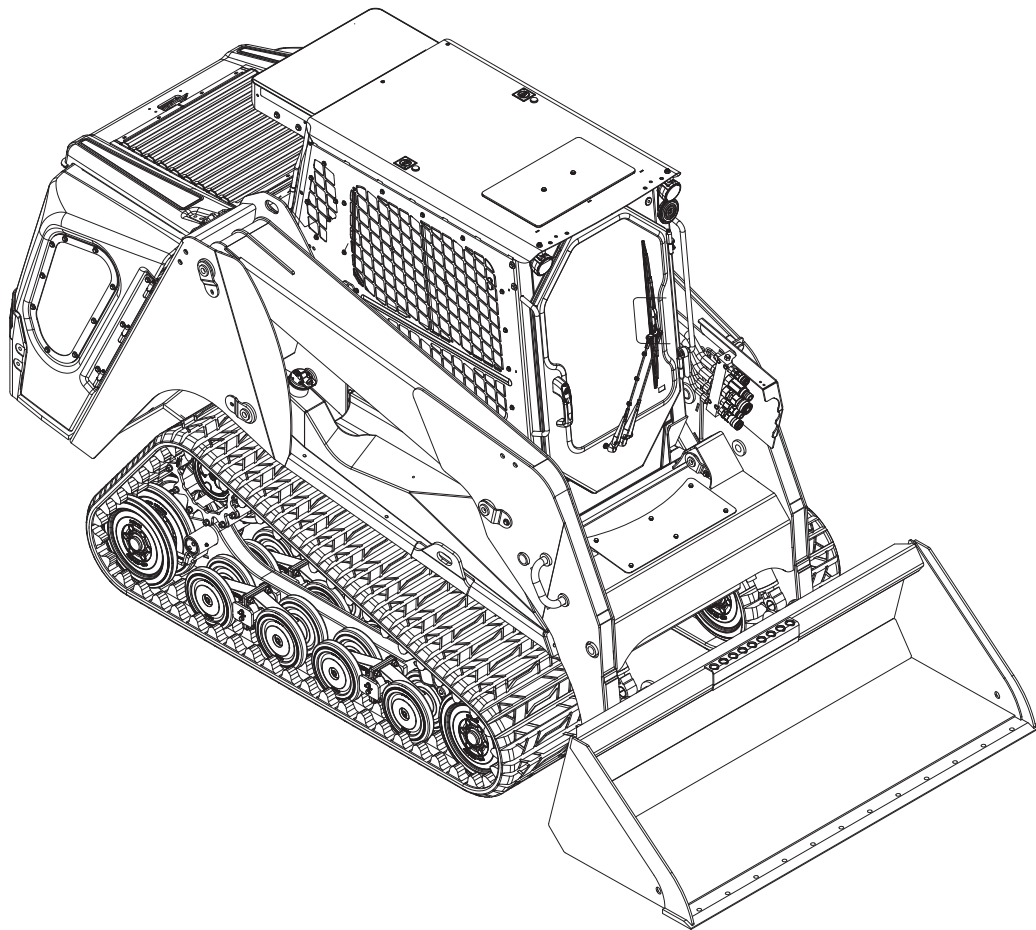


Master Parts Manual

Compact Track Loader



RT-120 / R350T
RT-120 / R350T FORESTRY

Part Number: 0404-763
Printed: 11/21/2019

Table of Contents

1. Service Parts
 - 1-1 General Service Items / Lubricants
 - 1-2 Cylinder Service Items
 - 1-3 Harnesses
2. Fuel / Engine
 - 2-1 Fuel Tank
 - 2-2 Engine
 - 2-3 Intake / Exhaust
 - 2-4 Cooling System
3. Hydraulic Components
 - 3-1 Hydraulic Filters
 - 3-2 Solenoid Blocks
 - 3-3 Hydraulic Reservoir
 - 3-4 Fan Control Manifold
 - 3-5 Fan Control Manifold (Forestry)
 - 3-6 Lift Arm Control Valve
 - 3-7 Lift Arm / Cylinder Assembly
 - 3-8 Lift Arm Tubes & Fittings
 - 3-9 Drive Pump / Auxiliary Pump
 - 3-10 Hydraulic Control
 - 3-11 Hydraulic Drive
4. Electrical
 - 4-1 Dash Switches
 - 4-2 Fuse Panel
 - 4-3 Harness / Battery
5. Undercarriage
 - 5-1 Torsion Axle
 - 5-2 Undercarriage Assembly, RT
 - 5-3 Undercarriage Assembly, LT
 - 5-4 Drive Table Assembly, RT
 - 5-5 Drive Table Assembly, LT
6. Mainframe
 - 6-1 Chassis
 - 6-2 Side & Upper Hood Assemblies
 - 6-3 Rear Door Assembly
7. Standard Cab
 - 7-1 Cab
 - 7-2 Cab Interior / Headliner
 - 7-3 Door / Windows
 - 7-4 Wiper Assembly
8. Forestry
 - 8-1 Forestry Guarding
 - 8-2 Forestry Cab
 - 8-3 Forestry Cab Interior
 - 8-4 Forestry Cab Door & Windows
 - 8-5 Forestry Wiper Assembly
9. HVAC Standard & Forestry Cabs
 - 9-1 HVAC (cab components)
 - 9-2 HVAC (engine components)
 - 9-3 Standard Cab Ductwork
 - 9-4 Forestry Cab Ductwork
10. Quick Attach Standard & Forestry
 - 10-1 Quick Attach- Hydraulic
11. Optional Equipment
 - 11-1 Seat / Seatbelt Options
 - 11-2 Poly Door (Does not apply to Forestry machines)
 - 11-3 LED External Lights
12. Graphics / Safety Decals
 - 12-1 ANSI Safety Decals
 - 12-2 ISO Safety Decals
 - 12-3 Machine Graphics (ASV)
 - 12-4 Machine Graphics (ASV Forestry)
 - 12-5 Machine Graphics (Terex)
 - 12-6 Machine Graphics (Terex Forestry)
13. Kits
 - 13-1 Kits

* Parts manuals are updated on a regular basis. Always refer to current online posted manuals to ensure you have the most current information prior to ordering parts.

NOTE: Ordering parts that are painted requires a specific part number format. Please refer to page II of this manual for paint code and ordering information.

Painted Service Parts

ordering guidelines

Compact Track and Skid Steer Loaders are available in various colors and nomenclatures (brands / model names). **Paint color needs to be specified when ordering painted components.** When ordering painted components, inform the support representative of the brand and model name of your machine before selecting the proper color from the list below. The support representative should be able to assist you in finding the correct one based on your machine's **VIN number**. This should help to identify the original machine configuration and nomenclature.

***Note:** Not all colors are available on all components. Available colors are limited to those considered “standard” on your particular machine and component(s). Please do not attempt to order non-standard colors for your machine as the order will not be fulfilled until corrected.

The color codes are to be referenced as a suffix to the part number of the component you are requesting, for example: 0000-000-GRN (indicating a green part).

The following is a list of available colors.

<u>Color</u>	<u>Color Code:</u>
BLACK	BLK (ALL MODELS)
YELLOW	YEY (ASV)
WHITE	WHT (TEREX)
GREEN	GRN (SUNBELT)
GRAY	GRY (TEE)
GRAY	GTG (SKID STEER WHEELS ONLY)
ORANGE	ORN (ASPLUNDH)

Chapter 1

Service parts

1-1 General Service Items / Lubricants 1-1A

1-2 Cylinder Service Items 1-2A

1-3 Harnesses 1-3A

Parts manuals are updated on a regular basis.

Always refer to current online posted manuals to ensure you have the most up to date information prior to ordering parts.

General Service Items and Lubricants

NOTE: Please refer to your Operators Manual for proper fluid usage and fluid capacity.

<u>ITEM</u>	<u>DESCRIPTION</u>	<u>PART NUMBER</u>
-Engine Oil Filter	RT-120 R350T Serial 00200-00244 00300-00338 Serial 00245-current 00339-current	3030-290 2097-017
-Primary Air Filter	Filter, Primary Air	3030-292
-Secondary Air Filter	Filter, Secondary Air	3030-293
-Fuel Filter	Filter, Fuel, Primary	3030-288
-Fuel / Water Separator Filter	Filter, Fuel, Secondary	3030-299
-Fan Belt		3030-297
-A/C Belt	Belt, Standard Belt, A/C	2096-378

Hydraulic Service Items

<u>ITEM</u>	<u>PART NUMBER</u>
-Hydraulic Charge Oil Filter	0404-161
-Hydraulic Auxiliary Oil Filter	2075-219
-Case Drain Oil Filter	2046-286

<u>O-RING</u>	<u>PART NUMBER</u>
-# 4, Flat Face Type	2055-196
-# 6, Flat Face Type	0310-285
-# 8, Flat Face Type	0310-286
-# 10, Flat Face Type	0310-287
-# 12, Flat Face Type	0310-288
-# 16, Flat Face Type	0310-289
-# 20, Flat Face Type	0310-290
-# 24, Flat Face Type	0201-479
-# 4, ORB Type	0314-366
-# 6, ORB Type	0310-619
-# 8, ORB Type	0307-353
-# 10, ORB Type	0310-620
-# 12, ORB Type	0310-621
-# 16, ORB Type	0307-354
-# 20, ORB Type	0310-832

Cylinder Service Items

Hydraulic Cylinders

- LH-Bucket/Tilt P/N: 2076-604 • LH-Q/A P/N: 2046-316
- RH-Bucket/Tilt P/N: 2076-603 • RH-Q/A P/N: 2046-317
- Lift-Arm P/N: 2076-605

<u>ITEM</u>	<u>MANUFACTURER/DESCRIPTION</u>	<u>PART NUMBER</u>
-Kit, Seal, Bucket/Tilt Cylinder	Fits Cylinder (P/N:2076-603/604)	0404-532
-Rod, Bucket/Tilt Cylinder	Fits Cylinder (P/N:2076-603/604)	2076-157
-End Gland, Bucket/Tilt Cylinder	Fits Cylinder (P/N:2076-603/604)	2076-617
-Nut, Bucket/Tilt Cylinder	Fits Cylinder (P/N:2076-603/604)	2030-656
-Kit, Seal, Lift Arm Cylinder	Fits Cylinder (P/N:2076-605)	0404-533
-Rod, Lift Arm Cylinder	Fits Cylinder (P/N:2076-605)	2076-156
-End Gland, Lift Arm Cylinder	Fits Cylinder (P/N:2076-605)	2076-621
-Nut, Lift Arm Cylinder	Fits Cylinder (P/N:2076-605)	2076-159
-Kit, Seal, Q/A Cylinder	Fits Cylinder (P/N:2046-316/317)	2076-292

Harnesses

<u>ITEM</u>	<u>LOCATION</u>	<u>PART NUMBER</u>
HARNESS AUX LOADER	LIFT ARM	7000-117
HARNESS FUEL SENDER	FUEL SENDING UNIT	2075-836
HARNESS IMPLEMENT VALVE	LIFT ARM CONTROL VALVE	2075-834
HARNESS MAIN CHASSIS	CHASSIS	2096-150
HARNESS TRANSMISSION	DRIVE PUMP	2075-835
HARNESS INCLINOMETER EXTENSION	Q/A (BUCKET POSITIONING)	2095-571
HARNESS CAB	CAB	2095-426
HARNESS AC CONDENSOR	A/C CONDENSOR	7011-184
HARNESS HORN EXTENSION	CAB	2096-934
CALIBRATION JUMPER	CONNECTION ON FUSE PANEL	2095-603
MODULE CAPACITOR/RESISTOR	MAIN HARNESS	2076-296
ASSEMBLY ALT.DIODE / RESISTOR	MAIN HARNESS	2096-173
HARNESS RADIO/HVAC	CAB	3000-775
POSITIVE BATTERY CABLE	BATTERY	2096-354
NEGATIVE BATTERY CABLE	BATTERY	2096-355
250 AMP HEATER RELAY CABLE	BATTERY	2096-505
INTAKE AIR HEATER CABLE	ENGINE	2096-927
GROUND STRAP	STARTER	2096-584
CABLE GROUND ALTERNATOR	STARTER / ALTERNATOR	2096-882
STARTER JUMPER	STARTER	2096-212
HYDRAULIC FAN HARNESS	COOLING PACKAGE	2096-504
MOTOR SENSOR EXT. HARNESS	UNDERCARRIAGE (until SN: 01148)	2076-586
MOTOR SENSOR EXT. HARNESS	UNDERCARRIAGE (from SN: 01149)	2097-140
TBAP JUMPER HARNESS	AIR FILTER HOUSING	2096-214
APEX JUMPER HARNESS	ENGINE	2096-883
FORESTRY WIPER HARNESS	FORESTRY DOOR	0403-999
BACKUP ALARM JUMPER HARNESS	REAR GRILL	2096-857
OPTIONAL LED LIGHT JUMPER HARNESS	CAB	3020-450

Chapter 2

Fuel/Engine

2-1 Fuel Tank

RT120 Serial # 00200-00810	2-1A
R350T Serial # 00300-00810	2-1A
RT120 Serial # 00811-01098	2-1B
R350T Serial # 00911-01098	2-1B
RT120 Serial # valid from - 01099	2-1C
R350T Serial # valid from - 01099	2-1C

2-2 Diesel Engine

RT120 Serial # valid from - 00200	2-2A
R350T Serial # valid from - 00300	2-2A

2-3 Intake / Exhaust

RT120 Serial # valid from - 00200	2-3A
R350T Serial # valid from - 00300	2-3A
RT120 Serial # valid from - 00264	2-3B
R350T Serial # valid from - 00354	2-3B

2-4 Cooling System

RT120 Serial # 00200 - 00827	2-4A
R350T Serial # 00300 - 00830	2-4A
RT120 Serial # 00831 - 01098	2-4B
R350T Serial # 00828 - 01098	2-4B
RT120 Serial # valid from - 01099	2-4C
R350T Serial # valid from - 01099	2-4C

Parts manuals are updated on a regular basis.

Always refer to current online posted manuals to ensure you have the most up to date information prior to ordering parts.

NOTE: Ordering parts that are painted requires a specific part number format. Please refer to page II of this manual for paint code and ordering information.

FUEL TANK ASSEMBLY

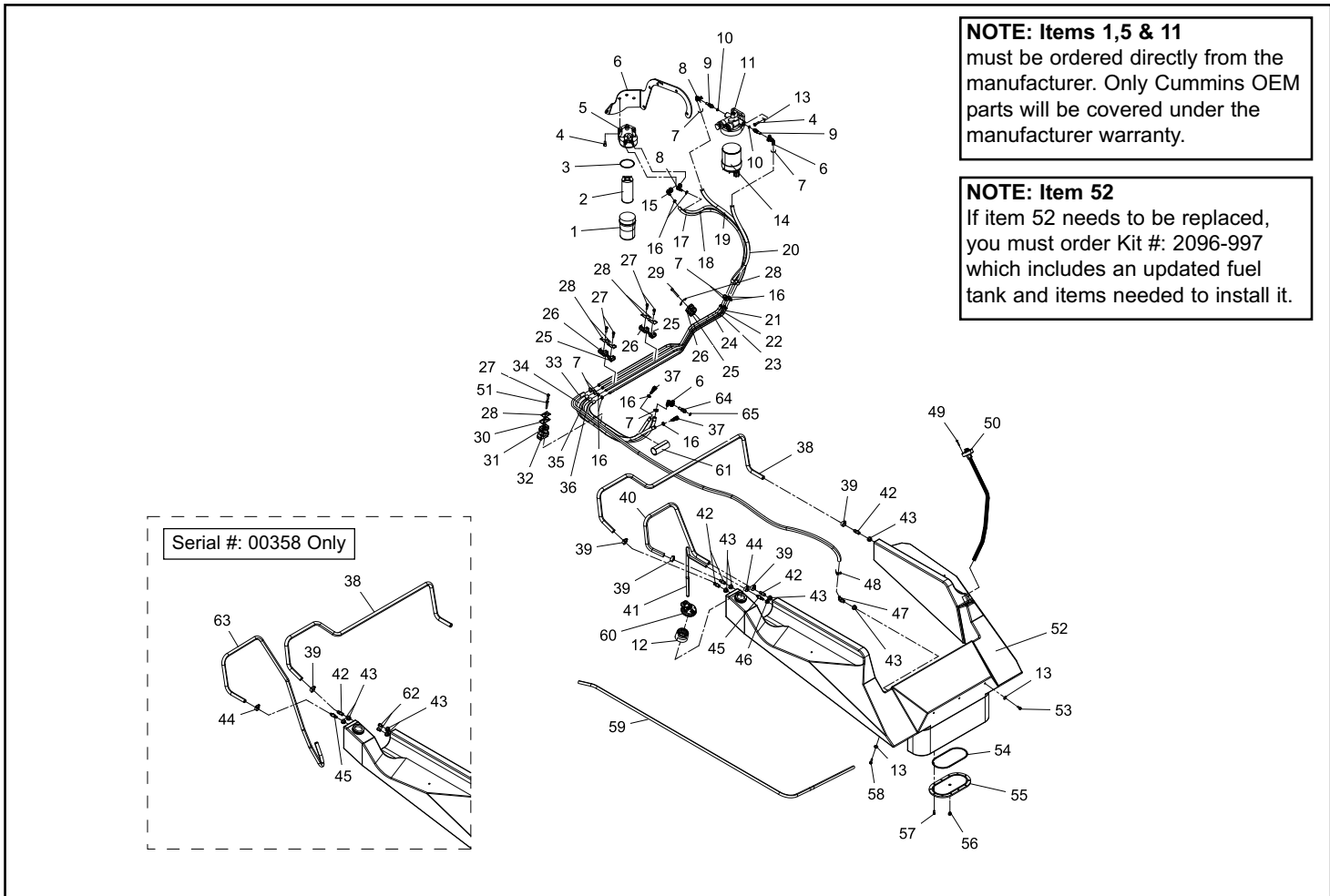
RT120 Serial #: 00200-00810

R350T Serial #: 00300-00810

Chapter 2

REF. NO.	PART NUMBER	QTY.	DESCRIPTION
1	SEE NOTE		
2	3030-288	1	FILTER FUEL PRIMARY
3	3030-373	1	O-RING, FILTER HEAD, CUMMINS
4	8102-224	5	CAPSCREW,HH,3/8-16UNCx1.25,GD8,ZN
5	SEE NOTE		
6	2096-829	1	MOUNT FILTER
7	0316-013	6	CLAMP 19.4 TO 22.6 MM STEPLESS EAR CLAMP
8	0316-012	2	FITTING QC FEMALE 12MM X 1/2 BARB, 90°
9	7012-211	2	FITTING M14-1.5 X 12MM
10	0316-009	2	O-RING 11.3MM X 2.2MM (NITRILE)
11	SEE NOTE		
12	2075-953	1	NECK FILLER FUEL ALUMINUM
13	8050-262	9	WASHER,WROUGHT,5/16,STD,ZN
14	3030-299	1	FILTER FUEL SECONDARY 3.8
15	0316-019	1	FITTING QC FEMALE 9.49MM X 3/8 BARB 90
16	0316-014	6	CLAMP 14.5 TO 17.0 MM STEPLESS EAR CLAMP
17	2096-518	1	HOSE, -6, 200 PSI, 33.58"
18	2096-517	1	HOSE, -6, 200 PSI, 32.22"
19	2096-516	1	HOSE, -8, 200 PSI, 33.13"
20	2096-515	1	HOSE, -8, 200 PSI, 24.38"
21	2096-513	1	TUBE, FROM PRIME FILTER TO PUMP
22	2096-514	1	TUBE, FROM PUMP TO PRIME FILTER
23	2096-512	1	TUBE, FROM WATER SEP TO PUMP
24	2096-510	1	TUBE, FUEL SUPPLY
25	0201-225	3	CLAMP,SET,T2038-PP
26	0310-583	3	CLAMP,SET,T2050-PP T2050-PP
27	8102-134	5	CAPSCREW,HH,5/16-18UNCx1.25GD8 ZN
28	0310-584	5	PLATE,COVER TCP-T2 TCP-T2
29	8102-138	1	CAPSCREW,HH,5/16-18 X 2.25 GD8
30	0310-828	1	COVER, CLAMP, 3/4" TCP-T3 BEHRINGER
31	0310-831	1	CLAMP, SET, T2062-PP BEHRINGER
32	0310-733	1	INSERT,CLAMP,TWIN.75" T3075-PP T3075-PP
33	2096-367	1	HOSE, -8, 200 PSI, 102.5"
34	2096-519	1	HOSE, -8, 200 PSI, 36.63"
35	2096-520	1	HOSE, -6, 200 PSI, 36.39"
36	2096-521	1	HOSE, -6, 200 PSI, 33.54"
37	0316-020	2	FITTING QC FEMALE 7.89MM X 3/8 BARB STRAIGHT
38	2095-324	1	HOSE VENT CROSS FUEL PHANTOM
39	0315-102	4	CLAMP, HOSE, #8
40	2095-325	1	HOSE VENT FUEL

REF. NO.	PART NUMBER	QTY.	DESCRIPTION
41	2096-853	1	ASSEMBLY, HOSE, FUEL RETURN
42	0090-250	4	ADAPTER DAPCO 1/2" STRAIGHT
43	2046-171	5	GROMMET RUBBER 5/8
44	0315-101	1	CLAMP, HOSE, #6
45	0090-685	1	ADAPTER
46	0090-249	1	GROMMET DAPCO 3/8" NITRILE
47	0090-102	1	ADAPTER INSERT 1/2" 90°
48	0315-103	1	CLAMP, HOSE, #10
49	0090-023	5	SCREW PH 10-32 x 1.25 ZN
50	2075-900	1	SENDER FUEL 3 TERM 0/5V
51	8102-137	1	CAPSCREW,HH,5/16-18UNCx2.0 GD8 ZN
52	SEE NOTE		
53	8102-130	3	CAPSCREW,HH 5/16-18x3/4,GR8
54	2075-691	1	O-RING FUEL TANK DASH 368
55	2075-692	1	CLEANOUT FUEL TANK
56	2010-130	1	PLUG ORING 9/16-18 ALLEN HEAD
57	8102-040	12	CAPSCREW,HH,1/4-20 UNCx.75,GD8 ZN
58	8102-134	4	CAPSCREW,HH,5/16-18UNCx1.25GD8 ZN
59	2096-847	1	HOSE RETURN FUEL TANK
60	2045-407	1	CAP FUEL GREEN
61	0090-699	1	WRAP 1.5"x 8.0"
62	2075-994	2	PLUG DAPCO .75"
63	2096-999	1	HOSE, -6, 200PSI, 72" FUEL RETURN
64	0316-003	1	FITTING QC M14-1.5 X 12.00MM
65	2095-407	1	WASHER BONDED SEAL 14MM



FUEL TANK ASSEMBLY

RT120 Serial #: 00811 - 01098

R350T Serial #: 00811 - 01098

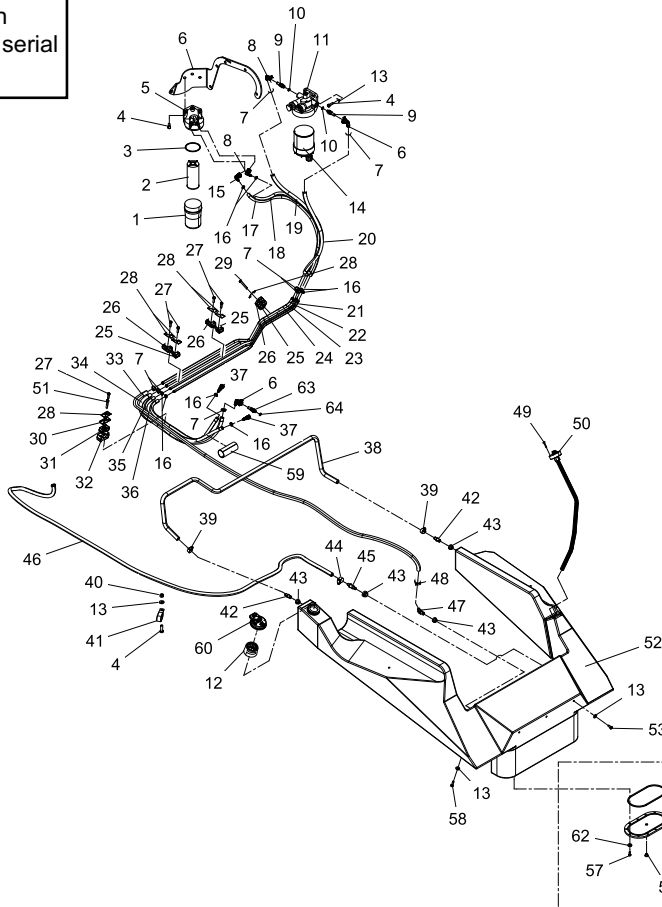
Chapter 2

REF. NO.	PART NUMBER	QTY.	DESCRIPTION
1	SEE NOTE		
2	3030-288	1	FILTER FUEL PRIMARY
3	3030-373	1	O-RING, FILTER HEAD, CUMMINS
4	8102-224	6	CAPSCREW,HH,3/8-16UNCx1.25,GD8,ZN
5	SEE NOTE		
6	2096-829	1	MOUNT FILTER
7	0316-013	6	CLAMP 19.4 TO 22.6 MM STEPLESS EAR CLAMP
8	0316-012	2	FITTING QC FEMALE 12MM X 1/2 BARB, 90°
9	7012-211	2	FITTING M14-1.5 X 12MM
10	0316-009	2	O-RING 11.3MM X 2.2MM (NITRILE)
11	SEE NOTE		
12	2075-953	1	NECK FILLER FUEL ALUMINUM
13	8050-262	10	WASHER,WROUGHT,5/16,STD,ZN
14	3030-299	1	FILTER FUEL SECONDARY 3.8
15	0316-019	1	FITTING QC FEMALE 9.49MM X 3/8 BARB 90
16	0316-014	6	CLAMP 14.5 TO 17.0 MM STEPLESS EAR CLAMP
17	2096-518	1	HOSE, -6, 200 PSI, 33.58"
18	2096-517	1	HOSE, -6, 200 PSI, 32.22"
19	2096-516	1	HOSE, -8, 200 PSI, 33.13"
20	2096-515	1	HOSE, -8, 200 PSI, 24.38"
21	2096-513	1	TUBE, FROM PRIME FILTER TO PUMP
22	2096-514	1	TUBE, FROM PUMP TO PRIME FILTER
23	2096-512	1	TUBE, FROM WATER SEP TO PUMP
24	2096-510	1	TUBE, FUEL SUPPLY
25	0201-225	3	CLAMP,SET,T2038-PP
26	0310-583	3	CLAMP,SET,T2050-PP T2050-PP
27	8102-134	5	CAPSCREW,HH,5/16-18UNCx1.25GD8 ZN
28	0310-584	5	PLATE,COVER TCP-T2 TCP-T2
29	8102-138	1	CAPSCREW,HH,5/16-18 X 2.25 GD8
30	0310-828	1	COVER, CLAMP, 3/4" TCP-T3 BEHRINGER
31	0310-831	1	CLAMP, SET, T2062-PP BEHRINGER
32	0310-733	1	INSERT,CLAMP,TWIN.75" T3075-PP T3075-PP
33	2096-367	1	HOSE, -8, 200 PSI, 102.5"
34	2096-519	1	HOSE, -8, 200 PSI, 36.63"
35	2096-520	1	HOSE, -6, 200 PSI, 36.39"
36	2096-521	1	HOSE, -6, 200 PSI, 33.54"
37	0316-020	2	FITTING QC FEMALE 7.89MM X 3/8 BARB STRAIGHT
38	2095-324	1	HOSE VENT CROSS FUEL PHANTOM
39	0315-102	4	CLAMP, HOSE, #8
40	8040-486	1	NUT,HEX,NYLOCK,3/8-16 UNC,ZN

REF. NO.	PART NUMBER	QTY.	DESCRIPTION
41	2045-661	1	CLAMP DOUBLE TUBE VINYL 13/16" KMC # CDV-1313
42	0090-250	2	ADAPTER DAPCO 1/2" STRAIGHT
43	2046-171	4	GROMMET RUBBER 5/8
44	0315-101	1	CLAMP, HOSE, #6
45	0090-685	1	ADAPTER
46	2097-015	1	HOSE, -6, 200 PSI, 100.5" FUEL RETURN
47	0090-102	1	ADAPTER INSERT 1/2" 90°
48	0315-103	1	CLAMP, HOSE, #10
49	0090-023	5	SCREW PH 10-32 x 1.25 ZN
50	2075-900	1	SENDER FUEL 3 TERM 0/5V
51	8102-137	1	CAPSCREW,HH,5/16-18UNCx2.0 GD8 ZN
52	SEE NOTE		
53	8102-130	3	CAPSCREW,HH 5/16-18x3/4,GR8
54	2075-691	1	O-RING FUEL TANK DASH 368 (SEE NOTE)
55	2075-692	1	CLEANOUT FUEL TANK (SEE NOTE)
56	2010-130	1	PLUG ORING 9/16-18 ALLEN HEAD (SEE NOTE)
57	8102-040	12	CAPSCREW,HH,1/4-20 UNCx.75,GD8 ZN (SEE NOTE)
58	8102-134	4	CAPSCREW,HH,5/16-18UNCx1.25GD8 ZN
59	0090-699	1	WRAP 1.5"x 8.0"
60	2045-407	1	CAP FUEL GREEN
61	2075-994	3	PLUG DAPCO .75"
62	8051-212	12	WASHER, SPRING LOCK, 1/4" ZN
63	0316-003	1	FITTING QC M14-1.5 X 12.00MM
64	2095-407	1	WASHER BONDED SEAL 14MM

NOTE: Items 54-57 & 62

These items are found only on machines up to and including serial number 00970.



NOTE: Items 1, 5 & 11

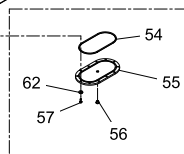
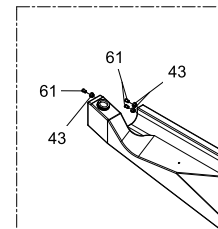
must be ordered directly from the manufacturer. Only Cummins OEM parts will be covered under the manufacturer warranty.

NOTE: Item 52

When replacing item 52, you must order part #:2097-041 (includes items: 42, 43, 45, 47 and 52).

NOTE: Item 43, 61

If your machine is equipped with plugs in the vent locations (right rear of the tank), replacement parts are items 43, 61 (shown below).



FUEL TANK ASSEMBLY

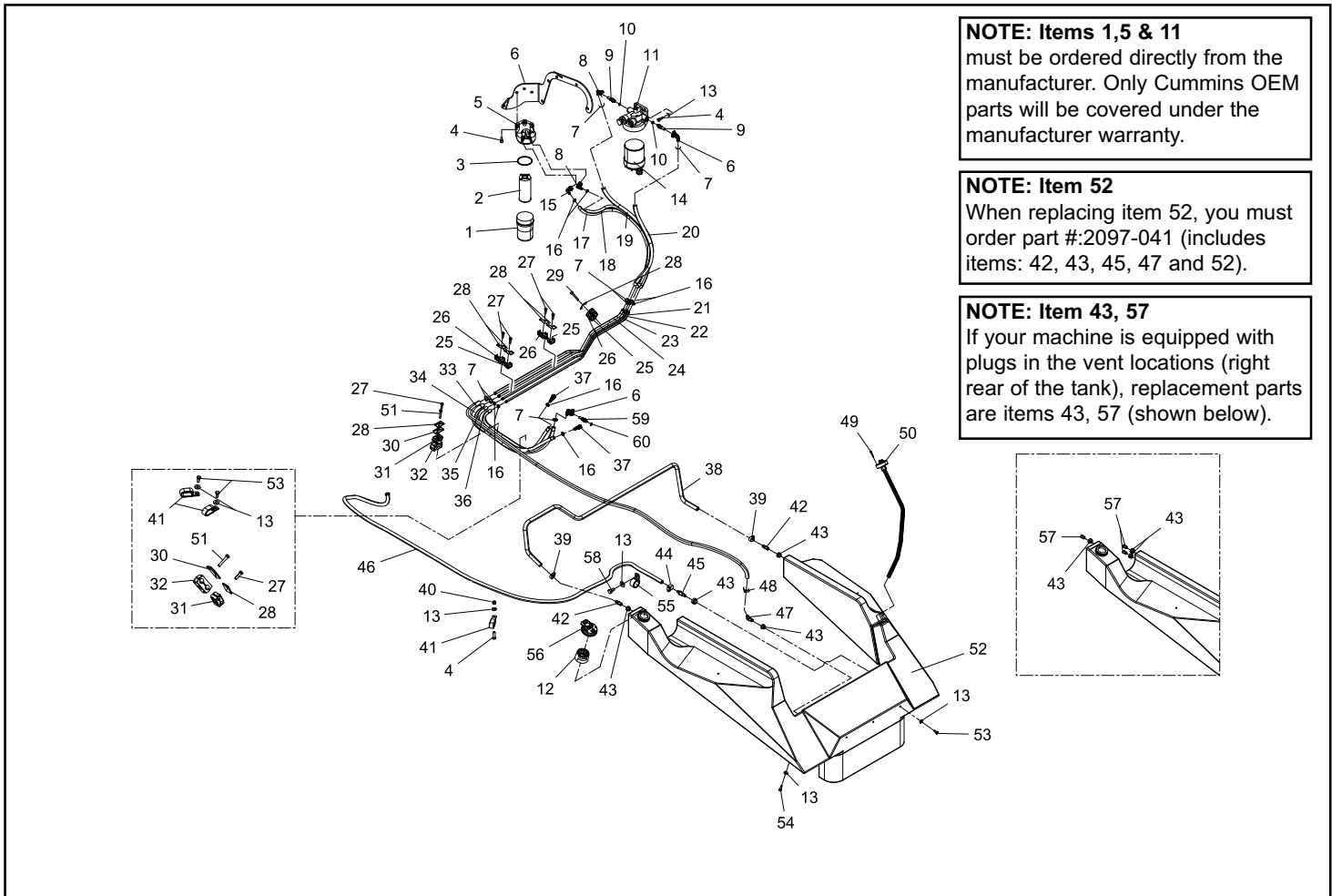
RT120 Serial #: valid from - 01099

R350T Serial #: valid from - 01099

Chapter 2

REF. NO.	PART NUMBER	QTY.	DESCRIPTION
1	SEE NOTE		
2	3030-288	1	FILTER FUEL PRIMARY
3	3030-373	1	O-RING, FILTER HEAD, CUMMINS
4	8102-224	6	CAPSCREW,HH,3/8-16UNCx1.25,GD8,ZN
5	SEE NOTE		
6	2096-829	1	MOUNT FILTER
7	0316-013	6	CLAMP 19.4 TO 22.6 MM STEPLESS EAR CLAMP
8	0316-012	2	FITTING QC FEMALE 12MM X 1/2 BARB, 90°
9	7012-211	2	FITTING M14-1.5 X 12MM
10	0316-009	2	O-RING 11.3MM X 2.2MM (NITRILE)
11	SEE NOTE		
12	2075-953	1	NECK FILLER FUEL ALUMINUM
13	8050-262	13	WASHER,WROUGHT,5/16,STD,ZN
14	3030-299	1	FILTER FUEL SECONDARY 3.8
15	0316-019	1	FITTING QC FEMALE 9.49MM X 3/8 BARB 90
16	0316-014	6	CLAMP 14.5 TO 17.0 MM STEPLESS EAR CLAMP
17	2096-518	1	HOSE, -6, 200 PSI, 33.58"
18	2096-517	1	HOSE, -6, 200 PSI, 32.22"
19	2096-516	1	HOSE, -8, 200 PSI, 33.13"
20	2096-515	1	HOSE, -8, 200 PSI, 24.38"
21	2096-513	1	TUBE, FROM PRIME FILTER TO PUMP
22	2096-514	1	TUBE, FROM PUMP TO PRIME FILTER
23	2096-512	1	TUBE, FROM WATER SEP TO PUMP
24	2096-510	1	TUBE, FUEL SUPPLY
25	0201-225	3	CLAMP,SET,T2038-PP
26	0310-583	3	CLAMP,SET,T2050-PP T2050-PP
27	8102-134	6	CAPSCREW,HH,5/16-18UNCx1.25GD8 ZN
28	0310-584	6	PLATE,COVER TCP-T2 TCP-T2
29	8102-138	1	CAPSCREW,HH,5/16-18 X 2.25 GD8
30	0310-828	2	COVER, CLAMP, 3/4" TCP-T3 BEHRINGER
31	0310-831	2	CLAMP, SET, T2062-PP BEHRINGER
32	0310-733	2	INSERT,CLAMP,TWIN.75" T3075-PP T3075-PP
33	2096-367	1	HOSE, -8, 200 PSI, 102.5"
34	2096-519	1	HOSE, -8, 200 PSI, 36.63"
35	2097-165	1	ASM, HOSE, -6, 200 PSI, 41.29"
36	2097-165	1	ASM, HOSE, -6, 200 PSI, 41.29"
37	0316-020	2	FITTING QC FEMALE 7.89MM X 3/8 BARB STRAIGHT
38	2095-324	1	HOSE VENT CROSS FUEL PHANTOM
39	0315-102	4	CLAMP, HOSE, #8
40	8040-486	1	NUT,HEX,NYLOCK,3/8-16 UNC,ZN

REF. NO.	PART NUMBER	QTY.	DESCRIPTION
41	2045-661	3	CLAMP DOUBLE TUBE VINYL 13/16" KMC # CDV-1313
42	0090-250	2	ADAPTER DAPCO 1/2" STRAIGHT
43	2046-171	4	GROMMET RUBBER 5/8
44	0315-101	1	CLAMP, HOSE, #6
45	0090-685	1	ADAPTER
46	2097-015	1	HOSE, -6, 200 PSI, 100.5" FUEL RETURN
47	0090-102	1	ADAPTER INSERT 1/2" 90°
48	0315-103	1	CLAMP, HOSE, #10
49	0090-023	5	SCREW PH 10-32 x 1.25 ZN
50	2075-900	1	SENDER FUEL 3 TERM 0/5V
51	8102-137	2	CAPSCREW,HH,5/16-18UNCx2.0 GD8 ZN
52	SEE NOTE		
53	8102-130	5	CAPSCREW,HH 5/16-18x3/4,GR8
54	8102-134	4	CAPSCREW,HH,5/16-18UNCx1.25GD8 ZN
55	0310-467	1	CLAMP,WIRE,1.0,RBC-1
56	2045-407	1	CAP FUEL GREEN
57	2075-994	3	PLUG DAPCO .75"
58	8102-220	1	CAPSCREW,HH,3/8-16x0.75",GD8
59	0316-003	1	FITTING QC M14-1.5 X 12.00MM
60	2095-407	1	WASHER BONDED SEAL 14MM



NOTE: Items 1, 5 & 11
must be ordered directly from the manufacturer. Only Cummins OEM parts will be covered under the manufacturer warranty.

NOTE: Item 52
When replacing item 52, you must order part #:2097-041 (includes items: 42, 43, 45, 47 and 52).

NOTE: Item 43, 57
If your machine is equipped with plugs in the vent locations (right rear of the tank), replacement parts are items 43, 57 (shown below).

ENGINE ASSEMBLY

RT120 Serial #: valid from - 00200

R350T Serial #: valid from - 00300

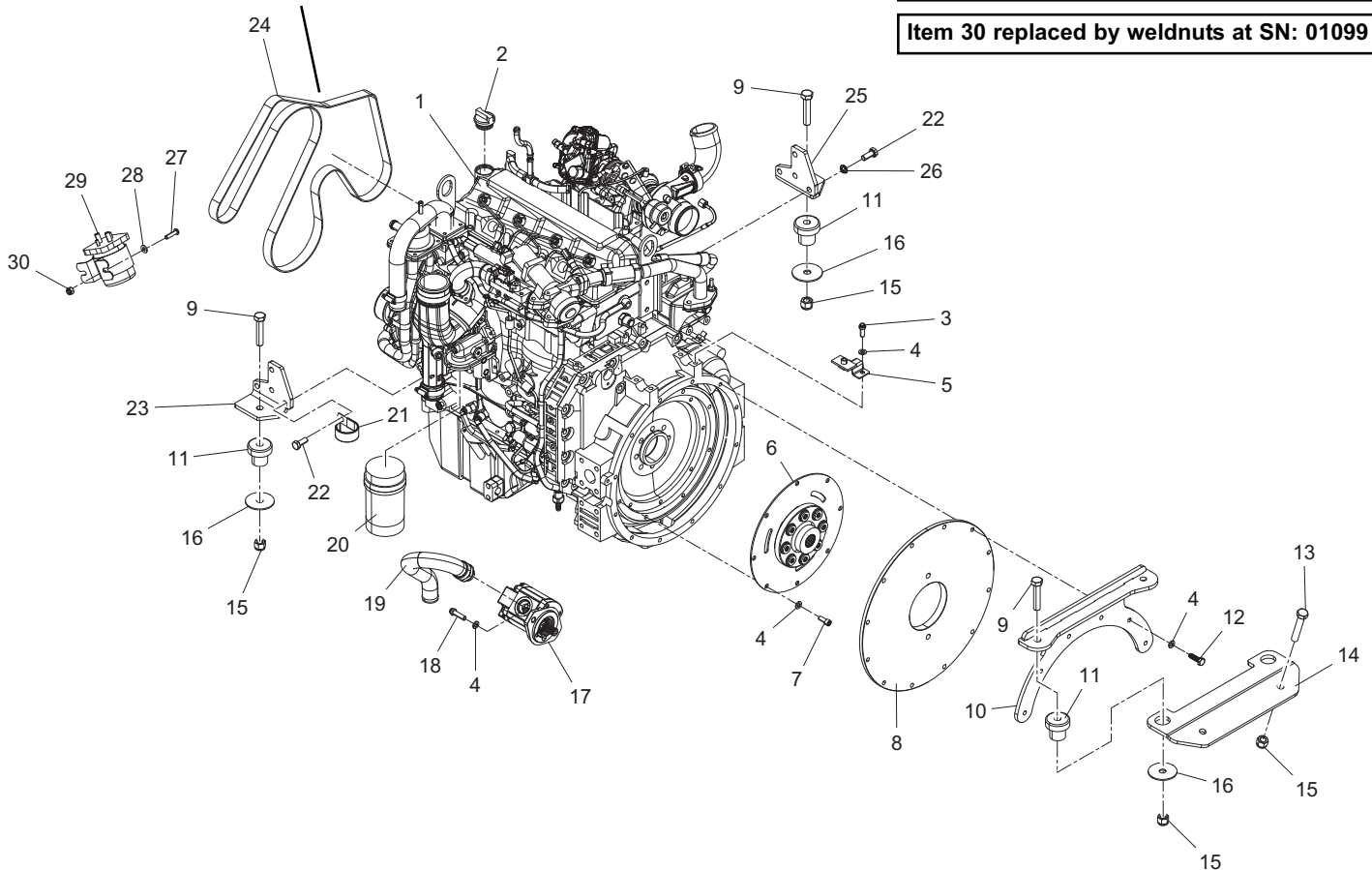
Chapter 2

REF. NO.	PART NUMBER	QTY.	DESCRIPTION	REF. NO.	PART NUMBER	QTY.	DESCRIPTION
1	2096-065	1	ENGINE CUMMINS QSF3.8T4F				
2	2096-914	1	CAP OIL FILL				
3	2045-458	4	CAPSCREW FERRY M10 x 1.5 x 25MM				
4	0090-104	20	WASHER .402 x .728 x .098 HARD				
5	2096-353	2	WLMT CLAMP HARNESS				
6	2095-239	1	COUPLER PUMP 21 TOOTH SPLINE				
7	2035-471	8	CAPSCREW SOC HD 3/8-16 x 1				
8	2096-238	1	PLATE PUMP FLAT SAE #3				
9	8102-561	4	CAPSCREW,HH,5/8-11UNCx3,GD8				
10	2096-600	1	WLMT MNT MOTOR FRONT				
11	0201-315	4	MOUNT,MOTOR,RUBBER				
12	0310-468	12	CAPSCREW,HH,M10x1.5x35,ZINC				
13	8102-593	2	CAPSCREW,HH,5/8-11UNCx3.50,GD8				
14	2096-196	1	WLMT MNT MOTOR FRONT				
15	8040-726	6	NUT,HEX,NYLOCK,5/8-11 UNC,ZN				
16	0201-409	4	WASHER,MNT,MOTOR				
17	2096-213	1	PUMP GEAR 19CC REAR PORT				
18	0090-684	2	CAPSCREW, FERRY, M10 x 1.5 x 35mm				
19	2096-543	1	TUBE INTAKE CHARGE				
20	---	1	FILTER OIL (See General Service Items Pg 1-1a)				
21	0090-616	1	J CLAMP 1 5/8"				
22	0090-421	8	CAPSCREW M12-1.75 x 30mm DIN 933 CLASS 8.8 ZINC				
23	2096-078	1	PLATE MNT ENGINE RR				
24	SEE NOTE						
25	2096-079	1	PLATE MNT ENGINE LR				
26	0201-574	8	WASHER,SPRING,LOCK,12MM				
27	0090-457	2	CAPSCREW 1/4-20 X 1" ZINC BUTTON SOCKET				
28	8050-157	2	WASHER,WROUGHT, #10 3/16,STD,ZN				
29	3000-601	1	RELAY 200 AMP INTAKE AIR HEATER				
30	8040-366	2	NUT,HEX,NYLOCK,1/4-20 UNC,ZN (SEE NOTE)				

NOTE: For belt information, please see page 1-1A

For kit information, please see page 13-1A

Item 30 replaced by weldnuts at SN: 01099



INTAKE / EXHAUST ASSEMBLY

RT120 Serial #: 00200 - 00263

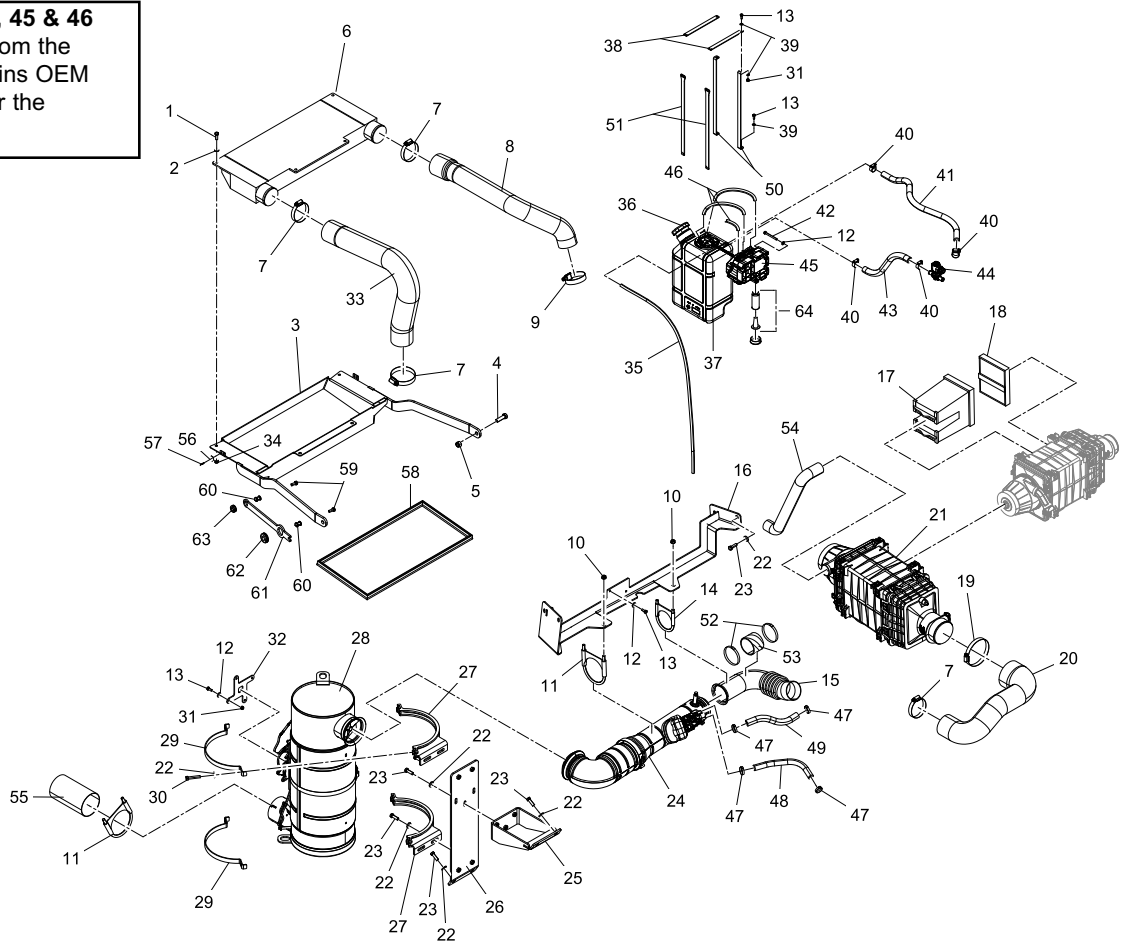
R350T Serial #: 00300 - 00353

Chapter 2

REF. NO.	PART NUMBER	QTY.	DESCRIPTION
1	8102-132	6	CAPSCREW,HH,5/16-18UNCx1.0 GD8 ,ZN
2	8050-247	6	WASHER,WROUGHT,5/16,SAE,ZN
3	2096-241	1	WLMT DAM CAC
4	8102-406	2	CAPSCREW,HH,1/2-13UNCx1.75,GD8
5	8040-606	2	NUT,HEX,NYLOCK,1/2-13 UNC,ZN
6	2096-094	1	COOLER CHARGE AIR
7	0315-155	4	CLAMP, SMART SEAL, #400
8	2096-139	1	HOSE CAC INTLET
9	0315-153	1	CLAMP, SMART SEAL, #325
10	0314-269	4	NUT,FLANGE,TOPLK,3/8-16UNC,GDG,ZN
11	2096-389	2	CLAMP, U-BOLT GUILLOTINE 4"
12	8050-222	6	WASHER,WROUGHT,1/4,STD,ZN
13	8102-040	8	CAPSCREW,HH,1/4-20 UNCx.75,GD8 ZN
14	2096-390	1	CLAMP, U-BOLT GUILLOTINE 3"
15	2096-397	1	WLMT, ELBOW EXHAUST FLEX
16	2096-295	1	WLMT BRKT DRT
17	3030-292	1	FILTER AIR PRIMARY
18	3030-293	1	FILTER AIR SECONDARY
19	2045-558	1	CLAMP HOSE 3.75X4.625
20	2096-172	1	TUBE INTAKE AIR
21	2096-391	1	CLEANER AIR ASSEMBLY
22	8050-262	17	WASHER,WROUGHT,5/16,STD,ZN
23	8102-224	17	CAPSCREW,HH,3/8-16UNCx1.25,GD8,ZN
24	SEE NOTE		
25	2096-257	1	WLMT BRKT SCR
26	2096-253	1	WLMT PLATE SCR
27	2096-444	2	WLMT A SCR
28	SEE NOTE		
29	2096-854	2	STRAP, SCR
30	8102-227	4	CAPSCREW,HH,3/8-16UNCx2.0 GD8
31	8040-366	6	NUT,HEX,NYLOCK,1/4-20 UNC,ZN
32	2096-698	1	PLATE MNT MODULE NOX
33	2096-138	1	HOSE CAC OUTLET
34	8040-426	6	NUT,HEX,NYLOCK,5/16-18 UNC,ZN
35	2096-874	1	HOSE VENT DEF
36	2096-915	1	CAP, FILLER DEF TANK
37	SEE NOTE		
38	2096-870	2	STRAP, DEF TANK TOP
39	8050-157	6	WASHER,WROUGHT, #10 3/16,STD,ZN
40	0315-102	4	CLAMP, HOSE, #8

REF. NO.	PART NUMBER	QTY.	DESCRIPTION
41	2096-656	1	HOSE HEATER PRESSURE
42	8102-143	3	CAPSCREW,HH,5/16-18UNC3.5,GD8
43	2096-658	1	HOSE HEATER DEF PRESSURE B
44	SEE NOTE		
45	SEE NOTE		
46	SEE NOTE		
47	0316-021	4	CLAMP, 16.6MM TO 19.8MM STEPLESS EAR
48	2096-663	1	HOSE COOLANT DRT RETURN
49	2096-662	1	HOSE COOLANT DRT PRESSURE
50	2096-871	2	STRAP, DEF TANK LH
51	2096-869	2	STRAP, DEF TANK RH
52	0090-350	2	CABLE TIE STAINLESS 20.5"
53	2096-906	1	WRAP EXHAUST 80"
54	2096-644	1	HOSE EJECTOR
55	2096-901	1	TAILPIPE
56	0403-977	2	KEEPER (Metal Retainer)
57	8060-728	4	RIVET,BLIND 3/16X.126-.250
58	2096-877	1	SEAL CAC
59	8102-130	2	CAPSCREW,HH 5/16-18x3/4,GR8
60	0403-137	2	DART DOOR FORESTRY
61	2096-863	1	ROP PROP CAC
62	0090-678	1	GROMMET, 5/8" ID X 1.25"
63	0090-048	1	GROMMET 1.0625 OD x 0.50 ID x 0.25
64	3030-295	1	FILTER DIESEL EXHAUST FLUID

NOTE: Items 24,28,37,44, 45 & 46 must be ordered directly from the manufacturer. Only Cummins OEM parts will be covered under the manufacturer warranty.



INTAKE / EXHAUST ASSEMBLY

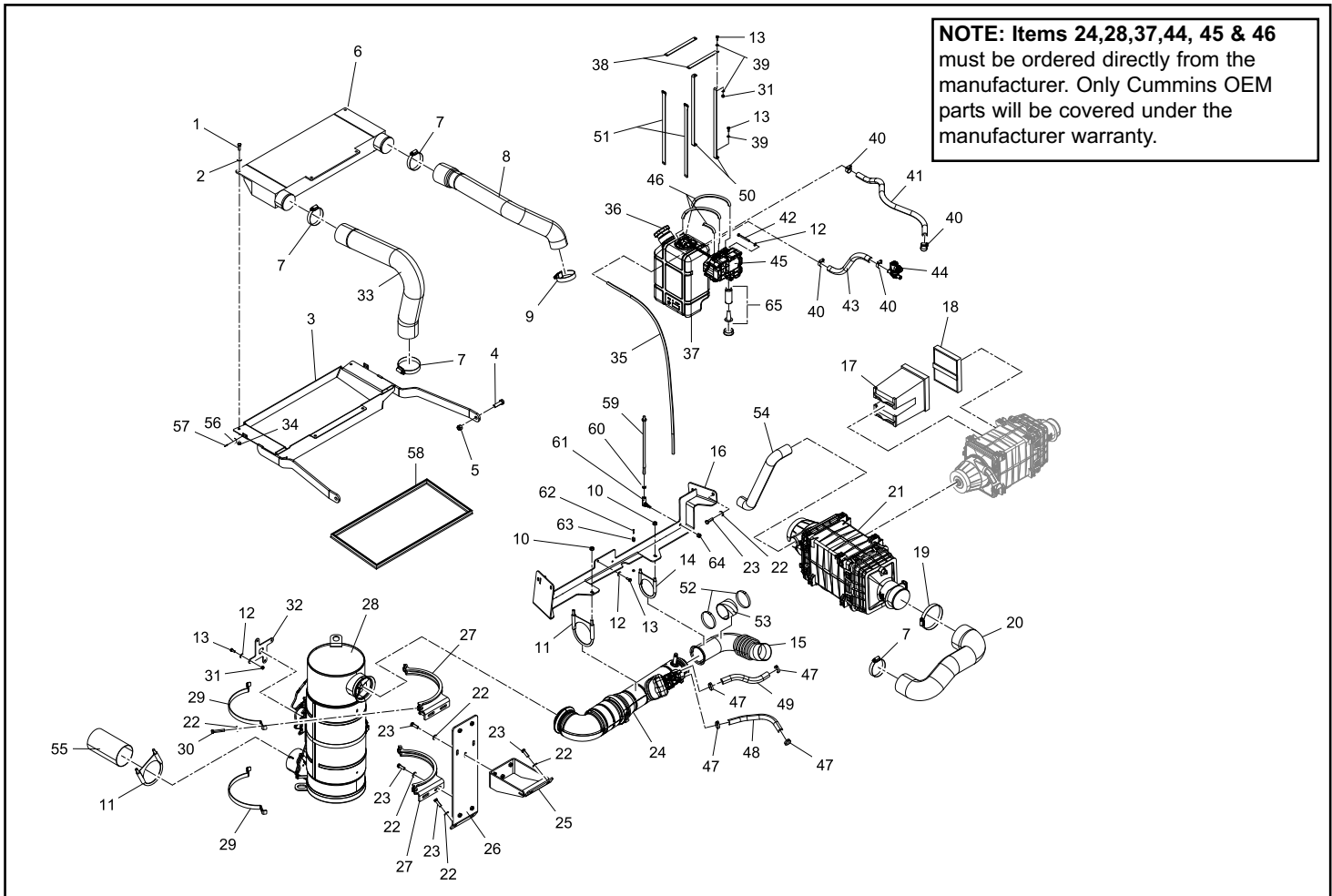
RT120 Serial #: valid from - 00264

R350T Serial #: valid from - 00354

Chapter 2

REF. NO.	PART NUMBER	QTY.	DESCRIPTION
1	8102-132	6	CAPSCREW,HH,5/16-18UNCx1.0 GD8 ,ZN
2	8050-247	6	WASHER,WROUGHT,5/16,SAE,ZN
3	2096-241	1	WLMT DAM CAC
4	8102-406	2	CAPSCREW,HH,1/2-13UNCx1.75,GD8
5	8040-606	2	NUT,HEX,NYLOCK,1/2-13 UNC,ZN
6	2096-094	1	COOLER CHARGE AIR
7	0315-155	4	CLAMP, SMART SEAL, #400
8	2096-139	1	HOSE CAC INTLET
9	0315-153	1	CLAMP, SMART SEAL, #325
10	0314-269	4	NUT,FLANGE,TOPLK,3/8-16UNC,GDG,ZN
11	2096-389	2	CLAMP, U-BOLT GUILLOTINE 4"
12	8050-222	6	WASHER,WROUGHT,1/4,STD,ZN
13	8102-040	8	CAPSCREW,HH,1/4-20 UNCx.75,GD8 ZN
14	2096-390	1	CLAMP, U-BOLT GUILLOTINE 3"
15	2096-397	1	WLMT, ELBOW EXHAUST FLEX
16	2096-295	1	WLMT BRKT DRT
17	3030-292	1	FILTER AIR PRIMARY
18	3030-293	1	FILTER AIR SECONDARY
19	2045-558	1	CLAMP HOSE 3.75X4.625
20	2096-172	1	TUBE INTAKE AIR
21	2096-391	1	CLEANER AIR ASSEMBLY
22	8050-262	17	WASHER,WROUGHT,5/16,STD,ZN
23	8102-224	17	CAPSCREW,HH,3/8-16UNCx1.25,GD8,ZN
24	SEE NOTE		
25	2096-257	1	WLMT BRKT SCR
26	2096-253	1	WLMT PLATE SCR
27	2096-444	2	WLMT A SCR
28	SEE NOTE		
29	2096-854	2	STRAP, SCR
30	8102-227	4	CAPSCREW,HH,3/8-16UNCx2.0 GD8
31	8040-366	6	NUT,HEX,NYLOCK,1/4-20 UNC,ZN
32	2096-698	1	PLATE MNT MODULE NOX
33	2096-138	1	HOSE CAC OUTLET
34	8040-426	6	NUT,HEX,NYLOCK,5/16-18 UNC,ZN
35	2096-874	1	HOSE VENT DEF
36	2096-915	1	CAP, FILLER DEF TANK
37	SEE NOTE		
38	2096-870	2	STRAP, DEF TANK TOP
39	8050-157	6	WASHER,WROUGHT, #10 3/16,STD,ZN
40	0315-102	4	CLAMP, HOSE, #8

REF. NO.	PART NUMBER	QTY.	DESCRIPTION
41	2096-656	1	HOSE HEATER PRESSURE
42	8102-143	3	CAPSCREW,HH,5/16-18UNC3.5,GD8
43	2096-658	1	HOSE HEATER DEF PRESSURE B
44	SEE NOTE		
45	SEE NOTE		
46	SEE NOTE		
47	0316-021	4	CLAMP, 16.6MM TO 19.8MM STEPLESS EAR
48	2096-663	1	HOSE COOLANT DRT RETURN
49	2096-662	1	HOSE COOLANT DRT PRESSURE
50	2096-871	2	STRAP, DEF TANK LH
51	2096-869	2	STRAP, DEF TANK RH
52	0090-350	2	CABLE TIE STAINLESS 20.5"
53	2096-906	1	WRAP EXHAUST 80"
54	2096-644	1	HOSE EJECTOR
55	2096-901	1	TAILPIPE
56	0403-977	2	KEEPER (Metal Retainer)
57	8060-728	4	RIVET,BLIND 3/16X.126-.250
58	2096-877	1	SEAL CAC
59	2096-933	1	WLMT, PROP ROD
60	0301-654	1	NUT,JAM,3/8-24 UNF
61	0090-707	1	BALL JOINT 3/8-24
62	0090-708	1	MACHINE SCREW #6-32 X 3/4" 6-LOBE DRIVE PAB
63	0090-706	1	ROD HOLDER, 3/16-3/8" DIA, NICKEL PLATED STL
64	8040-516	1	NUT,HEX,NYLOCK,3/8-24 UNF,ZN
65	3030-295	1	FILTER DIESEL EXHAUST FLUID



NOTE: Items 24,28,37,44, 45 & 46 must be ordered directly from the manufacturer. Only Cummins OEM parts will be covered under the manufacturer warranty.

RADIATOR / OIL COOLER

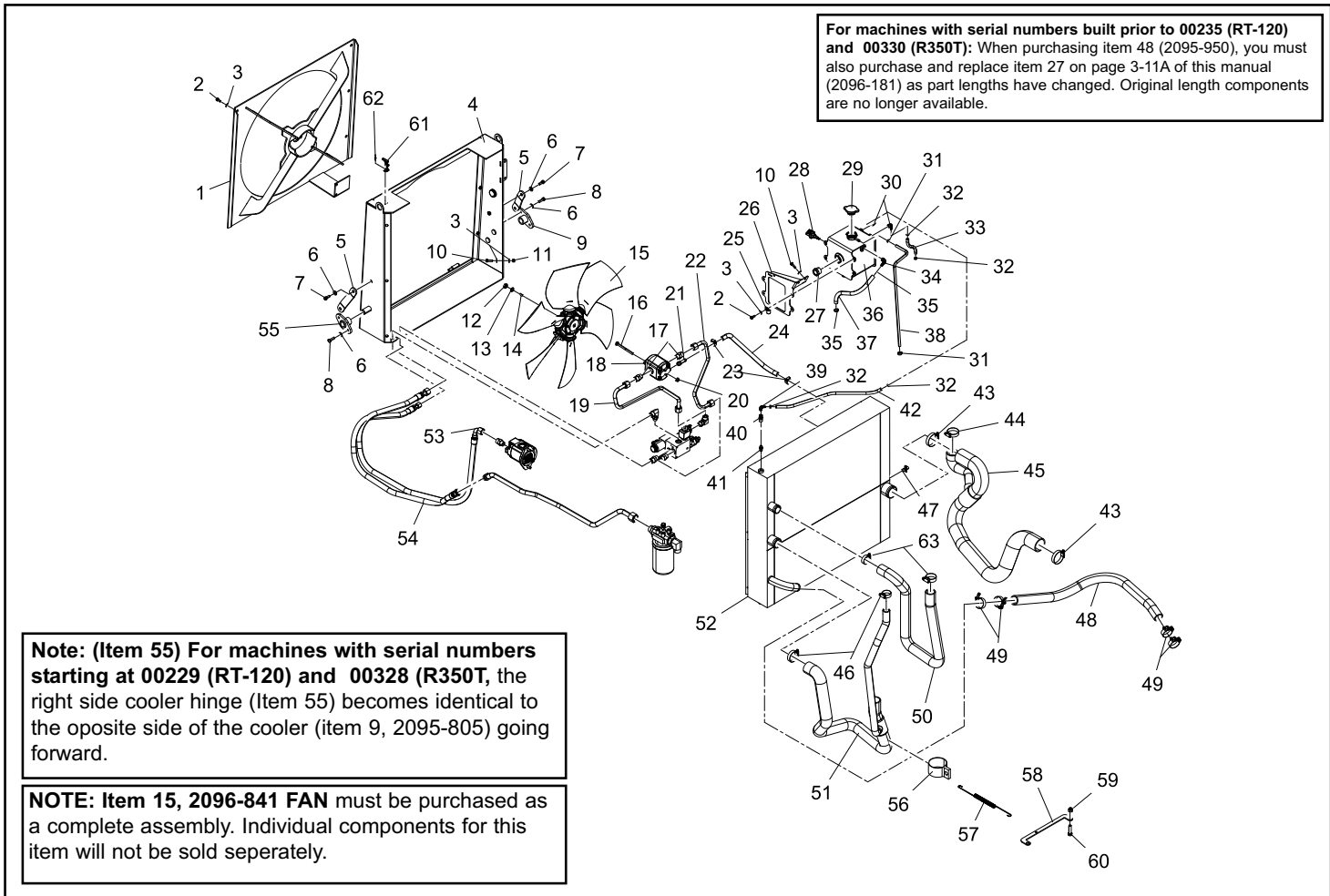
RT120 Serial #: 00200 - 00830

R350T Serial #: 00300 - 00827

Chapter 2

REF. NO.	PART NUMBER	QTY.	DESCRIPTION
1	2096-167	1	WLMT MNT FAN
2	8102-130	10	CAPSCREW,HH,5/16-18x3/4,GR8
3	8050-222	24	WASHER,WROUGHT,1/4,STD,ZN
4	2096-095	1	WLMT FRAME COOLER
5	2096-464	2	WLMT BRKT COOLER
6	8050-262	8	WASHER,WROUGHT,5/16,STD,ZN
7	8102-222	4	CAPSCREW,HH,3/8-16 UNCx1.0,GD8,ZN
8	8102-224	4	CAPSCREW,HH,3/8-16UNCx1.25,GD8,ZN
9	2095-805	1	WLMT HINGE COOLER
10	8102-132	6	CAPSCREW,HH,5/16-18UNCx1.0 GD8 ,ZN
11	8040-426	6	NUT,HEX,NYLOCK,5/16-18 UNC,ZN
12	0090-484	1	NUT M12x1.5x6MM
13	0201-574	1	WASHER,SPRING,LOCK,12MM
14	2096-900	1	KEY WOODRUFF DIN 6888 3MM X 5MM X 13MM
15	2096-841	1	FAN, 28" 34 DEGREE (SEE NOTE)
16	2095-394	2	BOLT CARRAIGE 3/8-16 x 4.5 GRADE 8 NOTCHED
17	0310-318	2	ADAPTER,10MFFOR-10MB
18	2095-021	1	MOTOR FAN 16CC
19	2096-162	1	TUBE FAN REVERSE
20	0314-269	2	NUT,FLANGE,TOPLK,3/8-16UNC,GDG,ZN
21	0090-467	1	ADAPTER 4604-08-06-0
22	2096-161	1	TUBE FAN FORWARD
23	0315-102	2	CLAMP, HOSE, #8
24	2096-872	1	HOSE, 1/2" ID
25	0310-464	1	CLAMP,WIRE,1/2 RBC-1/2
26	2096-422	1	WLMT MNT TANK COOLANT
27	0090-658	1	EXPANSION TANK SIGHT GLASS
28	3000-623	1	SENSOR COOLANT LEVEL
29	0304-458	1	CAP,RADIATOR
30	0090-612	2	1/4" HOSE x 1/4" MALE NPT BRASS 90° ELBOW BARB
31	0304-800	1	CLAMP,OVER FLOW,COOLANT
32	0316-015	4	CLAMP 10.8 TO 13.3 MM STEPLESS EAR CLAMP
33	2096-648	1	HOSE VENT COOLANT
34	0090-510	1	ADAPTER 3/8x 1/4" HOSE x NPT 90 ELBOW MALE HOSE
35	0316-021	2	CLAMP, 16.6MM TO 19.8MM STEPLESS EAR
36	3020-026	1	WLMT TANK FLOW OVER
37	2096-652	1	HOSE
38	3030-329	1	HOSE,CLEAR,POLY VINYL CHLORIDE,5/16 ID
39	0090-677	1	1/4" Hose x 1/8" NPT 90 ELBOW Male Hose Barb
40	0315-118	1	ADAPTOR, 1/4 TO 3/8" HOSE

REF. NO.	PART NUMBER	QTY.	DESCRIPTION
41	0315-116	1	ADAPTOR, 1/4 VALVE 1/4-18 NPT
42	2096-653	1	HOSE VENT RADIATOR
43	0303-175	2	HOSE,CLAMP,2.75,HI-TORQUE
44	0315-151	1	CLAMP, SMART SEAL, #275
45	2096-171	1	HOSE RETURN COOLER
46	0315-151	2	CLAMP, SMART SEAL, #275
47	3030-351	1	PETCOCK
48	2095-950	1	HOSE RETURN COOLER 37" (SEE NOTE IN ILLUSTRATION)
49	0315-150	4	CLAMP, SMART SEAL, #238
50	2096-144	1	HOSE RADIATOR UPPER
51	2096-143	1	HOSE RADIATOR LOWER
52	2096-093	1	COOLER
53	2096-365	1	HOSE, -10, 3300PSI, FFX-10-08, FFX90-10-10 62.4"
54	2096-366	1	HOSE, -10, 3300PSI, FFX-10-08, FFX-10-10 54"
55	2096-879	1	WLMT HINGE COOLER SHORT (see note)
56	7012-336	1	STRAP PYTHON 2.3-2.5"
57	2096-930	1	SPRING 6" x 11"
58	2096-897	1	BRACKET SPRING
59	8102-225	2	CAPSCREW,HH,3/8-16 UNCx1.5,GD8,ZN
60	8040-486	2	NUT,HEX,NYLOCK,3/8-16 UNC,ZN
61	0403-978	2	HANDLE T RUBBER
62	8060-728	4	RIVET,BLIND 3/16X.126-.250
63	0315-150	2	CLAMP, SMART SEAL, #238



RADIATOR / OIL COOLER

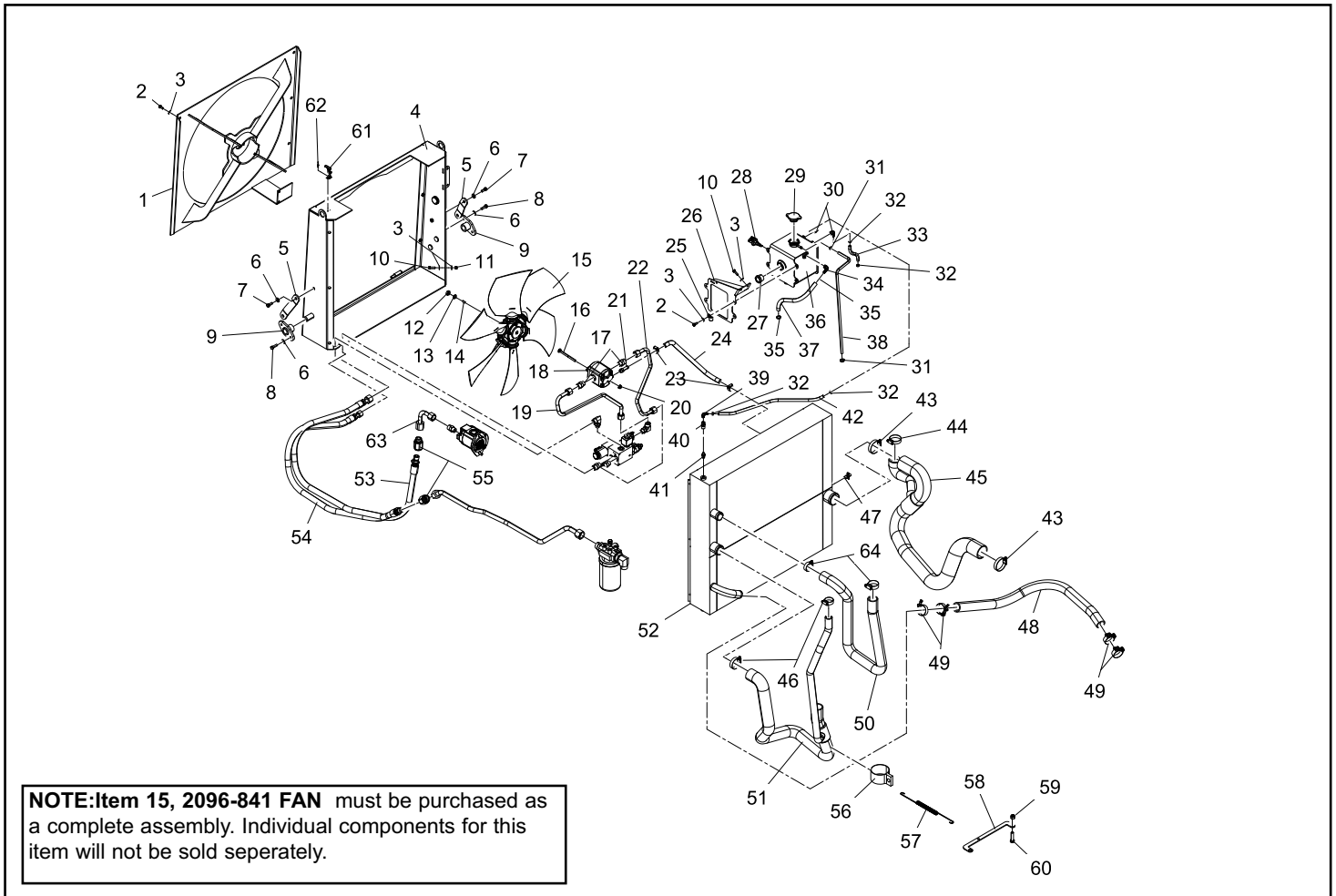
RT120 Serial #: 00831 - 01098

R350T Serial #: 00828 - 01098

Chapter 2

REF. NO.	PART NUMBER	QTY.	DESCRIPTION
1	2096-167	1	WLMT MNT FAN
2	8102-130	10	CAPSCREW,HH,5/16-18x3/4,GR8
3	8050-222	24	WASHER,WROUGHT,1/4,STD,ZN
4	2096-095	1	WLMT FRAME COOLER
5	2096-464	2	WLMT BRKT COOLER
6	8050-262	8	WASHER,WROUGHT,5/16,STD,ZN
7	8102-222	4	CAPSCREW,HH,3/8-16 UNCx1.0,GD8,ZN
8	8102-224	4	CAPSCREW,HH,3/8-16UNCx1.25,GD8,ZN
9	2095-805	2	WLMT HINGE COOLER
10	8102-132	6	CAPSCREW,HH,5/16-18UNCx1.0 GD8 ,ZN
11	8040-426	6	NUT,HEX,NYLOCK,5/16-18 UNC,ZN
12	0090-484	1	NUT M12x1.5x6MM
13	0201-574	1	WASHER,SPRING,LOCK,12MM
14	2096-900	1	KEY WOODRUFF DIN 6888 3MM X 5MM X 13MM
15	2096-841	1	FAN, 28" 34 DEGREE (SEE NOTE)
16	2095-394	2	BOLT CARRAIGE 3/8-16 x 4.5 GRADE 8 NOTCHED
17	0310-318	2	ADAPTER,10MFFOR-10MB
18	2095-021	1	MOTOR FAN 16CC
19	2096-162	1	TUBE FAN REVERSE
20	0314-269	2	NUT,FLANGE,TOPLK,3/8-16UNC,GDG,ZN
21	0090-467	1	ADAPTER 4604-08-06-0
22	2096-161	1	TUBE FAN FORWARD
23	0315-102	2	CLAMP, HOSE, #8
24	2096-872	1	HOSE, 1/2" ID
25	0310-464	1	CLAMP,WIRE,1/2 RBC-1/2
26	2096-422	1	WLMT MNT TANK COOLANT
27	0090-658	1	EXPANSION TANK SIGHT GLASS
28	3000-623	1	SENSOR COOLANT LEVEL
29	0304-458	1	CAP,RADIATOR
30	0090-612	2	1/4" HOSE x 1/4" MALE NPT BRASS 90° ELBOW BARB
31	0304-800	1	CLAMP,OVER FLOW,COOLANT
32	0316-015	4	CLAMP 10.8 TO 13.3 MM STEPLESS EAR CLAMP
33	2096-648	1	HOSE VENT COOLANT
34	0090-510	1	ADAPTER 3/8x 1/4" HOSE x NPT 90 ELBOW MALE HOSE
35	0316-021	2	CLAMP, 16.6MM TO 19.8MM STEPLESS EAR
36	3020-026	1	WLMT TANK FLOW OVER
37	2096-652	1	HOSE
38	3030-329	1	HOSE,CLEAR,POLY VINYL CHLORIDE,5/16 ID
39	0090-677	1	1/4" Hose x 1/8" NPT 90 ELBOW Male Hose Barb
40	0315-118	1	ADAPTOR, 1/4 TO 3/8" HOSE

REF. NO.	PART NUMBER	QTY.	DESCRIPTION
41	0315-116	1	ADAPTOR, 1/4 VALVE 1/4-18 NPT
42	2096-653	1	HOSE VENT RADIATOR
43	0303-175	2	HOSE,CLAMP,2.75,HI-TORQUE
44	0315-151	1	CLAMP, SMART SEAL, #275
45	2096-171	1	HOSE RETURN COOLER
46	0315-151	2	CLAMP, SMART SEAL, #275
47	3030-351	1	PETCOCK
48	2095-950	1	HOSE RETURN COOLER 37" (SEE NOTE IN ILLUSTRATION)
49	0315-150	4	CLAMP, SMART SEAL, #238
50	2096-144	1	HOSE RADIATOR UPPER
51	2096-143	1	HOSE RADIATOR LOWER
52	2096-093	1	COOLER
53	2096-938	1	HOSE, -10, 3300 PSI, FFX-10-10, 12-10 CEJN, 61.18"
54	2096-939	1	HOSE, -10, 3300 PSI, FFX-10-08, 12-10 CEJN, 48.79"
55	0315-126	2	ADAPTOR, 12MBOR, -12 WEO FEMALE 14 826 1217
56	7012-336	1	STRAP PYTHON 2.3-2.5"
57	2096-930	1	SPRING 6" x 11"
58	2096-897	1	BRACKET SPRING
59	8102-225	2	CAPSCREW,HH,3/8-16 UNCx1.5,GD8,ZN
60	8040-486	2	NUT,HEX,NYLOCK,3/8-16 UNC,ZN
61	0403-978	2	HANDLE T RUBBER
62	8060-728	4	RIVET,BLIND 3/16X.126-.250
63	2096-937	1	ELBOW PUSH CHARGE
64	0315-150	2	CLAMP, SMART SEAL, #238



RADIATOR / OIL COOLER

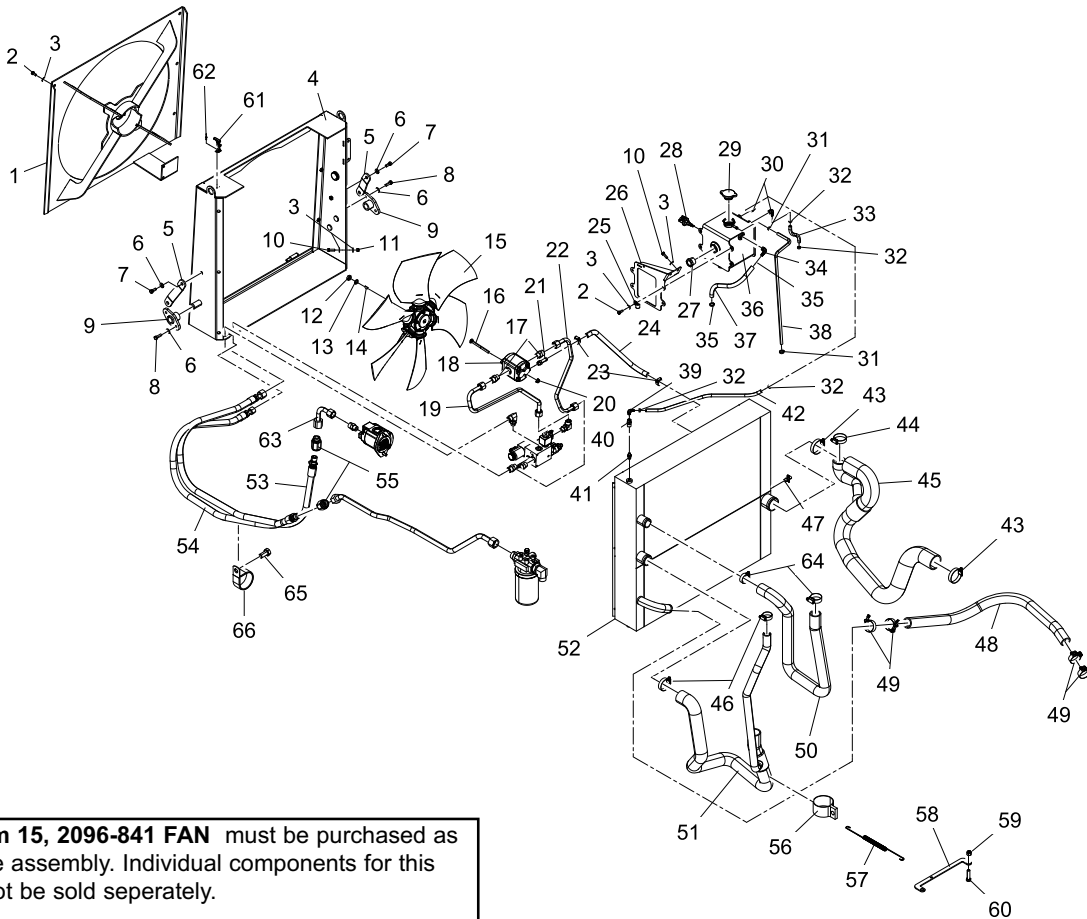
RT120 Serial #: valid from - 01099

R350T Serial #: valid from - 01099

Chapter 2

REF. NO.	PART NUMBER	QTY.	DESCRIPTION
1	2096-167	1	WLMT MNT FAN
2	8102-130	10	CAPSCREW,HH,5/16-18x3/4,GR8
3	8050-222	24	WASHER,WROUGHT,1/4,STD,ZN
4	2096-095	1	WLMT FRAME COOLER
5	2096-464	2	WLMT BRKT COOLER
6	8050-262	8	WASHER,WROUGHT,5/16,STD,ZN
7	8102-222	4	CAPSCREW,HH,3/8-16 UNCx1.0,GD8,ZN
8	8102-224	4	CAPSCREW,HH,3/8-16UNCx1.25,GD8,ZN
9	2095-805	2	WLMT HINGE COOLER
10	8102-132	6	CAPSCREW,HH,5/16-18UNCx1.0 GD8 ,ZN
11	8040-426	6	NUT,HEX,NYLOCK,5/16-18 UNC,ZN
12	0090-484	1	NUT M12x1.5x6MM
13	0201-574	1	WASHER,SPRING,LOCK,12MM
14	2096-900	1	KEY WOODRUFF DIN 6888 3MM X 5MM X 13MM
15	2096-841	1	FAN, 28" 34 DEGREE (SEE NOTE)
16	2095-394	2	BOLT CARRAIGE 3/8-16 x 4.5 GRADE 8 NOTCHED
17	0310-318	2	ADAPTER,10MFFOR-10MB
18	2095-021	1	MOTOR FAN 16CC
19	2096-162	1	TUBE FAN REVERSE
20	0314-269	2	NUT,FLANGE,TOPLK,3/8-16UNC,GDG,ZN
21	0090-467	1	ADAPTER 4604-08-06-0
22	2096-161	1	TUBE FAN FORWARD
23	0315-102	2	CLAMP, HOSE, #8
24	2096-872	1	HOSE, 1/2" ID
25	0310-464	1	CLAMP,WIRE,1/2 RBC-1/2
26	2096-422	1	WLMT MNT TANK COOLANT
27	0090-658	1	EXPANSION TANK SIGHT GLASS
28	3000-623	1	SENSOR COOLANT LEVEL
29	0304-458	1	CAP,RADIATOR
30	0090-612	2	1/4" HOSE x 1/4" MALE NPT BRASS 90° ELBOW BARB
31	0304-800	1	CLAMP,OVER FLOW,COOLANT
32	0316-015	4	CLAMP 10.8 TO 13.3 MM STEPLESS EAR CLAMP
33	2096-648	1	HOSE VENT COOLANT
34	0090-510	1	ADAPTER 3/8x 1/4" HOSE x NPT 90 ELBOW MALE HOSE
35	0316-021	2	CLAMP, 16.6MM TO 19.8MM STEPLESS EAR
36	3020-026	1	WLMT TANK FLOW OVER
37	2096-652	1	HOSE
38	3030-329	1	HOSE,CLEAR,POLY VINYL CHLORIDE,5/16 ID
39	0090-677	1	1/4" Hose x 1/8" NPT 90 ELBOW Male Hose Barb
40	0315-118	1	ADAPTOR, 1/4 TO 3/8" HOSE

REF. NO.	PART NUMBER	QTY.	DESCRIPTION
41	0315-116	1	ADAPTOR, 1/4 VALVE 1/4-18 NPT
42	2096-653	1	HOSE VENT RADIATOR
43	0303-175	2	HOSE,CLAMP,2.75,HI-TORQUE
44	0315-151	1	CLAMP, SMART SEAL, #275
45	2096-171	1	HOSE RETURN COOLER
46	0315-151	2	CLAMP, SMART SEAL, #275
47	3030-351	1	PETCOCK
48	2095-950	1	HOSE RETURN COOLER 37" (SEE NOTE IN ILLUSTRATION)
49	0315-150	4	CLAMP, SMART SEAL, #238
50	2096-144	1	HOSE RADIATOR UPPER
51	2096-143	1	HOSE RADIATOR LOWER
52	2096-093	1	COOLER
53	2096-938	1	HOSE, -10, 3300 PSI, FFX-10-10, 12-10 CEJN, 61.18"
54	2096-939	1	HOSE, -10, 3300 PSI, FFX-10-08, 12-10 CEJN, 48.79"
55	0315-126	2	ADAPTOR, 12MBOR, -12 WEO FEMALE 14 826 1217
56	7012-336	1	STRAP PYTHON 2.3-2.5"
57	2096-930	1	SPRING 6" x 11"
58	2096-897	1	BRACKET SPRING
59	8102-225	2	CAPSCREW,HH,3/8-16 UNCx1.5,GD8,ZN
60	8040-486	2	NUT,HEX,NYLOCK,3/8-16 UNC,ZN
61	0403-978	2	HANDLE T RUBBER
62	8060-728	4	RIVET,BLIND 3/16X.126-.250
63	2096-937	1	ELBOW PUSH CHARGE
64	0315-150	2	CLAMP, SMART SEAL, #238
65	8102-402	1	CAPSCREW,HH 1/2-13 UNCx1.0 GD8
66	0090-733	1	CLAMP, P, 2.25"



NOTE:Item 15, 2096-841 FAN must be purchased as a complete assembly. Individual components for this item will not be sold seperately.

Chapter 3

Hydraulic Components

3-1 Hydraulic Filters

RT120 Serial # valid from - 00200 **3-1A**

R350T Serial # valid from - 00300 **3-1A**

3-2 Solenoid Blocks

RT120 Serial # valid from - 00200 **3-2A**

R350T Serial # valid from - 00300 **3-2A**

3-3 Hydraulic Reservoir

RT120 Serial # valid from - 00200 **3-3A**

R350T Serial # valid from - 00300 **3-3A**

RT120 Serial # valid from - 00241 **3-3B**

R350T Serial # valid from - 00336 **3-3B**

3-4 Fan Control Manifold

RT120 Serial # valid from - 00200 **3-4A**

R350T Serial # valid from - 00300 **3-4A**

3-5 Fan Control Manifold (Forestry)

RT120 Serial # valid from - 00200 **3-5A**

R350T Serial # valid from - 00300 **3-5A**

3-6 Lift Arm Control Valve

RT120 Serial # valid from - 00200 **3-6A**

R350T Serial # valid from - 00300 **3-6A**

3-7 Lift Arm / Cylinder Assembly

RT120 Serial # 00200 - 01098 **3-7A**

R350T Serial # 00300 - 01098 **3-7A**

RT120 Serial # valid from - 01099 **3-7B**

R350T Serial # valid from - 01099 **3-7B**

3-8 Lift Arm Tubes and Fittings

RT120 Serial # 00200 - 01098 **3-8A**

R350T Serial # 00300 - 01098 **3-8A**

RT120 Serial # valid from - 01099 **3-8B**

R350T Serial # valid from - 01099 **3-8B**

3-9 Drive Pump / Auxiliary Pump

RT120 Serial # valid from - 00200 **3-9A**

R350T Serial # valid from - 00300 **3-9A**

3-10 Hydraulic Control Assembly

RT120 Serial # valid from - 00200 **3-10A**

R350T Serial # valid from - 00300 **3-10A**

RT120 Serial # valid from - 00831 **3-10B**

R350T Serial # valid from - 00828 **3-10B**

3-11 Hydraulic Drive Auxiliary Assembly

RT120 Serial # 00200 - 01048 **3-11A**

R350T Serial # 00300 - 01048 **3-11A**

RT120 Serial # 01049 - 01098 **3-11B**

R350T Serial # 01049 - 01098 **3-11B**

RT120 Serial # valid from - 01099 **3-11C**

R350T Serial # valid from - 01099 **3-11C**

Parts manuals are updated on a regular basis. Always refer to current online posted manuals to ensure you have the most up to date information prior to ordering parts.

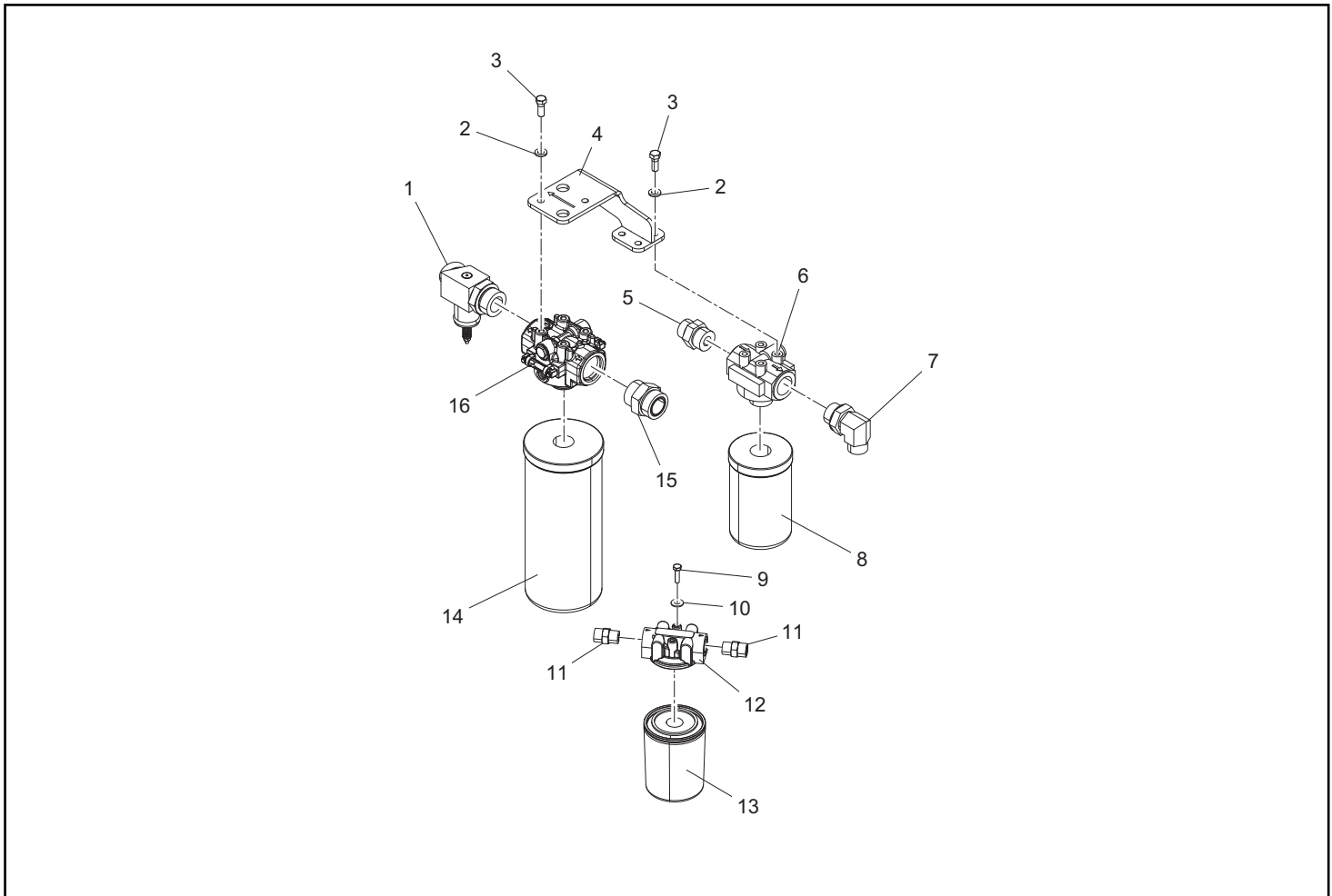
NOTE: Ordering parts that are painted requires a specific part number format. Please refer to page II of this manual for paint code and ordering information.

HYDRAULIC FILTERS

RT120 Serial #: valid from - 00200
R350T Serial #: valid from - 00300

Chapter 3

REF. NO.	PART NUMBER	QTY.	DESCRIPTION	REF. NO.	PART NUMBER	QTY.	DESCRIPTION
1	2075-360	1	ASSY TEE RETURN VALVE				
2	0090-104	8	WASHER .402 x .728 x .098 HARD				
3	8102-222	8	CAPSCREW,HH,3/8-16 UNCx1.0,GD8,ZN				
4	2075-623	1	WLMT BRKT FILTER CHARGE				
5	2030-097	1	ADAPTER,FS6400-12-16-0				
6	0201-403	1	HEAD,FILTER				
7	0201-317	1	ADAPTER,FS6801-12-16-NW0				
8	0404-161	1	FILTER SPIN-ON HYD				
9	8102-042	2	CAPSCREW, HH 1/4-20UNC 1" GD8				
10	8050-222	2	WASHER,WROUGHT,1/4,STD,ZN				
11	0310-345	2	ADAPTER,8MFFOR-8MB				
12	2046-281	1	HEAD FILTER -8 8 O-RING				
13	2046-286	1	FILTER SPIN ON 10 MICRON NOMINAL				
14	2075-219	1	FILTER HYDRAULIC				
15	0310-333	1	ADAPTER,20MFFOR-20MB				
16	2075-215	1	HEAD FILTER				



HYDRAULIC RESERVOIR

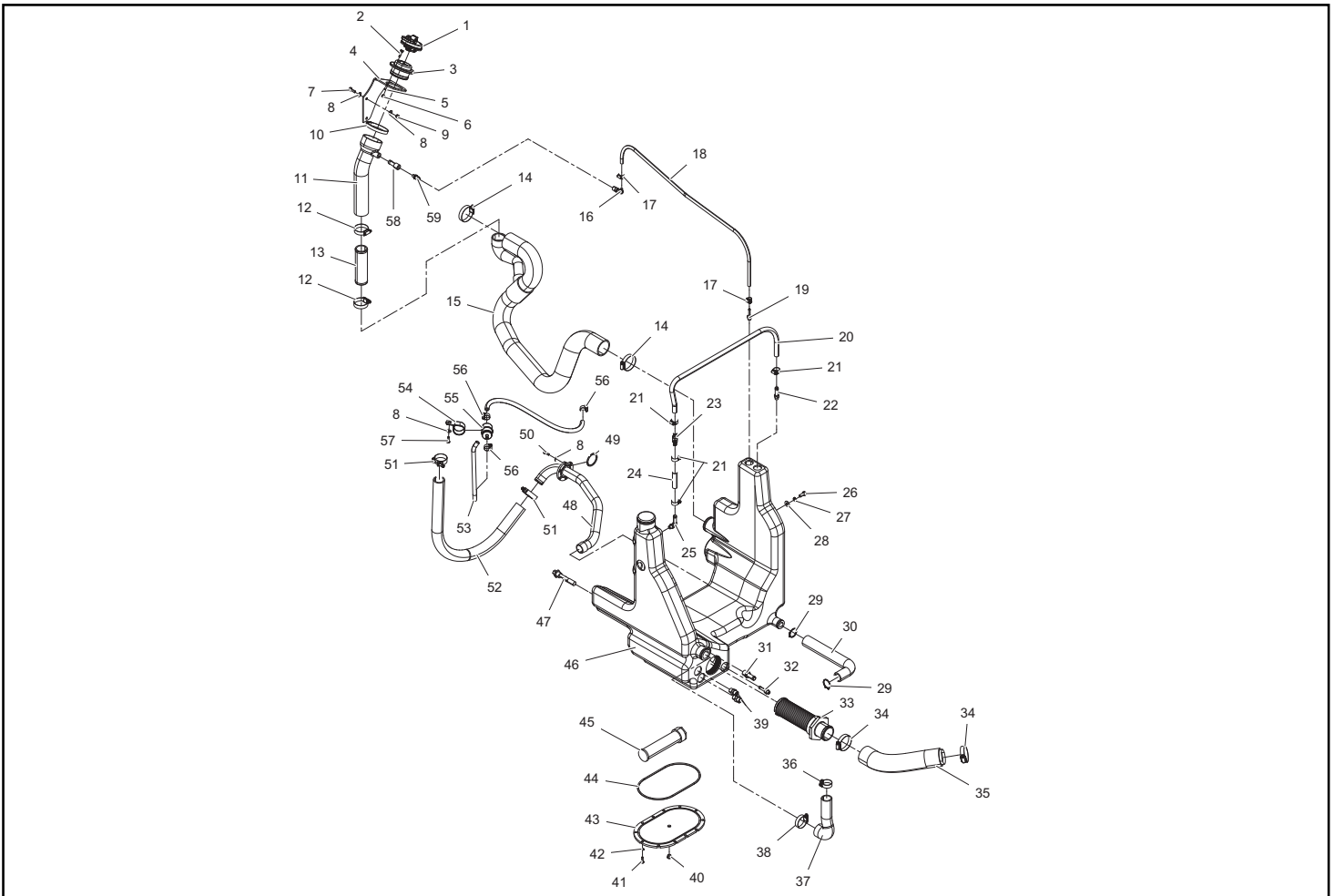
RT120 Serial #: 00200 - 00240

R350T Serial #: 00300 - 00335

Chapter 3

REF. NO.	PART NUMBER	QTY.	DESCRIPTION
1	2045-408	1	CAP OIL BLACK
2	8102-042	3	CAPSCREW, HH 1/4-20UNC 1" GD8
3	2075-992	1	NECK FILLER OIL PLASTIC
4	2095-787	1	BRKT FILL OIL
5	8050-157	3	WASHER, WROUGHT, #10 3/16, STD, ZN
6	8040-366	3	NUT, HEX, NYLOCK, 1/4-20 UNC, ZN
7	8102-132	3	CAPSCREW, HH, 5/16-18UNCx1.0 GD8, ZN
8	8050-222	13	WASHER, WROUGHT, 1/4, STD, ZN
9	8040-426	3	NUT, HEX, NYLOCK, 5/16-18 UNC, ZN
10	0090-411	1	CLAMP HOSE 2.75 TO 3.75 #52
11	2095-798	1	TUBE FILLER OIL
12	0303-096	2	CLAMP, HOSE, 2.0", HI-TORQUE
13	2095-797	1	TUBE CLEAR 2"
14	0315-153	2	CLAMP, SMART SEAL, #325
15	2096-171	1	HOSE RETURN COOLER
16	0315-117	1	ADAPTOR, 1/4 TO 90 COUPLER 1/4" HOSE
17	0315-100	2	CLAMP, HOSE, #4
18	2096-855	1	HOSE VENT OIL COOLER
19	0315-124	1	ADAPTER 4604-04-06-0
20	2096-566	1	HOSE, -8, 200 PSI, 36.63"
21	0315-102	4	CLAMP, HOSE, #8
22	0090-467	1	ADAPTER 4604-08-06-0
23	0090-608	1	TEE .50 X .38 X .50
24	2095-970	1	HOSE 1/2" ID 6"
25	0201-493	1	ADAPTER, 4601-08-06-NWO
26	0303-095	2	CAPSCREW M10 x 1.5 x 25 HCS 10.9OZ
27	0301-781	2	WASHER, SPLIT LOCK, 10mm, ZN
28	8050-282	2	WASHER, WROUGHT, 3/8, STD, ZN
29	0315-150	2	CLAMP, SMART SEAL, #238
30	2075-209	1	HOSE FORMED CASE DRAIN
31	2045-135	1	ADAPTER HB-MORB 4604-10-10-0
32	0201-494	1	ADAPTER, 4604-06-06-0
33	2095-944	1	STRAINER SUCTION
34	0315-153	2	CLAMP, SMART SEAL, #325
35	2095-936	1	HOSE INTAKE AUX
36	0315-150	1	CLAMP, SMART SEAL, #238
37	2095-933	1	HOSE FORMED RETURN
38	0315-151	1	CLAMP, SMART SEAL, #275
39	0310-345	1	ADAPTER, 8MMFFOR-8MB
40	2010-130	1	PLUG ORING 9/16-18 ALLEN HEAD

REF. NO.	PART NUMBER	QTY.	DESCRIPTION
41	8102-038	12	CAPSCREW, HH 1/4-20UNCx7/8 GRD8
42	8051-212	12	WASHER, SPRING LOCK, 1/4, ZN
43	2095-264	1	COVER ACCESS OIL RES
44	2095-268	1	O-RING DASH 376 40 DURO
45	0300-190	1	SCREEN, SUCTION
46	2096-178	1	TANK HYDRAULIC
47	2096-472	1	SWITCH FLOAT -10
48	2096-179	1	TUBE INTAKE CHARGE
49	2076-306	1	O-RING DASH 530 40 DURO
50	8102-038	6	CAPSCREW, HH 1/4-20UNCx7/8 GRD8
51	0315-150	2	CLAMP, SMART SEAL, #238
52	2095-230	1	ASSEMBLY HOSE RETURN COOLER
53	2045-539	1	HOSE VENT UPPER LEFT 3/8" x 15"
54	0090-647	1	CLAMP P 1.75"
55	0201-914	1	FILTER, FUEL, 3/8", STEEL
56	0315-101	3	CLAMP, HOSE, #6
57	8102-040	1	CAPSCREW, HH, 1/4-20 UNCx.75, GD8 ZN
58	2096-861	1	ADAPTER 1/2 HB - 1/4-18 NPTF
59	0315-116	1	ADAPTOR, 1/4 VALVE 1/4-18 NPT



HYDRAULIC RESERVOIR

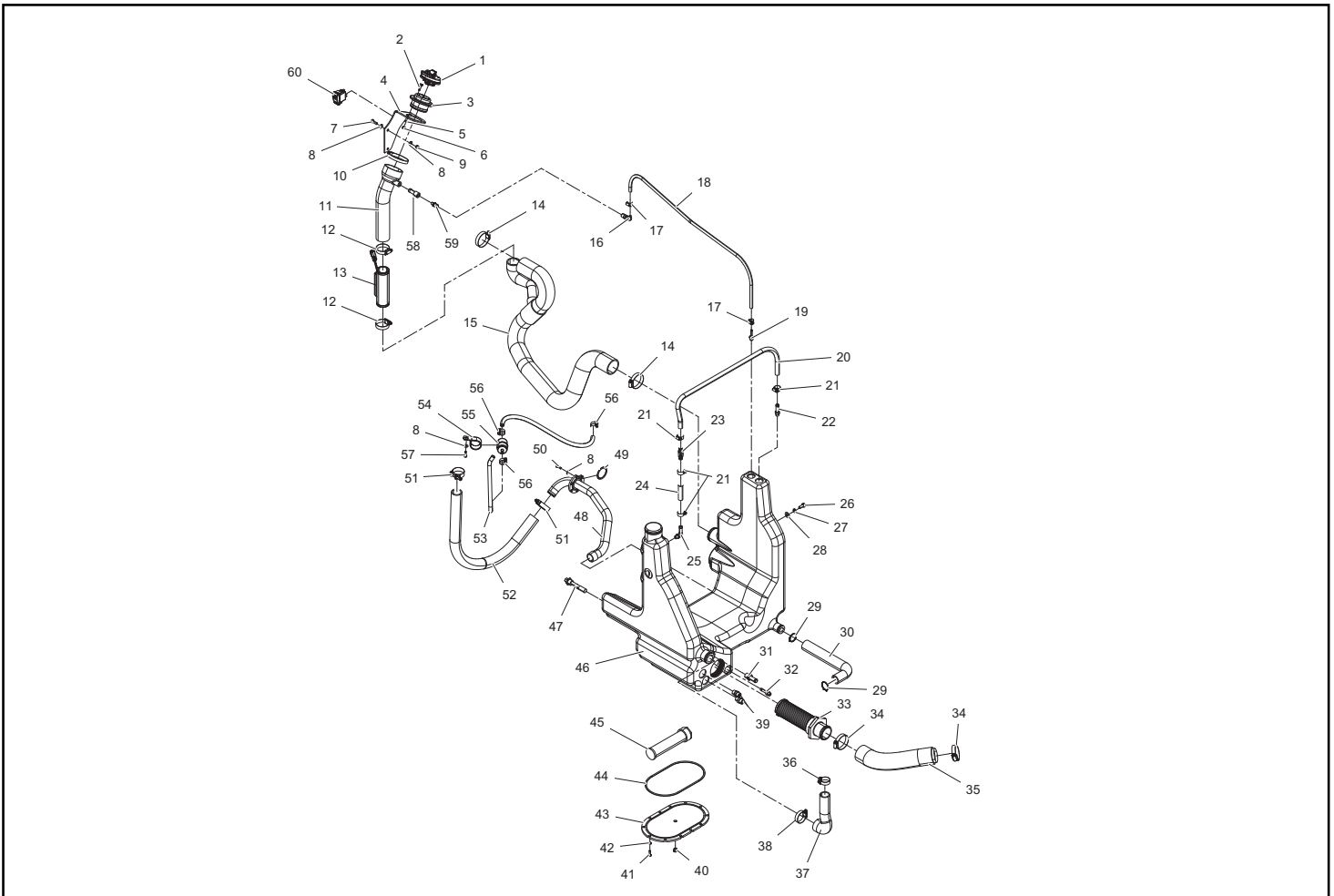
RT120 Serial #: valid from - 00241

R350T Serial #: valid from - 00336

Chapter 3

REF. NO.	PART NUMBER	QTY.	DESCRIPTION
1	2045-408	1	CAP OIL BLACK
2	8102-042	3	CAPSCREW, HH 1/4-20UNC 1" GD8
3	2075-992	1	NECK FILLER OIL PLASTIC
4	2095-787	1	BRKT FILL OIL
5	8050-157	3	WASHER, WROUGHT, #10 3/16, STD, ZN
6	8040-366	3	NUT, HEX, NYLOCK, 1/4-20 UNC, ZN
7	8102-132	3	CAPSCREW, HH, 5/16-18UNC x 1.0 GD8, ZN
8	8050-222	13	WASHER, WROUGHT, 1/4, STD, ZN
9	8040-426	3	NUT, HEX, NYLOCK, 5/16-18 UNC, ZN
10	0090-411	1	CLAMP HOSE 2.75 TO 3.75 #52
11	2095-798	1	TUBE FILLER OIL
12	0303-096	2	CLAMP, HOSE, 2.0", HI-TORQUE
13	2096-936	1	ASSY TUBE SIGHT W/ LIGHT
14	0315-153	2	CLAMP, SMART SEAL, #325
15	2096-171	1	HOSE RETURN COOLER
16	0315-117	1	ADAPTOR, 1/4 TO 90 COUPLER 1/4" HOSE
17	0315-100	2	CLAMP, HOSE, #4
18	2096-855	1	HOSE VENT OIL COOLER
19	0315-124	1	ADAPTER 4604-04-06-0
20	2096-566	1	HOSE, -8, 200 PSI, 36.63"
21	0315-102	4	CLAMP, HOSE, #8
22	0090-467	1	ADAPTER 4604-08-06-0
23	0090-608	1	TEE .50 X .38 X .50
24	2095-970	1	HOSE 1/2" ID 6"
25	0201-493	1	ADAPTER, 4601-08-06-NWO
26	0303-095	2	CAPSCREW M10 x 1.5 x 25 HCS 10.9OZ
27	0301-781	2	WASHER, SPLIT LOCK, 10mm, ZN
28	8050-282	2	WASHER, WROUGHT, 3/8, STD, ZN
29	0315-150	2	CLAMP, SMART SEAL, #238
30	2075-209	1	HOSE FORMED CASE DRAIN
31	2045-135	1	ADAPTER HB-MORB 4604-10-10-0
32	0201-494	1	ADAPTER, 4604-06-06-0
33	2095-944	1	STRAINER SUCTION
34	0315-153	2	CLAMP, SMART SEAL, #325
35	2095-936	1	HOSE INTAKE AUX
36	0315-150	1	CLAMP, SMART SEAL, #238
37	2095-933	1	HOSE FORMED RETURN
38	0315-151	1	CLAMP, SMART SEAL, #275
39	0310-345	1	ADAPTER, 8MM FOR -8MB
40	2010-130	1	PLUG ORING 9/16-18 ALLEN HEAD

REF. NO.	PART NUMBER	QTY.	DESCRIPTION
41	8102-038	12	CAPSCREW, HH 1/4-20UNC x 7/8 GRD8
42	8051-212	12	WASHER, SPRING LOCK, 1/4, ZN
43	2095-264	1	COVER ACCESS OIL RES
44	2095-268	1	O-RING DASH 376 40 DURO
45	0300-190	1	SCREEN, SUCTION
46	2096-178	1	TANK HYDRAULIC
47	2096-472	1	SWITCH FLOAT -10
48	2096-179	1	TUBE INTAKE CHARGE
49	2076-306	1	O-RING DASH 530 40 DURO
50	8102-038	6	CAPSCREW, HH 1/4-20UNC x 7/8 GRD8
51	0315-150	2	CLAMP, SMART SEAL, #238
52	2095-230	1	ASSEMBLY HOSE RETURN COOLER
53	2045-539	1	HOSE VENT UPPER LEFT 3/8" x 15"
54	0090-647	1	CLAMP P 1.75"
55	0201-914	1	FILTER, FUEL, 3/8", STEEL
56	0315-101	3	CLAMP, HOSE, #6
57	8102-040	1	CAPSCREW, HH, 1/4-20 UNC x .75, GD8 ZN
58	2096-861	1	ADAPTER 1/2 HB - 1/4-18 NPTF
59	0315-116	1	ADAPTOR, 1/4 VALVE 1/4-18 NPT
60	2096-957	1	SWITCH LIGHT HYD OIL



FAN CONTROL MANIFOLD

RT120 Serial #: valid from - 00200

R350T Serial #: valid from - 00300

Chapter 3

REF. NO.	PART NUMBER	QTY.	DESCRIPTION
1	0310-330	2	ADAPTER,10MFFOR-8MB-90
2	2096-015	1	VALVE CHECK FAN CONTROL
3	SEE NOTE		
4	2096-734	1	ASSY, BLOCK, FAN NON-REV (includes items 1-6)
5	0310-345	1	ADAPTER,8MFFOR-8MB
6	0201-658	1	ADAPTER,10MFFOR-8MB-SV
7	8050-222	2	WASHER,WROUGHT,1/4,STD,ZN
8	8102-134	2	CAPSCREW,HH,5/16-18UNCx1.25GD8 ZN

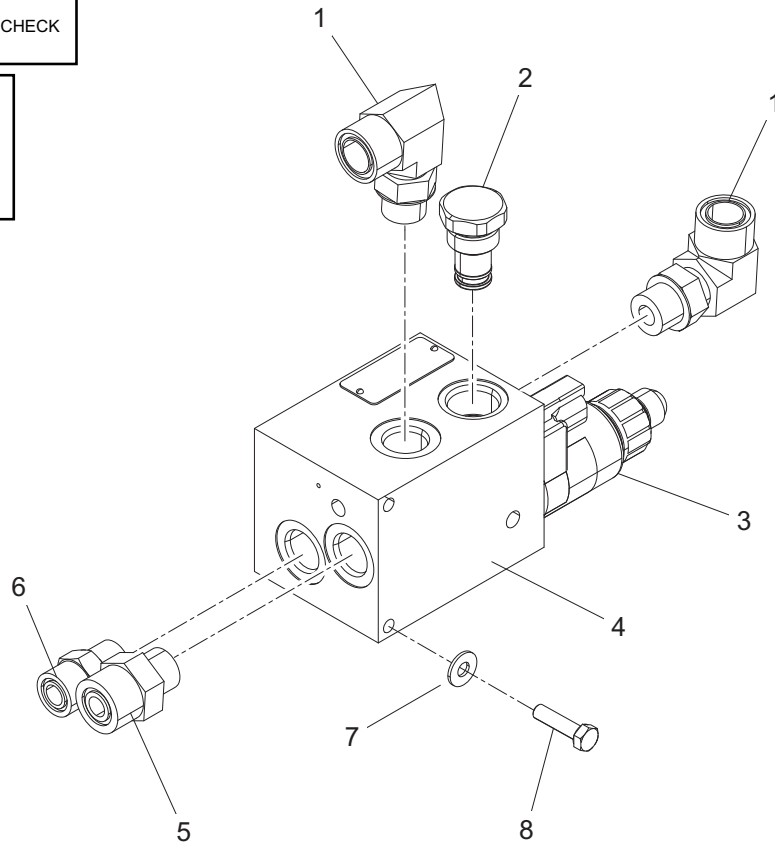
REF. NO.	PART NUMBER	QTY.	DESCRIPTION

Service Parts for Item 2

PART	QTY	DESCRIPTION
2096-016	1	KIT SEAL FAN CONTROL CHECK

Service Parts for Item 3

PART	QTY	DESCRIPTION
2095-528	1	CARTRIDGE
2095-529	1	COIL
2095-530	1	SEAL KIT CARTRIDGE
2095-531	1	COIL NUT



FAN CONTROL MANIFOLD - (Forestry only)

RT120 Serial #: valid from - 00200

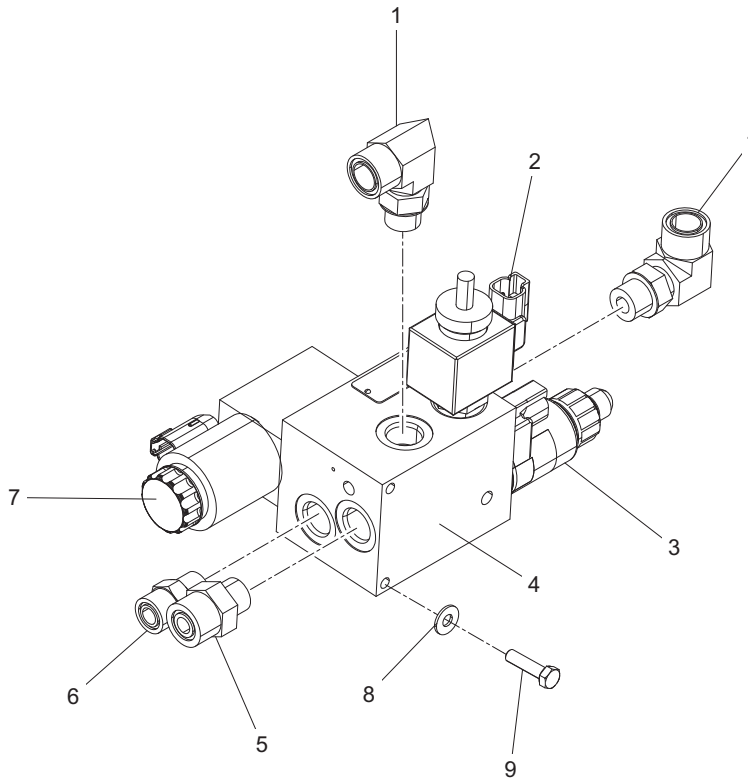
R350T Serial #: valid from - 00300

Chapter 3

REF. NO.	PART NUMBER	QTY.	DESCRIPTION
1	0310-330	2	ADAPTER,10MFFOR-8MB-90
2	SEE NOTE		
3	SEE NOTE		
4	2096-165	1	ASSEMBLY BLOCK FAN CONTROL (includes items 1-7)
5	0201-658	1	ADAPTER,10MFFOR-8MB-SV
6	0310-345	1	ADAPTER,8MFFOR-8MB
7	SEE NOTE		
8	8050-222	2	WASHER,WROUGHT,1/4,STD,ZN
9	8102-134	2	CAPSCREW,HH,5/16-18UNCx1.25GD8 ZN

REF. NO.	PART NUMBER	QTY.	DESCRIPTION

FORESTRY ONLY



Service Parts for Item 2		
PART	QTY	DESCRIPTION
2095-524	1	CARTRIDGE
2095-525	1	COIL
2095-526	1	SEAL KIT CARTRIDGE
2095-527	1	COIL NUT

Service Parts for Item 3		
PART	QTY	DESCRIPTION
2095-528	1	CARTRIDGE
2095-529	1	COIL
2095-530	1	SEAL KIT CARTRIDGE
2095-531	1	COIL NUT

Service Parts for Item 7		
PART	QTY	DESCRIPTION
2095-532	1	VALVE ASM COMPLETE
2095-533	1	COIL
2095-534	1	COIL NUT

LIFT ARM CONTROL VALVE

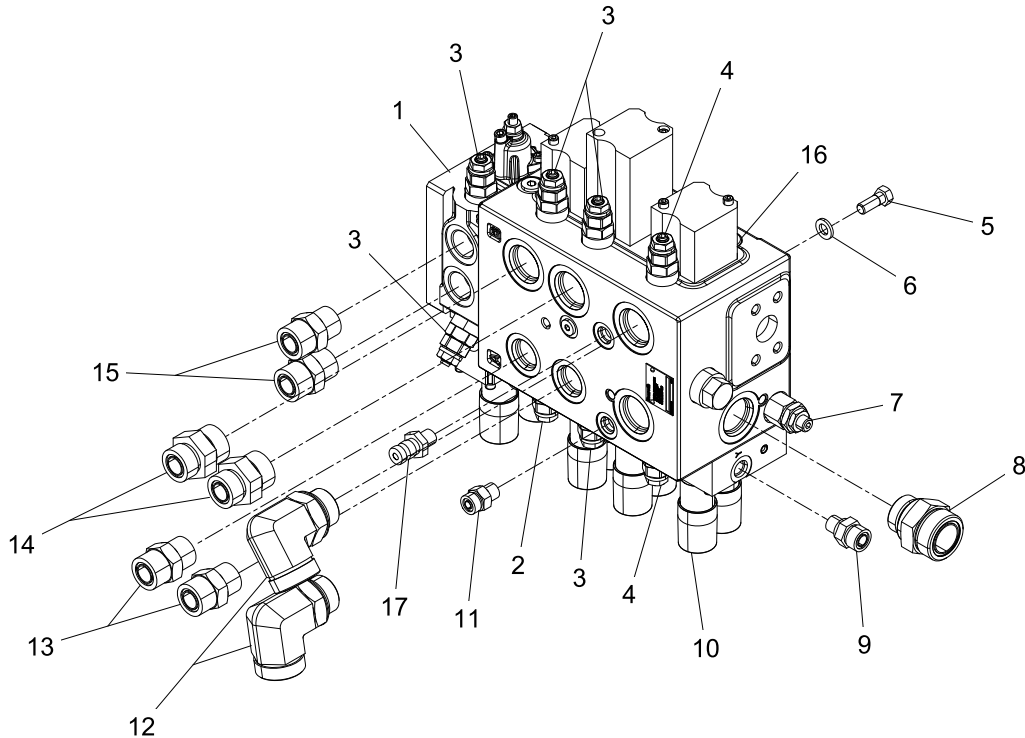
RT120 Serial #: valid from - 00200

R350T Serial #: valid from - 00300

Chapter 3

REF. NO.	PART NUMBER	QTY.	DESCRITION	REF. NO.	PART NUMBER	QTY.	DESCRITION
1	2096-372	1	VALVE REXROTH SSLV 280 BAR				
2	2076-166	1	RELIEF WORKPORT 240 BAR				
3	2076-163	5	RELIEF WORKPORT 275 BAR				
4	2096-913	2	VALVE RELIEF W/ANTI-CAV 320 BAR (R978729756)				
5	8102-222	4	CAPSCREW,HH,3/8-16 UNCx1.0,GD8,ZN				
6	0090-104	4	WASHER .402 x .728 x .098 HARD				
7	2076-167	1	RELIEF LOADSENSE 228 BAR				
8	2076-060	1	ADAPTER 20MFFOR-16MB SHORT FS6400-20-16-0				
9	0310-567	1	ADAPTER,8MFFOR-6MB				
10	2095-536	8	ASSY, VALVE				
11	0310-329	1	ADAPTER,6MFFOR-6MB				
12	2075-742	2	ADAPTER FS6801-20-16-NOW				
13	0310-313	2	ADAPTER,12MFFOR-12MB				
14	2030-097	2	ADAPTER,FS6400-12-16-0				
15	0310-313	2	ADAPTER,12MFFOR-12MB				
16	2096-912	1	VALVE RELIEF CLIPPER 295 BAR (R978730674)				
17	0314-044	1	COUPLING,PORT,TEST,MALE,#4SAE-M PD341				

For kit information, please see page 13-1A



LIFT ARM TUBES AND FITTINGS

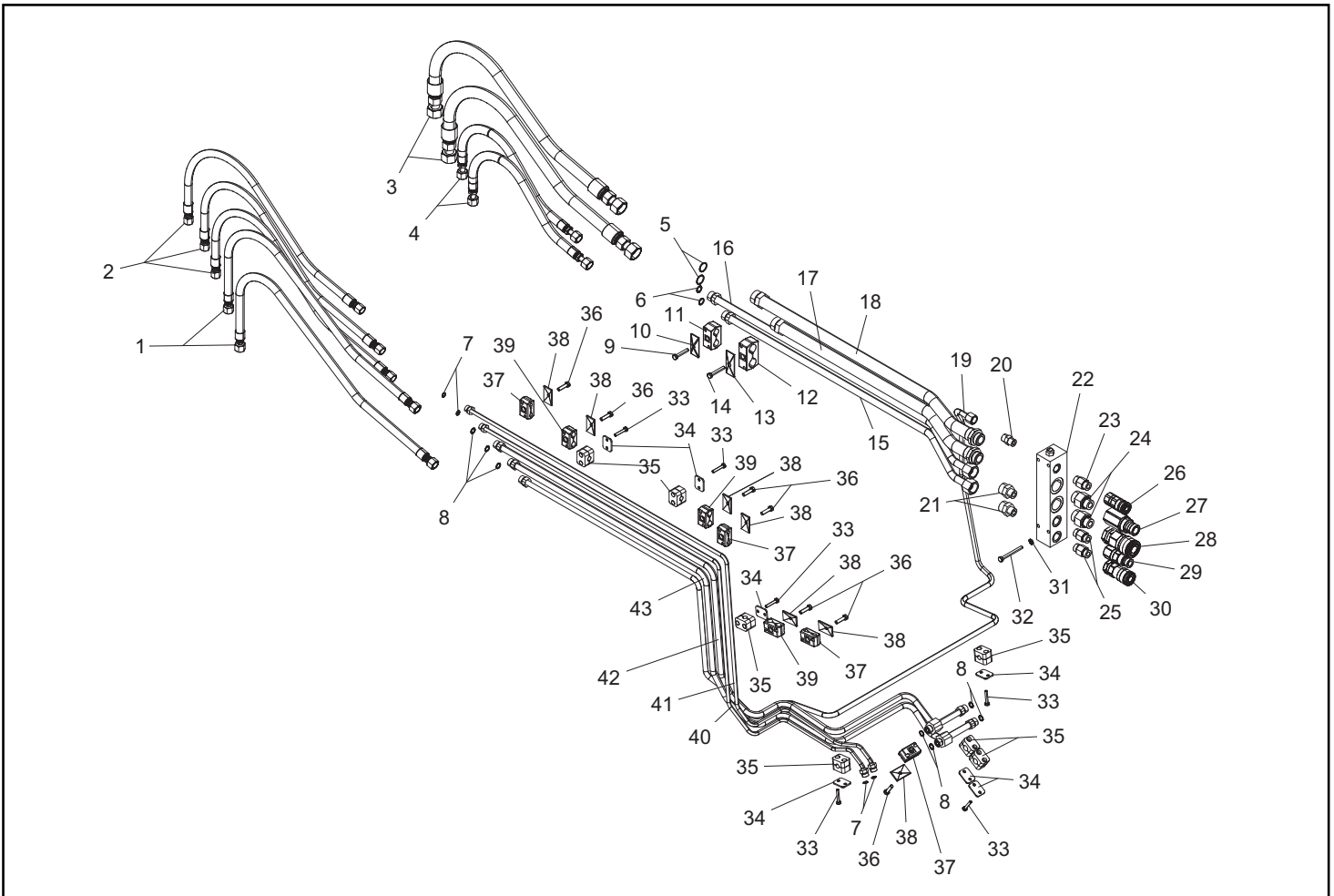
RT120 Serial #: 00200 - 01098

R350T Serial #: 00300 - 01098

Chapter 3

REF. NO.	PART NUMBER	QTY.	DESCRIPTION
1	2045-495	2	HOSE,6M4K,38.5"
2	2045-497	3	HOSE 8M4K 40.5"
3	2075-941	2	HOSE -16 44.5 4000PSI
4	2075-942	2	HOSE -10 32.5 4000PSI
5	0310-289	2	O-RING,16 ORFF,2-021 N0552
6	0310-287	2	O-RING,10 ORFF,2-016 N0552
7	0310-285	4	O-RING,6 ORFF,2-012 N0552
8	0310-286	5	O-RING,8 ORFF,2-014 N0552
9	8102-136	1	CAPSCREW,HH,5/16-18x1.75 ZN GD8
10	0310-828	1	COVER, CLAMP, 3/4" TCP-T3 BEHRINGER
11	0310-733	1	INSERT,CLAMP,TWIN.75"
12	2075-752	1	CLAMP SET T4125-PP
13	0201-227	1	CLAMP,COVER,TCP-T4
14	8102-137	1	CAPSCREW,HH,5/16-18UNCx2.0 GD8 ZN
15	2075-066	1	TUBE LOW FLOW BOTTOM
16	2075-065	1	TUBE LOW FLOW TOP
17	2075-064	1	TUBE HIGH FLOW BOTTOM
18	2075-063	1	TUBE HIGH FLOW TOP
19	2075-073	1	TUBE TANK QUICK BLOCK
20	0310-345	1	ADAPTER,8MFFOR-8MB
21	0310-319	2	ADAPTER,12MFFOR-10MB
22	0201-061	1	MANIFOLD,QD
23	0201-602	1	ADAPTER,O-RING,HEX NIPPLE,8-8
24	0201-603	2	ADAPTER,O-RING,HEX NIPPLE,16-12
25	0201-601	2	ADAPTER,O-RING,HEX NIPPLE,10-10
26	0310-078	1	COUPLER,QUICK,FF,FEMALE, 3/4-16UNF,-6
27	0314-143	1	COUPLER,QUICK,FF,MALE,
28	0314-142	1	COUPLER,QUICK,FF,FEMALE
29	0310-077	1	COUPLER,QUICK,FF,MALE, 7/8-14UNF,-8
30	0310-076	1	COUPLER,QUICK,FF, FEMALE,7/8-14 UNF,-8
31	8051-242	4	WASHER,SPRING LOCK,5/16,ZN
32	8102-141	4	CAPSCREW,HH,5/16-18UNCx3.0,GD8
33	8102-045	14	CAPSCREW,HH,1/4-20x1.5"ZN GD8
34	0201-224	7	COVER,CLAMP,COP-2
35	0201-402	7	CLAMP,SET,2050-PP
36	8102-134	7	CAPSCREW,HH,5/16-18UNCx1.25GD8 ZN
37	0201-225	4	CLAMP,SET,T2038-PP
38	0310-584	7	PLATE,COVER TCP-T2 TCP-T2
39	0310-831	3	CLAMP, SET, T2062-PP BEHRINGER
40	2075-069	1	TUBE QA BOTTOM

REF. NO.	PART NUMBER	QTY.	DESCRIPTION
41	2075-070	1	TUBE QA TOP
42	2075-069	1	TUBE QA BOTTOM
43	2075-068	1	TUBE BUCKET BOTTOM



LIFT ARM TUBES AND FITTINGS

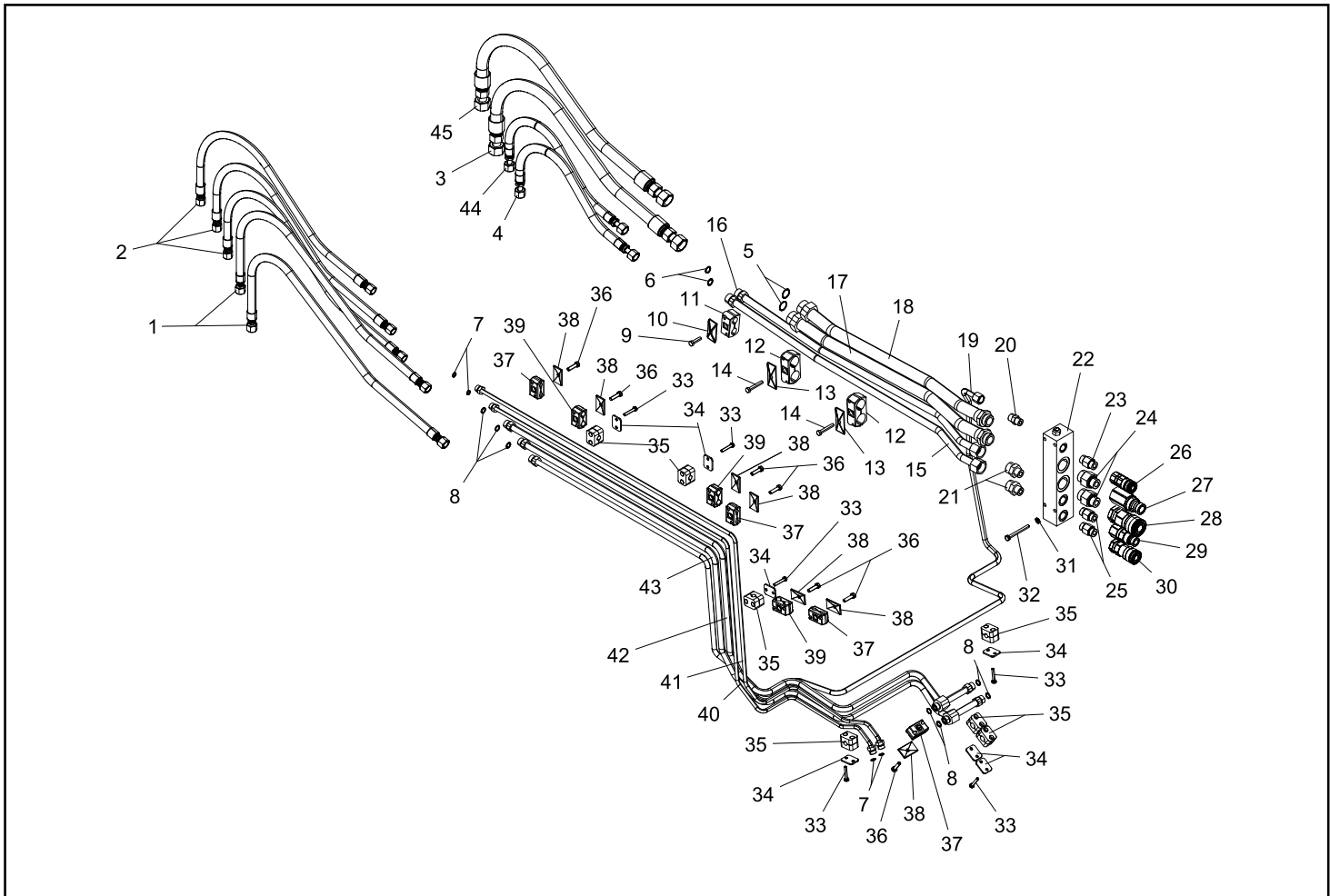
RT120 Serial #: valid from - 01099

R350T Serial #: valid from - 01099

Chapter 3

REF. NO.	PART NUMBER	QTY.	DESCRIPTION
1	2045-495	2	HOSE,6M4K,38.5"
2	2045-497	3	HOSE 8M4K 40.5"
3	2075-941	1	HOSE -16 44.5 4000PSI
4	2075-942	1	HOSE -10 32.5 4000PSI
5	0310-289	2	O-RING,16 ORFF,2-021 N0552
6	0310-287	2	O-RING,10 ORFF,2-016 N0552
7	0310-285	4	O-RING,6 ORFF,2-012 N0552
8	0310-286	5	O-RING,8 ORFF,2-014 N0552
9	8102-136	1	CAPSCREW,HH,5/16-18x1.75 ZN GD8
10	0310-828	1	COVER, CLAMP, 3/4" TCP-T3 BEHRINGER
11	0310-733	1	INSERT,CLAMP,TWIN.75"
12	2075-752	2	CLAMP SET T4125-PP
13	0201-227	2	CLAMP,COVER,TCP-T4
14	8102-137	2	CAPSCREW,HH,5/16-18UNCx2.0 GD8 ZN
15	2096-991	1	TUBE LOW FLOW BOTTOM
16	2096-990	1	TUBE LOW FLOW TOP
17	2096-989	1	TUBE HIGH FLOW BOTTOM
18	2096-988	1	TUBE HIGH FLOW TOP
19	2075-073	1	TUBE TANK QUICK BLOCK
20	0310-345	1	ADAPTER,8MFFOR-8MB
21	0310-319	2	ADAPTER,12MFFOR-10MB
22	0201-061	1	MANIFOLD,QD
23	0201-602	1	ADAPTER,O-RING,HEX NIPPLE,8-8
24	0201-603	2	ADAPTER,O-RING,HEX NIPPLE,16-12
25	0201-601	2	ADAPTER,O-RING,HEX NIPPLE,10-10
26	0310-078	1	COUPLER,QUICK,FF,FEMALE, 3/4-16UNF,-6
27	0314-143	1	COUPLER,QUICK,FF,MALE,
28	0314-142	1	COUPLER,QUICK,FF,FEMALE
29	0310-077	1	COUPLER,QUICK,FF,MALE, 7/8-14UNF,-8
30	0310-076	1	COUPLER,QUICK,FF, FEMALE,7/8-14 UNF,-8
31	8051-242	4	WASHER,SPRING LOCK,5/16,ZN
32	8102-141	4	CAPSCREW,HH,5/16-18UNCx3.0,GD8
33	8102-045	14	CAPSCREW,HH,1/4-20x1.5"ZN GD8
34	0201-224	7	COVER,CLAMP,COP-2
35	0201-402	7	CLAMP,SET,2050-PP
36	8102-134	7	CAPSCREW,HH,5/16-18UNCx1.25GD8 ZN
37	0201-225	4	CLAMP,SET,T2038-PP
38	0310-584	7	PLATE,COVER TCP-T2 TCP-T2
39	0310-831	3	CLAMP, SET, T2062-PP BEHRINGER
40	2075-069	1	TUBE QA BOTTOM

REF. NO.	PART NUMBER	QTY.	DESCRIPTION
41	2075-070	1	TUBE QA TOP
42	2075-069	1	TUBE QA BOTTOM
43	2075-068	1	TUBE BUCKET BOTTOM
44	2097-160	1	HOSE, -10, 4000 PSI, FFX-10-10-W, FFX-10-10-W, 28.5",
45	2097-159	1	HOSE, -16, 4000 PSI, FFX-16-16-W, FFX-16-16-W, 48.9",



DRIVE PUMP / AUXILIARY PUMP

RT120 Serial #: valid from - 00200

R350T Serial #: valid from - 00300

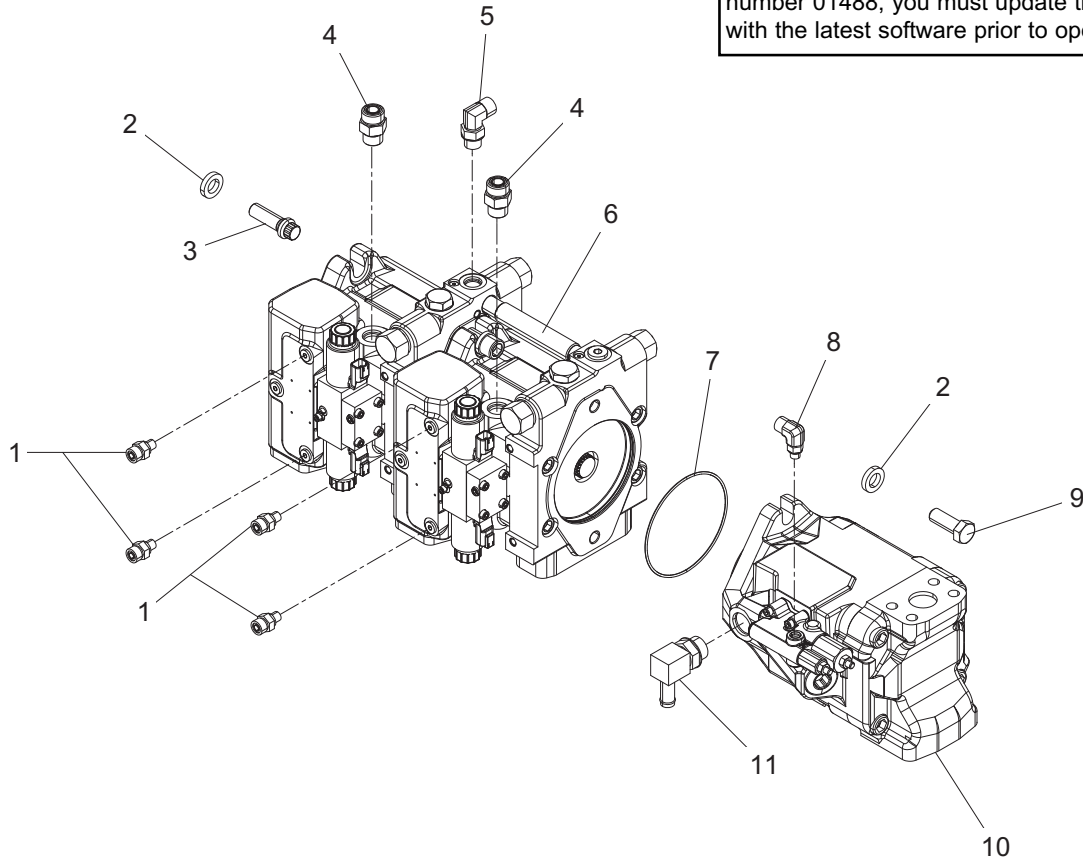
Chapter 3

REF. NO.	PART NUMBER	QTY.	DESCRIPTION
1	0314-014	4	ADAPTER,6MFFOR-4MB FS6400-06-04
2	0700-287	4	WASHER,16mmX30mmX5mm
3	0090-683	2	CAPSCREW, FERRY, 5/8-11 x 2"
4	0315-010	2	ADAPTER, HYD, 10 F5OLO-S,TRAP SEAL
5	0310-346	1	ADAPTER,8MFFOR-8MB-90^
6	2097-127	1	PUMP, REXROTH, 400 BAR RELIEF, W/ S/L (SEE NOTE)
7	0404-312	1	O-RING R909085364 126.67 X 2.62 N NBR 70 (6/2/2011)
8	0310-557	1	ADAPTER,6MFFOR-4MB-90
9	0301-486	2	CAPSCREW,HH M16 x 45mm LONG FULLY THREADED
10	2096-371	1	PUMP, AUXILIARY
11	0090-217	1	ADAPTER 4601-10-12-NWO

REF. NO.	PART NUMBER	QTY.	DESCRIPTION

For kit information, please see page 13-1A

If replacing item 6 on machines built prior to serial number 01488, you must update the main controller with the latest software prior to operation.



HYDRAULIC CONTROL

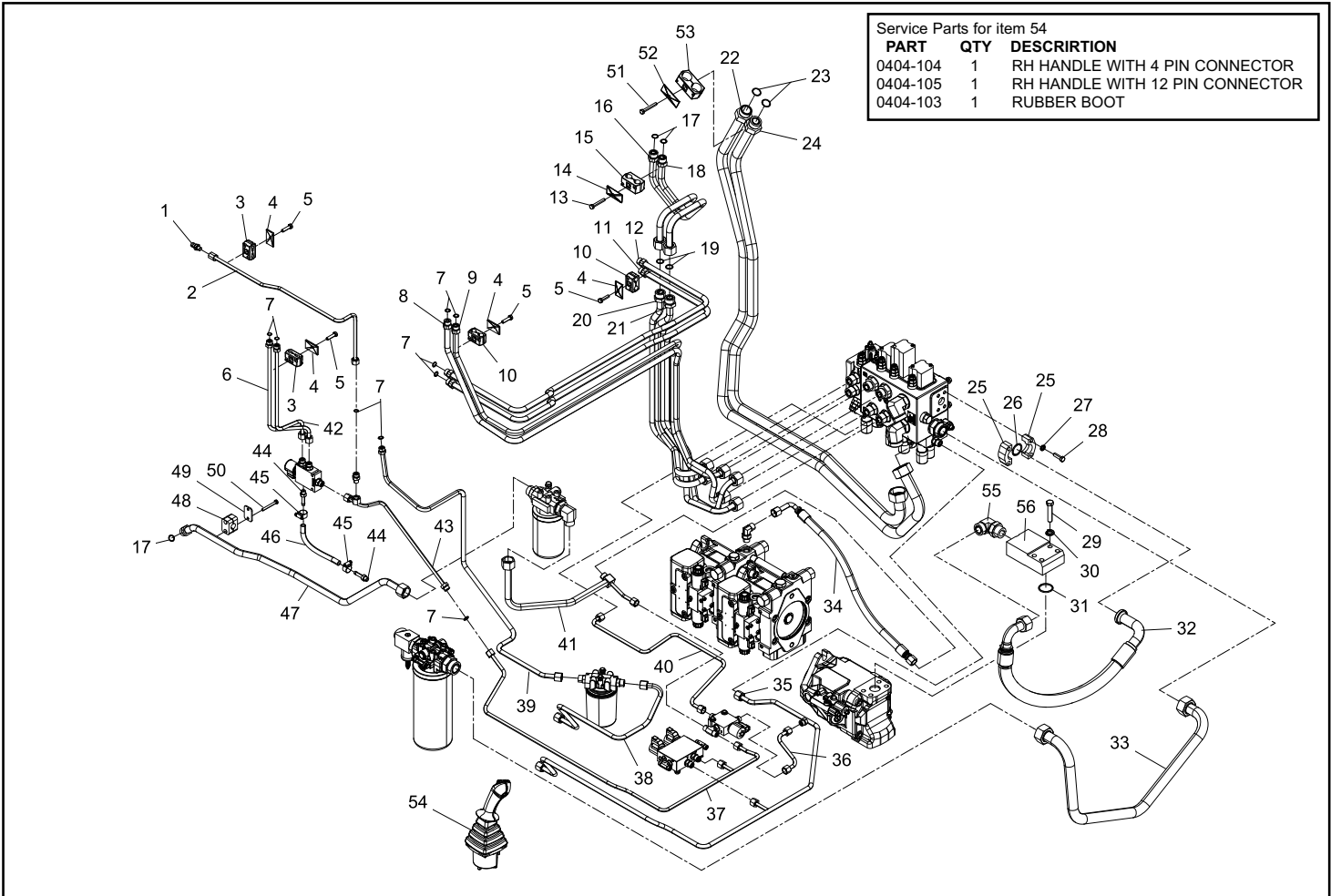
RT120 Serial #: 00200 - 00830

R350T Serial #: 00300 - 00827

Chapter 3

REF. NO.	PART NUMBER	QTY.	DESCRIPTION
1	0314-044	1	COUPLING,PORT,TEST,MALE,#4SAE-M PD341
2	2096-579	1	TUBE TEST, CHARGE
3	0201-225	2	CLAMP,SET,T2038-PP
4	0310-584	4	PLATE,COVER TCP-T2 TCP-T2
5	8102-134	4	CAPSCREW,HH,5/16-18UNCx1.25GD8 ZN
6	2075-464	1	TUBE QA FRONT
7	0310-286	11	O-RING,8 ORFF,2-014 N0552
8	2075-727	1	TUBE BUCKET A
9	2075-728	1	TUBE BUCKET B
10	0310-831	2	CLAMP, SET, T2062-PP BEHRINGER
11	2096-204	1	TUBE BOOM B
12	2096-203	1	TUBE BOOM A
13	8102-137	1	CAPSCREW,HH,5/16-18UNCx2.0 GD8 ZN
14	0310-828	1	COVER, CLAMP, 3/4" TCP-T3 BEHRINGER
15	0310-733	1	INSERT,CLAMP,TWIN.75" T3075-PP T3075-PP
16	2096-335	1	TUBE LOW FLOW B TOWER
17	0310-287	3	O-RING,10 ORFF,2-016 N0552
18	2096-334	1	TUBE LOW FLOW A TOWER
19	0310-288	2	O-RING,12 ORFF,2-018 N0552
20	2096-190	1	TUBE LOW FLOW A
21	2096-191	1	TUBE LOW FLOW B
22	2096-123	1	TUBE HIGH FLOW B
23	0310-289	2	O-RING,16 ORFF,2-021 N0552
24	2096-124	1	TUBE HIGH FLOW A
25	0201-410	2	FLANGE,SPLIT,CODE 61
26	0309-540	1	O-RING,-16 FLANGE 16FLOR
27	8051-272	4	WASHER,SPRING LOCK,3/8,ZN
28	8102-224	4	CAPSCREW,HH,3/8-16UNCx1.25,GD8,ZN
29	8102-409	4	CAPSCREW,HH,1/2-13UNCx2.5,GD8
30	8051-332	4	WASHER,SPRING LOCK,1/2,ZN
31	0310-294	1	O-RING,#222,1.50x1.75x.13 (LUTZ)
32	2097-251	1	HOSE, -16, 5000 PSI, 16G-16FFORX90M
33	2075-735	1	TUBE RETURN VALVE
34	2095-326	1	HOSE -8 1000PSI 8G8FFORX 8G8FFORX90L 25"
35	2096-571	1	TUBE TANK PILOT
36	2075-808	1	TUBE DUMP PILOT
37	2095-185	1	ASSEMBLY TUBE QD
38	2095-934	1	TUBE CASE DRAIN TANK
39	2075-344	1	TUBE FILTER CASE DRAIN UPSTREAM
40	2096-572	1	TUBE TANK PILOT

REF. NO.	PART NUMBER	QTY.	DESCRIPTION
41	2095-317	1	WLMT TUBE CHARGE FRONT
42	2075-465	1	TUBE QA REAR
43	2095-186	1	ASSEMBLY TUBE QD UPPER
44	0201-494	2	ADAPTER,4604-06-06-0
45	0315-101	2	CLAMP, HOSE, #6
46	2095-937	1	HOSE
47	2096-258	1	TUBE FILTER CHARGE
48	0314-030	1	CLAMP,SET, 3075, PP 3075-PP
49	0310-826	1	COVER, CLAMP, COP-3 BEHRINGER
50	8102-047	2	CAPSCREW,HH,1/4-20 UNCx2.0,GD8
51	8102-138	1	CAPSCREW,HH,5/16-18 X 2.25 GD8
52	0201-227	1	CLAMP,COVER,TCP-T4
53	2075-752	1	CLAMP SET T4125-PP
54	2075-740	1	JOYSTICK RH ELECTRONIC
55	0310-343	1	ADAPTER,16MFFOR-16MB-90^
56	2097-248	1	ADAPTER, AUX TUBE



HYDRAULIC CONTROL

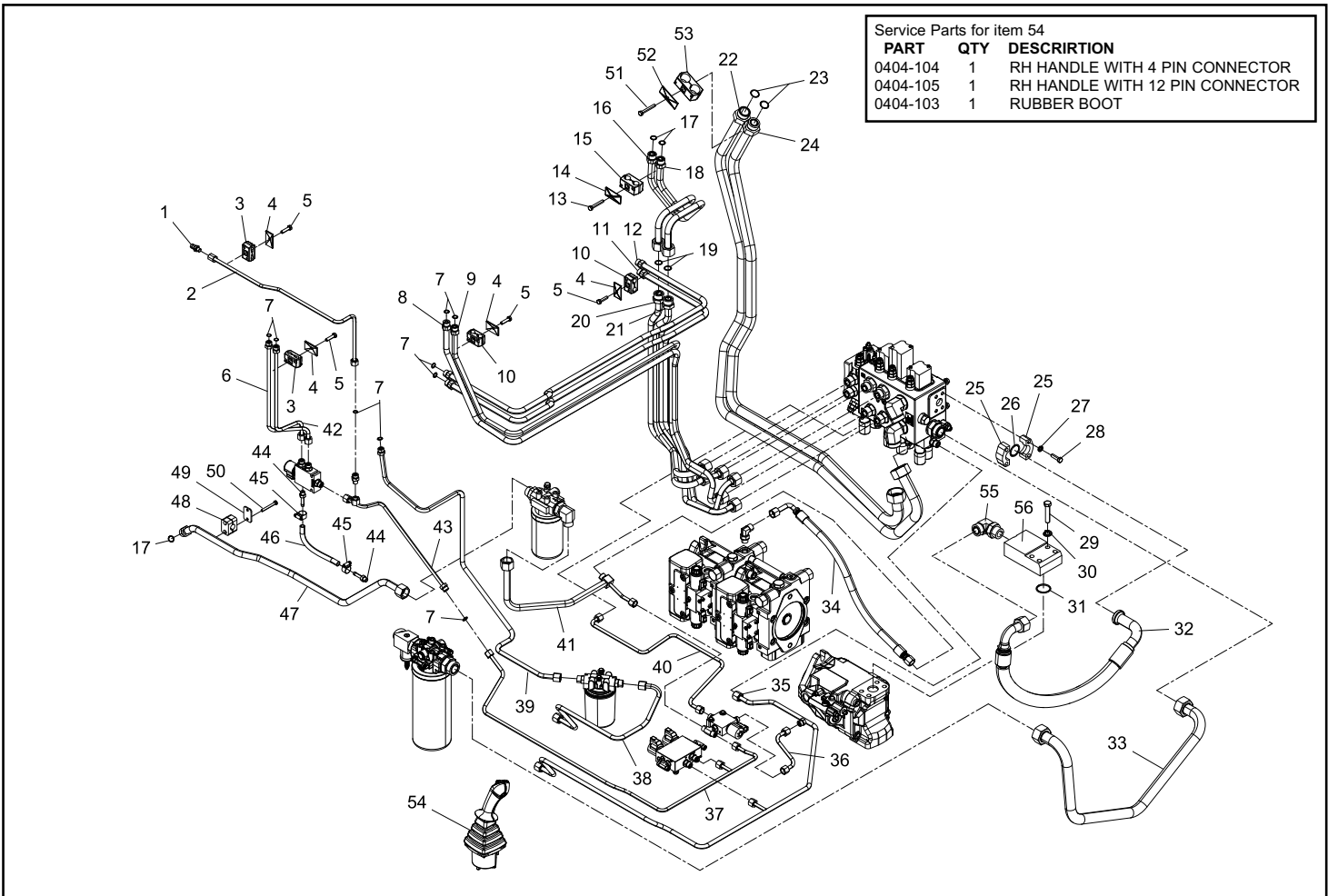
RT120 Serial #: valid from - 00831

R350T Serial #: valid from - 00828

Chapter 3

REF. NO.	PART NUMBER	QTY.	DESCRIPTION
1	0314-044	1	COUPLING,PORT,TEST,MALE,#4SAE-M PD341
2	2096-579	1	TUBE TEST, CHARGE
3	0201-225	2	CLAMP,SET,T2038-PP
4	0310-584	4	PLATE,COVER TCP-T2 TCP-T2
5	8102-134	4	CAPSCREW,HH,5/16-18UNCx1.25GD8 ZN
6	2075-464	1	TUBE QA FRONT
7	0310-286	11	O-RING,8 ORFF,2-014 N0552
8	2075-727	1	TUBE BUCKET A
9	2075-728	1	TUBE BUCKET B
10	0310-831	2	CLAMP, SET, T2062-PP BEHRINGER
11	2096-204	1	TUBE BOOM B
12	2096-203	1	TUBE BOOM A
13	8102-137	1	CAPSCREW,HH,5/16-18UNCx2.0 GD8 ZN
14	0310-828	1	COVER, CLAMP, 3/4" TCP-T3 BEHRINGER
15	0310-733	1	INSERT,CLAMP,TWIN.75" T3075-PP T3075-PP
16	2096-335	1	TUBE LOW FLOW B TOWER
17	0310-287	3	O-RING,10 ORFF,2-016 N0552
18	2096-334	1	TUBE LOW FLOW A TOWER
19	0310-288	2	O-RING,12 ORFF,2-018 N0552
20	2096-190	1	TUBE LOW FLOW A
21	2096-191	1	TUBE LOW FLOW B
22	2096-123	1	TUBE HIGH FLOW B
23	0310-289	2	O-RING,16 ORFF,2-021 N0552
24	2096-124	1	TUBE HIGH FLOW A
25	0201-410	2	FLANGE,SPLIT,CODE 61
26	0309-540	1	O-RING,-16 FLANGE 16FLOR
27	8051-272	4	WASHER,SPRING LOCK,3/8,ZN
28	8102-224	4	CAPSCREW,HH,3/8-16UNCx1.25,GD8,ZN
29	8102-409	4	CAPSCREW,HH,1/2-13UNCx2.5,GD8
30	8051-332	4	WASHER,SPRING LOCK,1/2,ZN
31	0310-294	1	O-RING,#222,1.50x1.75x.13 (LUTZ)
32	2097-251	1	HOSE, -16, 5000 PSI, 16G-16FFORX90M
33	2075-735	1	TUBE RETURN VALVE
34	2095-326	1	HOSE -8 1000PSI 8G8FFORX 8G8FFORX90L 25"
35	2096-571	1	TUBE TANK PILOT
36	2075-808	1	TUBE DUMP PILOT
37	2095-185	1	ASSEMBLY TUBE QD
38	2095-934	1	TUBE CASE DRAIN TANK
39	2075-344	1	TUBE FILTER CASE DRAIN UPSTREAM
40	2096-572	1	TUBE TANK PILOT

REF. NO.	PART NUMBER	QTY.	DESCRIPTION
41	2095-317	1	WLMT TUBE CHARGE FRONT
42	2075-465	1	TUBE QA REAR
43	2095-186	1	ASSEMBLY TUBE QD UPPER
44	0201-494	2	ADAPTER,4604-06-06-0
45	0315-101	2	CLAMP, HOSE, #6
46	2095-937	1	HOSE
47	2096-940	1	TUBE CHARGE RETURN
48	0314-030	1	CLAMP,SET, 3075, PP 3075-PP
49	0310-826	1	COVER, CLAMP, COP-3 BEHRINGER
50	8102-047	2	CAPSCREW,HH,1/4-20 UNCx2.0,GD8
51	8102-138	1	CAPSCREW,HH,5/16-18 X 2.25 GD8
52	0201-227	1	CLAMP,COVER,TCP-T4
53	2075-752	1	CLAMP SET T4125-PP
54	2075-740	1	JOYSTICK RH ELECTRONIC
55	0310-343	1	ADAPTER,16MFFOR-16MB-90^
56	2097-248	1	ADAPTER, AUX TUBE

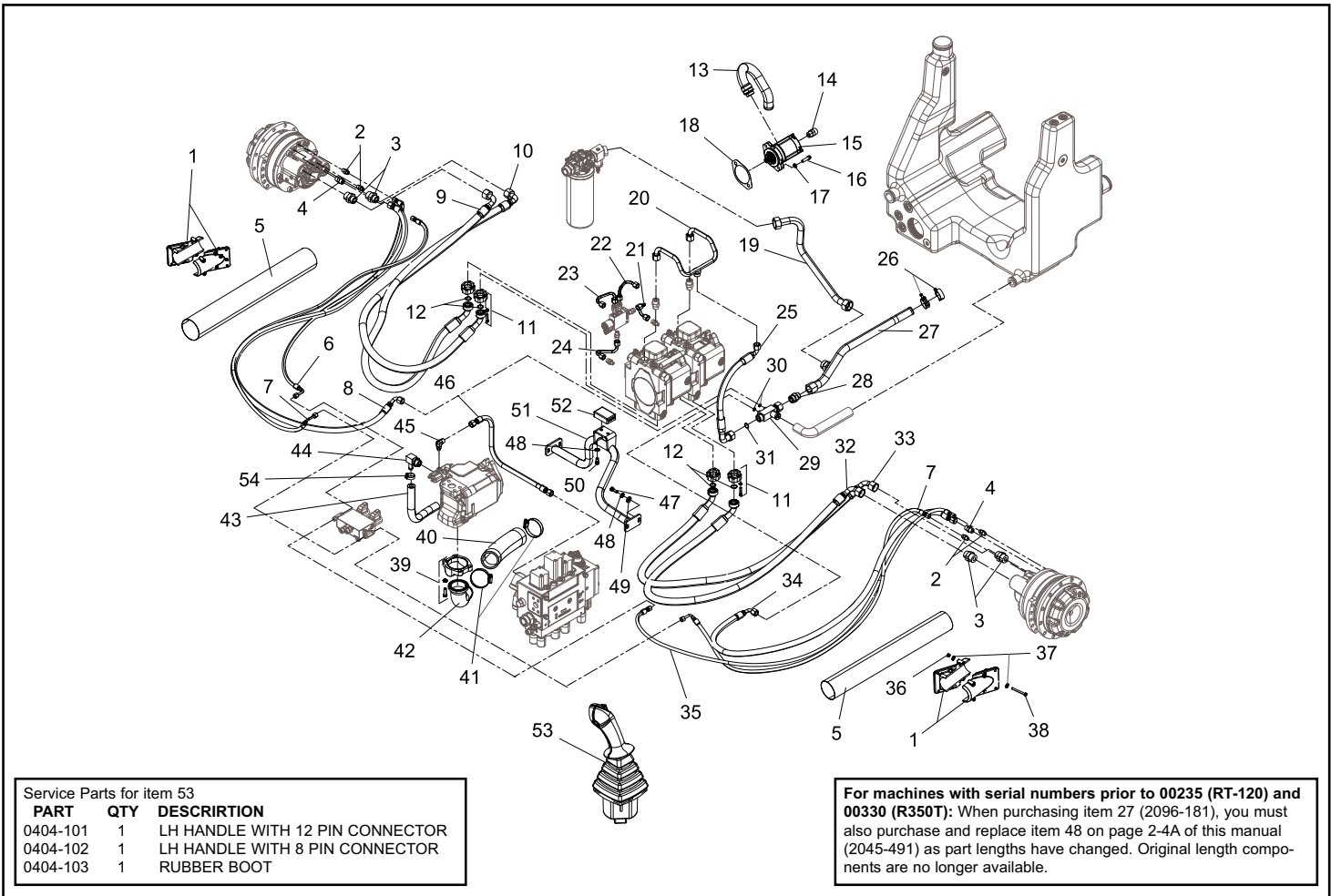


HYDRAULIC DRIVE / AUXILIARY

RT120 Serial #: 00200 - 01048
R350T Serial #: 00300 - 01048

REF. NO.	PART NUMBER	QTY.	DESCRIPTION
1	2075-270	4	CLAMP HOSE DRIVE
2	0201-309	4	ADAPTER,FS6400-04-06-0
3	0314-011	4	ADAPTER,12MFFOR-16MB FS6400-12-16
4	0310-345	2	ADAPTER,8MFFOR-8MB
5	0090-255	2	SLEEVE TEXS112 30"
6	2095-688	1	HOSE, -4, 450 PSI, 4FFORX, 4FFORX90L, 74.3"
7	2095-690	2	HOSE, -4, 450 PSI, 4FFORX, 4FFORX90L, 76.9"
8	2095-692	1	HOSE, -8, 400 PSI, 8FFORX, 8FFORX, 0^, 84.52"
9	2076-525	1	HOSE -12, 6000 PSI, 12FFORX90S, 12FLC60_035, 78^, 74.0"
10	2095-689	1	HOSE, -12, 6000 PSI, 12 FFORX90S, 12FLC60_035, 85^,
11	0700-172	2	FLANGE,HALF,12
12	0201-558	1	O-RING,0.984IDx0.139CS
13	2096-543	1	TUBE INTAKE CHARGE
14	0310-318	1	ADAPTER,10MFFOR-10MB
15	2096-213	1	PUMP GEAR 19CC REAR PORT
16	0090-684	2	CAPSCREW, FERRY, M10 x 1.5 x 35mm
17	0090-104	2	WASHER .402 x .728 x .098 HARD
18	0302-322	1	GASKET,PTO 68-G04
19	2096-254	1	TUBE FILTER COOLER
20	2095-098	1	TUBE CASE DRAIN TRANS
21	2075-757	1	TUBE SAFETY REAR
22	2075-756	1	TUBE SAFETY FRONT BOTTOM
23	2075-755	1	TUBE SAFETY FRONT TOP
24	2075-756	1	TUBE SAFETY FRONT BOTTOM
25	2095-327	1	HOSE, -12, 1000PSI, 12G16FFORX90S, 12G10FFORX90S,
26	0090-384	2	CLAMP T-BOLT 1.875 TO 2.125
27	2096-181	1	TUBE COOLER (SEE NOTE IN ILLUSTRATION)
28	0201-154	1	RELIEF,TANK,O-RING,0-3 PSI
29	2045-119	1	TEE CASE DRAIN
30	0310-286	2	O-RING,8 ORFF,2-014 N0552
31	0310-289	1	O-RING,16 ORFF,2-021 N0552
32	2076-527	1	HOSE -12, 6000 PSI, 12FFORX90S, 12FLC60_035, 260^,
33	2095-691	1	HOSE, -12, 6000 PSI, 12 FFORX90S, 12FLC60_035, 258^,
34	2095-693	1	HOSE, -8, 400 PSI, 8FFORX, 8FFORX, 0^, 75.52"
35	2076-555	1	HOSE, -4, 450 PSI, 4FFORX, 4FFORX, 0^, 81.75"
36	8040-426	8	NUT,HEX,NYLOCK,5/16-18 UNC,ZN
37	8050-262	16	WASHER,WROUGHT,5/16,STD,ZN
38	8102-142	4	CAPSCREW,HH,5/16-18x3.25,GD8
39	0090-207	1	KIT SPLIT FLANGE
40	2075-241	1	HOSE INTAKE AUX

REF. NO.	PART NUMBER	QTY.	DESCRIPTION
41	0303-175	2	HOSE,CLAMP,2.75,HI-TORQUE
42	2075-239	1	TUBE INTAKE AUX
43	2096-985	1	HOSE, -10, 200 PSI, 13.38"
44	0090-217	1	ADAPTER 4601-10-12-NWO
45	0310-557	1	ADAPTER,6MFFOR-4MB-90
46	2030-227	1	HOSE
47	8102-222	4	CAPSCREW,HH,3/8-16 UNCx1.0,GD8,ZN
48	8051-272	6	WASHER,SPRING LOCK,3/8,ZN
49	8050-282	4	WASHER,WROUGHT,3/8,STD,ZN
50	8102-220	2	CAPSCREW,HH,3/8-16x0.75",GD8
51	2075-422	1	WLMT MOUNT TRANSMISSION
52	2035-841	1	STOP RUBBER W/ 3/8 PLATE
53	2075-739	1	JOYSTICK LH ELECTRONIC
54	0315-149	2	CLAMP, FLEX GEAR, #10



Service Parts for item 53

PART	QTY	DESCRIPTION
0404-101	1	LH HANDLE WITH 12 PIN CONNECTOR
0404-102	1	LH HANDLE WITH 8 PIN CONNECTOR
0404-103	1	RUBBER BOOT

For machines with serial numbers prior to 00235 (RT-120) and 00330 (R350T): When purchasing item 27 (2096-181), you must also purchase and replace item 48 (2045-491) as part lengths have changed. Original length components are no longer available.

HYDRAULIC DRIVE / AUXILIARY

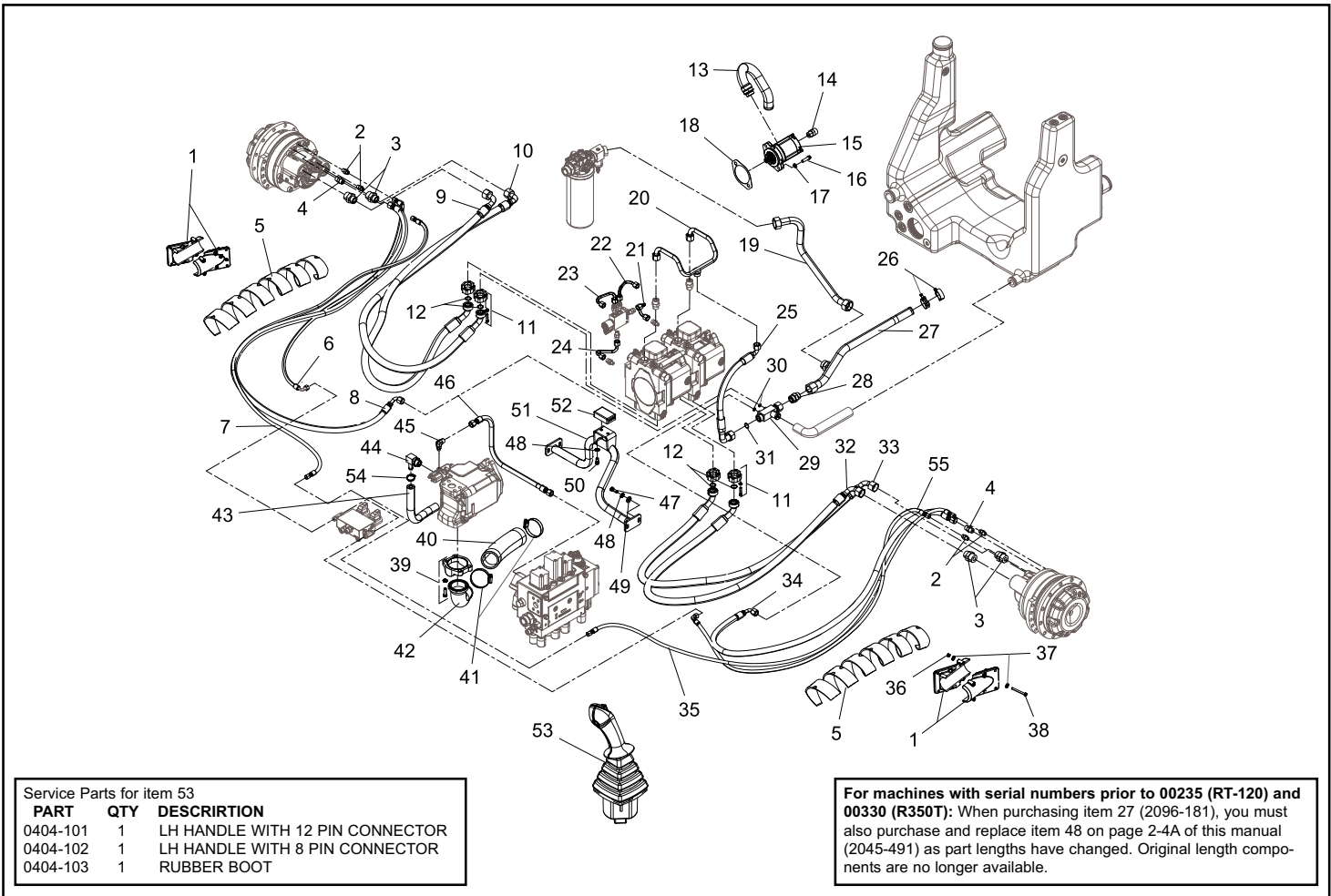
RT120 Serial #: 01049 - 01098

R350T Serial #: 01049 - 01098

Chapter 3

REF. NO.	PART NUMBER	QTY.	DESCRIPTION
1	2075-270	4	CLAMP HOSE DRIVE
2	0201-309	4	ADAPTER,FS6400-04-06-0
3	0314-011	4	ADAPTER,12MFFOR-16MB FS6400-12-16
4	0310-345	2	ADAPTER,8MFFOR-8MB
5	0090-737	2	HIGH DENSITY SPIRAL WRAP
6	2097-133	1	HOSE, -4, 450 PSI, 4FFORX, 4FFORX90, 63.3"
7	2097-131	1	HOSE, -4, 450 PSI, 4FFORX, 4FFORX90L, 63.9"
8	2097-135	1	HOSE, -8, 450 PSI, 8FFORX, 8FFORX90L, 69"
9	2076-525	1	HOSE -12, 6000 PSI, 12FFORX90S, 12FLC60_035, 78°, 74.0"
10	2097-138	1	HOSE, -12, 6000 PSI, 12FFORX90, 12FLC60_035, 85°, 72.5"
11	0700-172	2	FLANGE,HALF,12
12	0201-558	1	O-RING,0.984IDx0.139CS
13	2096-543	1	TUBE INTAKE CHARGE
14	0310-318	1	ADAPTER,10MFFOR-10MB
15	2096-213	1	PUMP GEAR 19CC REAR PORT
16	0090-684	2	CAPSCREW, FERRY, M10 x 1.5 x 35mm
17	0090-104	2	WASHER .402 x .728 x .098 HARD
18	0302-322	1	GASKET,PTO 68-G04
19	2096-254	1	TUBE FILTER COOLER
20	2095-098	1	TUBE CASE DRAIN TRANS
21	2075-757	1	TUBE SAFETY REAR
22	2075-756	1	TUBE SAFETY FRONT BOTTOM
23	2075-755	1	TUBE SAFETY FRONT TOP
24	2075-756	1	TUBE SAFETY FRONT BOTTOM
25	2095-327	1	HOSE, -12, 1000PSI, 12G16FFORX90S, 12G10FFORX90S,
26	0090-384	2	CLAMP T-BOLT 1.875 TO 2.125
27	2096-181	1	TUBE COOLER (SEE NOTE IN ILLUSTRATION)
28	0201-154	1	RELIEF,TANK,O-RING,0-3 PSI
29	2045-119	1	TEE CASE DRAIN
30	0310-286	2	O-RING,8 ORFF,2-014 N0552
31	0310-289	1	O-RING,16 ORFF,2-021 N0552
32	2097-137	1	HOSE, -12, 6000 PSI, 12FFORX9012FLC60_035, 250°, 74.75"
33	2097-139	1	HOSE, -12, 6000 PSI, 12FFORX90, 12FLC60_035, 253°, 79.8"
34	2097-136	1	HOSE, -8, 450 PSI, 8FFORX, 8FFORX90, 62.5"
35	2097-132	1	HOSE, -4, 450 PSI, 4FFORX, 4FFORX, 0°, 69.75"
36	8040-426	8	NUT,HEX,NYLOCK,5/16-18 UNC,ZN
37	8050-262	16	WASHER,WROUGHT,5/16,STD,ZN
38	8102-142	4	CAPSCREW,HH,5/16-18x3.25,GD8
39	0090-207	1	KIT SPLIT FLANGE
40	2075-241	1	HOSE INTAKE AUX

REF. NO.	PART NUMBER	QTY.	DESCRIPTION
41	0303-175	2	HOSE,CLAMP,2.75,HI-TORQUE
42	2075-239	1	TUBE INTAKE AUX
43	2096-985	1	HOSE, -10, 200 PSI, 13.38"
44	0090-217	1	ADAPTER 4601-10-12-NWO
45	0310-557	1	ADAPTER,6MFFOR-4MB-90
46	2030-227	1	HOSE
47	8102-222	4	CAPSCREW,HH,3/8-16 UNCx1.0,GD8,ZN
48	8051-272	6	WASHER,SPRING LOCK,3/8,ZN
49	8050-282	4	WASHER,WROUGHT,3/8,STD,ZN
50	8102-220	2	CAPSCREW,HH,3/8-16x0.75",GD8
51	2075-422	1	WLMT MOUNT TRANSMISSION
52	2035-841	1	STOP RUBBER W/ 3/8 PLATE
53	2075-739	1	JOYSTICK LH ELECTRONIC
54	0315-149	2	CLAMP, FLEX GEAR, #10
55	2097-134	1	HOSE, -4, 450 PSI, 4FFORX90L, 4FFORX90S, 155°, 56"



Service Parts for item 53

PART	QTY	DESCRIPTION
0404-101	1	LH HANDLE WITH 12 PIN CONNECTOR
0404-102	1	LH HANDLE WITH 8 PIN CONNECTOR
0404-103	1	RUBBER BOOT

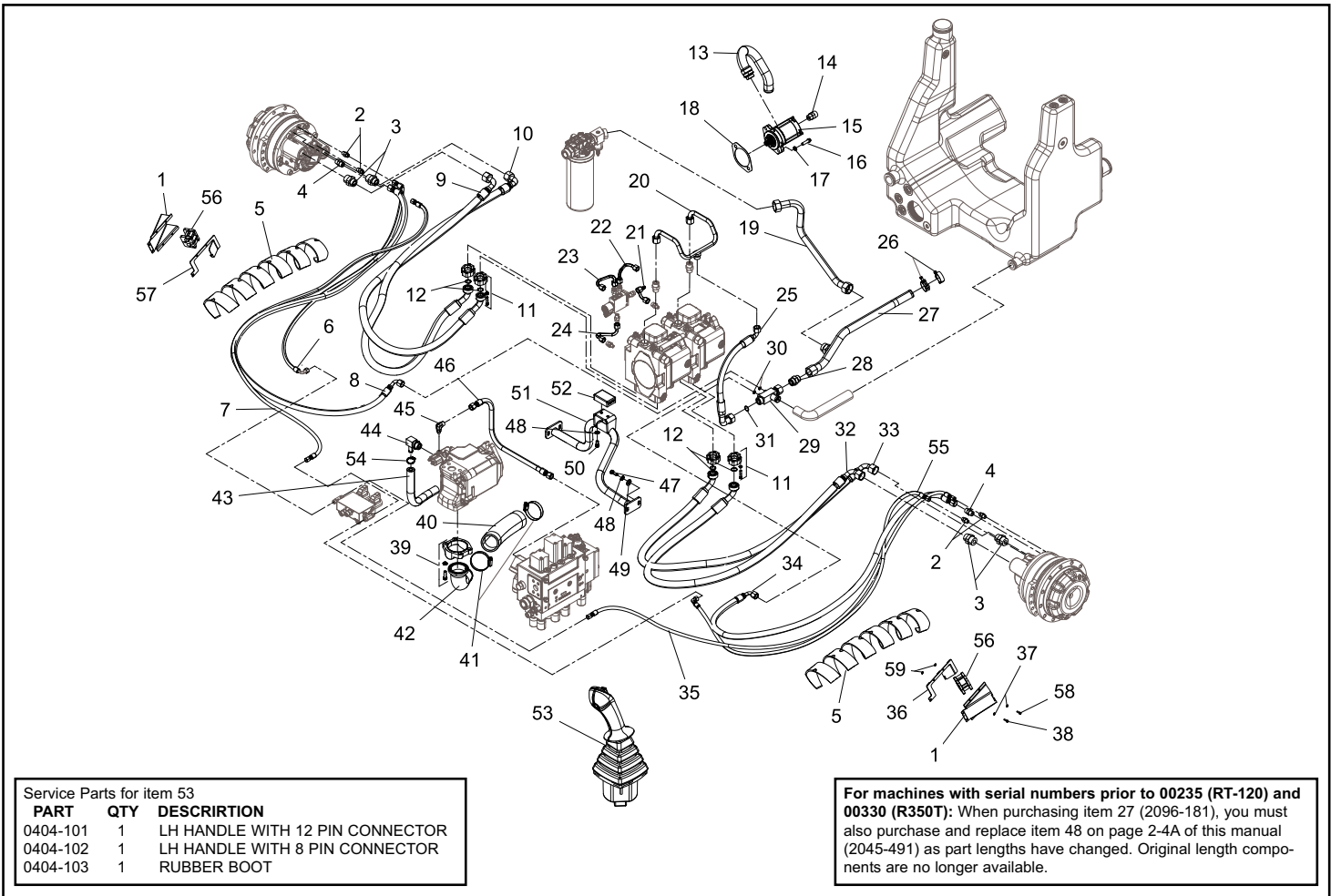
For machines with serial numbers prior to 00235 (RT-120) and 00330 (R350T): When purchasing item 27 (2096-181), you must also purchase and replace item 48 on page 2-4A of this manual (2045-491) as part lengths have changed. Original length components are no longer available.

HYDRAULIC DRIVE / AUXILIARY

RT120 Serial #: valid from - 01099
R350T Serial #: valid from - 01099

REF. NO.	PART NUMBER	QTY.	DESCRIPTION
1	2097-169	2	PLATE, COVER, HOSE
2	0201-309	4	ADAPTER,FS6400-04-06-0
3	0314-011	4	ADAPTER,12MFFOR-16MB FS6400-12-16
4	0310-345	2	ADAPTER,8MFFOR-8MB
5	0090-737	2	HIGH DENSITY SPIRAL WRAP
6	2097-172	1	HOSE, -4, 450 PSI,FFX-04-04, FFX90-04-04, 61.9"
7	2097-131	1	HOSE, -4, 450 PSI, 4FFORX, 4FFORX90L, 63.9"
8	2097-135	1	HOSE, -8, 450 PSI, 8FFORX, 8FFORX90L, 69"
9	2076-525	1	HOSE -12, 6000 PSI, 12FFORX90S, 12FLC60_035, 78°, 74.0"
10	2097-138	1	HOSE, -12, 6000 PSI, 12FFORX90, 12FLC60_035, 85°, 72.5"
11	0700-172	2	FLANGE,HALF,12
12	0201-558	1	O-RING,0.984IDx0.139CS
13	2096-543	1	TUBE INTAKE CHARGE
14	0310-318	1	ADAPTER,10MFFOR-10MB
15	2096-213	1	PUMP GEAR 19CC REAR PORT
16	0090-684	2	CAPSCREW, FERRY, M10 x 1.5 x 35mm
17	0090-104	2	WASHER .402 x .728 x .098 HARD
18	0302-322	1	GASKET,PTO 68-G04
19	2096-254	1	TUBE FILTER COOLER
20	2095-098	1	TUBE CASE DRAIN TRANS
21	2075-757	1	TUBE SAFETY REAR
22	2075-756	1	TUBE SAFETY FRONT BOTTOM
23	2075-755	1	TUBE SAFETY FRONT TOP
24	2075-756	1	TUBE SAFETY FRONT BOTTOM
25	2095-327	1	HOSE, -12, 1000PSI, 12G16FFORX90S, 12G10FFORX90S,
26	0090-384	2	CLAMP T-BOLT 1.875 TO 2.125
27	2096-181	1	TUBE COOLER (SEE NOTE IN ILLUSTRATION)
28	0201-154	1	RELIEF,TANK,O-RING,0-3 PSI
29	2045-119	1	TEE CASE DRAIN
30	0310-286	2	O-RING,8 ORFF,2-014 N0552
31	0310-289	1	O-RING,16 ORFF,2-021 N0552
32	2097-137	1	HOSE, -12, 6000 PSI, 12FFORX9012FLC60_035, 250°, 74.75"
33	2097-170	1	HOSE, -12, 6000 PSI, 12FFORX90, 12FLC60_035, 253°, 83.8"
34	2097-136	1	HOSE, -8, 450 PSI, 8FFORX, 8FFORX90, 62.5"
35	2097-132	1	HOSE, -4, 450 PSI, 4FFORX, 4FFORX, 0°, 69.75"
36	2097-157	1	WLMT, INSIDE COVER, HOSE, LH
37	8050-222	6	WASHER,WROUGHT,1/4,STD,ZN
38	8102-132	4	CAPSCREW,HH,5/16-18UNCx1.0 GD8 ,ZN
39	0090-207	1	KIT SPLIT FLANGE
40	2075-241	1	HOSE INTAKE AUX

REF. NO.	PART NUMBER	QTY.	DESCRIPTION
41	0303-175	2	HOSE,CLAMP,2.75,HI-TORQUE
42	2075-239	1	TUBE INTAKE AUX
43	2096-985	1	HOSE, -10, 200 PSI, 13.38"
44	0090-217	1	ADAPTER 4601-10-12-NWO
45	0310-557	1	ADAPTER,6MFFOR-4MB-90
46	2030-227	1	HOSE
47	8102-222	4	CAPSCREW,HH,3/8-16 UNCx1.0,GD8,ZN
48	8051-272	6	WASHER,SPRING LOCK,3/8,ZN
49	8050-282	4	WASHER,WROUGHT,3/8,STD,ZN
50	8102-220	2	CAPSCREW,HH,3/8-16x0.75",GD8
51	2075-422	1	WLMT MOUNT TRANSMISSION
52	2035-841	1	STOP RUBBER W/ 3/8 PLATE
53	2075-739	1	JOYSTICK LH ELECTRONIC
54	0315-149	2	CLAMP, FLEX GEAR, #10
55	2097-171	1	HOSE, -4, 500 PSI, FFX90L-04-04, FFX90-04-04, 155', 54"
56	3020-231	2	CLAMP HOSE 5 HOLE
57	2097-158	1	WLMT, INSIDE COVER, HOSE, RH
58	8102-128	2	CAPSCREW,HH 5/16-18UNCx7/8 GR8 ZN
59	0090-105	4	NUT PUSH 5/16"



Service Parts for item 53

PART	QTY	DESCRIPTION
0404-101	1	LH HANDLE WITH 12 PIN CONNECTOR
0404-102	1	LH HANDLE WITH 8 PIN CONNECTOR
0404-103	1	RUBBER BOOT

For machines with serial numbers prior to 00235 (RT-120) and 00330 (R350T): When purchasing item 27 (2096-181), you must also purchase and replace item 48 on page 2-4A of this manual (2045-491) as part lengths have changed. Original length components are no longer available.

Chapter 4

Electrical

4-1 Dash Switches

RT120 Serial # valid from - 00200 **4-1A**

R350T Serial # valid from - 00300 **4-1A**

4-2 Fuse Panel

RT120 Serial # valid from - 00200 **4-2A**

R350T Serial # valid from - 00300 **4-2A**

4-3 Harness / Battery

RT120 Serial # valid from - 00200 **4-3A**

R350T Serial # valid from - 00300 **4-3A**

Parts manuals are updated on a regular basis.

Always refer to current online posted manuals to ensure you have the most up to date information prior to ordering parts.

NOTE: Ordering parts that are painted requires a specific part number format. Please refer to page II of this manual for paint code and ordering information.

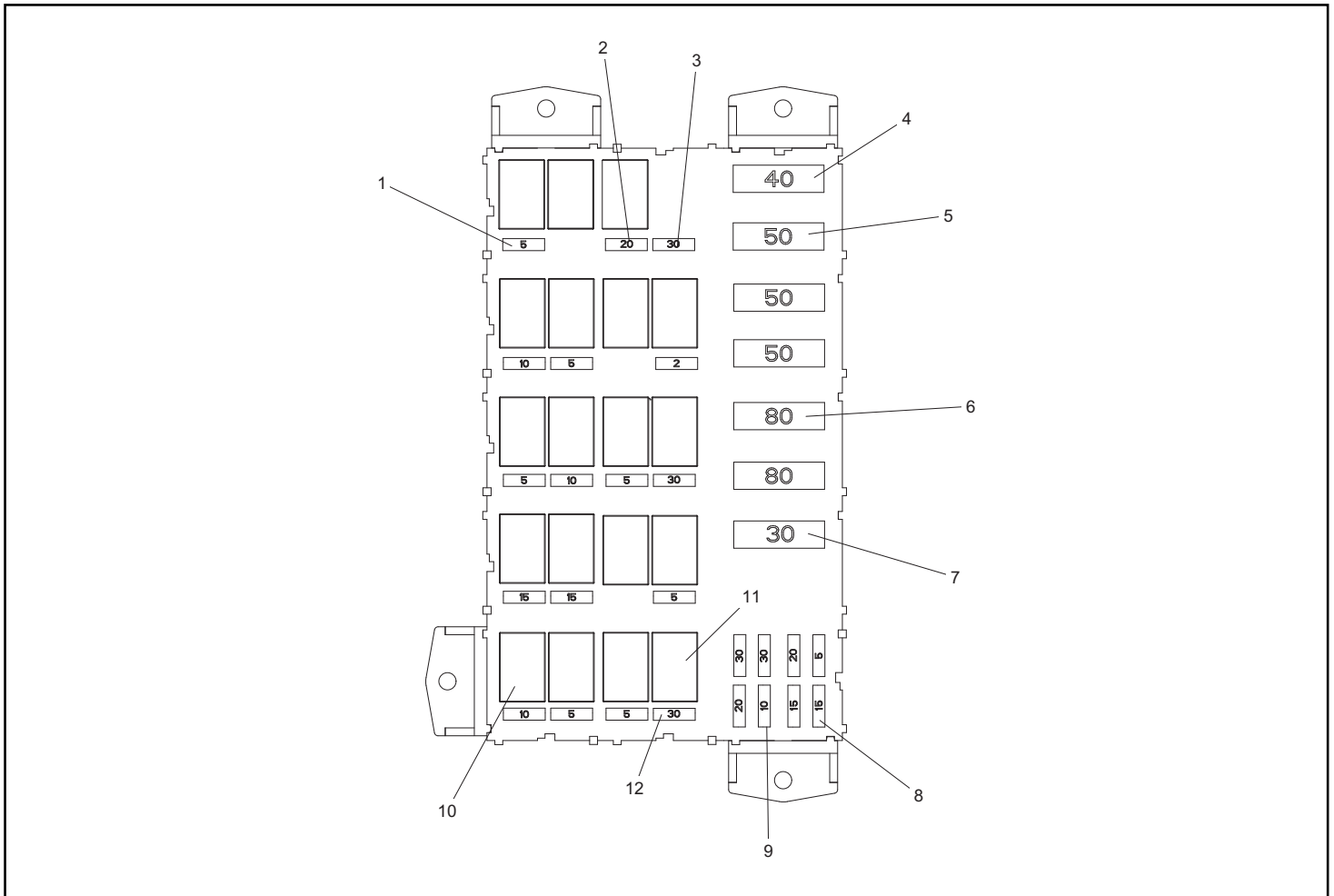
FUSE PANEL ASSEMBLY

RT120 Serial #: valid from - 00200

R350T Serial #: valid from - 00300

Chapter 4

REF. NO.	PART NUMBER	QTY.	DESCRITION	REF. NO.	PART NUMBER	QTY.	DESCRITION
1	0310-794	8	FUSE,MINI, 5 AMP 77055				
2	0310-797	4	FUSE,MINI,20 AMP 77205				
3	0310-799	5	FUSE,MINI,30 AMP 77305				
4	0310-802	1	FUSE,MAXI, 40 AMP 78503				
5	0310-803	3	FUSE,MAXI, 50 AMP 78504				
6	0310-805	2	FUSE,MAXI, 80 AMP 7460K51 - 80 AMP				
7	0310-801	1	FUSE,MAXI, 30 AMP 78502				
8	0310-796	4	FUSE,MINI,15 AMP 77155				
9	0310-795	3	FUSE,MINI,10 AMP 77105				
10	2095-910	19	RELAY SONG CHUAN, 301-1C-C-R1				
11	2096-905	1	RELAY MICRO SEAL				
12	2096-907	1	CIRCUIT BREAKER MINI 30 amp				



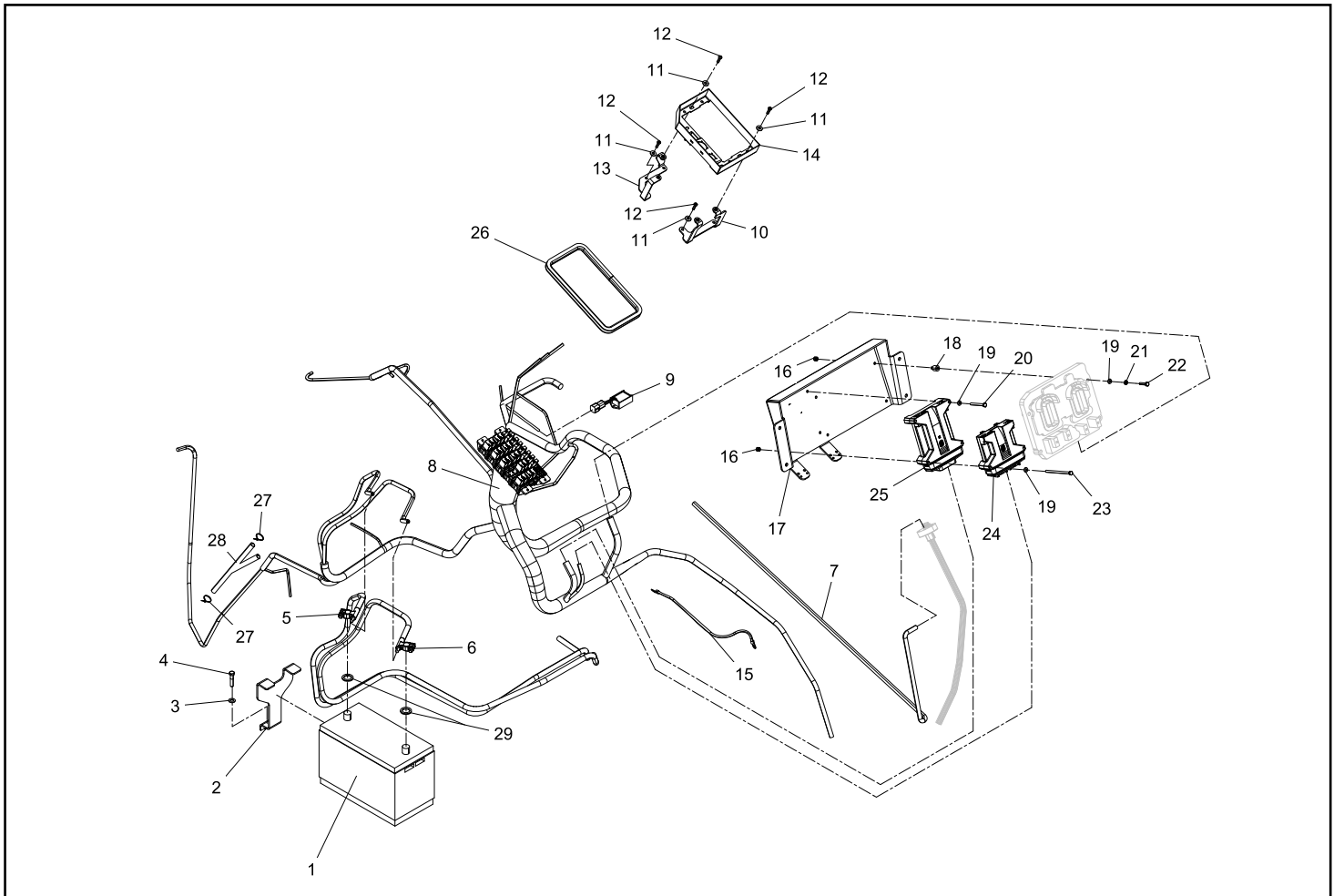
MAIN HARNESS / BATTERY

RT120 Serial #: valid from - 00200

R350T Serial #: valid from - 00300

Chapter 4

REF. NO.	PART NUMBER	QTY.	DESCRIPTION	REF. NO.	PART NUMBER	QTY.	DESCRIPTION
1	2076-392	1	BATTERY				
2	2075-673	1	WLMT HOOK BATTERY				
3	8050-277	1	WASHER,WROUGHT,3/8,SAE,ZN				
4	8102-226	1	CAPSCREW,HH 3/8-16UNCx1.75 GD8				
5	2096-354	1	CABLE BATTERY POSITIVE				
6	2096-355	1	CABLE BATTERY NEGATIVE				
7	2075-836	1	HARNESS FUEL SENDER				
8	2096-150	1	HARNESS CHASSIS				
9	2096-173	1	DIODE MODULE				
10	2095-758	1	WELDMENT BRACKET BOTTOM FUSE BOX				
11	8050-222	8	WASHER,WROUGHT,1/4,STD,ZN				
12	0090-457	8	CAPSCREW 1/4-20 X 1" ZINC BUTTON SOCKET				
13	2095-756	1	WELDMENT BRACKET TOP FUSE BOX				
14	2095-760	1	WELDMENT FUSE BOX SHALLOW				
15	2096-584	1	GROUND STRAP				
16	8040-366	8	NUT,HEX,NYLOCK,1/4-20 UNC,ZN				
17	2096-197	1	PLATE MNT CONTROLLERS				
18	2095-428	4	MNT RUBBER ECM				
19	8050-157	8	WASHER,WROUGHT, #10 3/16,STD,ZN				
20	8102-049	2	CAPSCREW,HH 1/4-20 x 2.50 GD8				
21	8051-212	4	WASHER,SPRING LOCK,1/4,ZN				
22	8102-044	4	CAPSCREW,HH,1/4-20UNCx1.25,GD8,ZN				
23	8102-057	2	CAPSCREW HH 1/4-20 X 4.5" GD8 ZN				
24	0090-673	1	MODULE, OUTPUT 24 PIN				
25	0090-654	1	MODULE CONTROLLER 50 PIN				
26	2096-862	1	TRIM FIRE WALL HARNESS				
27	0300-582	2	CABLE,TIE,SMALL				
28	2075-944	1	SLEEVE HEAT 3.25" X 18"				
29	0301-083	2	PROTECTOR, POST, BATTERY				



Chapter 5

Undercarriage

5-1 Torsion Axle

RT120 Serial # valid from - 00200 **5-1A**

R350T Serial # valid from - 00300 **5-1A**

5-2 Undercarriage Assembly, RT

RT120 Serial # valid from - 00200 **5-2A**

R350T Serial # valid from - 00300 **5-2A**

5-3 Undercarriage Assembly, LT

RT120 Serial # valid from - 00200 **5-3A**

R350T Serial # valid from - 00300 **5-3A**

5-4 Drive Table Assembly, RT

RT120 Serial # 00200 - 01048 **5-4A**

R350T Serial # 00300 - 01048 **5-4A**

RT120 Serial # valid from - 01049 **5-4B**

R350T Serial # valid from - 01049 **5-4B**

5-5 Drive Table Assembly, LT

RT120 Serial # 00200 - 01048 **5-5A**

R350T Serial # 00300 - 01048 **5-5A**

RT120 Serial # valid from - 01049 **5-5B**

R350T Serial # valid from - 01049 **5-5B**

Parts manuals are updated on a regular basis.

Always refer to current online posted manuals to ensure you have the most up to date information prior to ordering parts.

NOTE: Ordering parts that are painted requires a specific part number format. Please refer to page II of this manual for paint code and ordering information.

TORSION AXLE ASSEMBLY

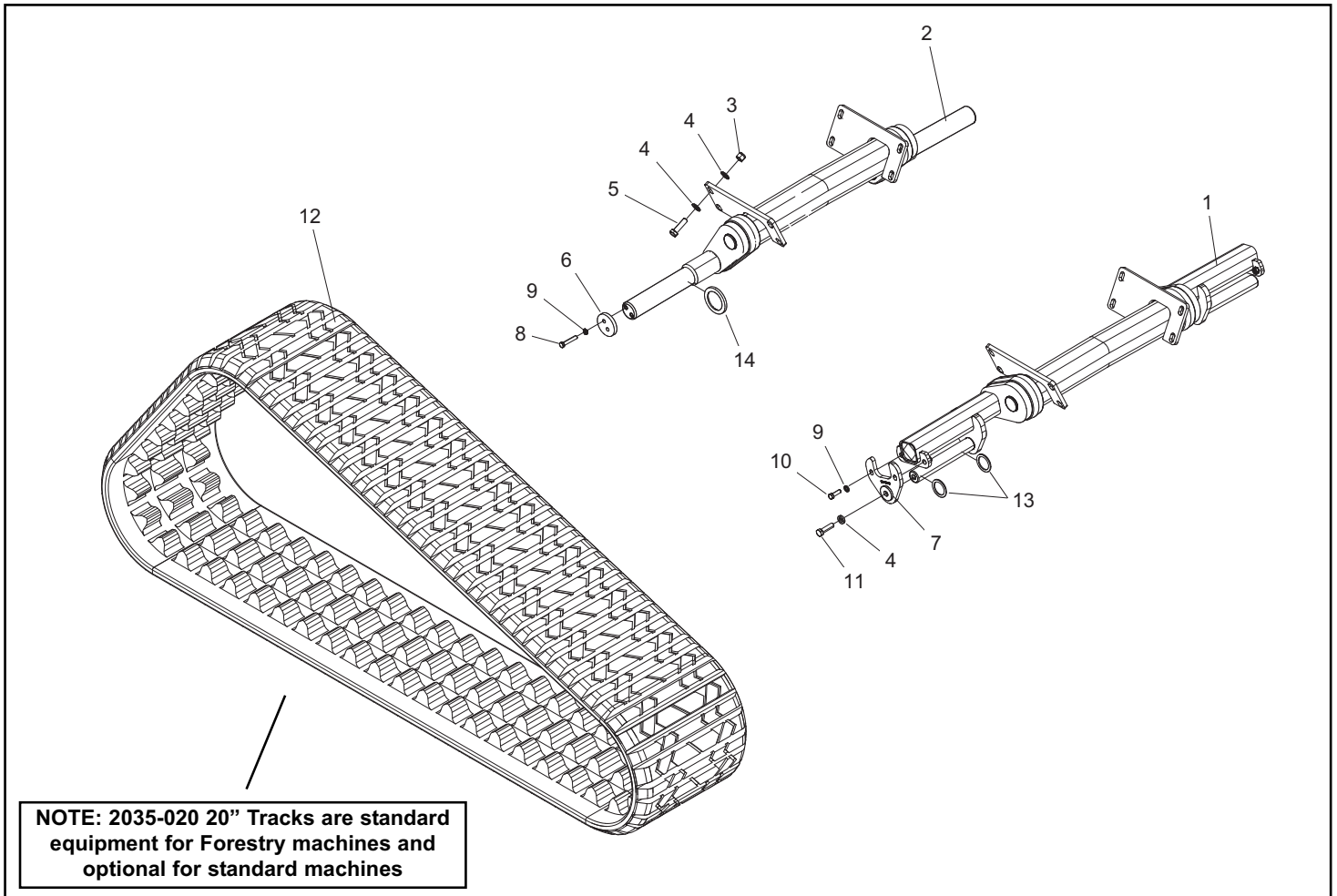
RT120 Serial #: valid from - 00200

R350T Serial #: valid from - 00300

Chapter 5

REF. NO.	PART NUMBER	QTY.	DESCRIPTION
1	2096-845	1	AXLE FRONT
2	2096-846	1	AXLE REAR
3	8040-726	16	NUT,HEX,NYLOCK,5/8-11 UNC,ZN
4	0700-287	34	WASHER,16mmX30mmX5mm
5	8102-588	16	CAPSCREW,HH,5/8-11UNCx2.25,GD8 ZN
6	0201-148	2	RETAINER,AXLE
7	2035-352	2	WLMT AXLE RETAINER
8	0301-764	4	CAPSCREW,HH,M12 x 1.75 x 65MM
9	2035-597	8	WASHER WROUGHT .0513 x .886 x 0118 HARD
10	0200-337	4	CAPSCREW,HH,M12x1.75x40MM,GR8.8
11	0090-254	2	CAPSCREW HH M16-2 x 70MM 10.9
12	2035-777	2	TRACK 18 x 201 (SEE NOTE)
13	2035-249	4	SPACER, AXLE
14	0201-147	2	SPACER,1.874X2.500X.125

REF. NO.	PART NUMBER	QTY.	DESCRIPTION



UNDERCARRIAGE ASSEMBLY, RT

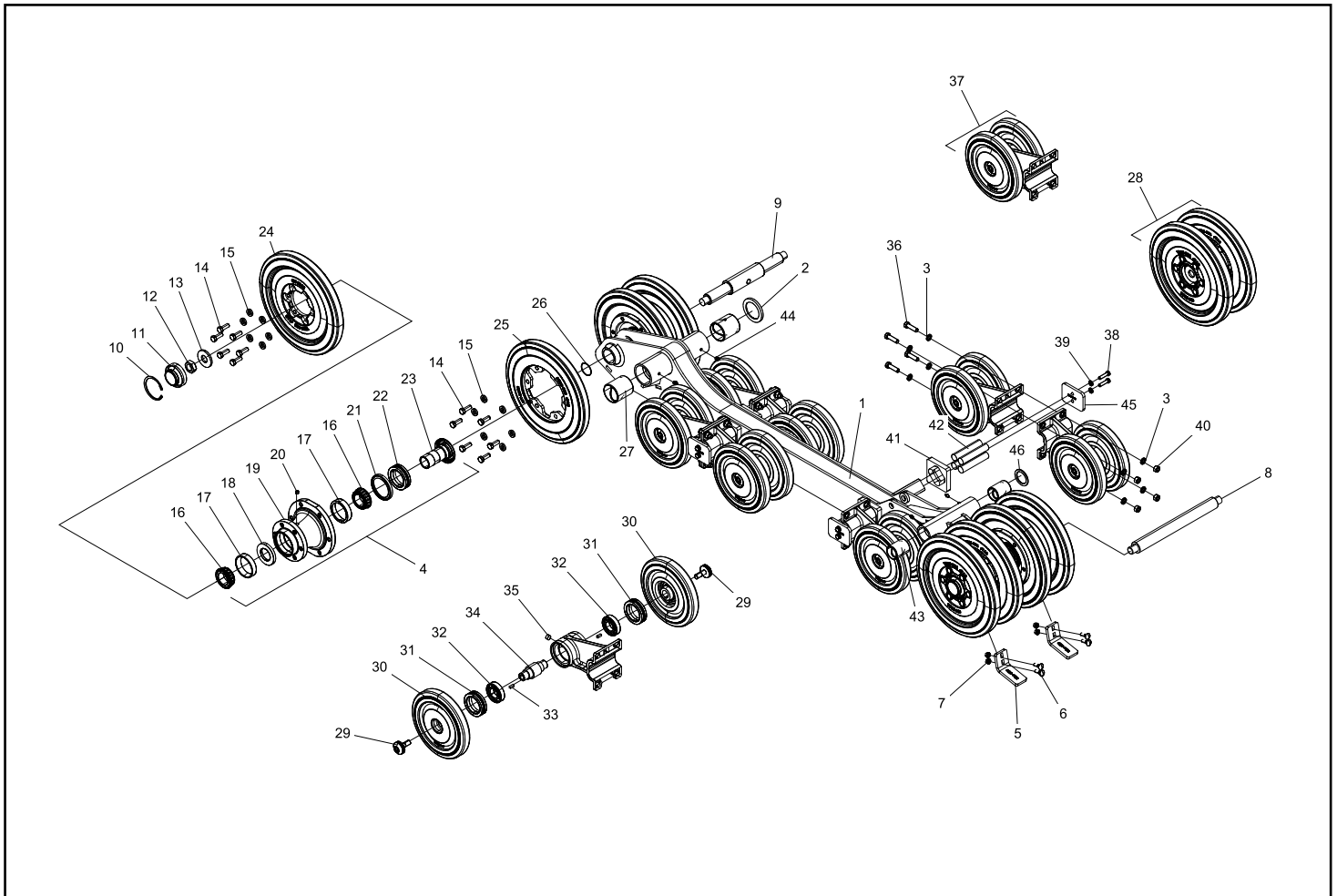
RT120 Serial #: valid from - 00200

R350T Serial #: valid from - 00300

Chapter 5

REF. NO.	PART NUMBER	QTY.	DESCRIPTION
1	2035-804	1	WLMT RAIL DUAL LEVEL
2	0201-147	2	SPACER, AXLE
3	2035-597	48	WASHER WROUGHT .531 x .886 x 0118 HARD ZN
4	2035-812	4	ASSY HUB SPOOL 15"
5	2035-159	4	SCRAPER, 14"
6	8111-224	8	BOLT,CARRIAGE,3/8-16UNCx1.25,G
7	2035-344	8	NUT SERRATED FLANGE,3/8-16,UNC
8	2035-733	1	AXLE C-SERIES
9	2035-149	1	AXLE,REAR,C-SERIES
10	2035-124	4	RING,SNAP,TUBE,WHEEL
11	2035-138	4	CAP,HUB,RUBBER BONDED
12	2035-093	4	NUT 1.00-8 JAM LOCK ALL STEEL
13	2035-092	4	WASHER,1.060x2.5x.250
14	2035-659	48	CAPSCREW HH 1/2-13 x 1.375 GR8
15	0090-136	48	WASHER HARD 1.0 X .531 X .197
16	2035-018	8	BEARING,CONE,25584-20395
17	2035-017	8	BEARING,CUP,25520-20082
18	2035-238	4	SEAL INTERNAL END
19	2035-814	4	HUB MACHINED SPOOL 15"
20	2035-320	12	PLUG 1/8" NRT HEX W/SEALANT
21	2035-360	4	RETAINER SEAL INNER
22	2035-189	4	ASSY,SEAL,EAGLE,FS-000461
23	2035-145	4	WLMT,SLEEVE,EAGLE
24	2035-713	4	WHEEL 15" OUTER
25	2035-712	4	WHEEL 15" INNER
26	2035-135	4	O-RING #31
27	2035-215	2	BUSHING,SPRING,2.50x2.75x3.00
28	2036-113	4	ASSY IDLER WHEEL ASSY
29	2035-289	16	BOLT O-RING FLANGE 5/8-18 SOC HD
30	2035-179	16	WHEEL 10" THIN
31	2035-189	16	ASSY,SEAL,EAGLE,FS-000461
32	0307-923	16	BEARING,BALL,6207-OPEN
33	2035-212	16	KEY .250 x .250 x .750"
34	2035-211	8	SHAFT HALF CARRIAGE
35	0301-103	8	PLUG,3/8-18 NRT, SOCKET HD
36	8102-406	16	CAPSCREW,HH,1/2-13UNCx1.75,GD8
37	2035-205	8	ASSY,BOGIE CARRIAGE,2ND LVL
38	8102-225	8	CAPSCREW,HH,3/8-16 UNCx1.5,GD8,ZN
39	0090-104	8	WASHER .402 x .728 x .098 HARD
40	8042-602	16	NUT,HEX,1/2-13 UNC,ZN

REF. NO.	PART NUMBER	QTY.	DESCRIPTION
41	2035-347	4	SPACER,UHMW,WALKING-TANDEM
42	2035-264	16	CORD,RUBBER,DUAL,LEVEL
43	2035-214	2	BUSHING,SPRING,1.75x2.00x2.50
44	0300-946	4	FITTING,GREASE,1/8 NRT
45	2035-206	4	PLATE,CAP
46	2035-249	2	SPACER, AXLE



UNDERCARRIAGE ASSEMBLY, LT

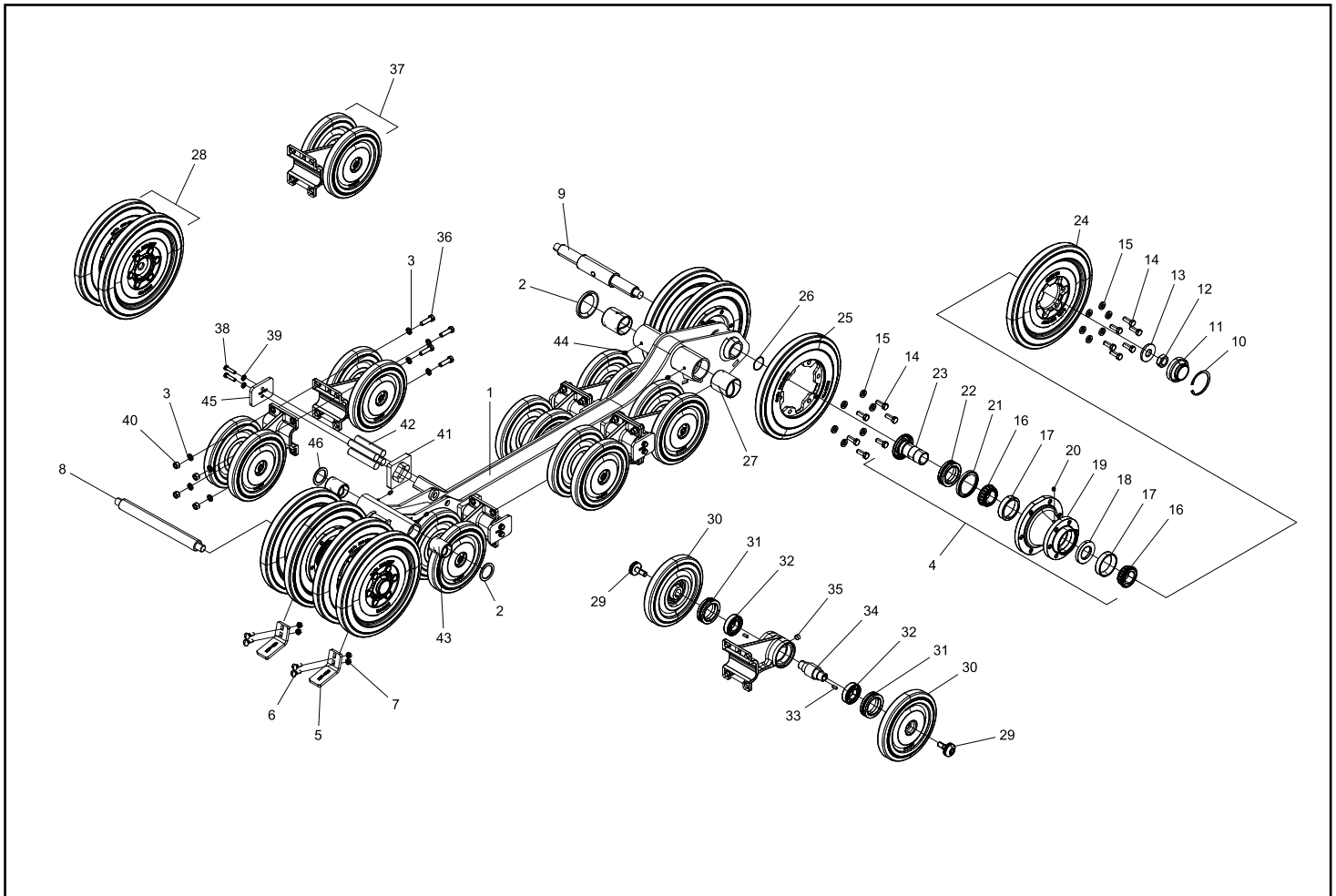
RT120 Serial #: valid from - 00200

R350T Serial #: valid from - 00300

Chapter 5

REF. NO.	PART NUMBER	QTY.	DESCRIPTION
1	2035-804	1	WLMT RAIL DUAL LEVEL
2	0201-147	2	SPACER, AXLE
3	2035-597	48	WASHER WROUGHT .531 x .886 x 0118 HARD ZN
4	2035-812	4	ASSY HUB SPOOL 15"
5	2035-159	4	SCRAPER, 14"
6	8111-224	8	BOLT,CARRIAGE,3/8-16UNCx1.25,G
7	2035-344	8	NUT SERRATED FLANGE,3/8-16,UNC
8	2035-733	1	AXLE C-SERIES
9	2035-149	1	AXLE,REAR,C-SERIES
10	2035-124	4	RING,SNAP,TUBE,WHEEL
11	2035-138	4	CAP,HUB,RUBBER BONDED
12	2035-093	4	NUT 1.00-8 JAM LOCK ALL STEEL
13	2035-092	4	WASHER,1.060x2.5x.250
14	2035-659	48	CAPSCREW HH 1/2-13 x 1.375 GR8
15	0090-136	48	WASHER HARD 1.0 X .531 X .197
16	2035-018	8	BEARING,CONE,25584-20395
17	2035-017	8	BEARING,CUP,25520-20082
18	2035-238	4	SEAL INTERNAL END
19	2035-814	4	HUB MACHINED SPOOL 15"
20	2035-320	12	PLUG 1/8" NRT HEX W/SEALANT
21	2035-360	4	RETAINER SEAL INNER
22	2035-189	4	ASSY,SEAL,EAGLE,FS-000461
23	2035-145	4	WLMT,SLEEVE,EAGLE
24	2035-713	4	WHEEL 15" OUTER
25	2035-712	4	WHEEL 15" INNER
26	2035-135	4	O-RING #31
27	2035-215	2	BUSHING,SPRING,2.50x2.75x3.00
28	2036-113	4	ASSY IDLER WHEEL ASSY
29	2035-289	16	BOLT O-RING FLANGE 5/8-18 SOC HD
30	2035-179	16	WHEEL 10" THIN
31	2035-189	16	ASSY,SEAL,EAGLE,FS-000461
32	0307-923	16	BEARING,BALL,6207-OPEN
33	2035-212	16	KEY .250 x .250 x .750"
34	2035-211	8	SHAFT HALF CARRIAGE
35	0301-103	8	PLUG,3/8-18 NRT, SOCKET HD
36	8102-406	16	CAPSCREW,HH,1/2-13UNCx1.75,GD8
37	2035-205	8	ASSY,BOGIE CARRIAGE,2ND LVL
38	8102-225	8	CAPSCREW,HH,3/8-16 UNCx1.5,GD8,ZN
39	0090-104	8	WASHER .402 x .728 x .098 HARD
40	8042-602	16	NUT,HEX,1/2-13 UNC,ZN

REF. NO.	PART NUMBER	QTY.	DESCRIPTION
41	2035-347	4	SPACER,UHMW,WALKING-TANDEM
42	2035-264	16	CORD,RUBBER,DUAL,LEVEL
43	2035-214	2	BUSHING,SPRING,1.75x2.00x2.50
44	0300-946	4	FITTING,GREASE,1/8 NRT
45	2035-206	4	PLATE,CAP
46	2035-249	2	SPACER, AXLE



Chapter 6

Mainframe

6-1 Chassis

RT120 Serial # 00200 - 00248 **6-1A**

R350T Serial # 00300 - 00339 **6-1A**

RT120 Serial # 00249 - 01098 **6-1B**

R350T Serial # 00340 - 01098 **6-1B**

RT120 Serial # valid from - 01099 **6-1C**

R350T Serial # valid from - 01099 **6-1C**

6-2 Side & Upper Hood Assemblies

RT120 Serial # valid from - 00200 **6-2A**

R350T Serial # valid from - 00300 **6-2A**

6-3 Rear Door Assembly

RT120 Serial # valid from - 00200 **6-3A**

R350T Serial # valid from - 00300 **6-3A**

RT120 Serial # valid from - 00244 **6-3B**

R350T Serial # valid from - 00334 **6-3B**

Parts manuals are updated on a regular basis.

Always refer to current online posted manuals to ensure you have the most up to date information prior to ordering parts.

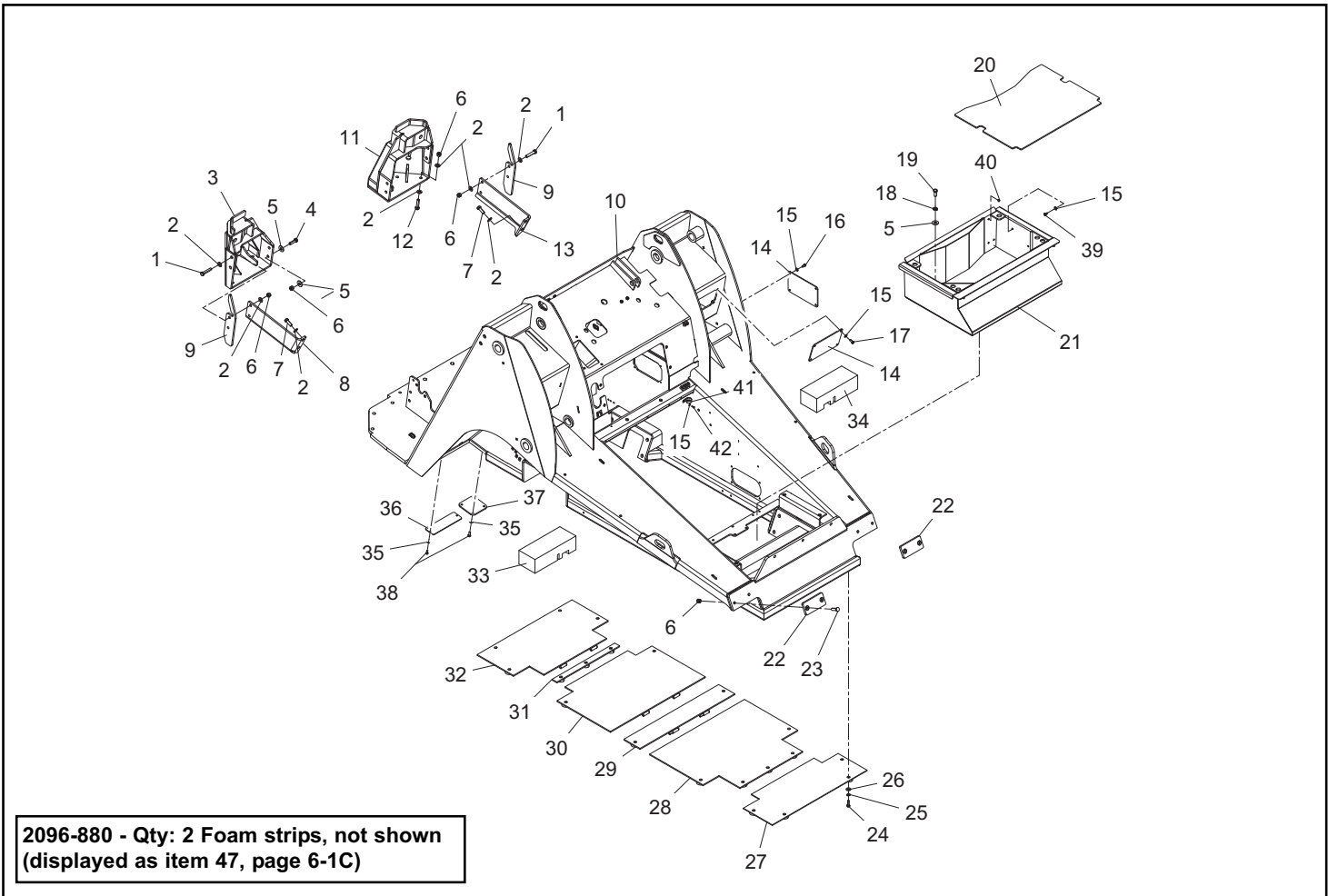
NOTE: Ordering parts that are painted requires a specific part number format. Please refer to page II of this manual for paint code and ordering information.

CHASSIS ASSEMBLY

RT120 Serial #: 00200 - 00248
R350T Serial #: 00300 - 00339

REF. NO.	PART NUMBER	QTY.	DESCRIPTION
1	8102-409	4	CAPSCREW,HH,1/2-13 UNCx2.5,GD8
2	8050-348	20	WASHER,1/2,SAE,ZN 1.06 OD x .531 ID x .090
3	2096-804	1	WLMT CORNER RH
4	8102-406	4	CAPSCREW,HH,1/2-13UNCx1.75,GD8
5	8050-347	8	WASHER,WROUGHT,1/2,STD,ZN
6	8040-606	12	NUT,HEX,NYLOCK,1/2-13 UNC,ZN
7	8102-405	4	CAPSCREW,HH,1/2-13 UNCx1.5,GD8
8	2096-720	1	PLATE, REAR CORNER BRACE RH
9	2096-856	2	PLATE, REAR CORNER BRACE
10	2096-066	1	WLMT CHASSIS PT120
11	2096-803	1	WLMT CORNER LH
12	8102-408	4	CAPSCREW,HH,1/2-13UNCx2.25 GD8
13	2096-669	1	PLATE, REAR CORNER BRACE LH
14	2096-465	2	COVER ACCESS 5X9
15	8050-222	10	WASHER,WROUGHT,1/4,STD,ZN
16	8102-129	4	CAPSCREW,HH,5/16-18UNCx5/8, GR
17	8102-130	4	CAPSCREW,HH 5/16-18x3/4,GR8
18	8051-332	4	WASHER,SPRING LOCK,1/2,ZN
19	8102-404	4	CAPSCREW,HH 1/2-13UNCx1.25 GD8 ZN
20	2095-960	1	MAT FLOOR
21	2095-961	1	FOOTWELL
22	0201-066	2	PLATE,BOLT
23	0201-483	4	BOLT,PLOW,1/2-13x2"
24	8102-224	20	CAPSCREW,HH,3/8-16UNCx1.25,GD8,ZN
25	8051-272	20	WASHER,SPRING LOCK,3/8,ZN
26	8050-282	20	WASHER,WROUGHT,3/8,STD,ZN
27	2095-788	1	WLMT PLATE SKID FRONT
28	2095-789	1	WLMT SKID CENTER FRONT W/ BOLT GUARDS
29	2095-836	1	WLMT SKID HINGE W/ BOLT GUARDS
30	2095-791	1	WLMT SKID CENTER REAR W/ BOLT GUARDS
31	2075-385	1	WLMT PLATE HINGE
32	2095-793	1	WLMT SKID REAR W/ BOLT GUARDS
33	2096-405	1	BLOCK, FOAM TOWER RH
34	2096-406	1	BLOCK, FOAM TOWER LH
35	8051-212	8	WASHER,SPRING LOCK,1/4,ZN
36	2076-102	2	COVER BASE TOWER
37	7000-019	1	SSL, MF. ACCESS COVER PLATE
38	8102-040	8	CAPSCREW,HH,1/4-20 UNCx.75,GD8 ZN
39	8102-037	2	CAPSCREW,HH,1/4-20 UNCx.50,GD8
40	0090-558	4	PLUG DOME .312 HOLE BLACK

REF. NO.	PART NUMBER	QTY.	DESCRIPTION
41	0090-616	1	J CLAMP 1 5/8"
42	8102-042	1	CAPSCREW, HH 1/4-20UNC 1" GD8



CHASSIS ASSEMBLY

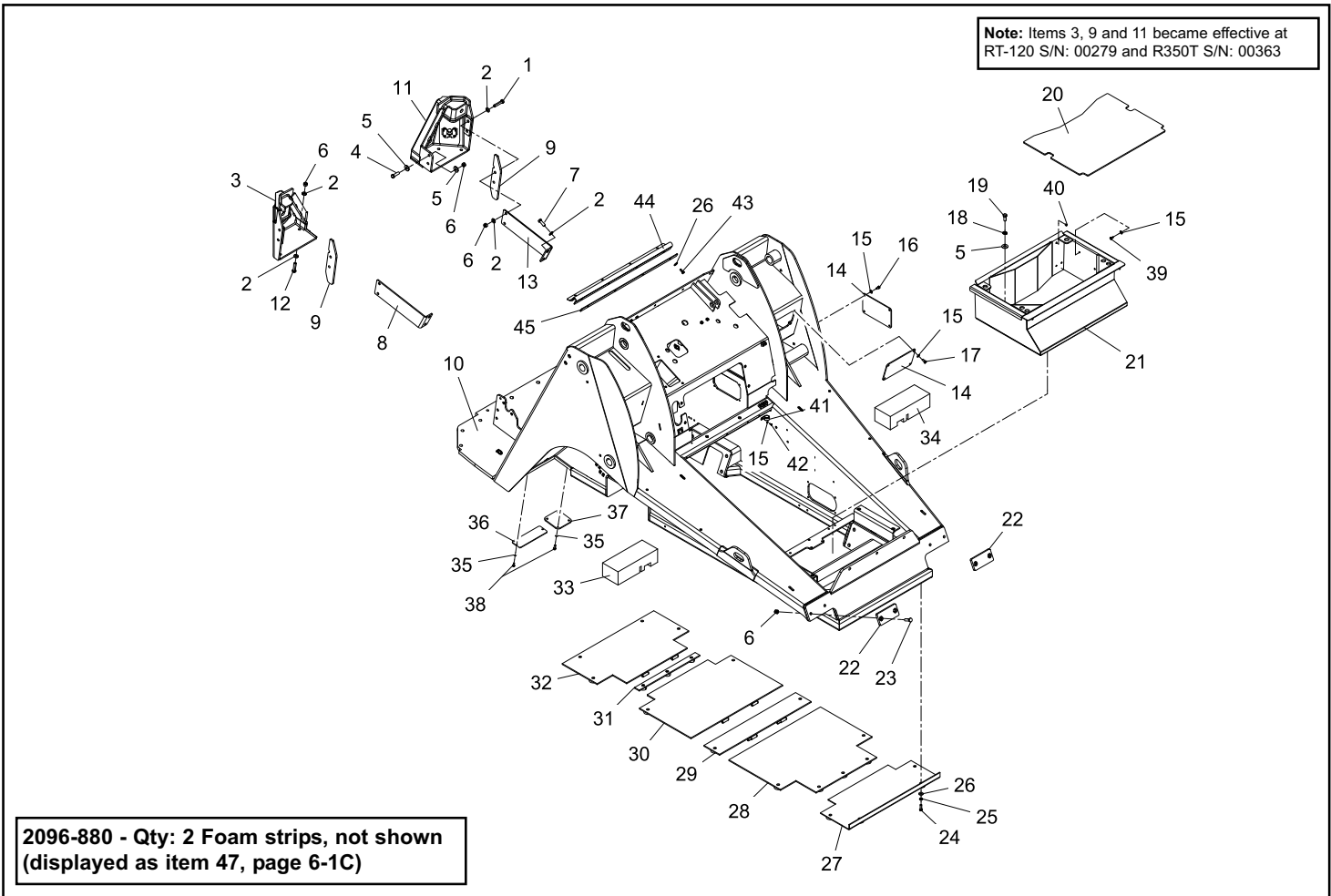
RT120 Serial #: 00249 - 01098

R350T Serial #: 00340 - 01098

Chapter 6

REF. NO.	PART NUMBER	QTY.	DESCRIPTION
1	8102-409	4	CAPSCREW,HH,1/2-13 UNCx2.5,GD8
2	8050-348	20	WASHER,1/2,SAE,ZN 1.06 OD x .531 ID x .090
3	2096-030	1	WLMT CORNER RH (see note)
4	8102-406	4	CAPSCREW,HH,1/2-13UNCx1.75,GD8
5	8050-347	8	WASHER,WROUGHT,1/2,STD,ZN
6	8040-606	12	NUT,HEX,NYLOCK,1/2-13 UNC,ZN
7	8102-405	4	CAPSCREW,HH,1/2-13 UNCx1.5,GD8
8	2096-720	1	PLATE, REAR CORNER BRACE RH
9	2096-037	2	PLATE, DOOR JAM (see note)
10	2096-066	1	WLMT CHASSIS PT120
11	2096-029	1	WLMT CORNER LH (see note)
12	8102-408	4	CAPSCREW,HH,1/2-13UNCx2.25 GD8
13	2096-669	1	PLATE, REAR CORNER BRACE LH
14	2096-465	3	COVER ACCESS 5X9
15	8050-222	26	WASHER,WROUGHT,1/4,STD,ZN
16	8102-129	12	CAPSCREW,HH,5/16-18UNCx5/8, GR
17	8102-130	4	CAPSCREW,HH 5/16-18x3/4,GR8
18	8051-332	4	WASHER,SPRING LOCK,1/2,ZN
19	8102-404	4	CAPSCREW,HH 1/2-13UNCx1.25 GD8 ZN
20	2095-960	1	MAT FLOOR
21	2095-961	1	FOOTWELL
22	0201-066	2	PLATE,BOLT
23	0201-483	4	BOLT,PLOW,1/2-13x2"
24	8102-224	20	CAPSCREW,HH,3/8-16UNCx1.25,GD8,ZN
25	8051-272	20	WASHER,SPRING LOCK,3/8,ZN
26	8050-282	24	WASHER,WROUGHT,3/8,STD,ZN
27	2095-788	1	WLMT PLATE SKID FRONT
28	2095-789	1	WLMT SKID CENTER FRONT W/ BOLT GUARDS
29	2095-836	1	WLMT SKID HINGE W/ BOLT GUARDS
30	2095-791	1	WLMT SKID CENTER REAR W/ BOLT GUARDS
31	2075-385	1	WLMT PLATE HINGE
32	2095-793	1	WLMT SKID REAR W/ BOLT GUARDS
33	2096-405	1	BLOCK, FOAM TOWER RH
34	2096-406	1	BLOCK, FOAM TOWER LH
35	8051-212	8	WASHER,SPRING LOCK,1/4,ZN
36	2076-102	2	COVER BASE TOWER
37	7000-019	1	SSL, MF. ACCESS COVER PLATE
38	8102-040	8	CAPSCREW,HH,1/4-20 UNCx.75,GD8 ZN
39	8102-037	2	CAPSCREW,HH,1/4-20 UNCx.50,GD8
40	0090-558	4	PLUG DOME .312 HOLE BLACK

REF. NO.	PART NUMBER	QTY.	DESCRIPTION
41	0090-616	1	J CLAMP 1 5/8"
42	8102-042	1	CAPSCREW, HH 1/4-20UNC 1" GD8
43	8102-222	4	CAPSCREW,HH,3/8-16 UNCx1.0,GD8,ZN
44	2096-941	1	SEAL, HOOD TO FRAME
45	2096-942	1	RETAINER HOOD SEAL



CHASSIS ASSEMBLY

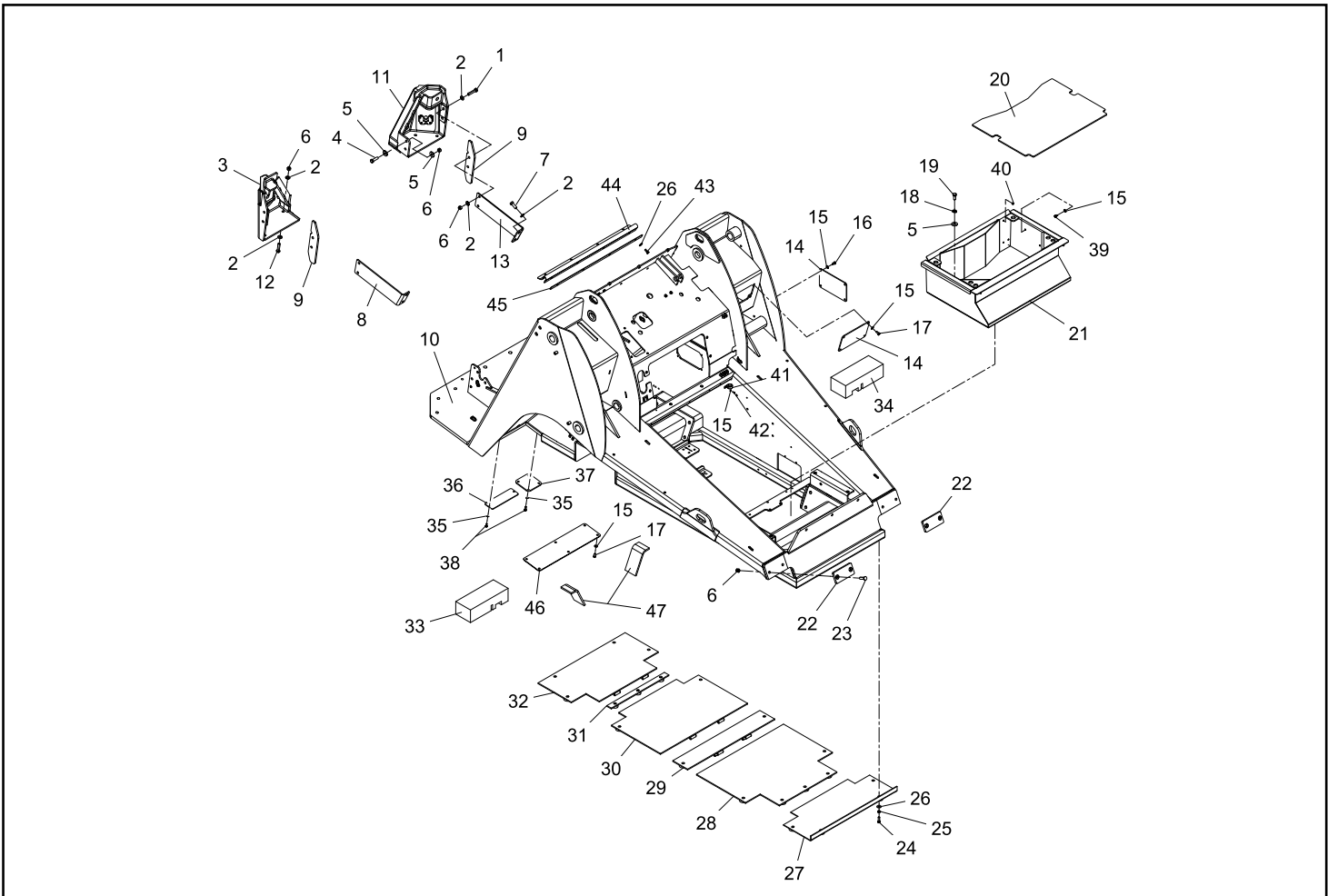
RT120 Serial #: valid from - 01099

R350T Serial #: valid from - 01099

Chapter 6

REF. NO.	PART NUMBER	QTY.	DESCRIPTION
1	8102-409	4	CAPSCREW,HH,1/2-13 UNCx2.5,GD8
2	8050-348	20	WASHER,1/2,SAE,ZN 1.06 OD x .531 ID x .090
3	2096-030	1	WLMT CORNER RH (see note)
4	8102-406	4	CAPSCREW,HH,1/2-13UNCx1.75,GD8
5	8050-347	8	WASHER,WROUGHT,1/2,STD,ZN
6	8040-606	12	NUT,HEX,NYLOCK,1/2-13 UNC,ZN
7	8102-405	4	CAPSCREW,HH,1/2-13 UNCx1.5,GD8
8	2096-720	1	PLATE, REAR CORNER BRACE RH
9	2096-037	2	PLATE, DOOR JAM (see note)
10	2097-001	1	WLMT, CHASSIS
11	2096-029	1	WLMT CORNER LH (see note)
12	8102-408	4	CAPSCREW,HH,1/2-13UNCx2.25 GD8
13	2096-669	1	PLATE, REAR CORNER BRACE LH
14	2096-465	3	COVER ACCESS 5X9
15	8050-222	32	WASHER,WROUGHT,1/4,STD,ZN
16	8102-129	12	CAPSCREW,HH,5/16-18UNCx5/8, GR
17	8102-130	10	CAPSCREW,HH 5/16-18x3/4,GR8
18	8051-332	4	WASHER,SPRING LOCK,1/2,ZN
19	8102-404	4	CAPSCREW,HH 1/2-13UNCx1.25 GD8 ZN
20	2095-960	1	MAT FLOOR
21	2095-961	1	FOOTWELL
22	0201-066	2	PLATE,BOLT
23	0201-483	4	BOLT,PLOW,1/2-13x2"
24	8102-224	20	CAPSCREW,HH,3/8-16UNCx1.25,GD8,ZN
25	8051-272	20	WASHER,SPRING LOCK,3/8,ZN
26	8050-282	24	WASHER,WROUGHT,3/8,STD,ZN
27	2095-788	1	WLMT PLATE SKID FRONT
28	2095-789	1	WLMT SKID CENTER FRONT W/ BOLT GUARDS
29	2095-836	1	WLMT SKID HINGE W/ BOLT GUARDS
30	2095-791	1	WLMT SKID CENTER REAR W/ BOLT GUARDS
31	2075-385	1	WLMT PLATE HINGE
32	2095-793	1	WLMT SKID REAR W/ BOLT GUARDS
33	2096-405	1	BLOCK, FOAM TOWER RH
34	2096-406	1	BLOCK, FOAM TOWER LH
35	8051-212	8	WASHER,SPRING LOCK,1/4,ZN
36	2076-102	2	COVER BASE TOWER
37	7000-019	1	SSL, MF. ACCESS COVER PLATE
38	8102-040	8	CAPSCREW,HH,1/4-20 UNCx.75,GD8 ZN
39	8102-037	2	CAPSCREW,HH,1/4-20 UNCx.50,GD8
40	0090-558	4	PLUG DOME .312 HOLE BLACK

REF. NO.	PART NUMBER	QTY.	DESCRIPTION
41	0090-616	1	J CLAMP 1 5/8"
42	8102-042	1	CAPSCREW, HH 1/4-20UNC 1" GD8
43	8102-222	4	CAPSCREW,HH,3/8-16 UNCx1.0,GD8,ZN
44	2096-941	1	SEAL, HOOD TO FRAME
45	2096-942	1	RETAINER HOOD SEAL
46	2097-121	1	PLATE, COVER, ACCESS
47	2096-880	2	FOAM STRIP



SIDE & UPPER HOOD ASSEMBLIES

RT120 Serial #: 00200 - 01178

R350T Serial #: 00300 - 01178

Chapter 6

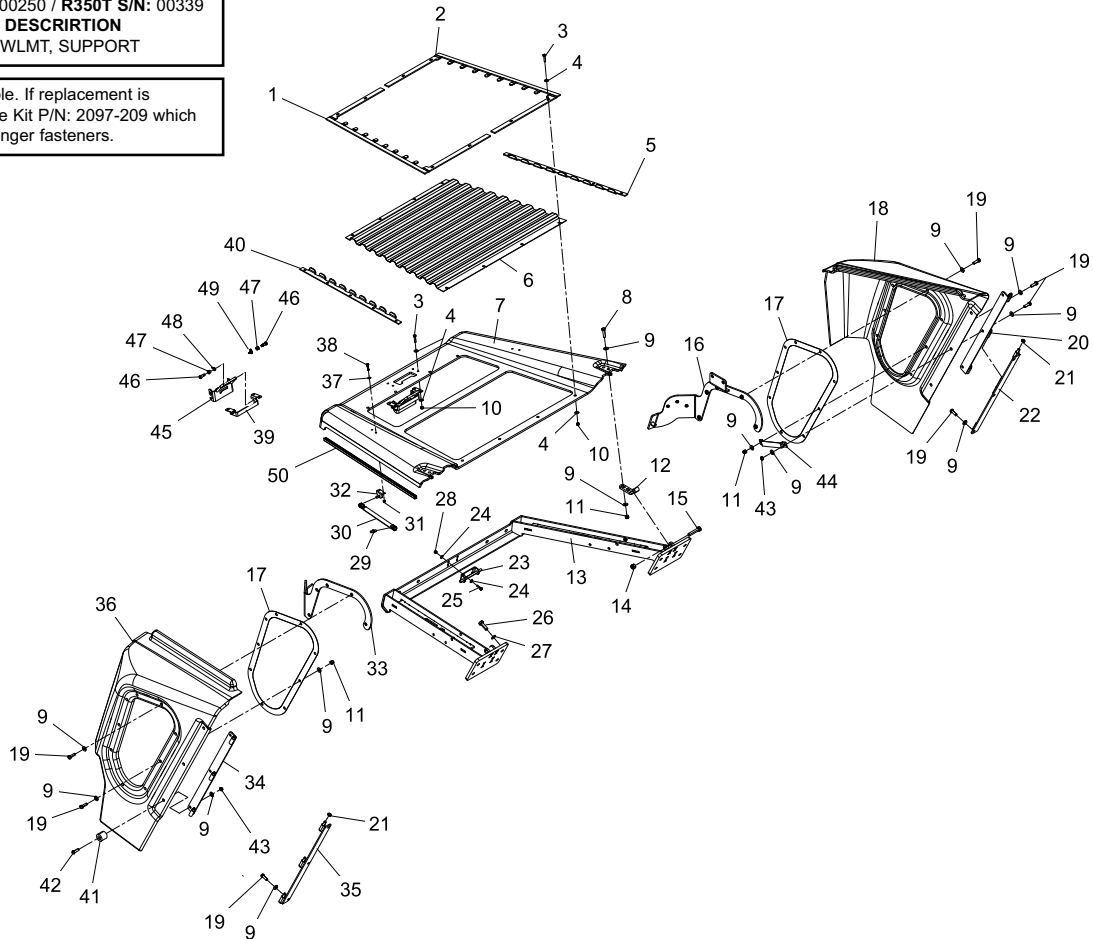
REF. NO.	PART NUMBER	QTY.	DESCRIPTION
1	2096-026	1	PLATE SHORT RH
2	2096-023	1	PLATE SHORT LH
3	8102-044	12	CAPSCREW,HH,1/4-20UNCx1.25,GD8,ZN
4	8050-222	24	WASHER,WROUGHT,1/4,STD,ZN
5	2096-020	1	STRIP BENT LH
6	2096-017	1	SCREEN TOP
7	2096-756	1	HOOD
8	8102-225	4	CAPSCREW,HH,3/8-16 UNCx1.5,GD8,ZN
9	8050-262	46	WASHER,WROUGHT,5/16,STD,ZN
10	8040-366	16	NUT,HEX,NYLOCK,1/4-20 UNC,ZN
11	8040-486	8	NUT,HEX,NYLOCK,3/8-16 UNC,ZN
12	2096-184	2	WLMT HINGE
13	2096-187	1	WLMT SUPPORT (SEE NOTE)
14	8040-606	2	NUT,HEX,NYLOCK,1/2-13 UNC,ZN
15	8102-409	2	CAPSCREW,HH,1/2-13 UNCx2.5,GD8
16	2096-828	1	WLMT MOUNT FILTER (SEE NOTE)
17	-----	2	(SEE NOTE)
18	2096-741	1	HOOD, SIDE LH
19	8102-224	26	CAPSCREW,HH,3/8-16UNCx1.25,GD8,ZN
20	2096-744	1	WLMT HINGE DOOR LH
21	0403-503	6	BUSHING WELD HINGE 3-15/16 W/ GRS ZRK
22	2096-751	1	WLMT, HINGE BASE LH
23	2096-718	1	CATCH HOOD
24	8050-221	8	WASHER,FLAT,1/4,SAE
25	8102-042	4	CAPSCREW, HH 1/4-20UNC 1" GD8
26	8102-405	8	CAPSCREW,HH,1/2-13 UNCx1.5,GD8
27	2035-597	8	WASHER WROUGHT .531 x .886 x 0118 HARD ZN
28	8040-366	4	NUT,HEX,NYLOCK,1/4-20 UNC,ZN
29	0304-495	2	STUD,BALL,10MM STUD
30	0200-232	2	SPRING,GAS ASSIST
31	8040-246	4	NUT,HEX,NYLOCK,10-24 UNC,ZN
32	0314-528	2	MOUNT GAS SPRING BALL 10MM
33	2096-831	1	WLMT CATCH
34	2096-745	1	HINGE WLMT DOOR RH
35	2096-752	1	WLMT, HINGE BASE RH
36	2096-743	1	HOOD, SIDE RH
37	8050-157	4	WASHER,WROUGHT, #10 3/16,STD,ZN
38	0090-165	4	SCREW MACHINE #10-24 X 1-1/4" ZN
39	7071-609	1	WLMT HOOD LATCH PIVOT
40	2096-027	1	STRIP BENT RH

REF. NO.	PART NUMBER	QTY.	DESCRIPTION
41	0090-693	4	BUMPER, 1.25 DIA X 1.0
42	0090-694	4	SCREW, SHBH 3/8-16 X 1.25 ZNC
43	8041-500	5	NUT,HEX,NYLOCK,3/8-16 UNC, THIN,ZN
44	2096-864	2	PLATE, FUEL LINE
45	2095-794	1	WLMT LATCH HOOD TOP
46	0090-137	2	BOLT 3/8 SHLDR x1/2 x5/16 -18
47	0090-139	2	BUSHING PLASTIC .5 OD X .38 ID
48	2095-273	1	SPRING TORSION HOOD LATCH LH
49	2095-274	1	SPRING TORSION HOOD LATCH RH
50	2097-175	2	TRIM, EDGE, HOOD, TOP

VALID FROM: RT-120 S/N:00250 / R350T S/N: 00339

ITEM	PART	QTY	DESCRIPTION
13	2096-983	1	WLMT, SUPPORT

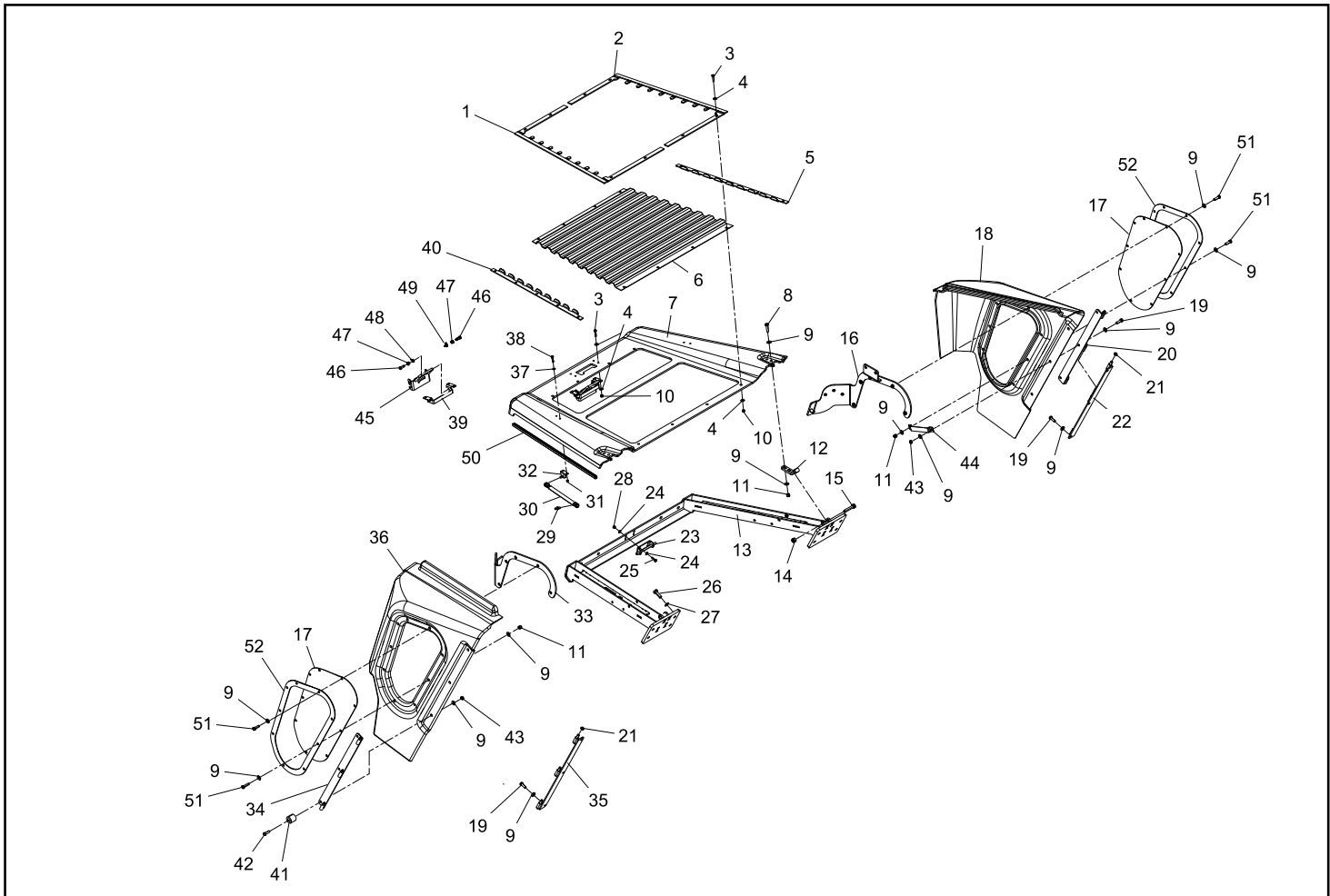
Item 17 is no longer available. If replacement is required, you must purchase Kit P/N: 2097-209 which contains screen, ring and longer fasteners.



SIDE & UPPER HOOD ASSEMBLIES

RT120 Serial #: valid from - 01179

REF. NO.	PART NUMBER	QTY.	DESCRIPTION	REF. NO.	PART NUMBER	QTY.	DESCRIPTION
1	2096-026	1	PLATE SHORT RH	41	0090-693	4	BUMPER, 1.25 DIA X 1.0
2	2096-023	1	PLATE SHORT LH	42	0090-694	4	SCREW, SHBH 3/8-16 X 1.25 ZNC
3	8102-044	12	CAPSCREW,HH,1/4-20UNCx1.25,GD8,ZN	43	8041-500	5	NUT,HEX,NYLOCK,3/8-16 UNC, THIN,ZN
4	8050-222	24	WASHER,WROUGHT,1/4,STD,ZN	44	2096-864	2	PLATE, FUEL LINE
5	2096-020	1	STRIP BENT LH	45	2095-794	1	WLMT LATCH HOOD TOP
6	2096-017	1	SCREEN TOP	46	0090-137	2	BOLT 3/8 SHLDR x1/2 x5/16 -18
7	2096-756	1	HOOD	47	0090-139	2	BUSHING PLASTIC .5 OD X .38 ID
8	8102-225	4	CAPSCREW,HH,3/8-16 UNCx1.5,GD8,ZN	48	2095-273	1	SPRING TORSION HOOD LATCH LH
9	8050-262	46	WASHER,WROUGHT,5/16,STD,ZN	49	2095-274	1	SPRING TORSION HOOD LATCH RH
10	8040-366	16	NUT,HEX,NYLOCK,1/4-20 UNC,ZN	50	2097-175	2	TRIM, EDGE, HOOD, TOP
11	8040-486	8	NUT,HEX,NYLOCK,3/8-16 UNC,ZN	51	8102-225	18	CAPSCREW,HH,3/8-16UNCx1.5,GD8
12	2096-184	2	WLMT HINGE	52	2097-178	2	RING, HOLD DOWN, SCREEN, SIDE
13	2096-983	1	WLMT, SUPPORT				
14	8040-606	2	NUT,HEX,NYLOCK,1/2-13 UNC,ZN				
15	8102-409	2	CAPSCREW,HH,1/2-13 UNCx2.5,GD8				
16	2096-828	1	WLMT MOUNT FILTER				
17	2097-125	2	SCREEN, HOOD, SIDE				
18	2096-741	1	HOOD, SIDE LH				
19	8102-224	8	CAPSCREW,HH,3/8-16UNCx1.25,GD8,ZN				
20	2096-744	1	WLMT HINGE DOOR LH				
21	0403-503	6	BUSHING WELD HINGE 3-15/16 W/ GRS ZRK				
22	2096-751	1	WLMT, HINGE BASE LH				
23	2096-718	1	CATCH HOOD				
24	8050-221	8	WASHER,FLAT,1/4,SAE				
25	8102-042	4	CAPSCREW, HH 1/4-20UNC 1" GD8				
26	8102-405	8	CAPSCREW,HH,1/2-13 UNCx1.5,GD8				
27	2035-597	8	WASHER WROUGHT .531 x .886 x 0118 HARD ZN				
28	8040-366	4	NUT,HEX,NYLOCK,1/4-20 UNC,ZN				
29	0304-495	2	STUD,BALL,10MM STUD				
30	0200-232	2	SPRING,GAS ASSIST				
31	8040-246	4	NUT,HEX,NYLOCK,10-24 UNC,ZN				
32	0314-528	2	MOUNT GAS SPRING BALL 10MM				
33	2096-831	1	WLMT CATCH				
34	2096-745	1	HINGE WLMT DOOR RH				
35	2096-752	1	WLMT, HINGE BASE RH				
36	2096-743	1	HOOD, SIDE RH				
37	8050-157	4	WASHER,WROUGHT, #10 3/16,STD,ZN				
38	0090-165	4	SCREW MACHINE #10-24 X 1-1/4" ZN				
39	7071-609	1	WLMT HOOD LATCH PIVOT				
40	2096-027	1	STRIP BENT RH				



Chapter 7

Standard Cab

7-1 Cab

RT120 Serial # valid from - 00200 **7-1A**

R350T Serial # valid from - 00300 **7-1A**

7-2 Cab Interior / Headliner

RT120 Serial # valid from - 00200 **7-2A**

R350T Serial # valid from - 00300 **7-2A**

RT120 Serial # valid from - 00281 **7-2B**

R350T Serial # valid from - 00803 **7-2B**

7-3 Door / Windows

RT120 Serial # valid from - 00200 **7-3A**

R350T Serial # valid from - 00300 **7-3A**

7-4 Wiper

RT120 Serial # valid from - 00200 **7-4A**

R350T Serial # valid from - 00300 **7-4A**

Parts manuals are updated on a regular basis.

Always refer to current online posted manuals to ensure you have the most up to date information prior to ordering parts.

NOTE: Ordering parts that are painted requires a specific part number format. Please refer to page II of this manual for paint code and ordering information.

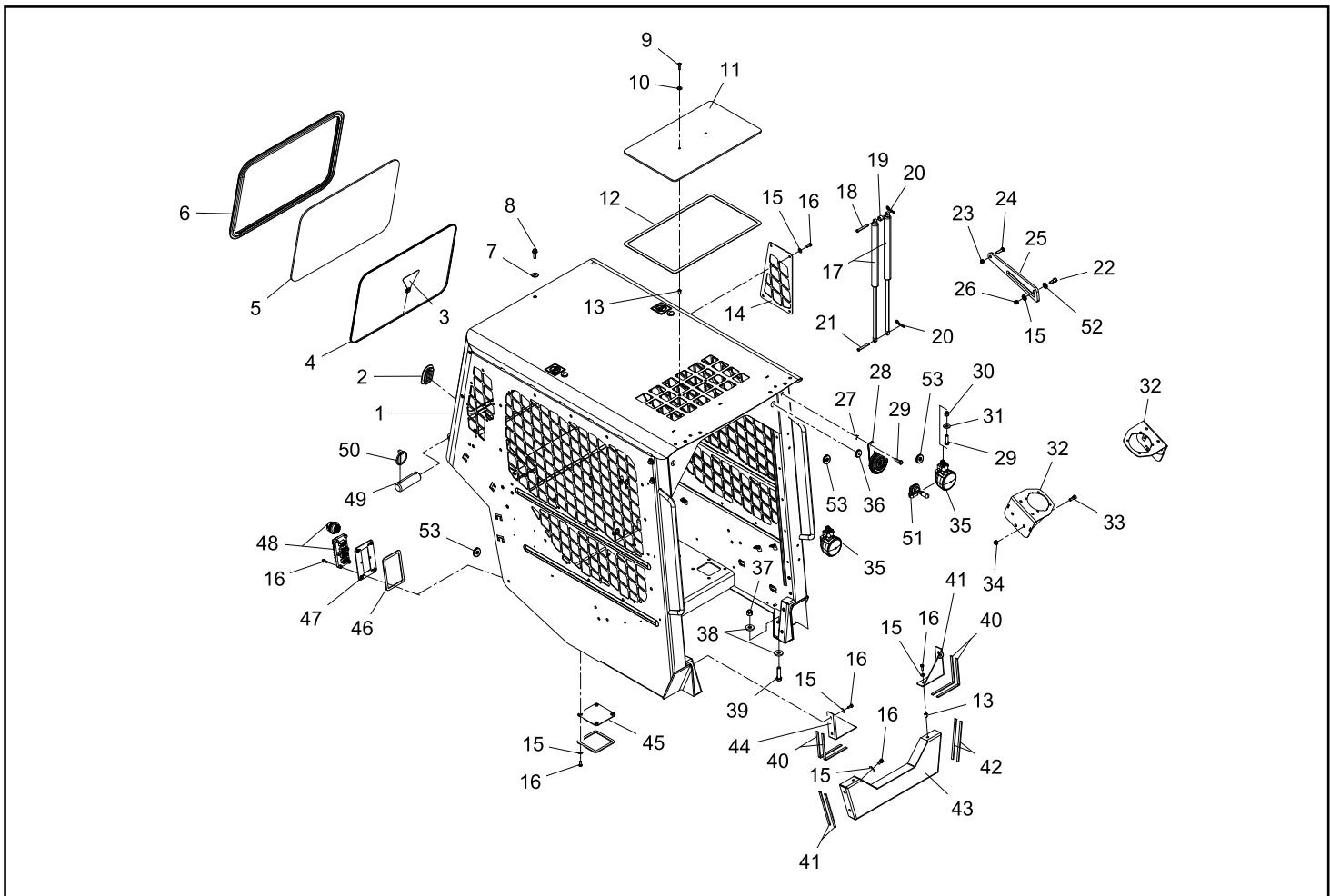
CAB ASSEMBLY

RT120 Serial #: valid from - 00200
R350T Serial #: valid from - 00300

Chapter 7

REF. NO.	PART NUMBER	QTY.	DESCRIPTION
1	2096-262	1	ROPS
2	7006-319	1	PLUG A/C LINE ACCESS
3	0201-748	1	ASSY,TAG,EMERGENCY EXIT
4	0090-533	1	80" PRECUT, SEAL, FILLER STRIP
5	2075-822	1	WINDOW REAR 16.25 X 23.25
6	0090-532	1	80" PRECUT, SEAL .125 OFFSET WINDOW LOCKING
7	0090-460	6	WASHER 3/8" x 1.125" RUBBER BONDED
8	0090-461	6	CAPSCREW HH 3/8-16UNC x 1.25 GD5 NON-SERRATED
9	8102-042	2	CAPSCREW, HH 1/4-20UNC 1" GD8
10	0090-325	2	WASHER 3/4"-5/16" RUBBER BONDED GALVANIZED
11	2095-705	1	PANEL ROOF POLYCARBONATE
12	0090-526	1	ADHESIVE LOCTITE 5512
13	0090-300	12	INSERT THREADED FLHD 1/4-20
14	7005-530	1	INSERT SIDE SCREEN
15	8050-222	23	WASHER,WROUGHT,1/4,STD,ZN
16	8102-040	22	CAPSCREW,HH,1/4-20 UNCx.75,GD8 ZN
17	2095-739	2	SPRING GAS 619MM 2300N
18	0090-602	1	CLEVIS PIN 5/16 X 2.5"
19	2076-147	1	SPACER
20	0090-603	2	HAIRPIN COTTER PIN 1/8 X1.92"
21	0090-602	1	CLEVIS PIN 5/16 X 2.5"
22	0090-137	1	BOLT 3/8 SHLDR x1/2 x5/16 -18
23	8040-426	1	NUT,HEX,NYLOCK,5/16-18 UNC,ZN
24	8102-134	1	CAPSCREW,HH,5/16-18UNCx1.25GD8 ZN
25	2095-940	1	ROD PROP SLOTTED W/PROTRUSION
26	8041-457	1	NUT,NYLOCK,5/16 - 18,THIN
27	0201-628	1	SPACER,CLAMP
28	0304-478	1	HORN - 164-9425
29	8102-224	3	CAPSCREW,HH,3/8-16UNCx1.25,GD8,ZN
30	8040-486	2	NUT,HEX,NYLOCK,3/8-16 UNC,ZN
31	8050-282	2	WASHER,WROUGHT,3/8,STD,ZN
32	0200-600	2	MNTS JOYSTICK
33	8102-222	6	CAPSCREW,HH,3/8-16 UNCx1.0,GD8,ZN
34	0314-269	6	NUT,FLANGE,TOPLK,3/8-16UNC,GDG,ZN
35	4046-060	2	LIGHT WORK REAR MODULE 70
36	2075-638	2	GROMMET WEB
37	8040-726	2	NUT,HEX,NYLOCK,5/8-11 UNC,ZN
38	7010-463	4	PLATE STRUCTURAL CAB WASHER
39	0201-897	2	CAPSCREW,5/8-11X2.5 GD8
40	2095-878	4	SEAL CORNER

REF. NO.	PART NUMBER	QTY.	DESCRIPTION
41	2096-297	1	PLATE DOOR FILLER
42	2095-877	4	SEAL TOE KICK
43	2096-398	1	WLMT FILLER TOE KICK
44	2095-582	1	PLATE DOOR FILLER
45	2095-883	2	WLMT PILOT LINE COVER
46	2095-882	1	SEAL HARNESS ADAPTER
47	2095-880	1	WLMT ADAPTER PLATE
48	2095-426	1	HARNESS CAB
49	0090-430	2	PIN ROPS
50	0090-065	4	PIN LYNCH 3/16 DIA x 1 9/16
51	4046-131	2	BULB HELLA
52	0090-104	1	WASHER 402 x .728 x .098 HARD
53	0090-550	3	GROMMET LIGHT HARNESS



CAB INTERIOR

RT120 Serial #: valid from - 00200

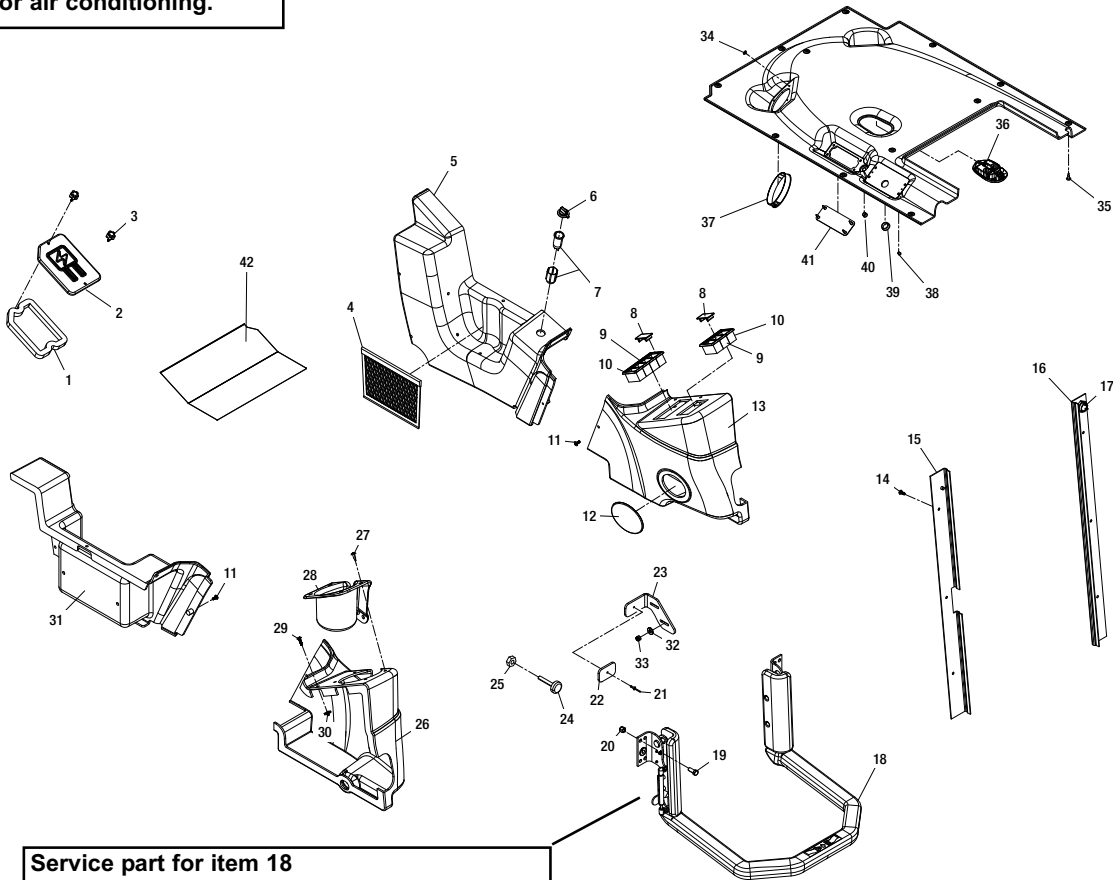
R350T Serial #: valid from - 00300

Chapter 7

REF. NO.	PART NUMBER	QTY.	DESCRIPTION
1	0090-405	1	FOAM MEMORY - 1.00 X 1.00 X 39
2	2076-288	1	COVER FUSE PANEL
3	0090-521	2	KNOB, FUSE PANEL COVER
4	2045-636	1	NET CARGO
5	2095-711	1	PANEL, REAR LH
6	0200-265	1	CAP,HOUSING,POWER SOURCE
7	0200-264	1	HOUSING,POWER SOURCE
8	0310-138	7	PLUG VHP-01 INDEX # 390-09002-001
9	0310-137	3	FRAME MID IMM-01
10	0310-136	4	FRAME END VME-01
11	0090-128	12	SCREW TH PH 10-24 x 5 SS
12	2075-222	1	PLUG HEATER VENT
13	2095-614	1	PANEL FRONT LH
14	8102-040	6	CAPSCREW,HH,1/4-20 UNCx.75,GD8 ZN
15	2095-512	1	COVER POST RH
16	2095-511	1	COVER POST LH
17	0090-268	1	BUZZER
18	0304-019	1	ASSY,LAP BAR
19	8102-404	4	CAPSCREW,HH 1/2-13UNCx1.25 GD8 ZN
20	8040-606	4	NUT,HEX,NYLOCK,1/2-13 UNC,ZN
21	8060-648	1	RIVET,BLIND,3/16 x .575
22	0200-321	1	PAD,RUBBER,W/ADHESIVE
23	7005-192	1	LAPBAR STOP, LH
24	0090-522	1	STOP, LAPBAR
25	0300-485	1	NUT,HEX 5-16-18 UNC ZN
26	2095-598	1	PANEL FRONT RH
27	0090-305	4	RETAINER PUSH TYPE .250 DIA
28	2095-613	1	CUP HOLDER
29	0090-117	4	CAPSCREW TH PH 10-24 X .75 SS
30	0090-163	6	NUT U 10-24 UNC
31	2095-712	1	PANEL, REAR RH
32	8050-222	2	WASHER,WROUGHT,1/4,STD,ZN
33	8040-366	2	NUT,HEX,NYLOCK,1/4-20 UNC,ZN
34	0090-270	8	T-NUT 6-32 UNC ZN
35	0090-305	12	RETAINER PUSH TYPE .250 DIA
36	2075-637	1	LIGHT DOME
37	2095-687	2	PLUG, HOLE- 4.0"
38	0200-317	1	PLUG,HOLE,1/4"
39	2045-829	1	PLUG FINISHING 1.00
40	2045-817	1	PLUG FINISHING .5

REF. NO.	PART NUMBER	QTY.	DESCRIPTION
41	2075-817	1	ESCHION HVAC CONTROL BLANK
42	2076-015	1	COVER ROPS FIREWALL

Item 42 is present only in machines without heat or air conditioning.



Service part for item 18
Part number 0304-471 - SPRING,GAS,ASSIST

CAB INTERIOR

RT120 Serial #: valid from - 00281

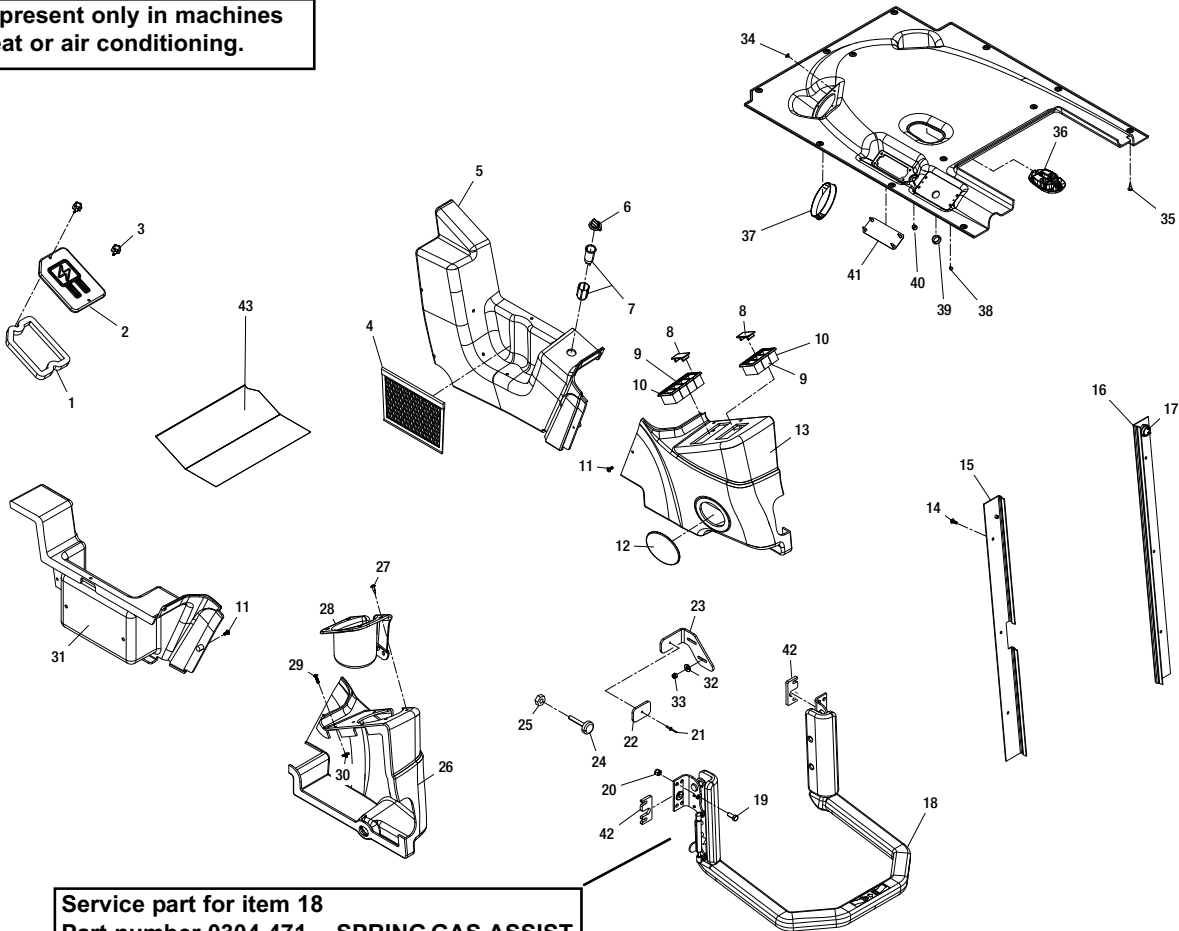
R350T Serial #: valid from - 00803

Chapter 7

REF. NO.	PART NUMBER	QTY.	DESCRIPTION
1	0090-405	1	FOAM MEMORY - 1.00 X 1.00 X 39
2	2076-288	1	COVER FUSE PANEL
3	0090-521	2	KNOB, FUSE PANEL COVER
4	2045-636	1	NET CARGO
5	2095-711	1	PANEL, REAR LH
6	0200-265	1	CAP,HOUSING,POWER SOURCE
7	0200-264	1	HOUSING,POWER SOURCE
8	0310-138	7	PLUG VHP-01 INDEX # 390-09002-001
9	0310-137	3	FRAME MID IMM-01
10	0310-136	4	FRAME END VME-01
11	0090-128	12	SCREW TH PH 10-24 x 5 SS
12	2075-222	1	PLUG HEATER VENT
13	2095-614	1	PANEL FRONT LH
14	8102-040	6	CAPSCREW,HH,1/4-20 UNCx.75,GD8 ZN
15	2095-512	1	COVER POST RH
16	2095-511	1	COVER POST LH
17	0090-268	1	BUZZER
18	0304-019	1	ASSY,LAP BAR
19	8102-405	4	CAPSCREW,HH,1/2-13 UNCx1.5,GD8
20	8040-606	4	NUT,HEX,NYLOCK,1/2-13 UNC,ZN
21	8060-648	1	RIVET,BLIND,3/16 x .575
22	0200-321	1	PAD,RUBBER,W/ADHESIVE
23	7005-192	1	LAPBAR STOP, LH
24	0090-522	1	STOP, LAPBAR
25	0300-485	1	NUT,HEX 5-16-18 UNC ZN
26	2095-598	1	PANEL FRONT RH
27	0090-305	4	RETAINER PUSH TYPE .250 DIA
28	2095-613	1	CUP HOLDER
29	0090-117	4	CAPSCREW TH PH 10-24 X .75 SS
30	0090-163	6	NUT U 10-24 UNC
31	2095-712	1	PANEL, REAR RH
32	8050-222	2	WASHER,WROUGHT,1/4,STD,ZN
33	8040-366	2	NUT,HEX,NYLOCK,1/4-20 UNC,ZN
34	0090-270	8	T-NUT 6-32 UNC ZN
35	0090-305	12	RETAINER PUSH TYPE .250 DIA
36	2075-637	1	LIGHT DOME
37	2095-687	2	PLUG, HOLE- 4.0"
38	0200-317	1	PLUG,HOLE,1/4"
39	2045-829	1	PLUG FINISHING 1.00
40	2045-817	1	PLUG FINISHING .5

REF. NO.	PART NUMBER	QTY.	DESCRIPTION
41	2075-817	1	ESCHION HVAC CONTROL BLANK
42	7071-822	2	SPACER LAPBAR
43	2076-015	1	COVER ROPS FIREWALL

Item 43 is present only in machines without heat or air conditioning.



Service part for item 18
Part number 0304-471 - SPRING,GAS,ASSIST

WIPER

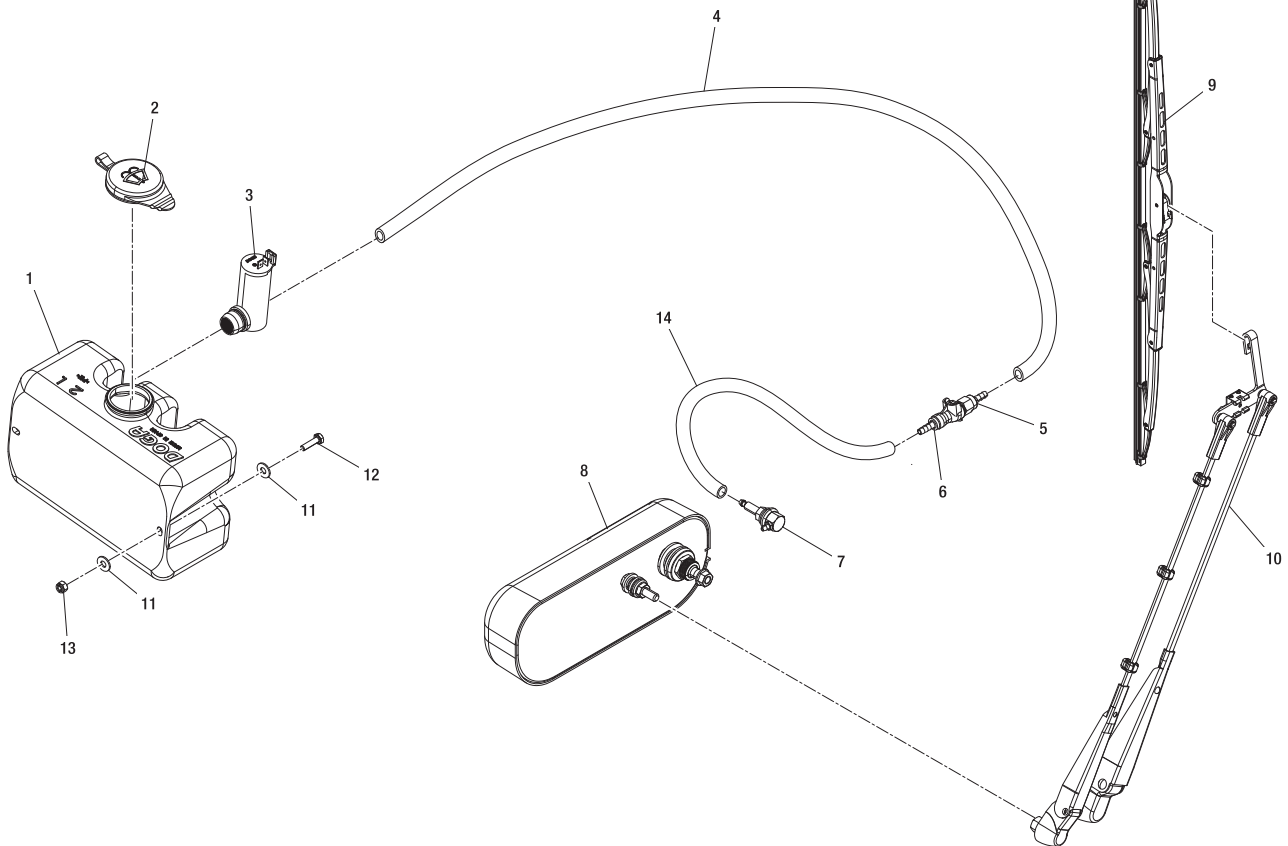
RT120 Serial #: valid from - 00200

R350T Serial #: valid from - 00300

Chapter 7

REF. NO.	PART NUMBER	QTY.	DESCRITION	REF. NO.	PART NUMBER	QTY.	DESCRITION
1	0404-271	1	BOTTLE WASHER 2.1L 1 PUMP				
2	0404-436	1	CAP, BOTTLE WASHER				
3	0403-713	1	PUMP WASHER RESERVOIR				
4	0404-541	1	HOSE, 72"				
5	0403-756	1	COUPLER MALE WASHER LINE				
6	0403-757	1	COUPLER FEMALE WASHER LINE				
7	0403-998	1	CONNECTOR 90° ELBOW METAL				
8	0404-259	1	MOTOR WIPER RH 12v w/ COVER				
9	0404-261	1	BLADE WIPER 600 mm				
10	0404-260	1	ARM WIPER PANTGRAPH 450mm				
11	8050-222	4	WASHER, WROUGHT, 1/4, STD, ZN				
12	8102-040	2	CAPSCREW, HH, 1/4-20 UNC x .75, GD8 ZN				
13	8040-366	2	NUT, HEX, NYLOCK, 1/4-20 UNC, ZN				
14	0404-542	1	HOSE, 6"				

For kit information, please see page 13-1A



Chapter 8

Forestry

8-1 Standard & Forestry Guarding

RT120 Serial # valid from - 00200 **8-1A**

R350T Serial # valid from - 00300 **8-1A**

RT120 Serial # valid from - 00261 **8-1B**

R350T Serial # valid from - 00354 **8-1B**

RT120 Serial # valid from - 00924 **8-1C**

R350T Serial # valid from - 00924 **8-1C**

RT120 Serial # valid from - 01115 **8-1D**

R350T Serial # valid from - 01115 **8-1D**

8-2 Forestry Cab Assembly

RT120 Serial # valid from - 00200 **8-2A**

R350T Serial # valid from - 00300 **8-2A**

8-3 Forestry Cab Interior

RT120 Serial # valid from - 00200 **8-3A**

R350T Serial # valid from - 00300 **8-3A**

RT120 Serial # valid from - 00812 **8-3B**

R350T Serial # valid from - 00811 **8-3B**

RT120 Serial # valid from - 00923 **8-3C**

R350T Serial # valid from - 00923 **8-3C**

8-4 Forestry Door & Windows

RT120 Serial # 00200 - 01336 **8-4A**

R350T Serial # 00300 - 01336 **8-4A**

RT120 Serial # valid from - 01337 **8-4B**

8-5 Forestry Wiper Assembly

RT120 Serial # valid from - 00200 **8-5A**

R350T Serial # valid from - 00300 **8-5A**

Parts manuals are updated on a regular basis.

Always refer to current online posted manuals to ensure you have the most up to date information prior to ordering parts.

NOTE: Ordering parts that are painted requires a specific part number format. Please refer to page II of this manual for paint code and ordering information.

GUARDING

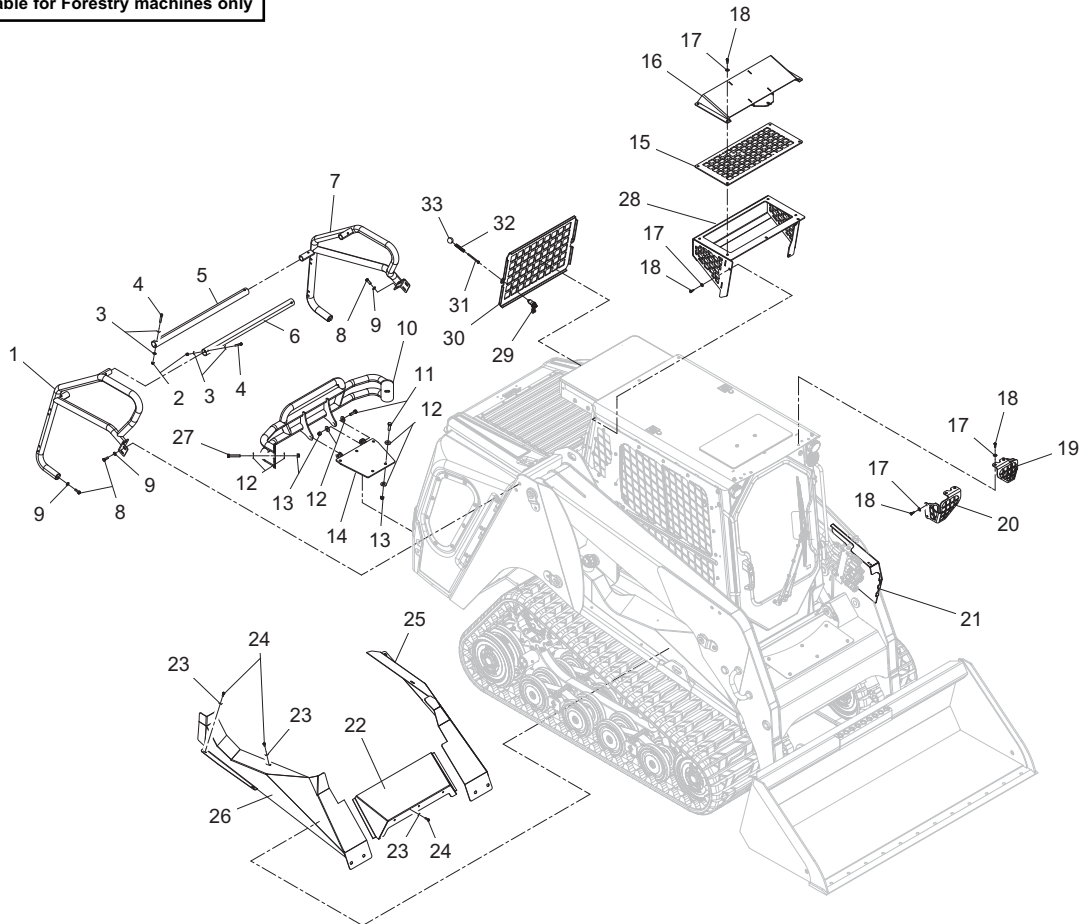
RT120 Serial #: valid from - 00200

R350T Serial #: valid from - 00300

Chapter 8

REF. NO.	PART NUMBER	QTY.	DESCRIPTION	REF. NO.	PART NUMBER	QTY.	DESCRIPTION
1	2096-713	1	HALF CAGE, RIGHT, BRUSH GUARD				
2	8040-606	4	NUT,HEX,NYLOCK,1/2-13 UNC,ZN				
3	8050-348	8	WASHER,1/2,SAE,ZN 1.06 OD x .531 ID x .090				
4	8102-413	4	CAPSCREW,HH,1/2-13 UNCx3.5,GD8,ZN				
5	2096-802	1	CROSS MEMBER, LOWER, BRUSH GUARD				
6	2096-801	1	CROSS MEMBER, UPPER, BRUSH GUARD				
7	2096-712	1	HALF CAGE, LEFT, BRUSH GUARD				
8	8102-586	10	CAPSCREW,HH,5/8-11X1.75ZN,GD8				
9	0700-287	10	WASHER,16mmX30mmX5mm				
10	2096-790	1	WLMT, BUMPER, FORESTRY				
11	8102-679	7	CAPSCREW,HH,3/4-10UNCx2.50,GD8				
12	8050-436	16	WASHER,WROUGHT,3/4,STD,ZN				
13	8040-786	9	NUT,HEX,NYLOCK,3/4-10 UNC,ZN				
14	2096-793	1	WLMT, HINGE, BUMPER, FORESTRY				
15	2095-730	1	COVER CONDENSER GUARD				
16	2095-984	1	WLMT, COVER, GUARD				
17	8050-282	17	WASHER,WROUGHT,3/8,STD,ZN				
18	8102-222	17	CAPSCREW,HH,3/8-16 UNCx1.0,GD8,ZN				
19	2096-401	1	GUARD, LIGHT, LH				
20	2096-402	1	GUARD, LIGHT, RH				
21	0403-020	1	GUARD COUPLING QUICK				
22	2075-962	1	GUARD FUEL TANK MID				
23	8050-222	9	WASHER,WROUGHT,1/4,STD,ZN				
24	8102-132	9	CAPSCREW,HH,5/16-18UNCx1.0 GD8 ,ZN				
25	2096-470	1	WLMT, GUARD TANK LH				
26	2096-468	1	WLMT, GUARD TANK RH				
27	8102-684	2	CAPSCREW,HH3/4-10 UNC 4" GD8,Z				
28	2095-725	1	WLMT CONDENSER GUARD				
29	2076-194	2	LATCH SCREEN REAR				
30	2076-496	1	SCREEN REAR				
31	8102-143	2	CAPSCREW,HH,5/16-18UNC3.5,GD8				
32	2076-195	2	SPRING REAR WINDOW LATCH				
33	2076-196	2	KNOB LATCH SPRING WINDOW				

NOTE: Items 29-33 are available for Forestry machines only



GUARDING

RT120 Serial #: 00261 - 00923

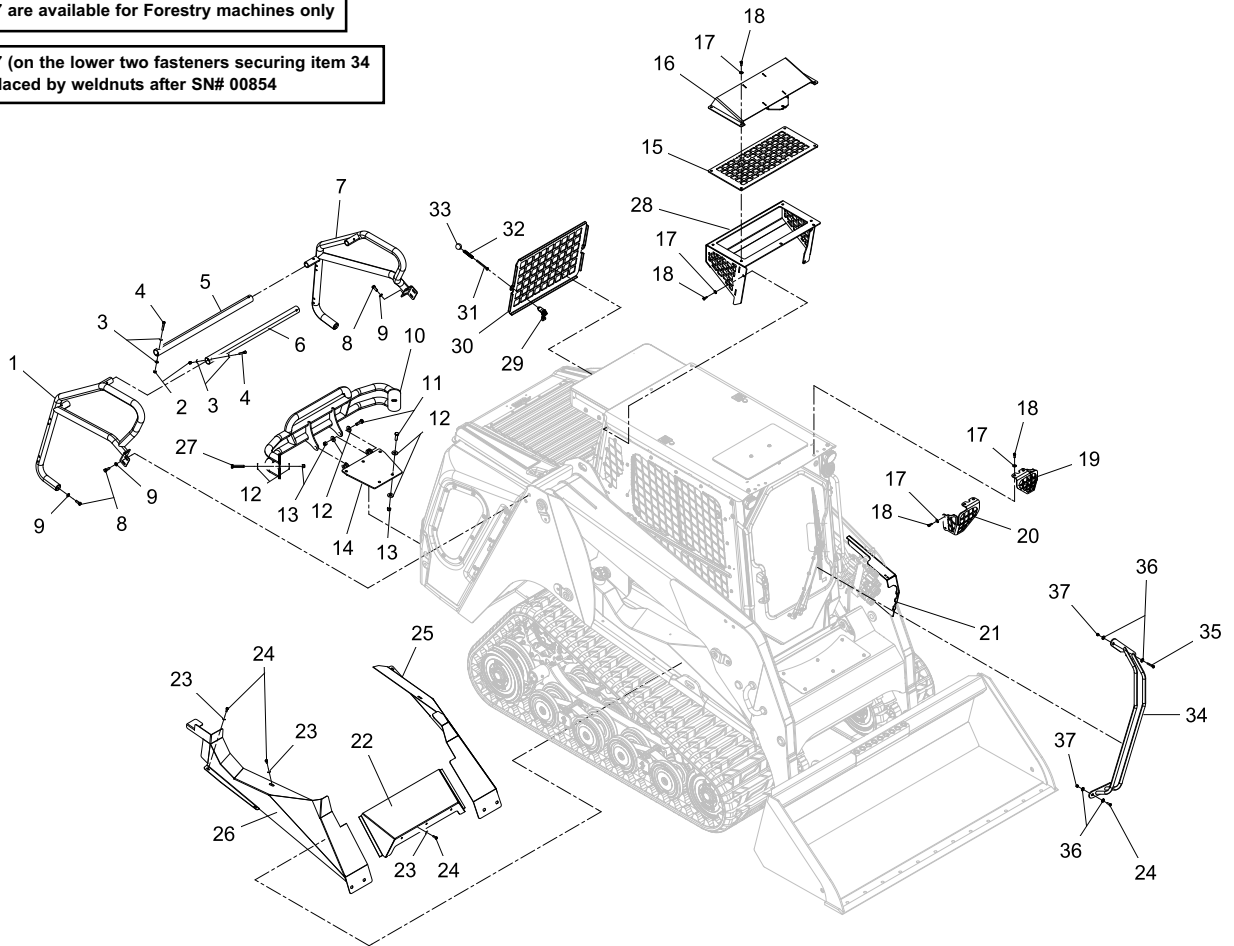
R350T Serial #: 00354 - 00923

Chapter 8

REF. NO.	PART NUMBER	QTY.	DESCRIPTION	REF. NO.	PART NUMBER	QTY.	DESCRIPTION
1	2096-713	1	HALF CAGE, RIGHT, BRUSH GUARD				
2	8040-606	4	NUT,HEX,NYLOCK,1/2-13 UNC,ZN				
3	8050-348	8	WASHER,1/2,SAE,ZN 1.06 OD x .531 ID x .090				
4	8102-413	4	CAPSCREW,HH,1/2-13 UNCx3.5,GD8,ZN				
5	2096-802	1	CROSS MEMBER, LOWER, BRUSH GUARD				
6	2096-801	1	CROSS MEMBER, UPPER, BRUSH GUARD				
7	2096-712	1	HALF CAGE, LEFT, BRUSH GUARD				
8	8102-586	10	CAPSCREW,HH,5/8-11X1.75ZN,GD8				
9	0700-287	10	WASHER,16mmX30mmX5mm				
10	2096-790	1	WLMT, BUMPER, FORESTRY				
11	8102-679	7	CAPSCREW,HH,3/4-10UNCx2.50,GD8				
12	8050-436	16	WASHER,WROUGHT,3/4,STD,ZN				
13	8040-786	9	NUT,HEX,NYLOCK,3/4-10 UNC,ZN				
14	2096-793	1	WLMT, HINGE, BUMPER, FORESTRY				
15	2095-730	1	COVER CONDENSER GUARD				
16	2095-984	1	WLMT, COVER, GUARD				
17	8050-282	17	WASHER,WROUGHT,3/8,STD,ZN				
18	8102-222	17	CAPSCREW,HH,3/8-16 UNCx1.0,GD8,ZN				
19	2096-401	1	GUARD, LIGHT, LH				
20	2096-402	1	GUARD, LIGHT, RH				
21	0403-020	1	GUARD COUPLING QUICK				
22	2075-962	1	GUARD FUEL TANK MID				
23	8050-222	9	WASHER,WROUGHT,1/4,STD,ZN				
24	8102-132	9	CAPSCREW,HH,5/16-18UNCx1.0 GD8 ,ZN				
25	2096-470	1	WLMT, GUARD TANK LH				
26	2096-468	1	WLMT, GUARD TANK RH				
27	8102-684	2	CAPSCREW,HH3/4-10 UNC 4" GD8,Z				
28	2095-725	1	WLMT CONDENSER GUARD				
29	2076-194	2	LATCH SCREEN REAR				
30	2076-496	1	SCREEN REAR				
31	8102-143	2	CAPSCREW,HH,5/16-18UNC3.5,GD8				
32	2076-195	2	SPRING REAR WINDOW LATCH				
33	2076-196	2	KNOB LATCH SPRING WINDOW				
34	2096-739	1	WLMT, WIPER GUARD				
35	8102-137	2	CAPSCREW,HH,5/16-18UNCx2.0 GD8 ZN				
36	8050-262	8	WASHER,WROUGHT,5/16,STD,ZN (SEE NOTE)				
37	8040-426	4	NUT,HEX,NYLOCK,5/16-18 UNC,ZN 9SEE NOTE)				

NOTE: Items 29-37 are available for Forestry machines only

NOTE: Items 36-37 (on the lower two fasteners securing item 34 to the door) are replaced by weldnuts after SN# 00854



GUARDING

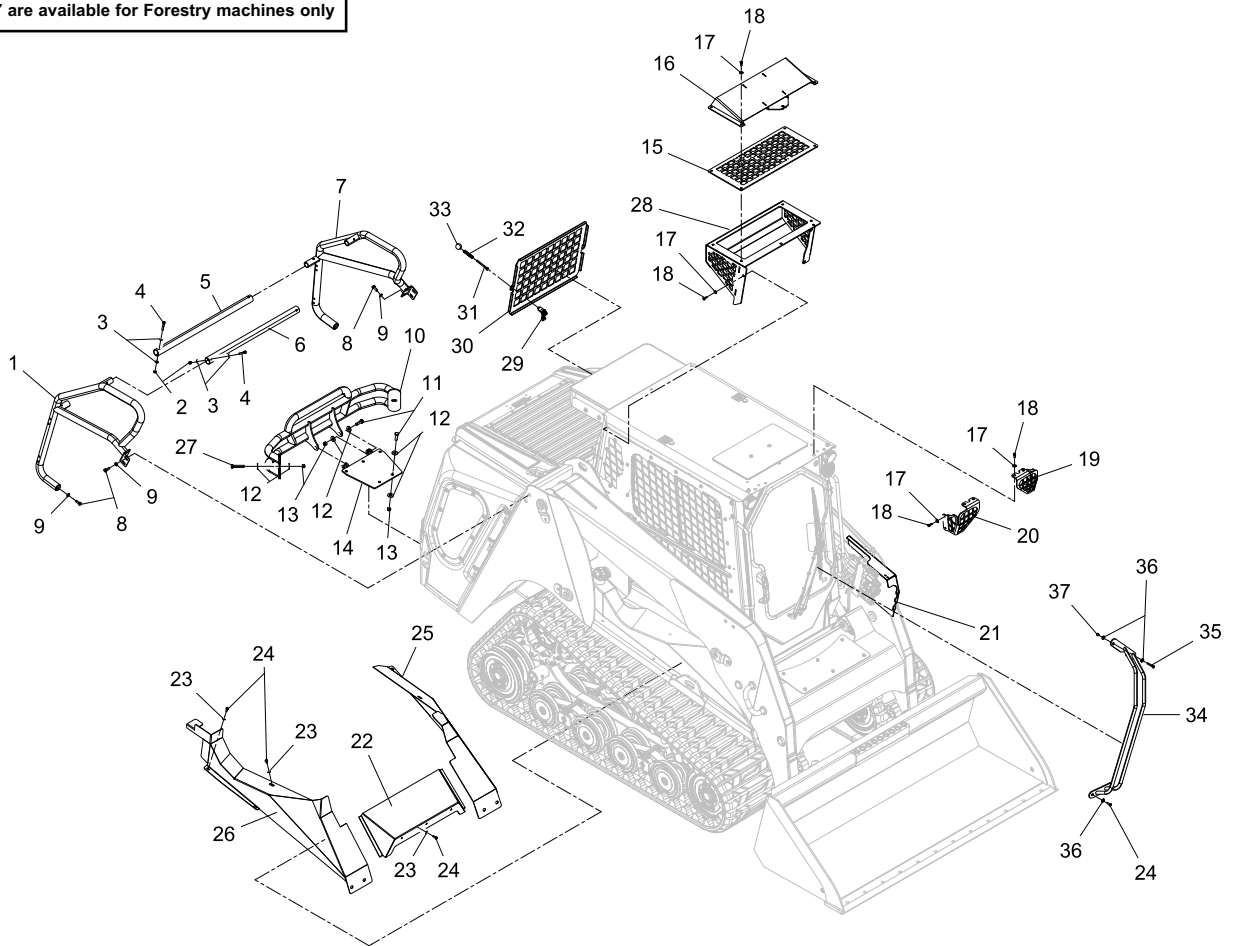
RT120 Serial #: 00924 - 01114

R350T Serial #: 00924 - 01114

Chapter 8

REF. NO.	PART NUMBER	QTY.	DESCRIPTION	REF. NO.	PART NUMBER	QTY.	DESCRIPTION
1	2096-713	1	HALF CAGE, RIGHT, BRUSH GUARD				
2	8040-606	4	NUT,HEX,NYLOCK,1/2-13 UNC,ZN				
3	8050-348	8	WASHER,1/2,SAE,ZN 1.06 OD x .531 ID x .090				
4	8102-413	4	CAPSCREW,HH,1/2-13 UNCx3.5,GD8,ZN				
5	2096-802	1	CROSS MEMBER, LOWER, BRUSH GUARD				
6	2096-801	1	CROSS MEMBER, UPPER, BRUSH GUARD				
7	2096-712	1	HALF CAGE, LEFT, BRUSH GUARD				
8	8102-586	10	CAPSCREW,HH,5/8-11X1.75ZN,GD8				
9	0700-287	10	WASHER,16mmX30mmX5mm				
10	2096-790	1	WLMT, BUMPER, FORESTRY				
11	8102-679	7	CAPSCREW,HH,3/4-10UNCx2.50,GD8				
12	8050-436	16	WASHER,WROUGHT,3/4,STD,ZN				
13	8040-786	9	NUT,HEX,NYLOCK,3/4-10 UNC,ZN				
14	2096-793	1	WLMT, HINGE, BUMPER, FORESTRY				
15	2095-730	1	COVER CONDENSER GUARD				
16	2095-984	1	WLMT, COVER, GUARD				
17	8050-282	17	WASHER,WROUGHT,3/8,STD,ZN				
18	8102-222	17	CAPSCREW,HH,3/8-16 UNCx1.0,GD8,ZN				
19	2096-401	1	GUARD, LIGHT, LH				
20	2096-402	1	GUARD, LIGHT, RH				
21	0403-020	1	GUARD COUPLING QUICK				
22	2075-962	1	GUARD FUEL TANK MID				
23	8050-222	9	WASHER,WROUGHT,1/4,STD,ZN				
24	8102-132	9	CAPSCREW,HH,5/16-18UNCx1.0 GD8 ,ZN				
25	2096-470	1	WLMT, GUARD TANK LH				
26	2096-468	1	WLMT, GUARD TANK RH				
27	8102-684	2	CAPSCREW,HH3/4-10 UNC 4" GD8,Z				
28	2095-725	1	WLMT CONDENSER GUARD				
29	2076-194	2	LATCH SCREEN REAR				
30	2076-496	1	SCREEN REAR				
31	8102-143	2	CAPSCREW,HH,5/16-18UNC3.5,GD8				
32	2076-195	2	SPRING REAR WINDOW LATCH				
33	2076-196	2	KNOB LATCH SPRING WINDOW				
34	2097-022	1	WLMT, WIPER GUARD				
35	8102-137	3	CAPSCREW,HH,5/16-18UNCx2.0 GD8 ZN				
36	8050-262	7	WASHER,WROUGHT,5/16,STD,ZN				
37	8040-426	2	NUT,HEX,NYLOCK,5/16-18 UNC,ZN				

NOTE: Items 29-37 are available for Forestry machines only



GUARDING

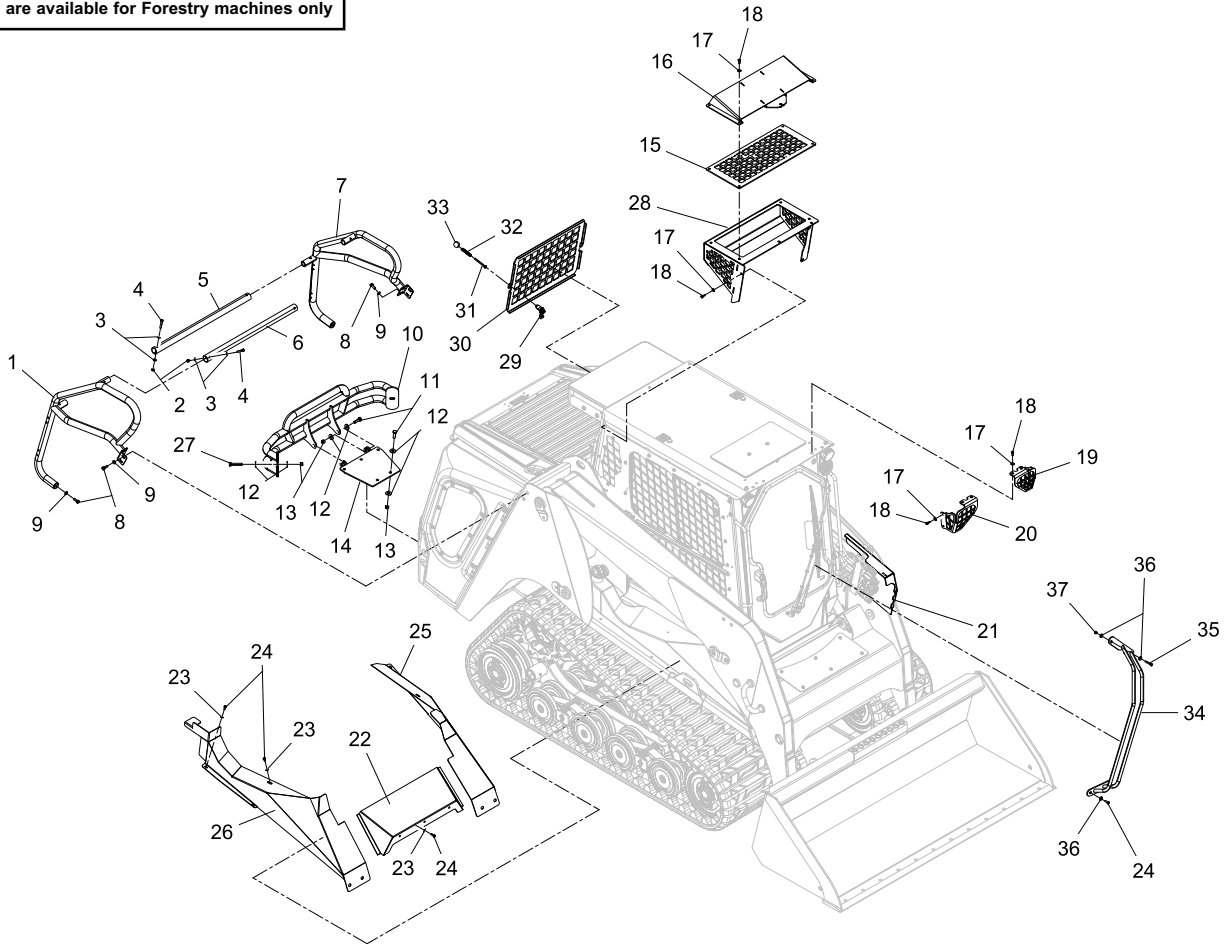
RT120 Serial #: valid from - 01115

R350T Serial #: valid from - 01115

Chapter 8

REF. NO.	PART NUMBER	QTY.	DESCRIPTION	REF. NO.	PART NUMBER	QTY.	DESCRIPTION
1	2097-044	1	BRUSH GUARD, HALF CAGE, RIGHT				
2	8040-606	4	NUT,HEX,NYLOCK,1/2-13 UNC,ZN				
3	8050-348	8	WASHER,1/2,SAE,ZN 1.06 OD x .531 ID x .090				
4	8102-413	4	CAPSCREW,HH,1/2-13 UNCx3.5,GD8,ZN				
5	2096-802	1	CROSS MEMBER, LOWER, BRUSH GUARD				
6	2096-801	1	CROSS MEMBER, UPPER, BRUSH GUARD				
7	2097-043	1	BRUSH GUARD, HALF CAGE, LEFT				
8	8102-586	10	CAPSCREW,HH,5/8-11X1.75ZN,GD8				
9	0700-287	10	WASHER,16mmX30mmX5mm				
10	2096-790	1	WLMT, BUMPER, FORESTRY				
11	8102-679	7	CAPSCREW,HH,3/4-10UNCx2.50,GD8				
12	8050-436	16	WASHER,WROUGHT,3/4,STD,ZN				
13	8040-786	9	NUT,HEX,NYLOCK,3/4-10 UNC,ZN				
14	2096-793	1	WLMT, HINGE, BUMPER, FORESTRY				
15	2095-730	1	COVER CONDENSER GUARD				
16	2095-984	1	WLMT, COVER, GUARD				
17	8050-282	17	WASHER,WROUGHT,3/8,STD,ZN				
18	8102-222	17	CAPSCREW,HH,3/8-16 UNCx1.0,GD8,ZN				
19	2096-401	1	GUARD, LIGHT, LH				
20	2096-402	1	GUARD, LIGHT, RH				
21	0403-020	1	GUARD COUPLING QUICK				
22	2075-962	1	GUARD FUEL TANK MID				
23	8050-222	9	WASHER,WROUGHT,1/4,STD,ZN				
24	8102-132	9	CAPSCREW,HH,5/16-18UNCx1.0 GD8 ,ZN				
25	2096-470	1	WLMT, GUARD TANK LH				
26	2096-468	1	WLMT, GUARD TANK RH				
27	8102-684	2	CAPSCREW,HH3/4-10 UNC 4" GD8,Z				
28	2095-725	1	WLMT CONDENSER GUARD				
29	2076-194	2	LATCH SCREEN REAR				
30	2076-496	1	SCREEN REAR				
31	8102-143	2	CAPSCREW,HH,5/16-18UNC3.5,GD8				
32	2076-195	2	SPRING REAR WINDOW LATCH				
33	2076-196	2	KNOB LATCH SPRING WINDOW				
34	2097-022	1	WLMT, WIPER GUARD				
35	8102-137	3	CAPSCREW,HH,5/16-18UNCx2.0 GD8 ZN				
36	8050-262	7	WASHER,WROUGHT,5/16,STD,ZN				
37	8040-426	2	NUT,HEX,NYLOCK,5/16-18 UNC,ZN				

NOTE: Items 29-37 are available for Forestry machines only



FORESTRY CAB ASSEMBLY

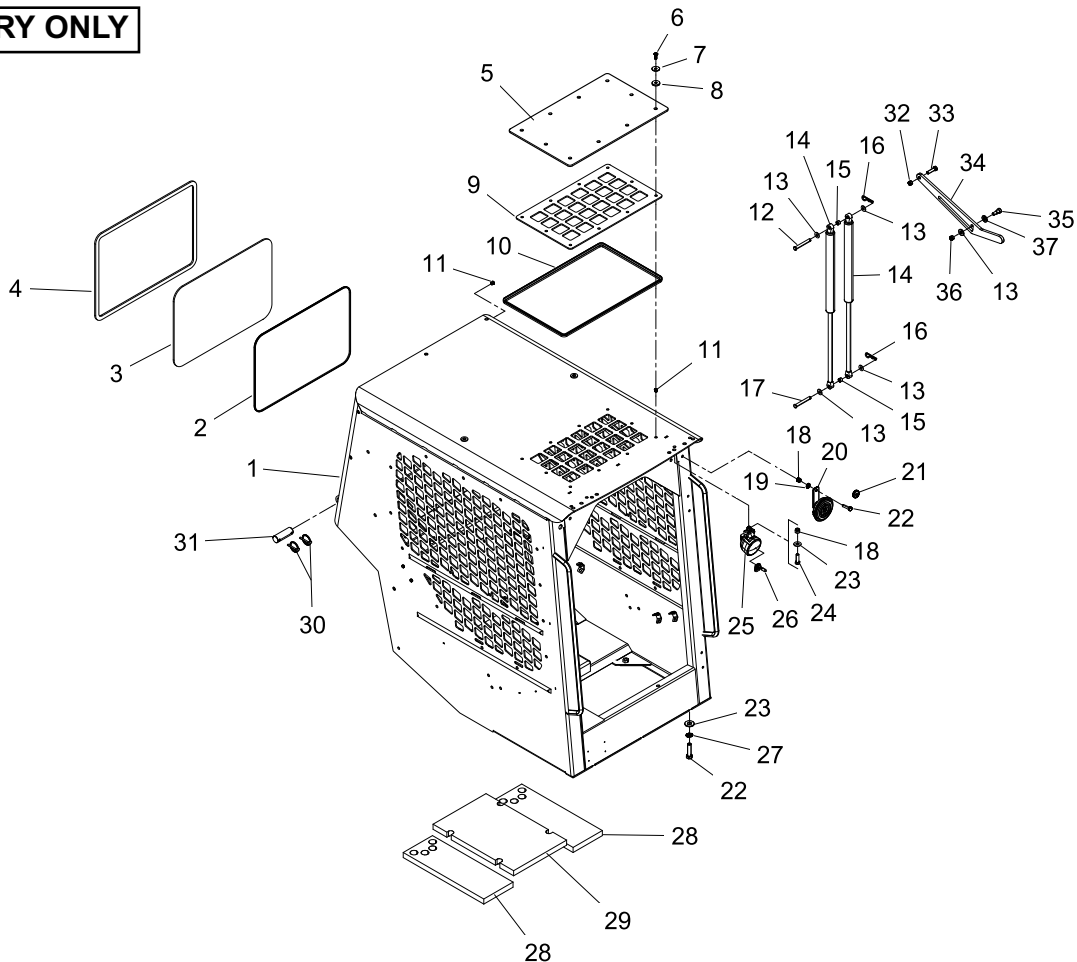
RT120 Serial #: valid from - 00200

R350T Serial #: valid from - 00300

Chapter 8

REF. NO.	PART NUMBER	QTY.	DESCRIPTION	REF. NO.	PART NUMBER	QTY.	DESCRIPTION
1	2075-940	1	ROPS				
2	2076-198	1	SEAL WINDOW REAR INNER				
3	2076-197	1	WINDOW REAR FORESTRY				
4	2076-199	1	SEAL WINDOW REAR OUTER				
5	2076-192	1	PANEL ROOF FORESTRY				
6	0090-109	10	SCREW TH PH 1/4-20 x 1 ZN				
7	0301-033	10	WASHER,FENDER,1/4 x 1 1/4,STL,				
8	2045-522	10	WASHER				
9	2076-009	1	SCREEN, PLATE, SKYLIGHT				
10	2076-248	1	PANEL ROOF SEAL FORESTRY				
11	0090-300	12	INSERT THREADED FLHD 1/4-20				
12	0090-650	1	CLEVIS PIN 5/16 X 2.25"				
13	8050-222	5	WASHER,WROUGHT,1/4,STD,ZN				
14	2095-739	2	SPRING GAS 619MM 2300N				
15	2076-147	2	SPACER				
16	0090-603	2	HAIRPIN COTTER PIN 1/8 X1.92"				
17	0090-602	1	CLEVIS PIN 5/16 X 2.5"				
18	8040-486	3	NUT,HEX,NYLOCK,3/8-16 UNC,ZN				
19	8050-277	1	WASHER,WROUGHT,3/8,SAE,ZN				
20	0304-478	1	HORN - 164-9425				
21	2075-638	2	GROMMET WEB				
22	8102-225	3	CAPSCREW,HH,3/8-16 UNCx1.5,GD8,ZN				
23	8050-282	4	WASHER,WROUGHT,3/8,STD,ZN				
24	8102-224	2	CAPSCREW,HH,3/8-16UNCx1.25,GD8,ZN				
25	4046-060	2	LIGHT WORK				
26	4046-131	2	BULB HELLA				
27	8051-272	2	WASHER,SPRING LOCK,3/8,ZN				
28	2045-701	2	FOAM SOUND				
29	2045-700	1	FOAM SOUND				
30	0090-065	4	PIN LYNCH 3/16 DIA x 1 9/16				
31	0090-430	2	PIN ROPS				
32	8040-426	1	NUT,HEX,NYLOCK,5/16-18 UNC,ZN				
33	8102-134	1	CAPSCREW,HH,5/16-18UNCx1.25GD8 ZN				
34	2075-744	1	ROD PROP SLOTTED				
35	0090-137	1	BOLT 3/8 SHLDR x1/2 x5/16 -18				
36	8041-457	1	NUT,NYLOCK,5/16 - 18,THIN				
37	0090-104	1	WASHER .402 x .728 x .098 HARD				

FORESTRY ONLY



FORESTRY CAB INTERIOR

RT120 Serial #: valid from - 00200

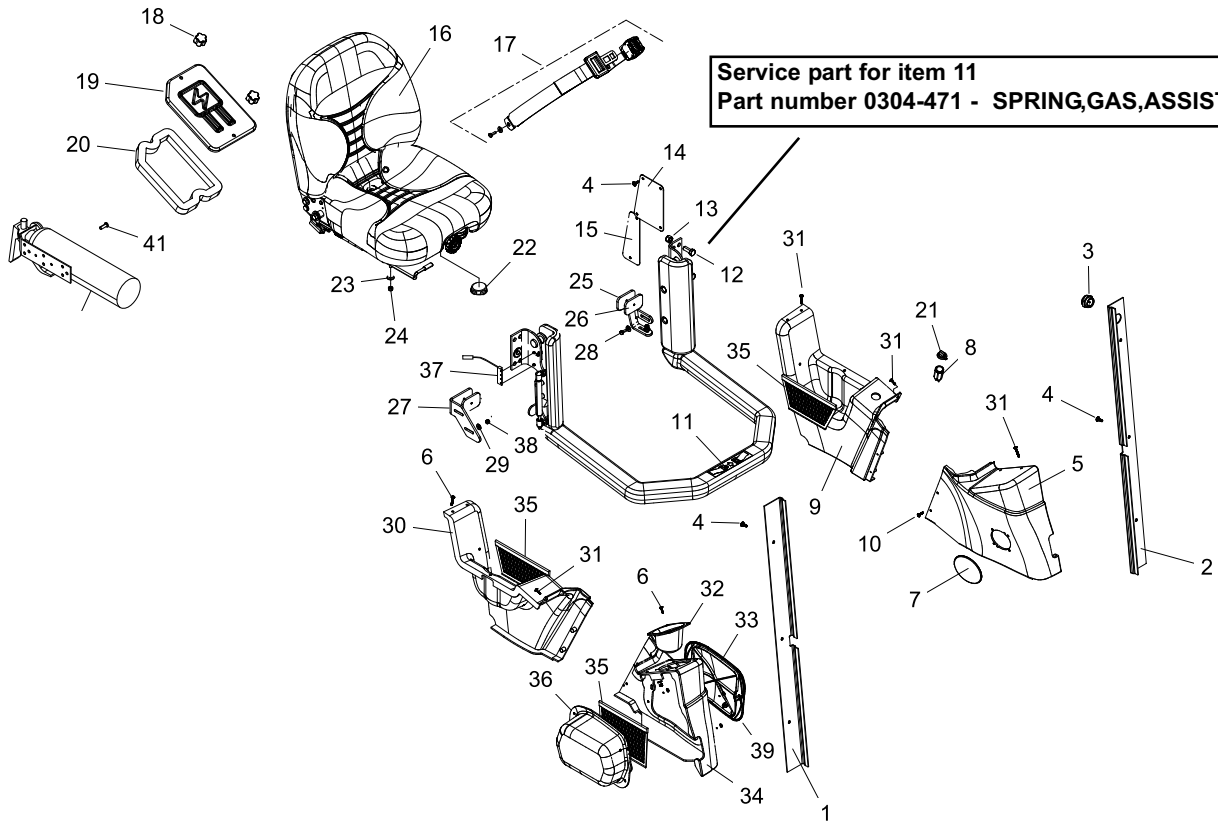
R350T Serial #: valid from - 00300

Chapter 8

REF. NO.	PART NUMBER	QTY.	DESCRIPTION
1	2095-512	1	COVER POST RH
2	2095-511	1	COVER POST LH
3	0090-268	1	BUZZER
4	8102-040	12	CAPSCREW,HH,1/4-20 UNCx.75,GD8 ZN
5	2075-486	1	PANEL FRONT LH E/H CONTROLS
6	0090-305	6	RETAINER PUSH TYPE .250 DIA
7	2075-222	1	PLUG HEATER VENT
8	0200-264	1	OUTLET POWER
9	2075-484	1	PANEL REAR LH E/H CONTROLS
10	0090-128	4	SCREW TH PH 10-24 x 5 SS
11	0304-019	1	ASSY,LAP BAR
12	8102-404	4	CAPSCREW,HH 1/2-13UNCx1.25 GD8 ZN
13	8040-606	4	NUT,HEX,NYLOCK,1/2-13 UNC,ZN
14	2075-818	1	COVER FRESH AIR
15	2075-819	1	COVER RECIRC AIR
16	3000-043	1	SEAT SUSPENSION MECHANICAL
17	2076-409	1	BELT SEAT 2" ADJUSTABLE
18	0090-239	2	KNOB 1/5-4-20 UNC 2B
19	2076-288	1	COVER FUSE PANEL
20	0090-405	2	FOAM MEMORY - 1.00 X 1.00 X 39
21	0200-265	1	CAP,HOUSING,POWER SOURCE
22	0404-393	2	SWITCH SEAT
23	8050-262	4	WASHER,WROUGHT,5/16,STD,ZN
24	8040-426	4	NUT,HEX,NYLOCK,5/16-18 UNC,ZN
25	2075-938	1	STOP LAPBAR LH
26	0200-320	2	WLMT,STOP LAP BAR
27	2075-939	1	STOP LAPBAR RH
28	8102-040	1	CAPSCREW,HH,1/4-20 UNCx.75,GD8 ZN
29	8050-222	4	WASHER,WROUGHT,1/4,STD,ZN
30	2075-485	1	PANEL REAR RH E/H CONTROLS
31	0090-117	14	CAPSCREW TH PH 10-24 X .75 SS
32	2076-054	1	CUPHOLDER
33	2075-102	1	COVER PANEL STORAGE
34	2075-487	1	PANEL FRONT RH E/H CONTROLS
35	2045-636	3	NET CARGO
36	2075-832	1	BIN STORAGE
37	0304-473	1	SENSOR,SWITCH,LAPBAR
38	8040-366	3	NUT,HEX,NYLOCK,1/4-20 UNC,ZN
39	0090-084	2	CLIP RETAINING
40	0403-577	1	FIRE EXTINGUISHER

REF. NO.	PART NUMBER	QTY.	DESCRIPTION
41	0090-700	4	CAPSCREW STEEL BUTTON 1/4"-20 x 3/4" ASTM F835

FORESTRY ONLY



FORESTRY CAB INTERIOR

RT120 Serial #: valid from - 00812

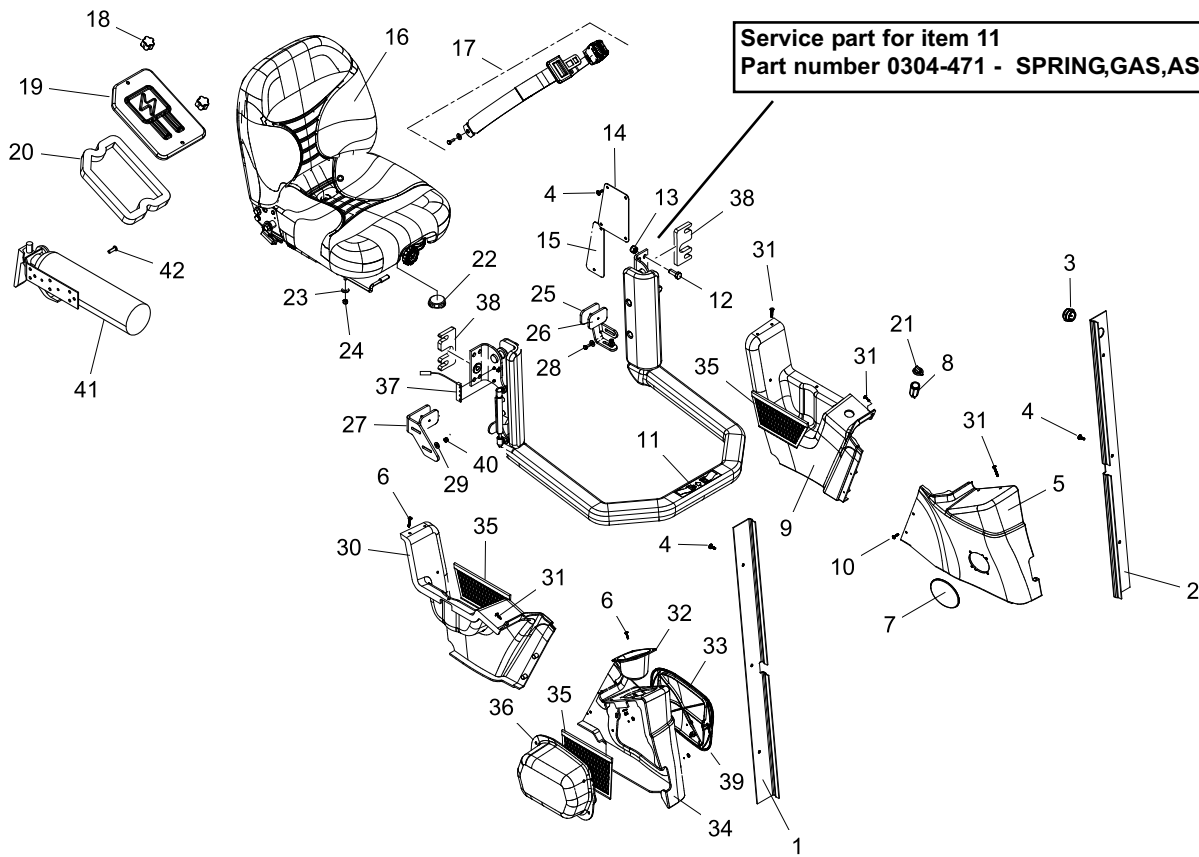
R350T Serial #: valid from - 00811

Chapter 8

REF. NO.	PART NUMBER	QTY.	DESCRIPTION
1	2095-512	1	COVER POST RH
2	2095-511	1	COVER POST LH
3	0090-268	1	BUZZER
4	8102-040	12	CAPSCREW,HH,1/4-20 UNCx.75,GD8 ZN
5	2075-486	1	PANEL FRONT LH E/H CONTROLS
6	0090-305	6	RETAINER PUSH TYPE .250 DIA
7	2075-222	1	PLUG HEATER VENT
8	0200-264	1	OUTLET POWER
9	2075-484	1	PANEL REAR LH E/H CONTROLS
10	0090-128	4	SCREW TH PH 10-24 x 5 SS
11	0304-019	1	ASSY,LAP BAR
12	8102-405	4	CAPSCREW,HH,1/2-13 UNCx1.5,GD8
13	8040-606	4	NUT,HEX,NYLOCK,1/2-13 UNC,ZN
14	2075-818	1	COVER FRESH AIR
15	2075-819	1	COVER RECIRC AIR
16	3000-043	1	SEAT SUSPENSION MECHANICAL
17	2076-409	1	BELT SEAT 2" ADJUSTABLE
18	0090-239	2	KNOB 1/5-4-20 UNC 2B
19	2076-288	1	COVER FUSE PANEL
20	0090-405	2	FOAM MEMORY - 1.00 X 1.00 X 39
21	0200-265	1	CAP,HOUSING,POWER SOURCE
22	0404-393	2	SWITCH SEAT
23	8050-262	4	WASHER,WROUGHT,5/16,STD,ZN
24	8040-426	4	NUT,HEX,NYLOCK,5/16-18 UNC,ZN
25	2075-938	1	STOP LAPBAR LH
26	0200-320	2	WLMT,STOP LAP BAR
27	2075-939	1	STOP LAPBAR RH
28	8102-040	1	CAPSCREW,HH,1/4-20 UNCx.75,GD8 ZN
29	8050-222	4	WASHER,WROUGHT,1/4,STD,ZN
30	2075-485	1	PANEL REAR RH E/H CONTROLS
31	0090-117	14	CAPSCREW TH PH 10-24 X .75 SS
32	2076-054	1	CUPHOLDER
33	2075-102	1	COVER PANEL STORAGE
34	2075-487	1	PANEL FRONT RH E/H CONTROLS
35	2045-636	3	NET CARGO
36	2075-832	1	BIN STORAGE
37	0304-473	1	SENSOR,SWITCH,LAPBAR
38	7071-822	2	SPACER LAPBAR
39	0090-084	2	CLIP RETAINING
40	8040-366	3	NUT,HEX,NYLOCK,1/4-20 UNC,ZN

REF. NO.	PART NUMBER	QTY.	DESCRIPTION
41	0403-577	1	FIRE EXTINGUISHER
42	0090-700	4	CAPSCREW STEEL BUTTON 1/4"-20 x 3/4" ASTM F835

FORESTRY ONLY



FORESTRY CAB INTERIOR

RT120 Serial #: valid from - 00923

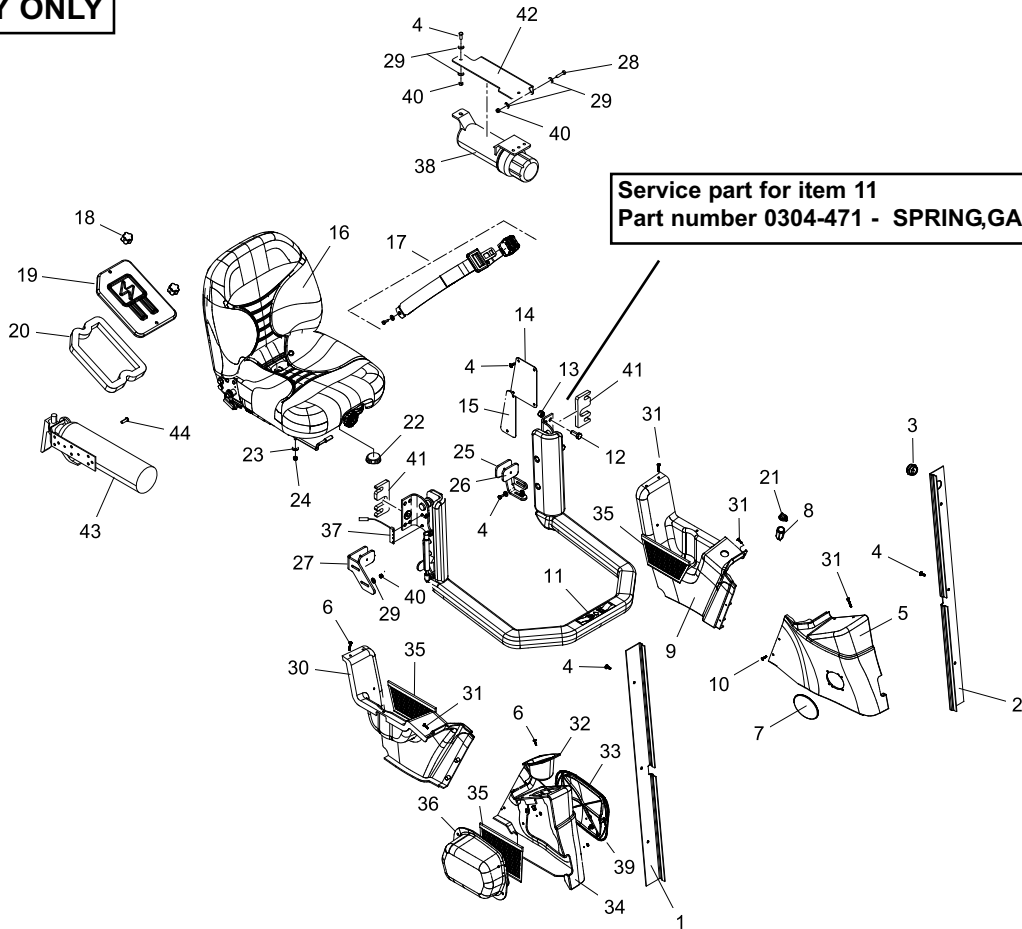
R350T Serial #: valid from - 00923

Chapter 8

REF. NO.	PART NUMBER	QTY.	DESCRIPTION
1	2095-512	1	COVER POST RH
2	2095-511	1	COVER POST LH
3	0090-268	1	BUZZER
4	8102-040	14	CAPSCREW,HH,1/4-20 UNCx.75,GD8 ZN
5	2075-486	1	PANEL FRONT LH E/H CONTROLS
6	0090-305	6	RETAINER PUSH TYPE .250 DIA
7	2075-222	1	PLUG HEATER VENT
8	0200-264	1	OUTLET POWER
9	2075-484	1	PANEL REAR LH E/H CONTROLS
10	0090-128	4	SCREW TH PH 10-24 x 5 SS
11	0304-019	1	ASSY,LAP BAR
12	8102-405	4	CAPSCREW,HH,1/2-13 UNCx1.5,GD8
13	8040-606	4	NUT,HEX,NYLOCK,1/2-13 UNC,ZN
14	2075-818	1	COVER FRESH AIR
15	2075-819	1	COVER RECIRC AIR
16	3000-043	1	SEAT SUSPENSION MECHANICAL
17	2076-409	1	BELT SEAT 2" ADJUSTABLE
18	0090-239	2	KNOB 1/5-4-20 UNC 2B
19	2076-288	1	COVER FUSE PANEL
20	0090-405	2	FOAM MEMORY - 1.00 X 1.00 X 39
21	0200-265	1	CAP,HOUSING,POWER SOURCE
22	0404-393	2	SWITCH SEAT
23	8050-262	4	WASHER,WROUGHT,5/16,STD,ZN
24	8040-426	4	NUT,HEX,NYLOCK,5/16-18 UNC,ZN
25	2075-938	1	STOP LAPBAR LH
26	0200-320	2	WLMT,STOP LAP BAR
27	2075-939	1	STOP LAPBAR RH
28	8102-044	1	CAPSCREW,HH,1/4-20UNCx1.25,GD8,ZN
29	8050-222	10	WASHER,WROUGHT,1/4,STD,ZN
30	2075-485	1	PANEL REAR RH E/H CONTROLS
31	0090-117	14	CAPSCREW TH PH 10-24 X .75 SS
32	2076-054	1	CUPHOLDER
33	2075-102	1	COVER PANEL STORAGE
34	2075-487	1	PANEL FRONT RH E/H CONTROLS
35	2045-636	3	NET CARGO
36	2075-832	1	BIN STORAGE
37	0304-473	1	SENSOR,SWITCH,LAPBAR
38	2097-027	1	MANUAL HOLDER
39	0090-084	2	CLIP RETAINING
40	8040-366	7	NUT,HEX,NYLOCK,1/4-20 UNC,ZN

REF. NO.	PART NUMBER	QTY.	DESCRIPTION
41	7071-822	2	SPACER LAPBAR
42	2097-026	1	MOUNT, MANUAL HOLDER
43	0403-577	1	FIRE EXTINGUISHER
44	0090-700	4	CAPSCREW STEEL BUTTON 1/4"-20 x 3/4" ASTM F835

FORESTRY ONLY



Service part for item 11
Part number 0304-471 - SPRING,GAS,ASSIST

FORESTRY DOOR & WINDOWS

RT120 Serial #: 00200 - 01336

R350T Serial #: 00300 - 01336

Chapter 8

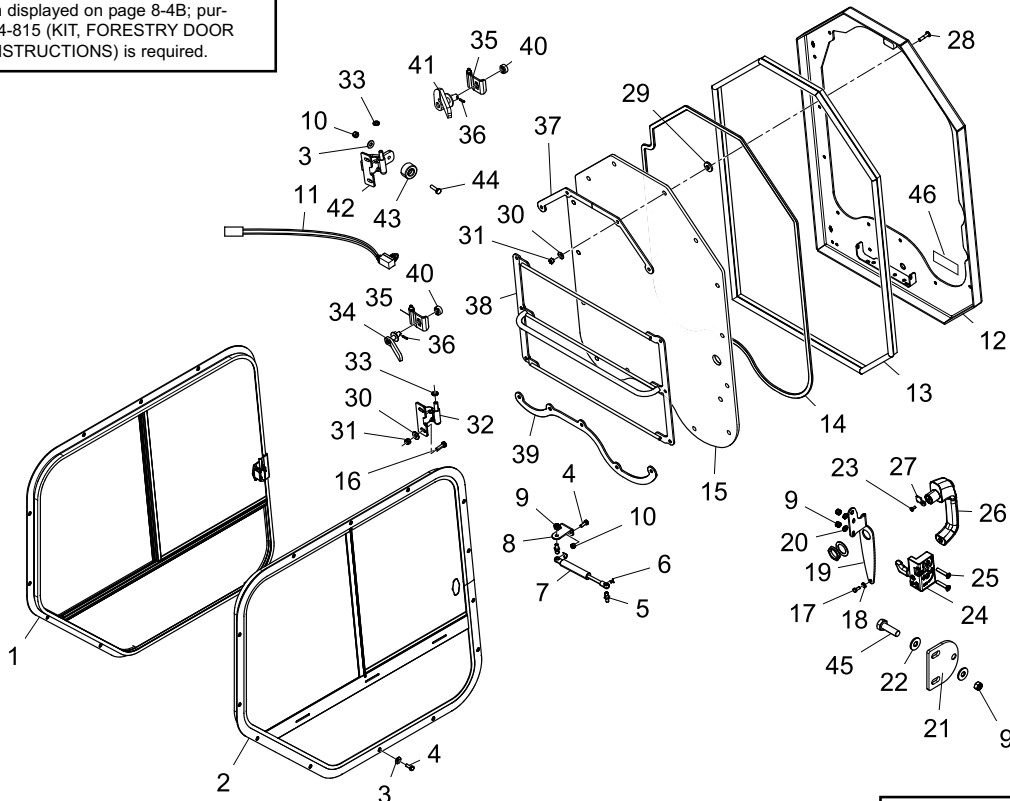
REF. NO.	PART NUMBER	QTY.	DESCRIPTION
1	0404-344	1	WINDOW SIDE LH
2	0404-345	1	WINDOW SIDE RH
3	8050-222	27	WASHER,WROUGHT,1/4,STD,ZN
4	8102-040	28	CAPSCREW,HH,1/4-20 UNCx.75,GD8 ZN
5	0304-495	2	STUD,BALL,10MM STUD
6	0200-545	2	CLIP,SAFETY,GAS SPRING
7	2076-261	1	SPRING DAMPENED DOOR
8	0403-801	8	MOUNT DOOR SPRING
9	8040-426	7	NUT,HEX,NYLOCK,5/16-18 UNC,ZN
10	8040-366	3	NUT,HEX,NYLOCK,1/4-20 UNC,ZN
11	0403-896	1	SWITCH DOOR PUSH BUTTON
12	2076-265	1	WELDMENT DOOR FORESTRY
13	2076-266	1	SEAL DOOR FORESTRY
14	2076-252	1	SEAL POLY DOOR FORESTRY
15	2095-724	1	DOOR FORESTRY POLY 1/2"
16	0090-342	4	SCREW MACH HSBH 3/8-16 x 1-3/4 BLK
17	0304-486	1	CAPSCREW,HH,M6-1.0x14
18	8050-240	1	WASHER,STAINLESS,1/4"
19	2076-253	1	HANDLE INTERIOR DOOR FORESTRY
20	8051-242	2	WASHER,SPRING LOCK,5/16,ZN
21	7005-800	1	WLMT CATCH PLATE
22	8050-262	4	WASHER,WROUGHT,5/16,STD,ZN
23	0090-622	1	MACH, PH PAN HD, M6-1.0 X 10MM CLR ZNC
24	2075-407	1	HANDLE INSIDE
25	0090-257	2	SCREW FH PH 5/16 x 1.75 ZN
26	2075-406	1	HANDLE PUSH BUTTON
27	0403-869	1	CATCH DOOR LATCH
28	0090-341	15	SCREW MACH HSBH 3/8-16 x 1-1/2 BLK
29	2045-522	15	WASHER MOUNTING
30	0090-340	19	WASHER, FLAT 5/16 DIA BLK
31	0090-339	19	NUT HEX-SL 3/8-16 BLK
32	2076-258	2	WELDMENT HINGE LOWER DOOR FORESTRY
33	2076-259	2	WASHER HINGE DOOR FORESTRY
34	2076-264	1	CLAMP HANDLE DOOR FORESTRY
35	2076-257	2	WELDMENT HINGE UPPER DOOR FORESTRY
36	0090-345	2	PIN ROLL 3/16 X 3/4
37	2076-256	1	RETAINER POLY UPPER DOOR FORESTRY
38	2076-254	1	RETAINER POLY W/ HANDLE DOOR FORESTRY
39	2076-255	1	RETAINER POLY BOTTOM DOOR FORESTRY
40	0090-642	2	LOCK CAM LOWER DOOR FORESTRY

REF. NO.	PART NUMBER	QTY.	DESCRIPTION
41	2076-406	1	CLAMP HANDLE OFFSET FORESTRY DOOR
42	2076-412	1	WLMT HINGE DOOR CAST W/STOP
43	0090-049	1	BUMPER RUBBER
44	8102-042	1	CAPSCREW, HH 1/4-20UNC 1" GD8
45	8102-132	2	CAPSCREW,HH,5/16-18UNCx1.0 GD8_ZN
46	2030-635	2	DECAL NOTICE WIPER DRY CONDITIONS

FORESTRY ONLY

For kit information, please see page 13-1A

NOTE: To upgrade this door configuration to the door configuration displayed on page 8-4B; purchase of P/N 0404-815 (KIT, FORESTRY DOOR UPGRADE, W/ INSTRUCTIONS) is required.



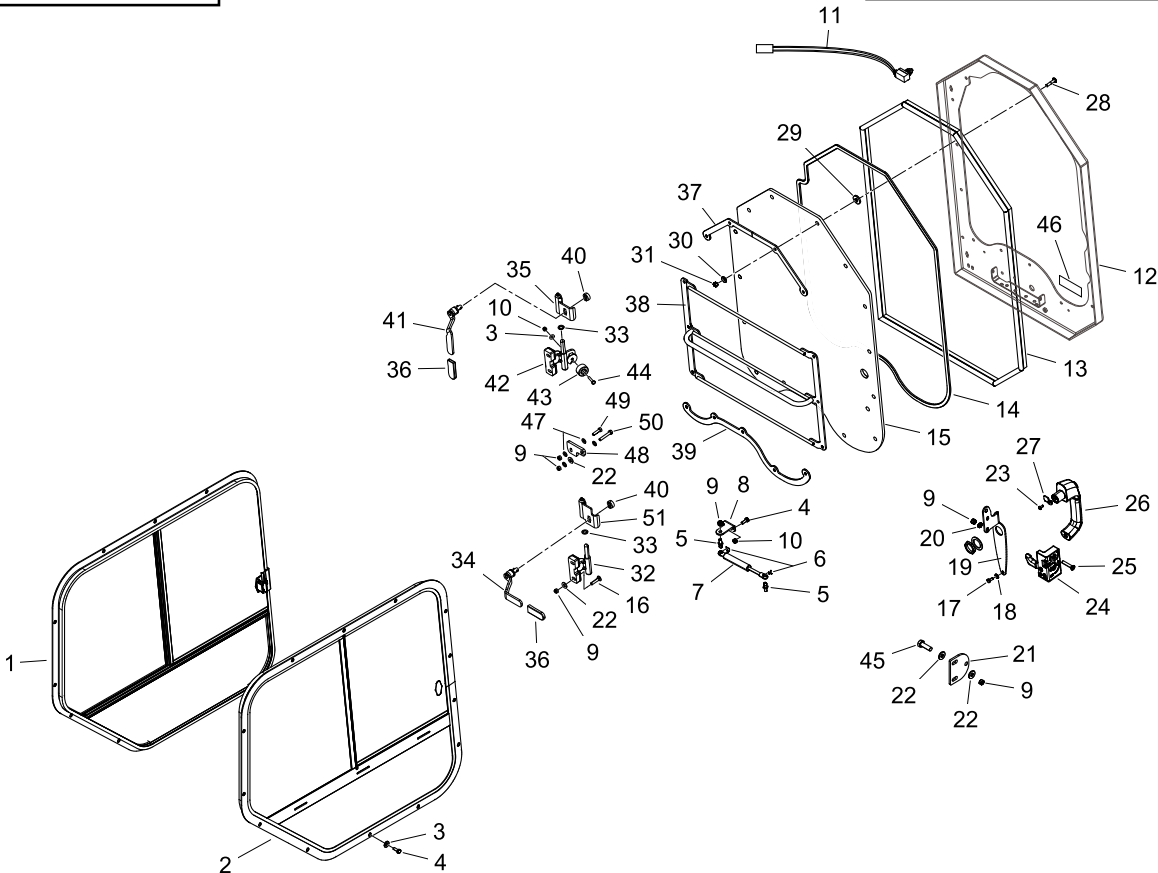
Service Parts		
PART	QTY	DESCRIPTION
2076-487	2	Vinyl cover for items 34 & 41

REF. NO.	PART NUMBER	QTY.	DESCRIPTION
1	0404-344	1	WINDOW SIDE LH
2	0404-345	1	WINDOW SIDE RH
3	8050-222	27	WASHER,WROUGHT,1/4,STD,ZN
4	8102-040	28	CAPSCREW,HH,1/4-20 UNCx.75,GD8 ZN
5	0304-495	2	STUD,BALL,10MM STUD
6	0200-545	2	CLIP,SAFETY,GAS SPRING
7	2076-261	1	SPRING DAMPENED DOOR
8	0403-801	8	MOUNT DOOR SPRING
9	8040-426	11	NUT,HEX,NYLOCK,5/16-18 UNC,ZN
10	8040-366	3	NUT,HEX,NYLOCK,1/4-20 UNC,ZN
11	0403-896	1	SWITCH DOOR PUSH BUTTON
12	2097-216	1	WLMT, DOOR, FORESTRY
13	2076-266	1	SEAL DOOR FORESTRY
14	2076-252	1	SEAL POLY DOOR FORESTRY
15	2095-724	1	DOOR FORESTRY POLY 1/2"
16	8011-135	4	BOLT,CARRIAGE,5/16-18 UNCx1.50, ZN
17	0304-486	1	CAPSCREW,HH,M6-1.0x14
18	8050-240	1	WASHER,STAINLESS,1/4"
19	2076-253	1	HANDLE INTERIOR DOOR FORESTRY
20	8051-242	2	WASHER,SPRING LOCK,5/16,ZN
21	7005-800	1	WLMT CATCH PLATE
22	8050-262	8	WASHER,WROUGHT,5/16,STD,ZN
23	0090-622	1	MACH, PH PAN HD, M6-1.0 X 10MM CLR ZNC
24	2075-407	1	HANDLE INSIDE
25	0090-257	2	SCREW FH PH 5/16 x 1.75 ZN
26	2075-406	1	HANDLE PUSH BUTTON
27	0403-869	1	CATCH DOOR LATCH
28	0090-341	15	SCREW MACH HSBH 3/8-16 x 1-1/2 BLK
29	2045-522	15	WASHER MOUNTING
30	0090-340	15	WASHER, FLAT 5/16 DIA BLK
31	0090-339	15	NUT HEX-SL 3/8-16 BLK
32	2097-144	1	WELDMNT, HINGE, LOWER
33	2097-185	2	BUSHING, HINGE 13MM
34	2097-219	1	ASSY, RELEASE HANDLE, OFFSET
35	2097-201	1	WLMT, HINGE, DOOR, FORESTRY, UPPER
36	2076-487	2	COVER EXIT HANDLE RED
37	2076-256	1	RETAINER POLY UPPER DOOR FORESTRY
38	2076-254	1	RETAINER POLY W/ HANDLE DOOR FORESTRY
39	2076-255	1	RETAINER POLY BOTTOM DOOR FORESTRY
40	0090-734	2	CAM, DOOR LOCK

REF. NO.	PART NUMBER	QTY.	DESCRIPTION
41	2097-218	1	ASSY, RELEASE HANDLE, 45 DEGREE
42	2097-145	1	HINGE W/STOP, FORESTRY DOOR
43	0090-049	1	BUMPER RUBBER
44	8102-044	1	CAPSCREW,HH,1/4-20UNCx1.25,GD8,ZN
45	8102-132	2	CAPSCREW,HH,5/16-18UNCx1.0 GD8_ZN
46	2030-635	2	DECAL NOTICE WIPER DRY CONDITIONS
47	8050-247	4	WASHER, WROUGHT, 5/16, SAE, ZN, THRU-HARDENED
48	2097-221	1	PLATE, STOP, LOWER, FORESTRY DOOR
49	8102-134	1	CAPSCREW,HH,5/16-18UNCx1.25GD8 ZN
50	8102-137	1	CAPSCREW,HH,5/16-18UNCx2.0 GD8 ZN
51	2097-202	1	WLMT, HINGE, DOOR, FORESTRY, LOWER

FORESTRY ONLY

For kit information, please see page 13-1A



FORESTRY CAB WIPER ASSEMBLY

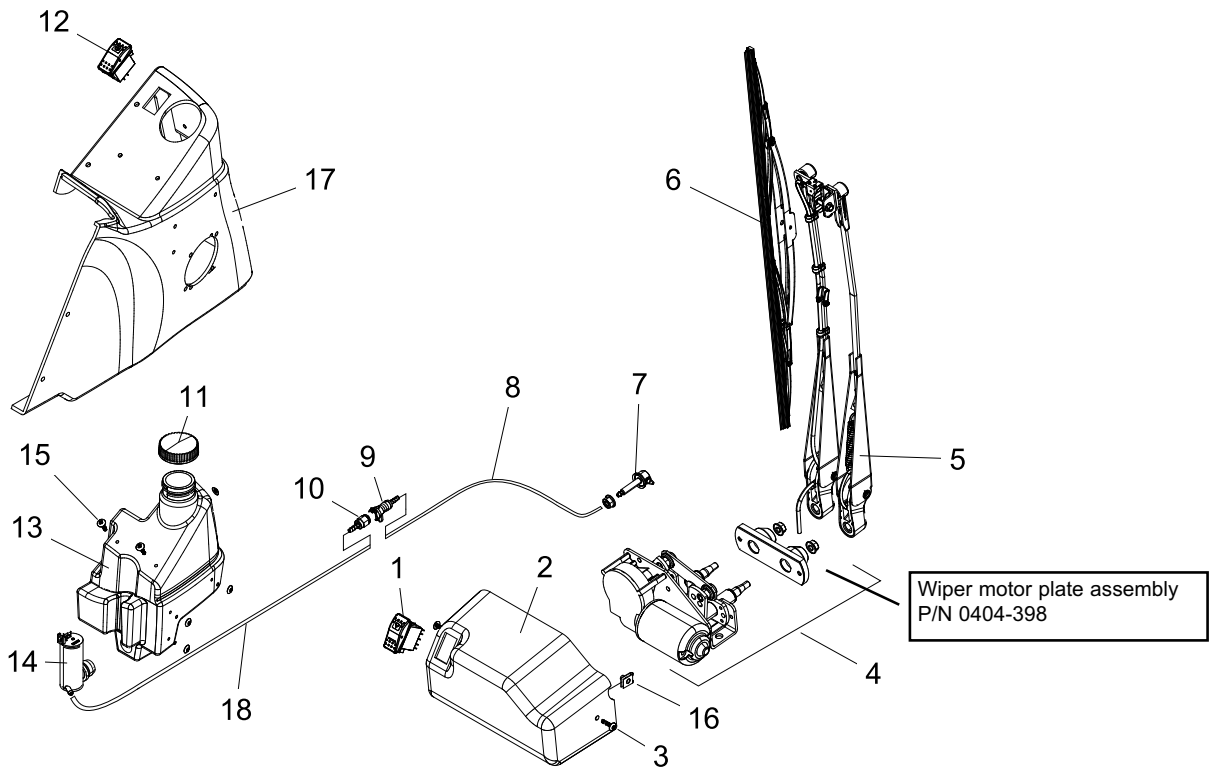
RT120 Serial #: valid from - 00200

R350T Serial #: valid from - 00300

Chapter 8

REF. NO.	PART NUMBER	QTY.	DESCRIPTION	REF. NO.	PART NUMBER	QTY.	DESCRIPTION
1	0403-986	1	SWITCH WIPER - 2 SPEED				
2	0403-985	1	COVER, WIPER				
3	0090-117	2	CAPSCREW TH PH 10-24 X .75 SS				
4	0403-995	1	MOTOR WIPER 45 PANTOGRAPH				
5	0403-996	1	ARM WIPER 550 MM PANTOGRAPH WET				
6	0403-997	1	BLADE WIPER 650 MM				
7	0403-998	1	CONNECTOR 90° ELBOW METAL				
8	0404-800	1	HOSE, WASHER FLUID 9"				
9	0403-757	1	COUPLER FEMALE WASHER LINE				
10	0403-756	1	COUPLER MALE WASHER LINE				
11	0403-715	1	CAP WASHER RESERVOIR				
12	0403-682	1	SWITCH WINDSHIELD WASHER				
13	0403-712	1	BOTTLE WASHER				
14	0403-713	1	PUMP WASHER RESERVOIR				
15	0090-128	6	SCREW TH PH 10-24 x 5 SS				
16	0090-163	2	NUT U 10-24 UNC				
17	2075-642	1	PANEL FRONT LH E/H W/ WASHER TANK				
18	0404-801	1	HOSE, WASHER FLUID 37"				

FORESTRY ONLY



Chapter 9

HVAC Standard & Forestry

9-1 HVAC Standard & Forestry (Cab components)

RT120 Serial # valid from - 00200 **9-1A**

R350T Serial # valid from - 00300 **9-1A**

9-2 HVAC Standard & Forestry (Engine components)

RT120 Serial # valid from - 00200 **9-2A**

R350T Serial # valid from - 00300 **9-2A**

9-3 Standard Cab Ductwork

RT120 Serial # valid from - 00200 **9-3A**

R350T Serial # valid from - 00300 **9-3A**

9-4 Forestry Cab Ductwork

RT120 Serial # valid from - 00200 **9-4A**

R350T Serial # valid from - 00300 **9-4A**

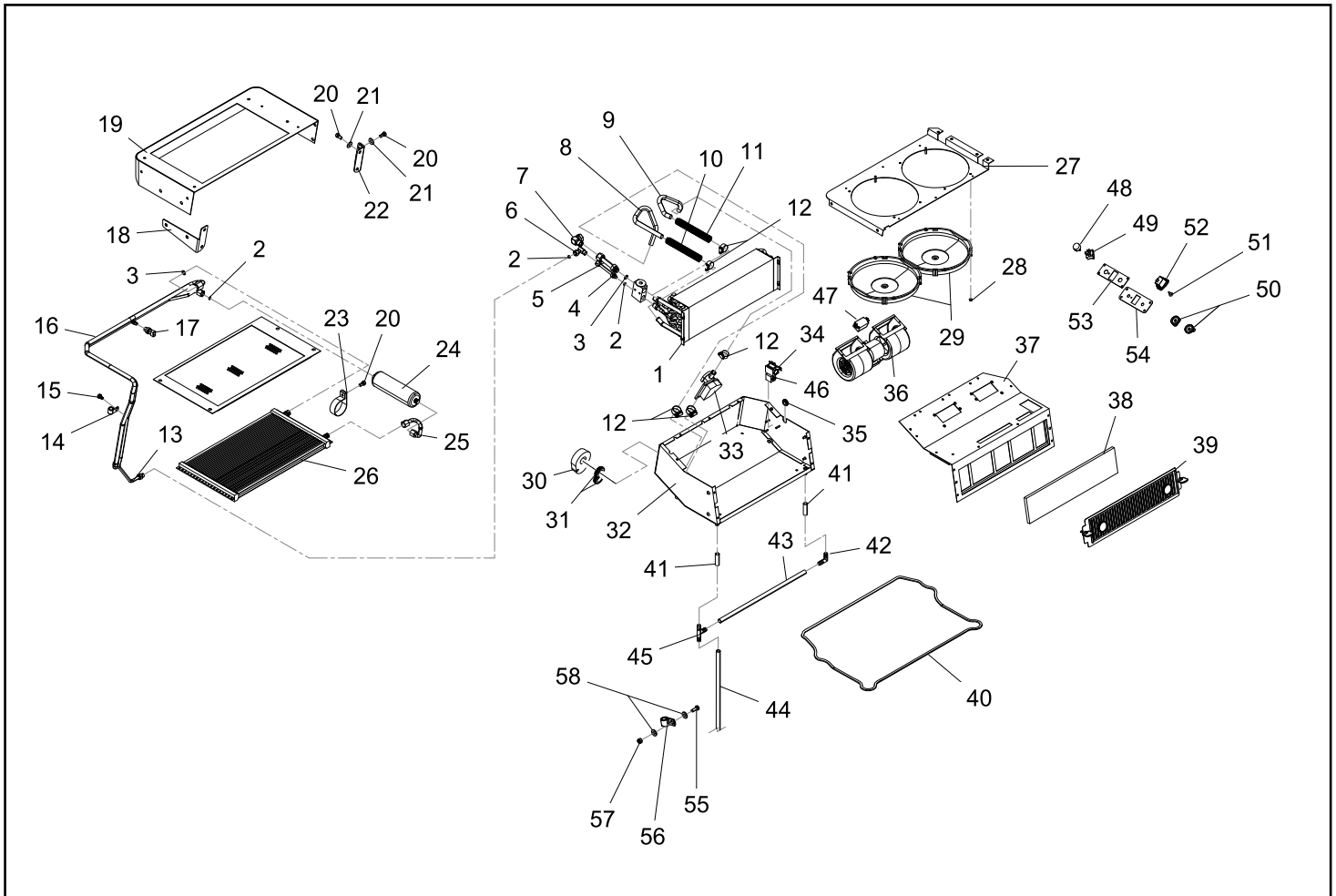
Parts manuals are updated on a regular basis.

Always refer to current online posted manuals to ensure you have the most up to date information prior to ordering parts.

NOTE: Ordering parts that are painted requires a specific part number format. Please refer to page II of this manual for paint code and ordering information.

REF. NO.	PART NUMBER	QTY.	DESCRIPTION
1	2095-636	1	ASSY EVAPORATOR COIL
2	2076-188	3	O-RING # 6 ACOR
3	2076-189	3	O-RING # 10 GREEN
4	2095-630	1	ASSEMBLY TUBE #10
5	2095-629	1	ASSEMBLY TUBE #6
6	2075-981	1	ADAPTOR NO.6 90^
7	2075-980	1	ADAPTOR NO.10 90^
8	3030-375	1	HOSE HEATER OUT
9	3030-376	1	HOSE HEATER IN
10	3030-377	1	SPRING OUT
11	3030-378	1	SPRING IN
12	0315-103	4	CLAMP, HOSE, #10
13	2095-552	1	ASSY TUBE NO 6 OUTLET
14	0310-465	1	CLAMP,WIRE,5/8,RBC-5/8
15	0302-537	1	SCREW,HWH,TAPPING,5/16-18x3/4,
16	2095-553	1	ASSY TUBE NO 8 OUTLET
17	2045-889	1	SWITCH PRESSURE LOW
18	2076-519	1	WLMT MOUNT ROPS RH
19	2095-546	1	WLMT CONDENSER HOUSING
20	8102-220	9	CAPSCREW,HH,3/8-16x0.75",GD8
21	8050-282	8	WASHER,WROUGHT,3/8,STD,ZN
22	2076-482	1	MOUNT CONDENSOR LH HVAC
23	2095-549	1	CLAMP RECIEVER DRYER
24	2095-550	1	RECIEVER DRYER
25	2095-551	1	TUBE OUTLET CONDENSER
26	2095-547	1	CONDENSER
27	2095-548	1	CONDENSER FAN PLATE
28	0314-512	8	NUT,FLANGE,TOPLOCK,M10X1.50
29	2076-170	2	FAN A/C CONDENSOR
30	0090-546	1	FOAM MEMORY 1 X 1 X 10"
31	2095-678	2	GROMMET 1.25 x .875 (.12)
32	2095-680	1	EVAPORATOR HOUSING WA
33	2096-483	1	VALVE HEATER
34	2095-673	1	CONTROL COLD
35	2095-677	1	GROMMET 7/8 x 5/8
36	2045-903	1	BLOWER
37	2095-679	1	EVAPORATOR LID WA
38	2095-637	1	CUT FILTER FOAM
39	2095-975	1	RECIRC COVER ADJUSTABLE
40	0090-714	1	1/4 x 1/4 ACRYLIC PSA BACKED FOAM, 68" LONG

REF. NO.	PART NUMBER	QTY.	DESCRIPTION
41	2095-684	2	TUBING 2" PVC - 5/8" OD X 1/2" ID
42	0090-361	1	ELBOW 1/2 X 90^ NYLON
43	2095-685	1	TUBING 18.5" PVC - 5/8" OD X 1/2" ID
44	2095-686	1	TUBING 36" PVC - 5/8" OD X 1/2" ID
45	0090-360	1	TEE 1/2 X 90^ NYLON
46	2095-676	1	RELAY 12V-50A SPDT
47	2076-186	1	THERMOSTAT ELECTRONIC RANCO
48	2095-874	1	CONTROLLER TEMP
49	2045-899	1	SWITCH 3 SPEED
50	2095-873	2	KNOB PERRIN HVAC CONTROL
51	0090-305	4	RETAINER PUSH TYPE .250 DIA
52	2076-241	1	SWITCH A/C
53	2095-876	1	DECAL PLATE HVAC CONTROL
54	2095-875	1	PLATE HVAC CONTROL
55	8102-040	1	CAPSCREW,HH,1/4-20UNCx.75,GD8
56	0310-465	1	CLAMP,WIRE,5/8,RBC-5/8
57	8040-366	1	NUT,HEX,NYLOCK,1/4-20 UNC,ZN
58	8050-222	2	WASHER,WROUGHT,1/4,STD



STANDARD CAB DUCTWORK

RT120 Serial #: valid from - 00200

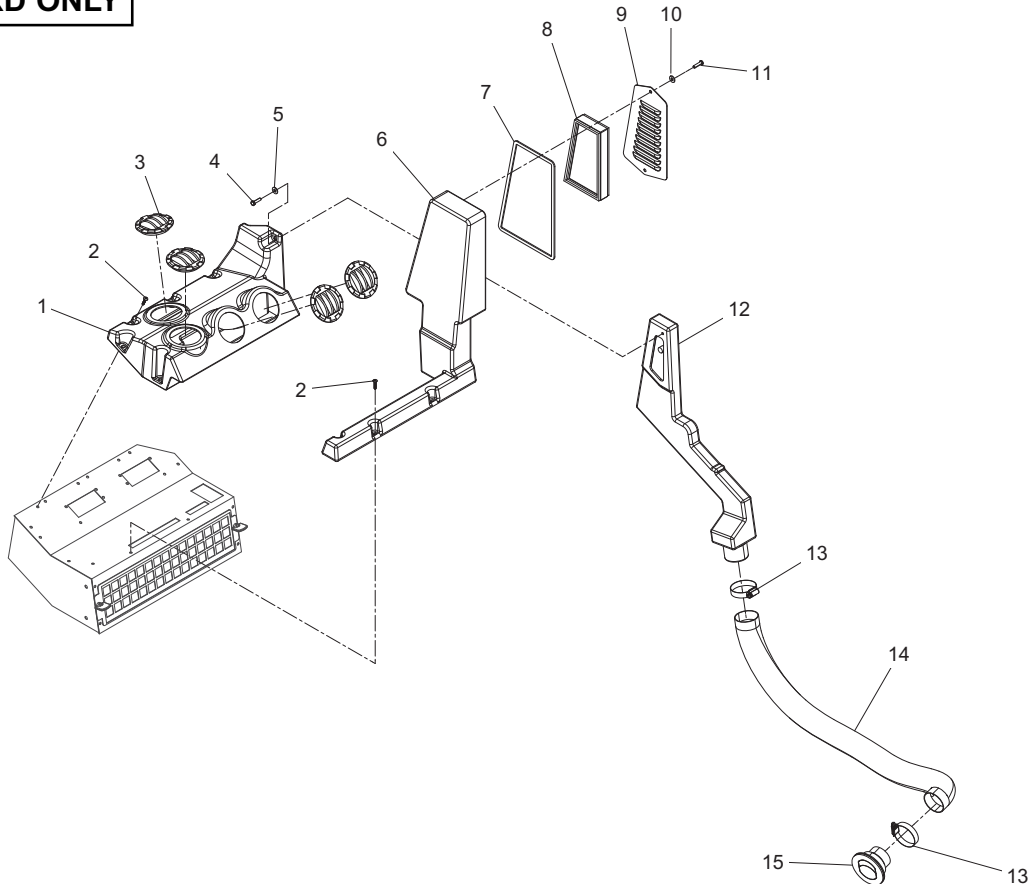
R350T Serial #: valid from - 00300

Chapter 9

REF. NO.	PART NUMBER	QTY.	DESCRIPTION
1	2075-793	1	PLENUM OUTLET HVAC
2	0090-253	10	SCREW TH PH 10-32 x 1.0 ZN
3	2045-895	4	LOUVER
4	8102-042	5	CAPSCREW, HH 1/4-20UNC 1" GD8
5	8050-222	7	WASHER, WROUGHT, 1/4, STD, ZN
6	2095-722	1	PLENUM INLET HVAC
7	2095-886	1	SEAL INLET DUCT
8	2075-811	1	FILTER FRESH AIR
9	2075-812	1	COVER FRESH AIR FILTER
10	8050-221	2	WASHER, FLAT, 1/4, SAE
11	0090-700	2	CAPSCREW STEEL BUTTON SOCKET HEX DRIVE ZINC
12	2095-723	1	DUCT
13	0303-175	2	HOSE, CLAMP, 2.75, HI-TORQUE
14	0090-528	1	DUCT 2.5" , 4'- 0090-331
15	2046-329	1	LOUVER 2.5" DUCT

REF. NO.	PART NUMBER	QTY.	DESCRIPTION

STANDARD ONLY



FORESTRY CAB DUCTWORK

RT120 Serial #: valid from - 00200

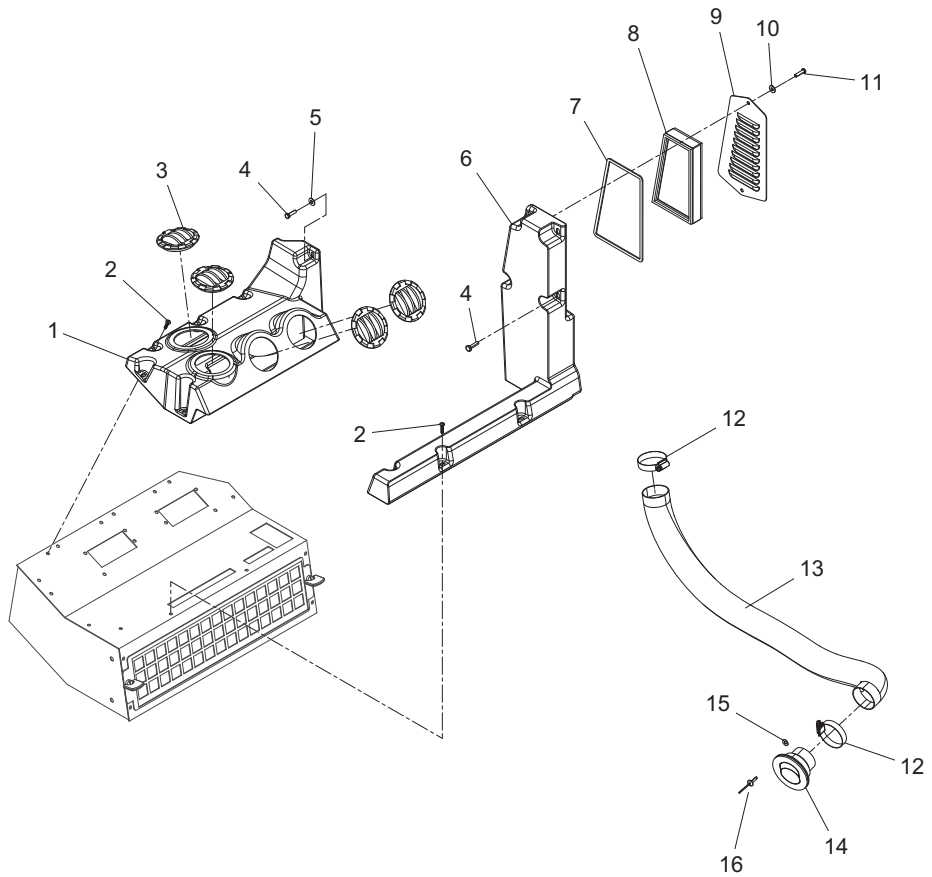
R350T Serial #: valid from - 00300

Chapter 9

REF. NO.	PART NUMBER	QTY.	DESCRIPTION
1	2075-793	1	PLENUM OUTLET HVAC
2	0090-253	10	SCREW TH PH 10-32 x 1.0 ZN
3	2045-895	4	LOUVER
4	8102-042	9	CAPSCREW, HH 1/4-20UNC 1" GD8
5	8050-222	2	WASHER, WROUGHT, 1/4, STD, ZN
6	2075-794	1	PLENUM INLET HVAC
7	2095-886	1	SEAL INLET DUCT
8	2075-811	1	FILTER FRESH AIR
9	2075-812	1	COVER FRESH AIR FILTER
10	8050-221	2	WASHER, FLAT, 1/4, SAE
11	0090-700	2	CAPSCREW 1/4-20 X 1" ZINC BUTTON SOCKET
12	0303-175	2	HOSE, CLAMP, 2.75, HI-TORQUE
13	0090-444	1	DUCT, 3.0" x 26"
14	2045-907	1	LOUVER
15	8050-091	4	WASHER, WROUGHT, #6, SAE, ZN
16	8060-209	4	RIVET BLIND 1/8 X.313-.375

REF. NO.	PART NUMBER	QTY.	DESCRIPTION

FORESTRY ONLY



Chapter 10

Quick Attach Standard & Forestry

10-1 Hydraulic Quick Attach

RT120 Serial # valid from - 00200 **10-1A**

R350T Serial # valid from - 00300 **10-1A**

Parts manuals are updated on a regular basis.

Always refer to current online posted manuals to ensure you have the most up to date information prior to ordering parts.

NOTE: Ordering parts that are painted requires a specific part number format. Please refer to page II of this manual for paint code and ordering information.

Chapter 11

Optional Equipment

11-1 Seat / Seatbelt Options

RT120 Serial # 00200 - 01500 **11-1A**

R350T Serial # 00300 - 01500 **11-1A**

RT120 Serial # valid from - 01501 **11-1B**

R350T Serial # valid from - 01501 **11-1B**

11-2 Poly Door (Does not apply to Forestry machines)

RT120 Serial # 00200 - 01405 **11-2A**

R350T Serial # 00300 - 01405 **11-2A**

RT120 Serial # valid from - 01406 **11-2B**

11-3 LED External Lights

RT120 Serial # valid from - 00200 **11-3A**

R350T Serial # valid from - 00300 **11-3A**

Parts manuals are updated on a regular basis.

Always refer to current online posted manuals to ensure you have the most up to date information prior to ordering parts.

NOTE: Ordering parts that are painted requires a specific part number format. Please refer to page II of this manual for paint code and ordering information.

SEAT / SEATBELT OPTIONS

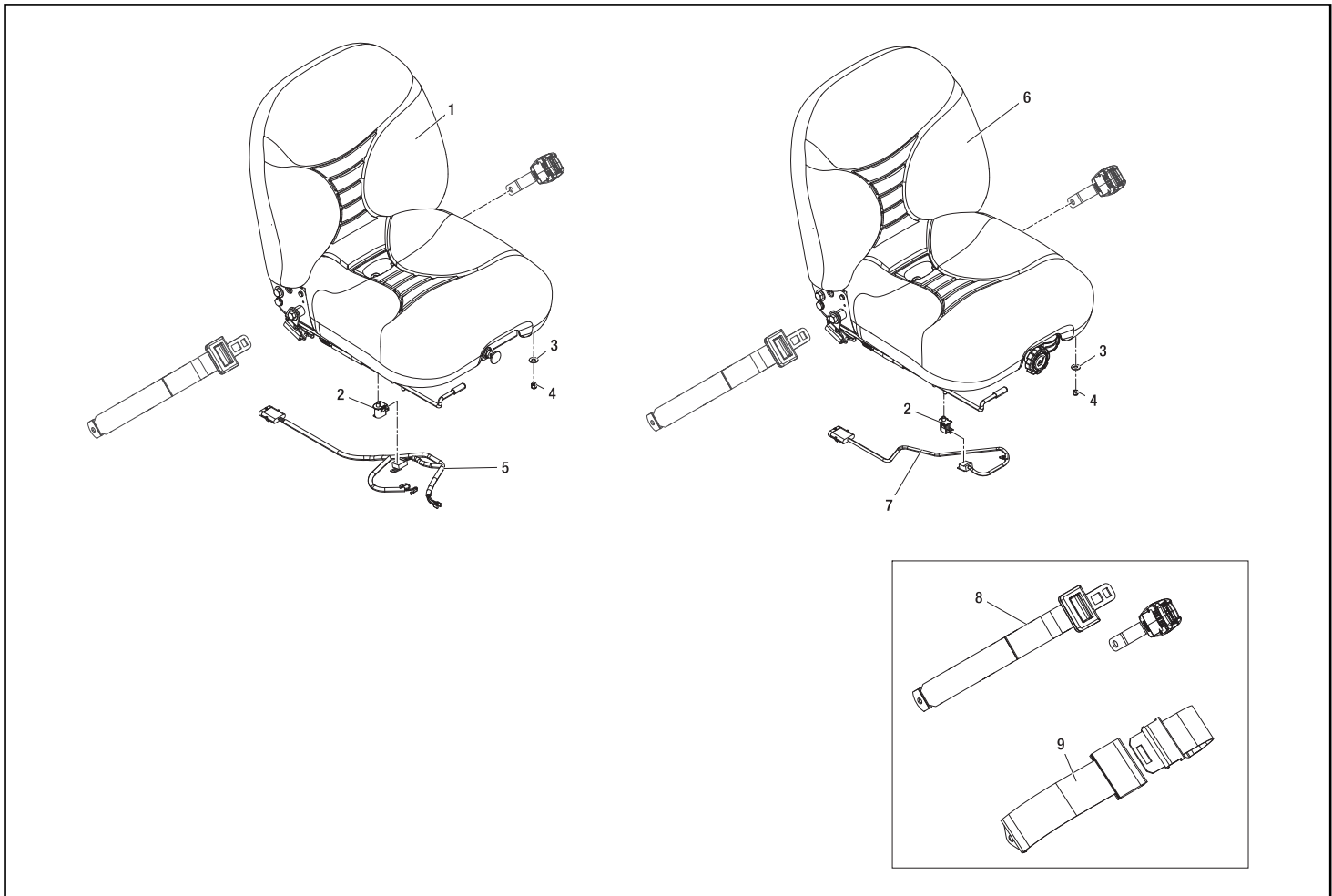
RT120 Serial #: 00200 - 01500

R350T Serial #: 00300 - 01500

Chapter 11

REF. NO.	PART NUMBER	QTY.	DESCRIPTION
1	3000-044	1	SEAT, SUSPENSION AIR RIDE
2	3000-690	1	SWITCH SEAT
3	8050-262	4	WASHER, WROUGHT, 5/16, STD, ZN
4	8040-426	4	NUT, HEX, NYLOCK, 5/16-18 UNC, ZN
5	3000-692	1	HARNESS SEAT SWITCH AIR RIDE
6	3000-043	1	SEAT SUSPENSION MECHANICAL
7	3000-691	1	HARNESS SEAT SWITCH
8	2076-409	1	BELT SEAT 2" ADJUSTABLE
9	2076-410	1	BELT SEAT 3" ADJUSTABLE

REF. NO.	PART NUMBER	QTY.	DESCRIPTION



SEAT / SEATBELT OPTIONS

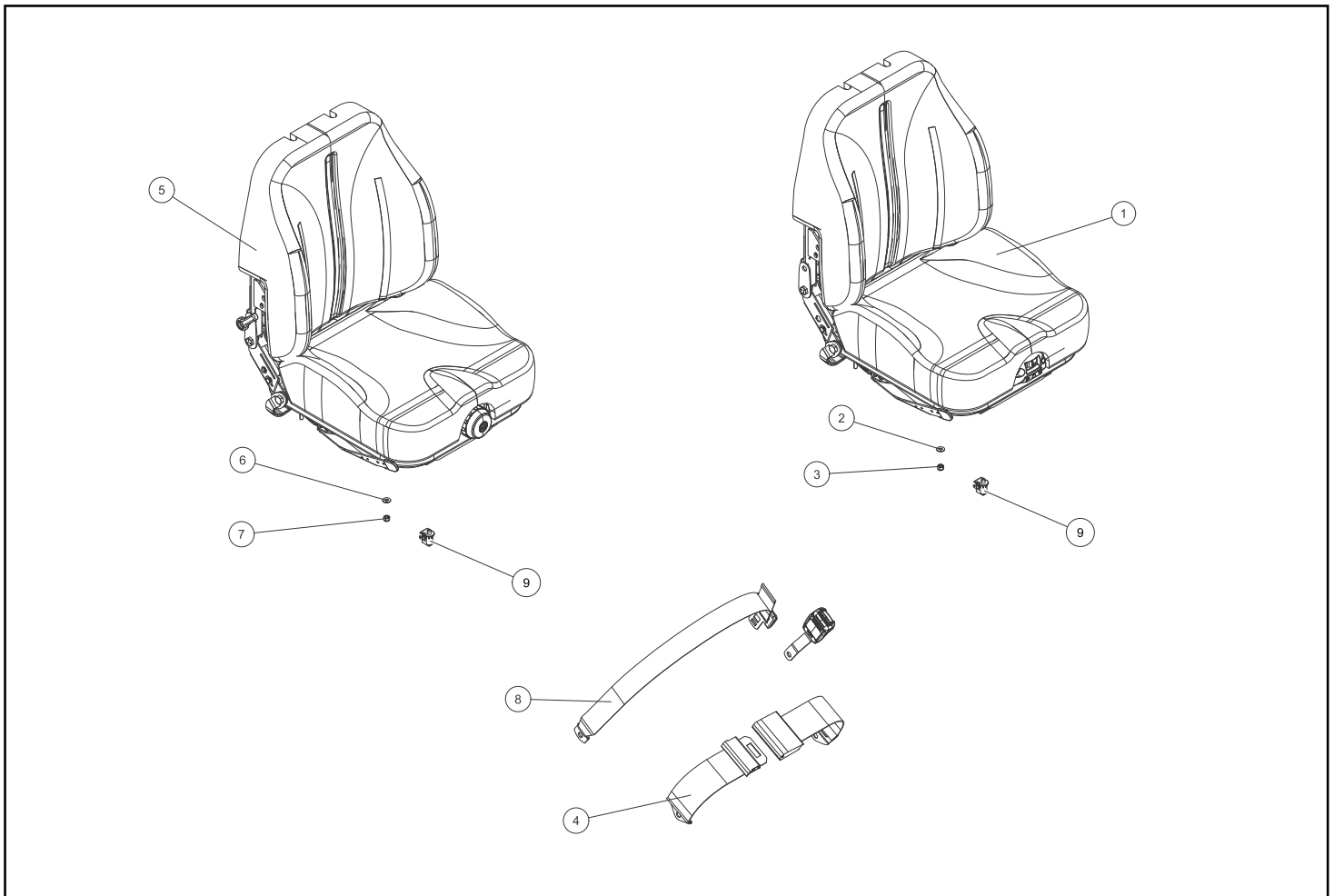
RT120 Serial #: valid from - 01501

R350T Serial #: valid from - 01501

Chapter 11

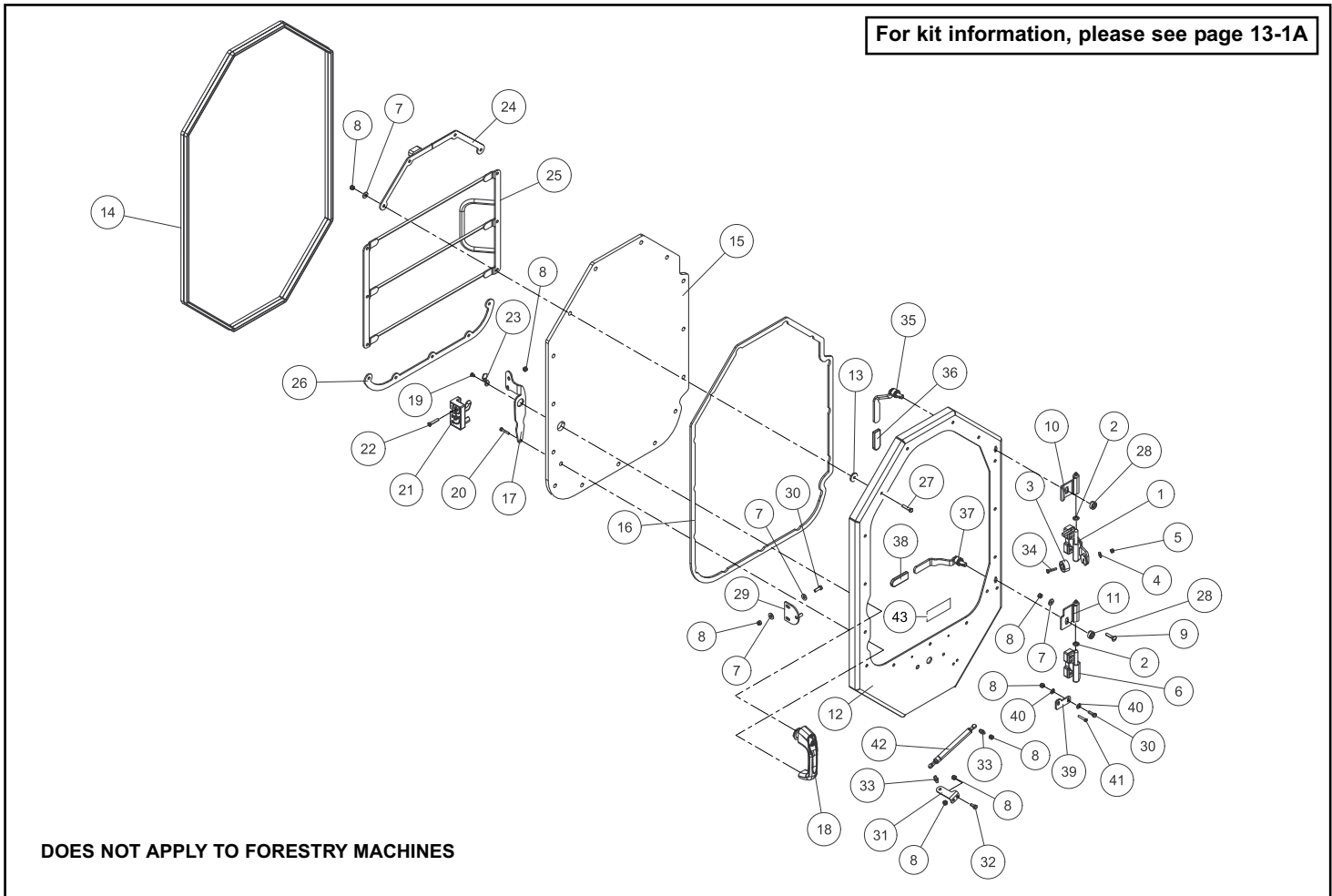
REF. NO.	PART NUMBER	QTY.	DESCRIPTION
1	2017-392	1	SEAT, AIR RIDE
2	8050-222	4	WASHER, FLAT, 1/4, STD
3	8040-426	4	NUT, HEX, NYLOCK, 5/16-18, UNC
4	2076-410	1	BELT SEAT 3 ADJUSTABLE
5	2017-391	1	SEAT, MECHANICAL
6	8050-222	4	WASHER, FLAT, 1/4, STD
7	8040-426	4	NUT, HEX, NYLOCK, 5/16-18, UNC
8	2076-666	1	BELT, 2 SEAT
9	2014-839	1	SWITCH, SEAT

REF. NO.	PART NUMBER	QTY.	DESCRIPTION



REF. NO.	PART NUMBER	QTY.	DESCRIPTION
1	2097-145	1	HINGE W/ STOP, FORESTRY DOOR
2	2097-185	2	13MM HINGE BUSHING
3	0090-049	1	BUMPER RUBBER
4	8050-222	1	HARDENED WASHER,FLAT,1/4,USS
5	8040-366	1	NUT,HEX,NYLOCK,1/4-20,UNC
6	2097-144	1	WELDMENT HINGE LOWER
7	8050-262	23	HARDENED WASHER,FLAT,5/16,USS
8	8040-426	28	NUT,HEX,NYLOCK,5/16-18,UNC
9	8011-135	4	BOLT, CARRIAGE, 5/16-18 X 1.50
10	2097-201	1	WLMT, HINGE, DOOR, FORESTRY, UPPER
11	2097-244	1	WLMT, HINGE, BOTTOM
12	2096-635	1	WELDMENT, POLY DOOR
13	2045-522	15	WASHER MOUNTING DOOR HANDLE
14	2096-636	1	EDGE TRIM SEAL, POLY DOOR
15	2096-629	1	PANEL, POLY DOOR
16	2096-630	1	SEAL, POLY DOOR
17	2076-253	1	MOUNT DOOR HANDLE
18	2075-406	1	HANDLE, PUSH BUTTON
19	0090-622	1	SCREW, MACH, PH PAN HD, M6-1.0 X 10MM CL ZNC
20	0310-517	1	M6-1.0x30
21	2075-407	1	HANDLE INSIDE
22	0090-257	2	SCREW FH PH 5/16 x 1.75 ZN
23	0404-584	1	CATCH, DOOR LATCH
24	2076-256	1	WLMT POLY RETAINER UPPER
25	2097-208	1	POLY RETAINER W/ HANDLE
26	2096-631	1	POLY RETAINER BOTTOM
27	8102-135	14	CAPSCREW,HH,5/16-18UNCx1.50,GD8
28	0090-734	2	CAM, DOOR LOCK
29	7005-800	1	WLMT, CATCH PLATE
30	8102-132	3	CAPSCREW,HH,5/16-18UNCx1.0,GD8
31	2076-260	1	DOOR SPRING MOUNT
32	8102-130	2	CAPSCREW,HH,5/16-18UNCx.75,GD8
33	0304-495	2	STUD,BALL,10MM STUD
34	8102-044	1	CAPSCREW,HH,1/4-20x1.25
35	2097-218	1	ASSY, RELEASE HANDLE, 45 DEGREE
36	2076-487	1	SLEEVE DOOR HANDLE RED
37	2097-219	1	ASSY, RELEASE HANDLE, OFFSET
38	2076-487	1	SLEEVE DOOR HANDLE RED
39	2097-245	1	STOP, HINGE, BOTTOM
40	8050-247	3	HARDENED WASHER,FLAT,5/16,SAE

REF. NO.	PART NUMBER	QTY.	DESCRIPTION
41	8102-136	1	CAPSCREW,HH,5/16-18UNCx1.75,GD8
42	2097-255	1	SPRING, GAS ASSIST
43	2076-411	1	DECAL EMERGENCY EXIT



For kit information, please see page 13-1A

DOES NOT APPLY TO FORESTRY MACHINES

LED EXTERNAL LIGHTS

RT120 Serial #: valid from - 00200

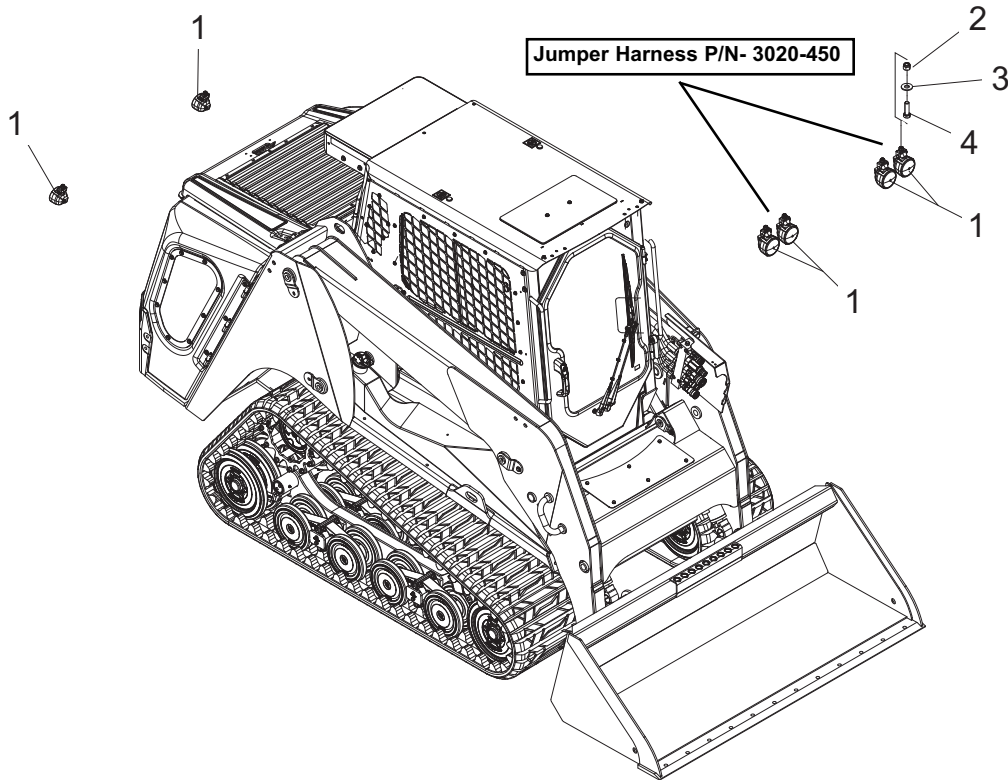
R350T Serial #: valid from - 00300

Chapter 11

REF. NO.	PART NUMBER	QTY.	DESCRIPTION
1	0404-589	6	LIGHT, LED, FLUSH MOUNT
2	8040-486	6	NUT,HEX,NYLOCK,3/8-16 UNC,ZN
3	8050-282	6	WASHER,WROUGHT,3/8,STD,ZN
4	8102-224	6	CAPSCREW,HH,3/8-16UNCx1.25,GD8,ZN

REF. NO.	PART NUMBER	QTY.	DESCRIPTION

For kit information, please see page 13-1A



Chapter 12

Graphics / Safety Decals

12-1 ANSI Safety Decals

RT120/R350T Serial # valid until - 01288 **12-1A**

12-2 ISO Safety Decals

RT120 Serial # valid from - 01289 **12-2A**

12-3 Machine Graphics (ASV)

RT120 Serial # valid from - 00200 **12-3A**

12-4 Machine Graphics (ASV)

RT120 Forestry Serial # valid from - 00200 **12-4A**

12-5 Machine Graphics (TEREX)

R350T Serial # valid from - 00300 **12-5A**

12-6 Machine Graphics (TEREX)

R350T Forestry Serial # valid from - 00300 **12-6A**

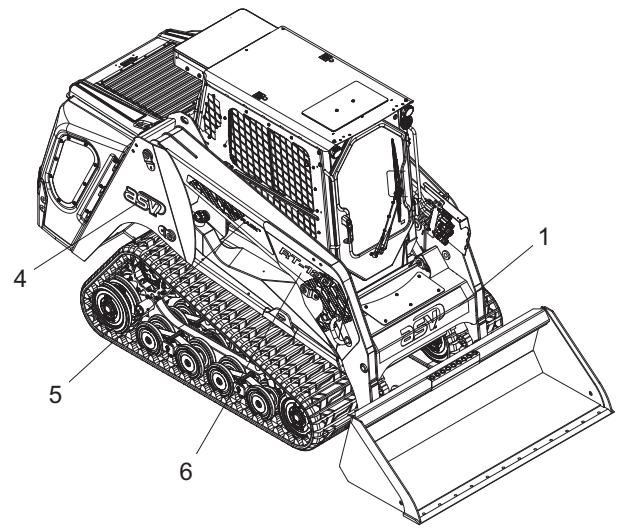
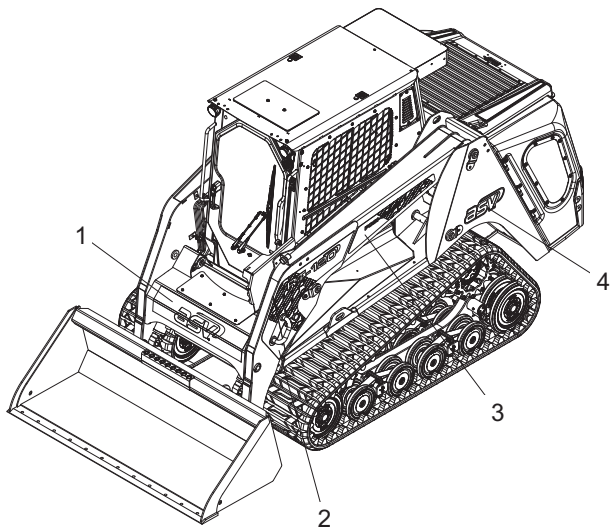
Parts manuals are updated on a regular basis.

Always refer to current online posted manuals to ensure you have the most up to date information prior to ordering parts.

REF. NO.	PART NUMBER	QTY.	DESCRITION
1	2030-337	1	DECAL LOADER FRONT
2	2096-530	1	DECAL LOADER LH FRONT RT120
3	2096-338	1	DECAL LOADER LH REAR RT110/120
4	2030-333	2	DECAL ASV
5	2096-337	1	DECAL LOADER RH REAR RT110/120
6	2096-528	1	DECAL LOADER RH FRONT RT120

REF. NO.	PART NUMBER	QTY.	DESCRITION

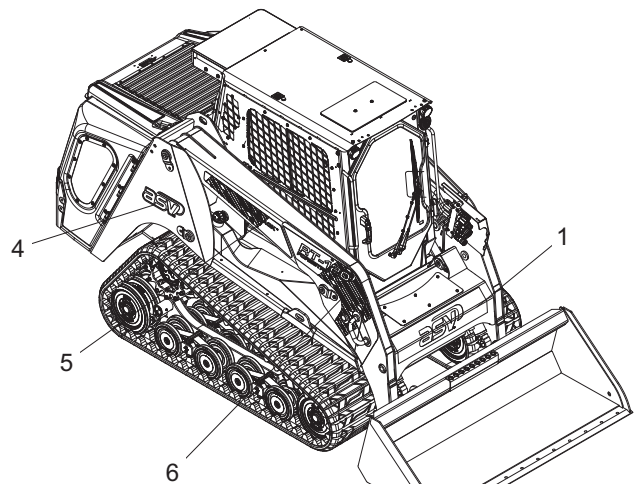
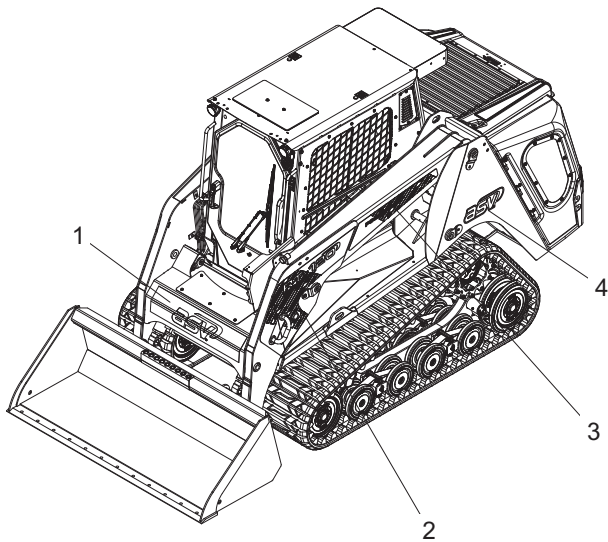
For kit information, please see page 13-1A



REF. NO.	PART NUMBER	QTY.	DESCRIPTION
1	2030-337	1	DECAL LOADER FRONT
2	2096-538	1	DECAL LOADER LH FRONT FORESTRY RT120F
3	2096-436	1	DECAL LOADER LH REAR FORESTRY RT110F/120F
4	2030-333	2	DECAL ASV
5	2096-435	1	DECAL LOADER RH REAR FORESTRY RT110F/120F
6	2096-536	1	DECAL LOADER RH FRONT FORESTRY RT120F

REF. NO.	PART NUMBER	QTY.	DESCRIPTION

For kit information, please see page 13-1A



R350T MACHINE GRAPHICS

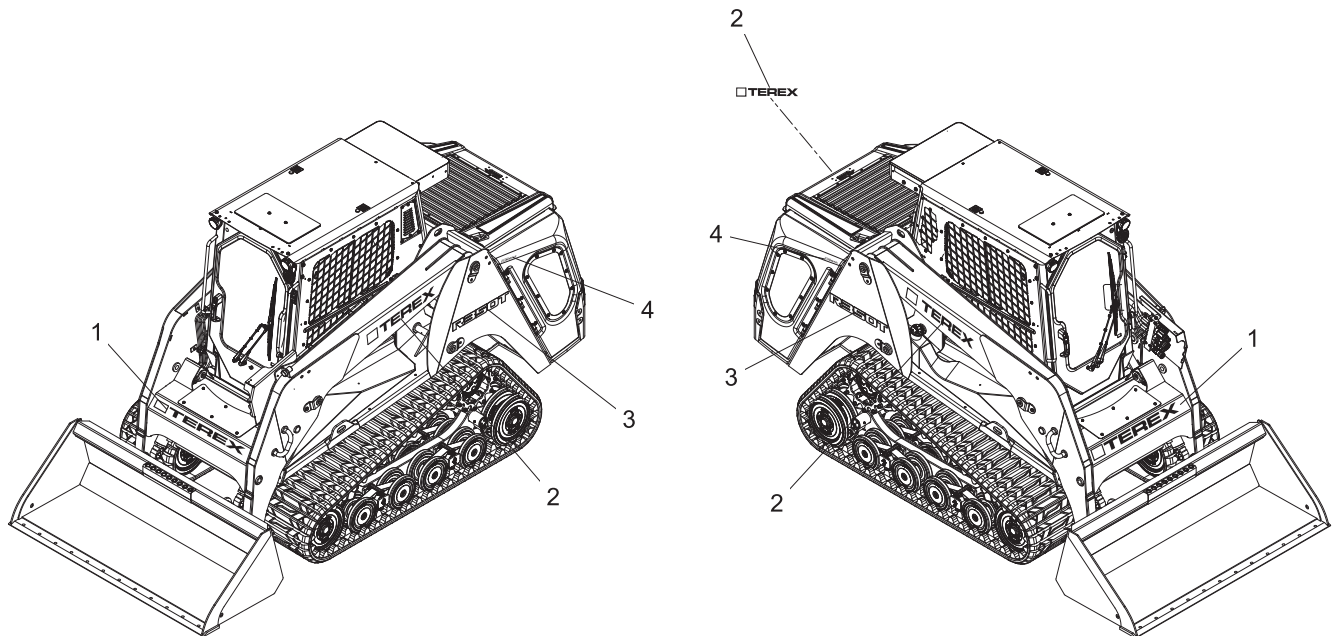
Serial #: valid from - 00300

Chapter 12

REF. NO.	PART NUMBER	QTY.	DESCRIPTION
1	2030-492	1	DECAL CROSS MEMBER BLACK TEREX
2	2075-965	3	DECAL LOADER LEFT/RIGHT REAR
3	0090-585	2	DECAL R350T
4	2096-448	2	DECAL CUMMINS

REF. NO.	PART NUMBER	QTY.	DESCRIPTION

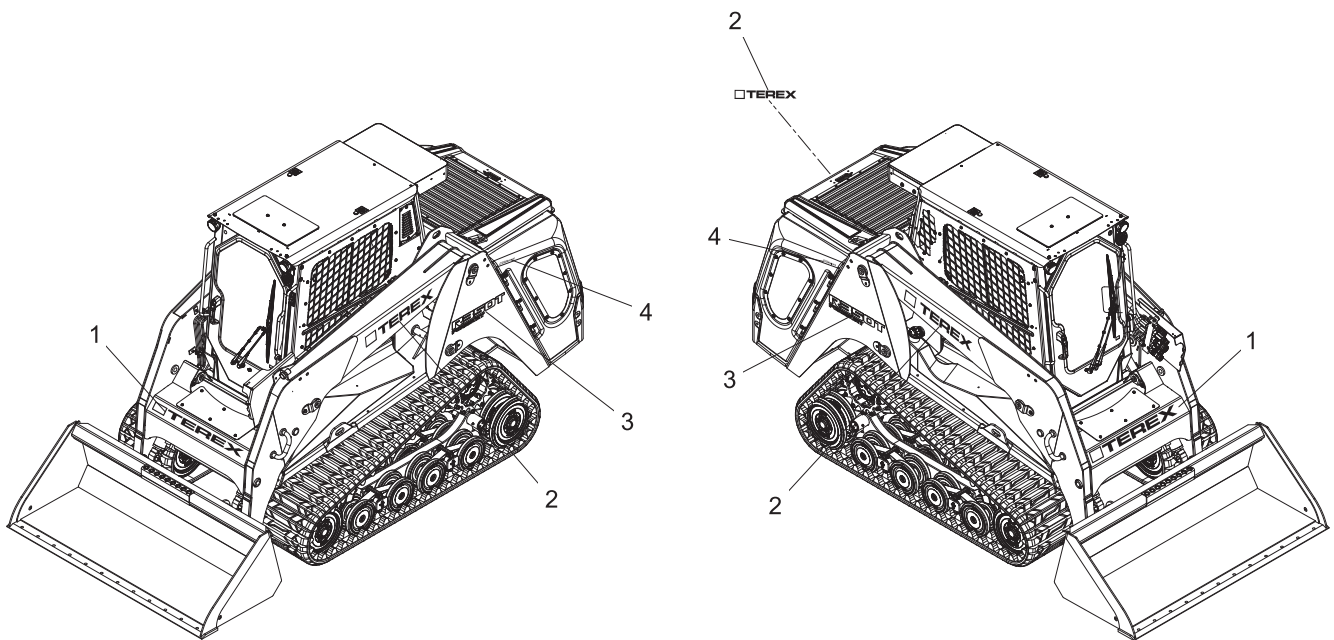
For kit information, please see page 13-1A



REF. NO.	PART NUMBER	QTY.	DESCRIPTION
1	2030-492	1	DECAL CROSS MEMBER BLACK TEREX
2	2075-965	3	DECAL LOADER LEFT/RIGHT REAR
3	0090-586	2	DECAL R350T FORESTRY
4	2096-448	2	DECAL CUMMINS

REF. NO.	PART NUMBER	QTY.	DESCRIPTION

For kit information, please see page 13-1A



Chapter 13

Kits

<u>Page</u>	<u>Kit Description</u>	<u>Part number</u>
2-2A	Complete Charge pump seal kit Shaft Seal Charge Pump	2096-921 2096-918
3-5A	KIT, SEAL	2095-537
3-8A	Complete Aux. pump seal kit Complete Tandem pump seal kit	0404-099 0404-100
4-1A	Complete Radio kit	2076-268
7-3A	Side window latch slider kit	0404-165
8-4A	Side window latch slider kit	0404-165
8-4B	Forestry Poly Door Kit	0404-815
10-2A	Hydraulic QA assembly	2075-606
11-2A	Poly Door kit- Field Install	7800-171
11-3A	LED External Light Kit	0404-631



ASV Holdings Inc.

840 Lily Lane

Grand Rapids, MN 55744

1-800-205-9913

www.asvi.com