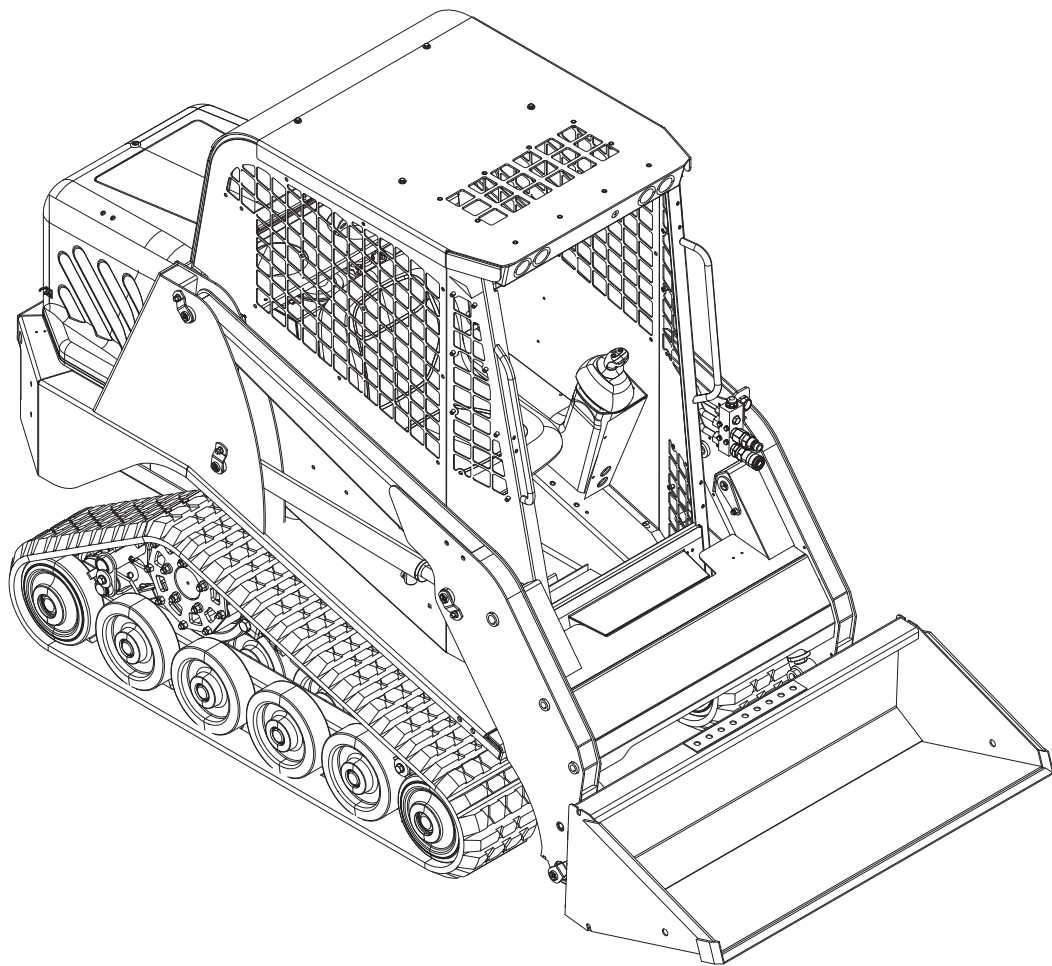


Master Parts Manual

Compact Track Loader



RT-30
R070T

Printed 11/08/2019

Table of Contents

1. Service Parts
 - 1-1 General Service Items / Lubricants
 - 1-2 Cylinder Service Items
 - 1-3 Harnesses
2. Fuel/Engine
 - 2-1 Diesel Engine
 - 2-2 Cooling System
3. Hydraulic Components
 - 3-1 Hydraulic Reservoir
 - 3-2 Lift Arm Assembly
 - 3-3 Lift Arm Tubes and Fittings
 - 3-4 Hydraulic Control
 - 3-5 Drive Auxilliary Pump
4. Electrical
 - 4-1 Light Bar Assembly
 - 4-2 Fuse Panel
5. Undercarriage
 - 5-1 Torsion Axle
 - 5-2 Undercarriage Assembly, RT
 - 5-3 Undercarriage Assembly, LT
6. Mainframe
 - 6-1 Chassis
 - 6-2 Hood Assembly
7. Cab / Heating / Air Conditioning
 - 7-1 Cab
 - 7-2 Enclosed Cab
 - 7-3 Cab Heat

8. Quick Attach
 - 8-1 Quick Attach
 - 8-2 Quick Attach Adarter
9. Graphics / Safety Decals
 - 9-1 ANSI Safety Decals
 - 9-2 ISO Safety Decals
 - 9-3 Machine Graphics

* Parts manuals are updated on a regular basis. Always refer to the current online version to ensure you have the most up to date information prior to ordering parts.

NOTE: Ordering parts that are painted requires a specific part number format. Please refer to page II of this manual for paint code and ordering information.

Painted Service Parts

ordering guidelines

Compact Track and Skid Steer Loaders are available in various colors and nomenclatures (brands / model names). **Paint color needs to be specified when ordering painted components.** When ordering painted components, inform the support representative of the brand and model name of your machine before selecting the proper color from the list below. The support representative should be able to assist you in finding the correct one based on your machine's **VIN number**. This should help to identify the original machine configuration and nomenclature.

***Note:** Not all colors are available on all components. Available colors are limited to those considered “standard” on your particular machine and component(s). Please do not attempt to order non-standard colors for your machine as the order will not be fulfilled until corrected.

The color codes are to be referenced as a suffix to the part number of the component you are requesting, for example: 0000-000-GRN (indicating a green part).

The following is a list of available colors.

<u>Color</u>	<u>Color Code:</u>
BLACK	BLK (ALL MODELS)
WHITE	WHT (TEREX)
YELLOW	YEL (VERMEER)
YELLOW	YEY (ASV)
GREEN	GRN (SUNBELT)
RED	RED (TAKEUCHI)
GRAY	GRY (TEE)
GRAY	GTG (SKID STEER WHEELS ONLY)
ORANGE	ORN (ASPLUNDH)

Chapter 1

Service Parts

<u>1-1 Service Items / Lubricants</u> . . .	1-1A
<u>1-2 Cylinder Service Items</u>	1-2A
<u>1-3 Harnesses</u>	1-3A

- * Parts manuals are updated on a regular basis. Always refer to the current online version to ensure you have the most up to date information prior to ordering parts.

GENERAL SERVICE ITEMS & LUBRICANTS

<u>ITEM</u>	<u>MANUFACTURER/DESCRIPTION</u>	<u>PART NUMBER</u>
Engine Oil Filter	Filter, Oil	0200-377
Primary Air Filter	Filter, Air	0304-434
Secondary Air Filter	Filter, Air	0304-435
Engine Fuel Filter	Filter, Fuel	0200-213
Fan Belt	Belt, Fan	2010-117
Antifreeze/Coolant (1 gal.)	Ethylene Glycol (long life)	0300-766
Antifreeze/Coolant (Case/6 gal.)	Ethylene Glycol (long life)	0402-841
Engine Oil (1 qt.)	Multi-Grade 10W-30	0300-767
Engine Oil (Case/12 qt.)	Multi-Grade 10W-30	0402-838
Engine Oil (1 gal.)	Multi-Grade 10W-30	0402-839
Engine Oil (Case/6 gal.)	Multi-Grade 10W-30	0402-840
Grease (1 Tube)	Multi-Purpose Lithium	0300-769
Grease (Box/10 Tubes)	Multi-Purpose Lithium	0402-844
Grease (Case/40 Tubes)	Multi-Purpose Lithium	0402-834

HYDRAULIC SERVICE ITEMS & LUBRICANTS

<u>ITEM</u>	<u>DESCRIPTION</u>	<u>PART NUMBER</u>
Hydraulic Oil Filter	Element,Filter,MP	0200-204
Kit,Seal,Loader Valve & Relief	Fits Loader Valve (P/N:2010-830)	2010-777
Kit,Seal,Bucket/Tilt Cylinder	Fits Cylinder (P/N:2010-827,2010-828)	0404-531
Rod,Bucket/Tilt Cylinder	Fits Cylinder (P/N:2010-827,2010-828)	2010-851
End Gland,Bucket/Tilt Cylinder	Fits Cylinder (P/N:2010-827,2010-828)	2010-852
Nut,Bucket/Tilt Cylinder	Fits Cylinder (P/N:2010-827,2010-828,2010-832)	2010-551
Kit,Seal,Lift Arm Cylinder	Fits Cylinder (P/N:2010-832)	2010-832
End Gland,Lift Arm Cylinder	Fits Cylinder (P/N:2010-832)	2010-857

<u>O-RING</u>	<u>PART NUMBER</u>
# 4, ORB Type	0314-366
# 6, ORB Type	0310-619
# 8, ORB Type	0307-353
# 10, ORB Type	0310-620
# 12, ORB Type	0310-621
# 16, ORB Type	0307-354
# 20, ORB Type	0310-832

HARNESSES

RT-30 Serial # 00300-00373
R070T Serial # 00101-00739

ITEM

HARNESS,WIPER,A W/LO
HARNESS,WIPER,B
HARNESS,HEATER W/LOO
HARNESS,JUMPER,QA
HARNESS GAUGE 4 UNIT
4 UNIT GAUGE HARNESS, BEEDE
HARNESS MAIN RT30 PW
HARNESS CAB RT30 PWR
HARNESS AUX PWR ACT
HARNESS, JUMPER, DIODE

PART NUMBER

0304-572
0304-573
0304-575
2015-042
2030-276
2030-929
2010-687
2010-688
2010-689
2030-973

RT-30 Serial # 00374-07591
R070T Serial # 00740-07603

ITEM

HARNESS,WIPER,A W/LO
HARNESS,WIPER,B
HARNESS,HEATER W/LOO
HARNESS,JUMPER,QA
HARNESS GAUGE 4 UNIT
HARNESS GAUGE 3 UNIT BEEDE CTL
HARNESS MAIN RT30 PW
HARNESS CAB RT30 PWR
HARNESS AUX PWR ACT
HARNESS, JUMPER, DIODE

PART NUMBER

0304-572
0304-573
0304-575
2015-042
2030-276
2030-969
2010-687
2010-688
2010-689
2030-973

RT-30 Serial # valid from: 07592
R070T Serial # valid from: 07604

ITEM

HARNESS,WIPER,A W/LO
HARNESS,WIPER,B
HARNESS,HEATER W/LOO
HARNESS,JUMPER,QA
HARNESS, GAUGE 3 UNIT CTL
HARNESS, GAUGE JUMPER
HARNESS MAIN RT30 PW
HARNESS CAB RT30 PWR
HARNESS AUX PWR ACT
HARNESS, JUMPER, DIODE

PART NUMBER

0304-572
0304-573
0304-575
2015-042
2030-987
7011-233
2010-687
2010-688
2010-689
2030-973

Chapter 2

Engine

2-1 Engine

RT-30 Serial # 00300 - 078342-1A

R070T Serial # 00101 - 078342-1A

RT-30 Serial # valid from - 07835.2-1B

2-2 Radiator / Oil Cooler

RT-30 Serial # valid from - 00300.2-2A

R070T Serial # valid from - 00101.2-2A

- * **Parts manuals are updated on a regular basis. Always refer to the current online version to ensure you have the most up to date information prior to ordering parts.**

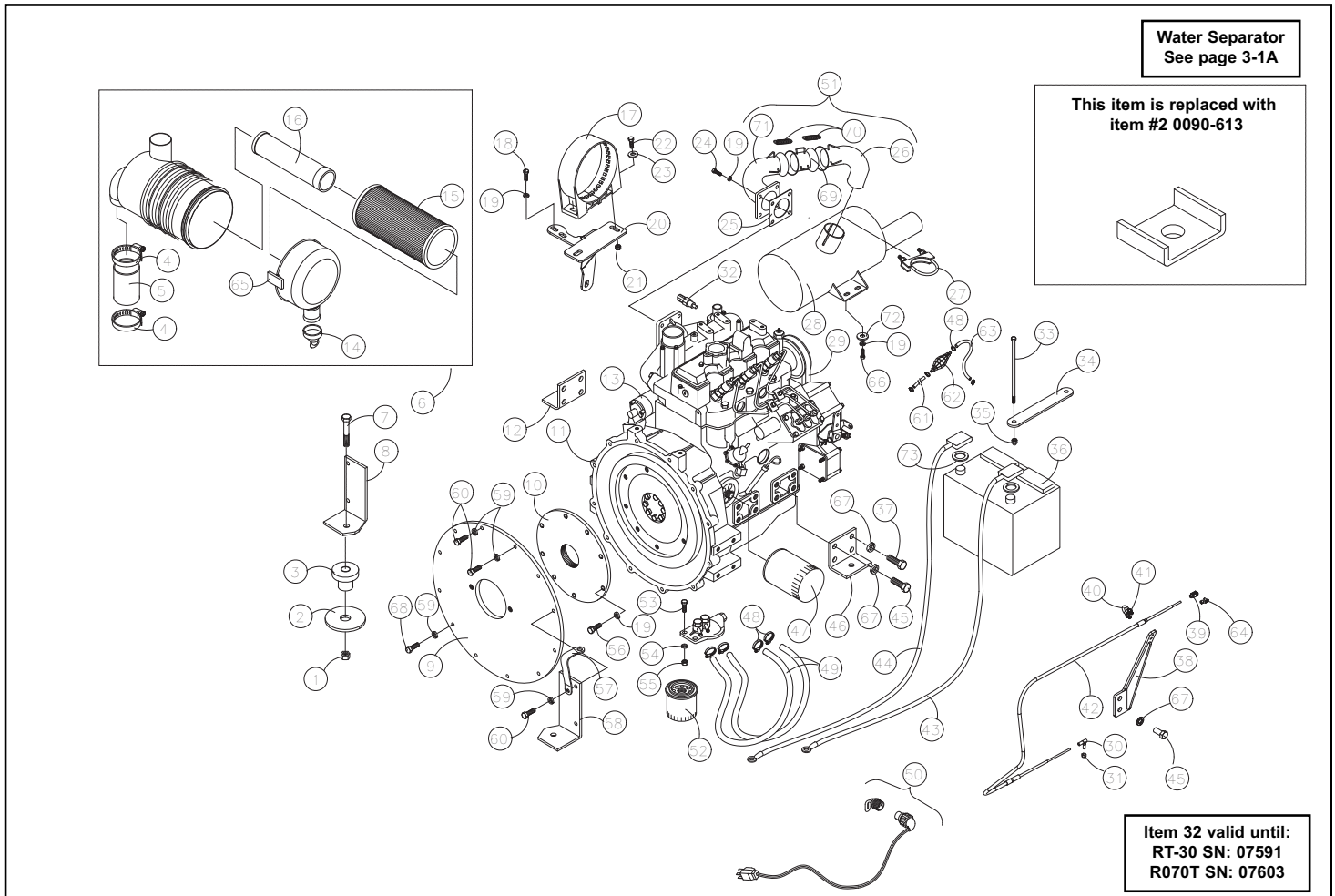
NOTE: Ordering parts that are painted requires a specific part number format. Please refer to page II of this manual for paint code and ordering information.

ENGINE ASSEMBLY

RT-30 00300 - 07834
 RO70T 00101 - 07834

Chapter 2

REF. NO.	PART NUMBER	QTY.	DESCRIPTION	REF. NO.	PART NUMBER	QTY.	DESCRIPTION
1	8040-726	4	NUT,HEX,NYLOCK,5/8-11 UNC,ZN	41	8040-366	2	NUT,HEX,NYLOCK,1/4-20 UNC,ZN
2	0090-613	4	WASHER, 2.5" OD X .64" ID X .179	42	0300-455	1	CABLE,THROTTLE
3	2011-082	4	ISOLATOR, ENGINE, 45 DURO	43	2010-461	1	CABLE,BATTERY,NEGATIVE
4	0303-238	2	CLAMP,HOSE	44	2010-462	1	CABLE,BATTERY,POSITIVE
5	0304-282	1	HOSE,INTAKE,ID2"x4"	45	0304-131	10	CAPSCREW,HH, M14-1.5 X30MM,GD8
6	0304-034	1	ASSY,AIR CLEANER,3013	46	2010-871	1	WLMT,MNT,ENGINE
7	8102-598	4	CAPSCREW,HH,5/8-11UNCx3.25,GD8	47	0200-377	1	FILTER,OIL,ENGINE
8	2010-869	1	WLMT,MNT,ENGINE	48	0315-100	4	CLAMP,HOSE,#4
9	0304-900	1	MNT,PLATE,PUMP	49	0304-509	2	HOSE,FUEL,5/16x26"
10	0304-507	1	PLATE,FLYWHEEL	50	0304-549	1	HEATER,BLOCK
11	2011-028	1	ENGINE PERKINS SERVICE REPLACEMENT	51	0200-312	1	ASSY,TAILPIPE
12	2010-870	1	WLMT,MNT,ENGINE	52	0200-213	1	FILTER,FUEL,PERKINS,404C22
13	0404-001	1	STARTER	53	0301-389	2	CAPSCREW,HH,M10 x 1.50 x 30,ZN
14	0304-503	1	VALVE,DUST	54	0301-781	2	WASHER,SPLIT LOCK,10mm,ZN
15	0304-434	1	FILTER, AIR,PRIMARY,3013	55	0301-780	2	NUT,HEX,10mm x 1.5,ZN
16	0304-435	1	FILTER, AIR,SAFETY,3013	56	8102-132	8	CAPSCREW,HH,5/16-18UNCx1.0 GD8
17	0304-038	1	BAND,MNT,AIR CLEANER	57	0300-546	1	CABLE,GROUND,ENGINE
18	0307-720	3	CAPSCREW,HH,M8x1.25x20	58	2010-868	1	WLMT,MNT,ENGINE
19	8051-242	19	WASHER,SPRING LOCK,5/16,ZN	59	8051-272	10	WASHER,SPRING LOCK,3/8,ZN
20	2010-102	1	WLMT,FILTER,AIR	60	8102-225	4	CAPSCREW,HH,3/8-16 UNCx1.5,GD8
21	8040-426	2	NUT,HEX,NYLOCK,5/16-18 UNC,ZN	61	0201-585	1	HOSE,FUEL,5/16,19"
22	8102-134	2	CAPSCREW,HH,5/16-18UNCx1.25GD8	62	0304-835	1	BULB,PRIMER
23	8050-247	2	WASHER,WROUGHT,5/16,SAE,ZN	63	2055-190	1	HOSE,BREATHER,5/16,6"
24	0300-211	4	CAPSCREW,M8 x 1.25 x 25MM LG	64	0403-642	1	PIN CLIP
25	0304-511	1	GASKET,MUFFLER	65	0304-819	1	LATCH,COVER,AIR CLEANER
26	0200-334	1	TAILPIPE,OUTLET	66	0300-211	4	CAPSCREW,M8 x 1.25 x 25MM LG
27	0300-263	1	CLAMP,MUFFLER,2"	67	0304-839	10	WASHER,SPRING LOCK,14MM
28	4010-097	1	MUFFLER	68	8102-222	8	CAPSCREW,HH,3/8-16 UNCx1.0,GD8
29	2010-117	1	BELT,FAN	69	0200-333	1	TAILPIPE,CENTER
30	2045-565	1	JOINT BALL SNAP CLIP	70	0200-335	6	SPRING,TAILPIPE
31	8040-396	1	NUT,HEX,NYLOCK,1/4-28 UNF,ZN	71	0200-332	1	TAILPIPE,W/MTG FLANGE
32	2030-313	1	UNIT SENDING ENGINE TEMP (SEE NOTE)	72	0300-980	4	WASHER,1.447 x .406 x .125
33	0304-382	2	CAPSCREW,HH 1/4-20UNCx 8.0 GR8	73	0301-083	2	PROTECTOR,POST,BATTERY
34	0304-406	1	BRKT,HOLDOWN,BATTERY				
35	8040-366	2	NUT,HEX,NYLOCK,1/4-20 UNC,ZN				
36	2010-463	1	BATTERY				
37	0090-561	1	CAPSCREW M14-1.5 X 25MM				
38	2010-206	1	WLMT BRKT THROTTLE				
39	0403-641	1	CLEVIS				
40	0300-581	1	W/NUTS,U-BOLT,1/4-20				

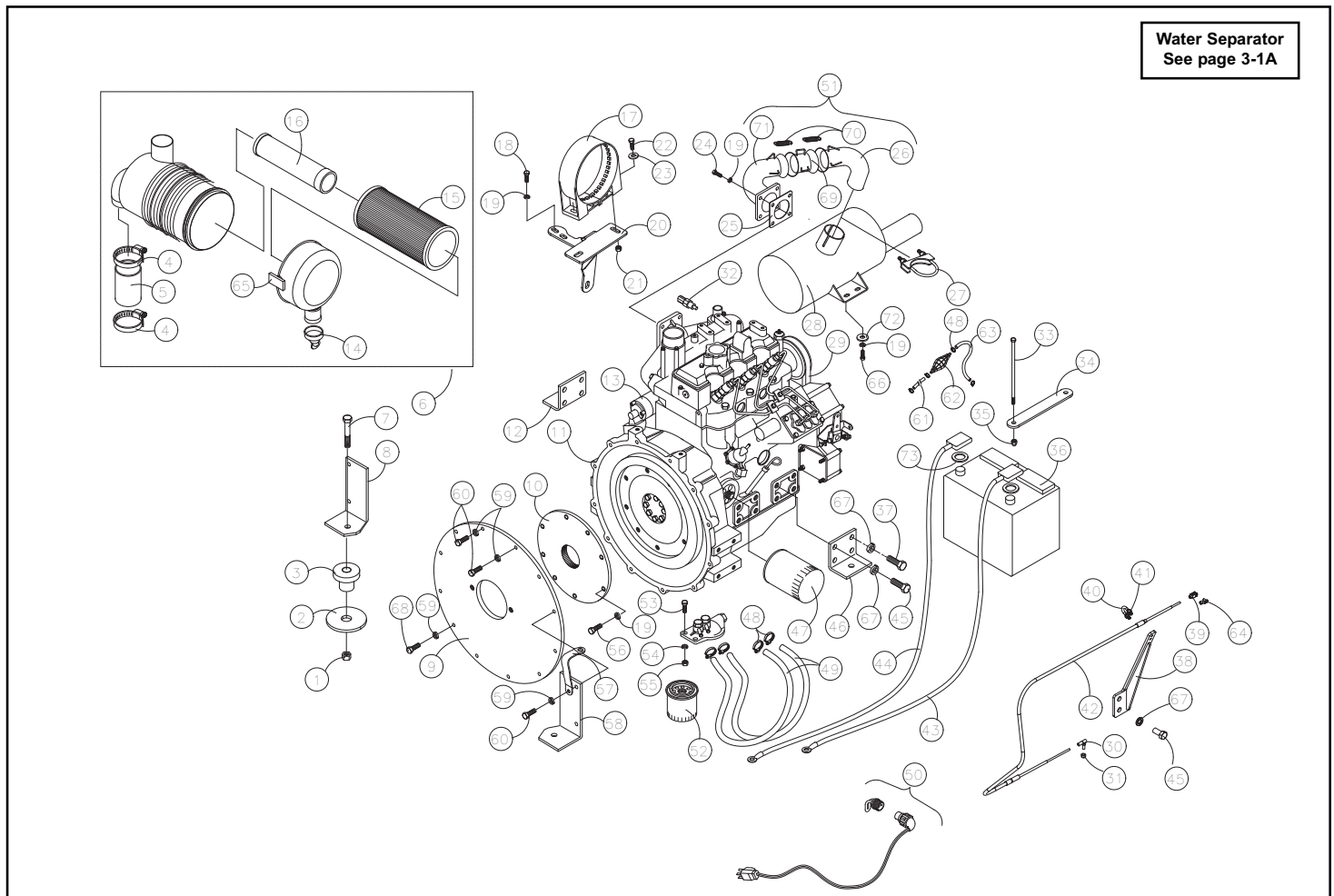


ENGINE ASSEMBLY

RT-30 valid from - 07835

Chapter 2

REF. NO.	PART NUMBER	QTY.	DESCRIPTION	REF. NO.	PART NUMBER	QTY.	DESCRIPTION
1	8040-726	4	NUT,HEX,NYLOCK,5/8-11 UNC,ZN	41	8040-366	2	NUT,HEX,NYLOCK,1/4-20 UNC,ZN
2	0090-613	4	WASHER, 2.5" OD X .64" ID X .179	42	0300-455	1	CABLE,THROTTLE
3	2011-082	4	ISOLATOR, ENGINE, 45 DURO	43	2010-461	1	CABLE,BATTERY,NEGATIVE
4	0303-238	2	CLAMP,HOSE	44	2010-462	1	CABLE,BATTERY,POSITIVE
5	0304-282	1	HOSE,INTAKE,ID2"x4"	45	0304-131	10	CAPSCREW,HH, M14-1.5 X30MM,GD8
6	0304-034	1	ASSY,AIR CLEANER,3013	46	2010-871	1	WLMT,MNT,ENGINE
7	8102-598	4	CAPSCREW,HH,5/8-11UNCx3.25,GD8	47	0200-377	1	FILTER,OIL,ENGINE
8	2013-485	1	WLMT, MNT, ENGINE, FRONT, RH	48	0315-100	4	CLAMP,HOSE,#4
9	0304-900	1	MNT,PLATE,PUMP	49	0304-509	2	HOSE,FUEL,5/16x26"
10	0304-507	1	PLATE,FLYWHEEL	50	0304-549	1	HEATER,BLOCK
11	2011-028	1	ENGINE PERKINS SERVICE REPLACEMENT	51	0200-312	1	ASSY,TAILPIPE
12	2010-870	1	WLMT,MNT,ENGINE	52	0200-213	1	FILTER,FUEL,PERKINS,404C22
13	0404-001	1	STARTER	53	0301-389	2	CAPSCREW,HH,M10 x 1.50 x 30,ZN
14	0304-503	1	VALVE,DUST	54	0301-781	2	WASHER,SPLIT LOCK,10mm,ZN
15	0304-434	1	FILTER, AIR,PRIMARY,3013	55	0301-780	2	NUT,HEX,10mm x 1.5,ZN
16	0304-435	1	FILTER, AIR,SAFETY,3013	56	8102-132	8	CAPSCREW,HH,5/16-18UNCx1.0 GD8
17	0304-038	1	BAND,MNT,AIR CLEANER	57	0300-546	1	CABLE,GROUND,ENGINE
18	0307-720	3	CAPSCREW,HH,M8x1.25x20	58	2013-483	1	WLMT, MNT, ENGINE, FRONT, LH
19	8051-242	19	WASHER,SPRING LOCK,5/16,ZN	59	8051-272	10	WASHER,SPRING LOCK,3/8,ZN
20	2010-102	1	WLMT,FILTER,AIR	60	8102-225	4	CAPSCREW,HH,3/8-16 UNCx1.5,GD8
21	8040-426	2	NUT,HEX,NYLOCK,5/16-18 UNC,ZN	61	0201-585	1	HOSE,FUEL,5/16,19"
22	8102-134	2	CAPSCREW,HH,5/16-18UNCx1.25GD8	62	0304-835	1	BULB,PRIMER
23	8050-247	2	WASHER,WROUGHT,5/16,SAE,ZN	63	2055-190	1	HOSE,BREATHER,5/16,6"
24	0300-211	4	CAPSCREW,M8 x 1.25 x 25MM LG	64	0403-642	1	PIN CLIP
25	0304-511	1	GASKET,MUFFLER	65	0304-819	1	LATCH,COVER,AIR CLEANER
26	0200-334	1	TAILPIPE,OUTLET	66	0300-211	4	CAPSCREW,M8 x 1.25 x 25MM LG
27	0300-263	1	CLAMP,MUFFLER,2"	67	0304-839	10	WASHER,SPRING LOCK,14MM
28	4010-097	1	MUFFLER	68	8102-222	8	CAPSCREW,HH,3/8-16 UNCx1.0,GD8
29	2010-117	1	BELT,FAN	69	0200-333	1	TAILPIPE,CENTER
30	2045-565	1	JOINT BALL SNAP CLIP	70	0200-335	6	SPRING,TAILPIPE
31	8040-396	1	NUT,HEX,NYLOCK,1/4-28 UNF,ZN	71	0200-332	1	TAILPIPE,W/MTG FLANGE
32	2030-313	1	UNIT SENDING ENGINE TEMP (SEE NOTE)	72	0300-980	4	WASHER,1.447 x .406 x .125
33	0304-382	2	CAPSCREW,HH 1/4-20UNCx 8.0 GR8	73	0301-083	2	PROTECTOR,POST,BATTERY
34	0304-406	1	BRKT,HOLDOWN,BATTERY				
35	8040-366	2	NUT,HEX,NYLOCK,1/4-20 UNC,ZN				
36	2010-463	1	BATTERY				
37	0090-561	1	CAPSCREW M14-1.5 X 25MM				
38	2010-206	1	WLMT BRKT THROTTLE				
39	0403-641	1	CLEVIS				
40	0300-581	1	W/NUTS,U-BOLT,1/4-20				



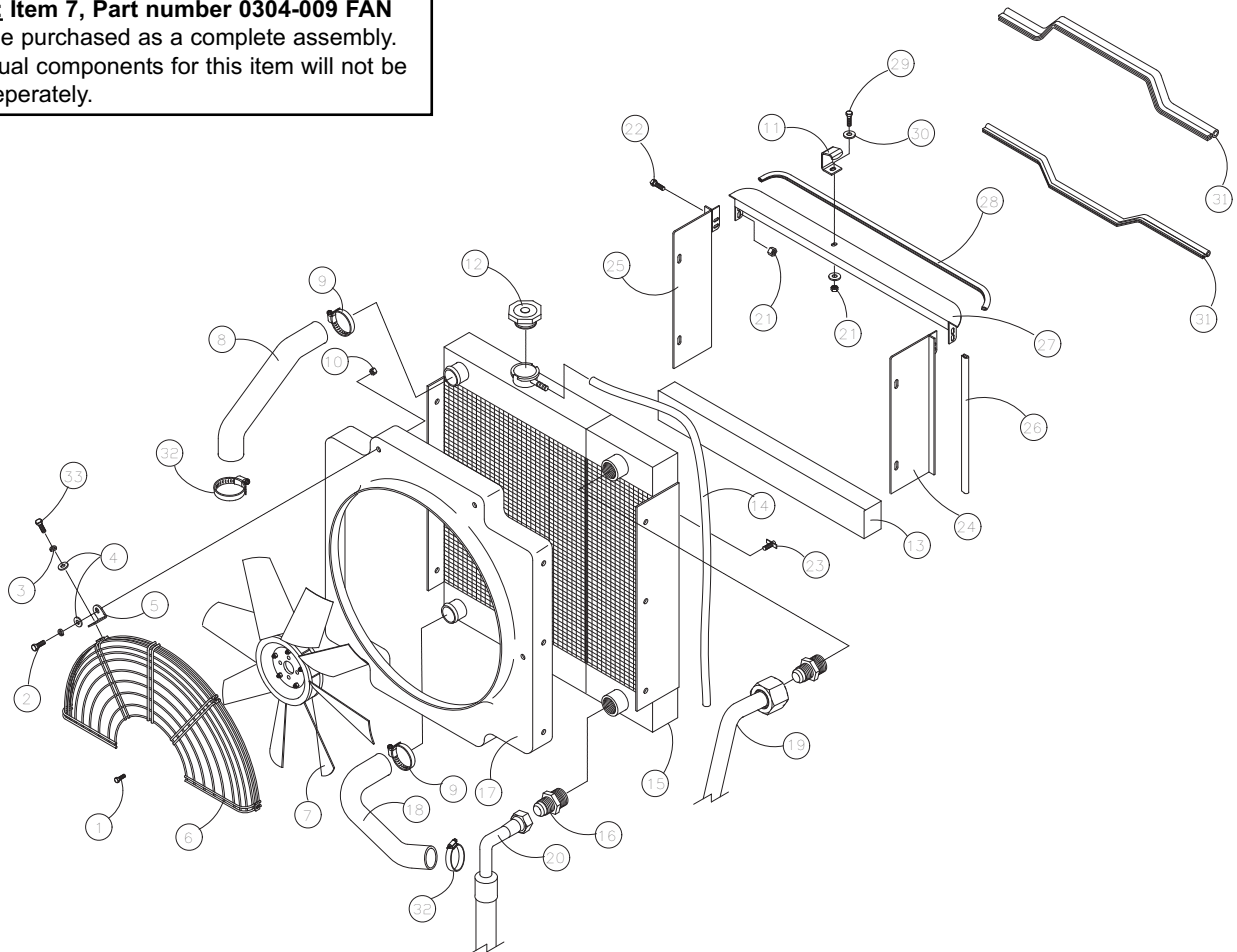
RADIATOR/OIL COOLER ASSEMBLY

RT-30 valid from - 00300
RO70T valid from - 00101

Chapter 2

REF. NO.	PART NUMBER	QTY.	DESCRIPTION	REF. NO.	PART NUMBER	QTY.	DESCRIPTION
1	0305-011	1	CAPSCREW,HH,M6x1.0x20mm,ZN				
2	8102-040	4	CAPSCREW,HH,1/4-20 UNCx.75,GD8				
3	8051-212	4	WASHER,SPRING LOCK,1/4,ZN				
4	8050-222	8	WASHER,WROUGHT,1/4,STD,ZN				
5	0304-300	4	MNT,FAN GUARD				
6	2010-674	2	GUARD FAN				
7	0304-009	1	FAN,MULTI-WING				
8	0304-035	1	HOSE,RADIATOR, TOP				
9	0303-238	2	CLAMP,HOSE				
10	8040-366	4	NUT,1/4-20UNC,NYLOK				
11	2010-194	1	BRACKET LOCK				
12	0201-884	1	CAP,RADIATOR				
13	0304-285	1	GASKET,COOLER (LOWER)				
14	0304-444	1	HOSE,7/16 x 5/16 POLY,3FT				
15	0304-014	1	ASSY,COOLER & RESERVOIR				
16	0310-313	2	ADAPTER,12MFFOR-12MB				
17	0304-032	1	SHROUD,FAN,RC-30 (BLACK)				
18	0304-036	1	HOSE,RADIATOR,BOTTOM				
19	2010-893	1	HOSE, -12, 250 PSI, FFX45-12-12, 2010-892, 21.5"				
20	2010-484	1	HOSE -8 4000PSI 12FFORX90S 12FFORX 45"				
21	8040-366	5	NUT,HEX,NYLOCK,1/4-20 UNC,ZN				
22	8102-039	4	CAPSCREW,HH,1/4-20UNCx.625,GD8				
23	0302-371	1	PETCOCK,RADIATOR				
24	0304-536	1	WLMT,SHIELD				
25	0304-538	1	WLMT,SHIELD				
26	0304-690	2	TRIM,HOOD,17.5				
27	0304-537	1	WLMT, TOP				
28	0304-692	1	TRIM,HOOD,25				
29	8102-040	1	CAPSCREW,HH,1/4-20 UNCx.75,GD8 ZN				
30	8050-222	2	WASHER,WROUGHT,1/4,STD,ZN				
31	0090-123	1	TRIM				
32	0303-240	2	CLAMP, HOSE, #16 HI TORQUE				
33	8102-038	4	CAPSCREW,HH 1/4-20UNCx7/8 GRD8				

NOTE: Item 7, Part number 0304-009 FAN must be purchased as a complete assembly. Individual components for this item will not be sold separately.



Chapter 3

Hydraulic Components

3-1 Hydraulic Reservoir

RT-30 Serial # 00300 - 07434	3-1A
R070T Serial # 00101 - 07434	3-1A
RT-30 Serial # valid from 07435.	3-1B

3-2 Lift Arm Assembly

R070T Serial # 00101- 00374	3-2A
RT-30 Serial # valid from - 00300.	3-2B
R070T Serial # valid from - 00375.	3-2B

3-3 Lift Arm Tubes and Fittings

R070T Serial # 00101 - 00374	3-3A
RT-30 Serial # 00300 - 07434	3-3B
R070T Serial # 00375 - 07434	3-3B
RT-30 Serial # valid from 07435.	3-3C

3-4 Hydraulic Control

RT-30 Serial # 00300 - 00382	3-4A
R070T Serial # 00101 - 00799	3-4A
RT-30 Serial # 00383 - 00487	3-4B
R070T Serial # 00800 - 00956	3-4B
RT-30 Serial # 00488 - 07434	3-4C
R070T Serial # 00957 - 07434	3-4C
RT-30 Serial # valid from 07435.	3-4D

3-5 Drive / Auxilliary Pump Assembly

RT-30 Serial # 00300 - 00372	3-5A
R070T Serial # 00101 - 00719	3-5A
RT-30 Serial # 00373 - 00382	3-5B
R070T Serial # 00720 - 00799	3-5B
RT-30 Serial # 00383 - 07435.	3-5C
R070T Serial # 00800 - 07435.	3-5C
RT-30 Serial # valid from 07435.	3-5D

- * **Parts manuals are updated on a regular basis. Always refer to the current online version to ensure you have the most up to date information prior to ordering parts.**

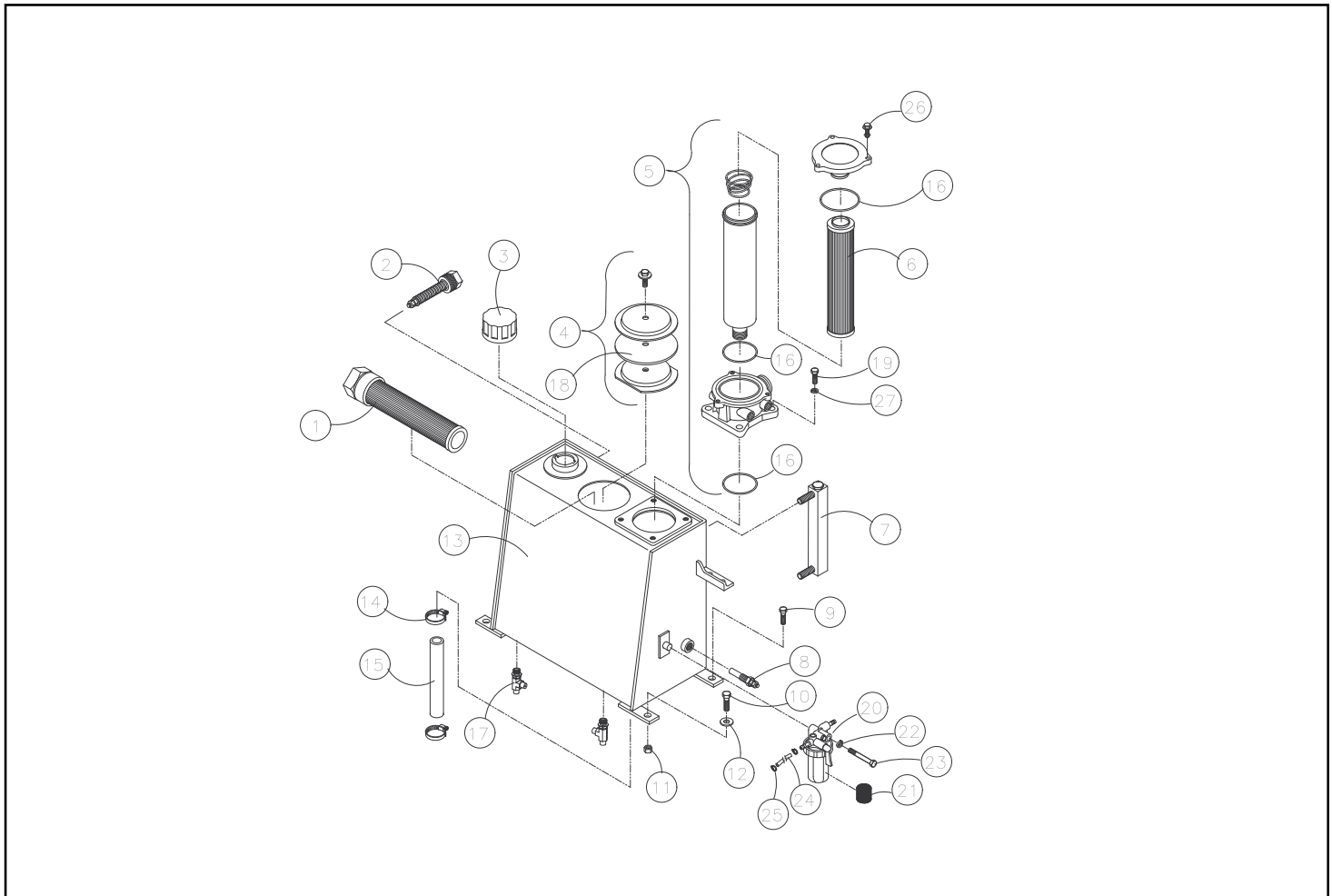
NOTE: Ordering parts that are painted requires a specific part number format. Please refer to page II of this manual for paint code and ordering information.

HYDRAULIC RESERVOIR ASSEMBLY

RT-30 00300 - 07434
RO70T 00101 - 07434

Chapter 3

REF. NO.	PART NUMBER	QTY.	DESCRIPTION	REF. NO.	PART NUMBER	QTY.	DESCRIPTION
1	0200-276	1	STRAINER,SUCTION,STEEL				
2	0304-450	1	VALVE,RELIEF,RES.				
3	2030-450	1	HYDRAULIC CAP				
4	0304-452	1	ASSY,COVER,ACCESS				
5	0200-203	1	ASSY,FILTER,HYD,4-BOLT				
6	0200-204	1	ELEMENT,FILTER,MP				
7	0304-642	1	GAUGE,SIGHT 5"				
8	0307-879	1	SWITCH,TEMP,OIL,225^ F				
9	8102-134	1	CAPSCREW,HH,5/16-18UNCx1.25GD8				
10	8102-132	3	CAPSCREW,HH,5/16-18UNCx1.0 GD8				
11	8040-426	4	NUT,HEX,NYLOCK,5/16-18 UNC,ZN				
12	8050-262	4	WASHER,WROUGHT,5/16,STD,ZN				
13	2010-504	1	RESERVOIR HYDRAULIC RT30				
14	0315-104	2	CLAMP,HOSE # 16				
15	0304-442	1	HOSE,RES.				
16	0200-325	3	O-RING,FILTER CAP				
17	0090-232	2	ADARTER TEE				
18	0200-221	1	GASKET,COVER,ACCESS				
19	8104-132	4	CAPSCREW,HH,5/16-24UNFx 1 GD 8				
20	0200-338	1	ASSY,FILTER,WATER				
21	0200-617	1	SCREEN WATER FILTER ASSY				
22	8051-242	1	WASHER,SPRING LOCK,5/16,ZN				
23	8102-137	1	CAPSCREW,HH,5/16-18UNCx2.00				
24	0304-834	1	HOSE,LINE,FUEL,9"				
25	0315-100	2	CLAMP,HOSE,#4				
26	2051-143	1	CAPSCREW,HH,M6-1x25				
27	8051-242	4	WASHER,SPRING LOCK,5/16,ZN				

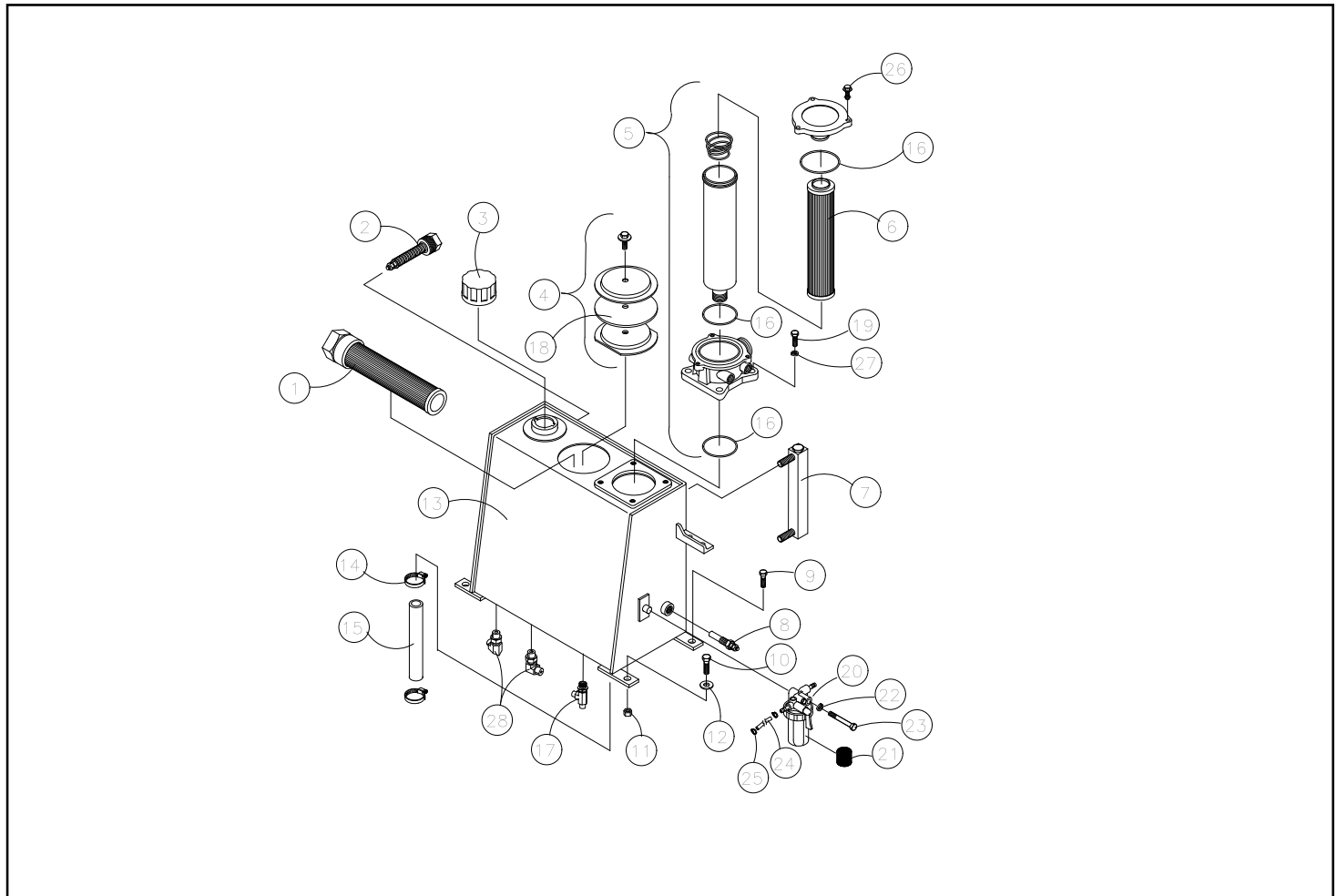


HYDRAULIC RESERVOIR ASSEMBLY

RT-30 valid from - 07435

Chapter 3

REF. NO.	PART NUMBER	QTY.	DESCRIPTION	REF. NO.	PART NUMBER	QTY.	DESCRIPTION
1	0200-276	1	STRAINER,SUCTION,STEEL				
2	0304-450	1	VALVE,RELIEF,RES.				
3	2030-450	1	HYDRAULIC CAP				
4	0304-452	1	ASSY,COVER,ACCESS				
5	0200-203	1	ASSY,FILTER,HYD,4-BOLT				
6	0200-204	1	ELEMENT,FILTER,MP				
7	0304-642	1	GAUGE,SIGHT 5"				
8	0307-879	1	SWITCH,TEMP,OIL,225^ F				
9	8102-134	1	CAPSCREW,HH,5/16-18UNCx1.25GD8				
10	8102-132	3	CAPSCREW,HH,5/16-18UNCx1.0 GD8				
11	8040-426	4	NUT,HEX,NYLOCK,5/16-18 UNC,ZN				
12	8050-262	4	WASHER,WROUGHT,5/16,STD,ZN				
13	2010-504	1	RESERVOIR HYDRAULIC RT30				
14	0315-104	2	CLAMP,HOSE # 16				
15	0304-442	1	HOSE,RES.				
16	0200-325	3	O-RING,FILTER CAP				
17	0090-232	1	ADAPTER TEE				
18	0200-221	1	GASKET,COVER,ACCESS				
19	8104-132	4	CAPSCREW,HH 5/16-24UNFx 1 GD 8				
20	0200-338	1	ASSY,FILTER,WATER				
21	0200-617	1	SCREEN WATER FILTER ASSY				
22	8051-242	1	WASHER,SPRING LOCK,5/16,ZN				
23	8102-137	1	CAPSCREW,HH,5/16-18UNCx2.00				
24	0304-834	1	HOSE,LINE,FUEL,9"				
25	0315-100	2	CLAMP,HOSE,#4				
26	2051-143	1	CAPSCREW,HH,M6-1x25				
27	8051-242	4	WASHER,SPRING LOCK,5/16,ZN				
28	0201-319	2	ADAPTER,FS6801-04-06-NW0				

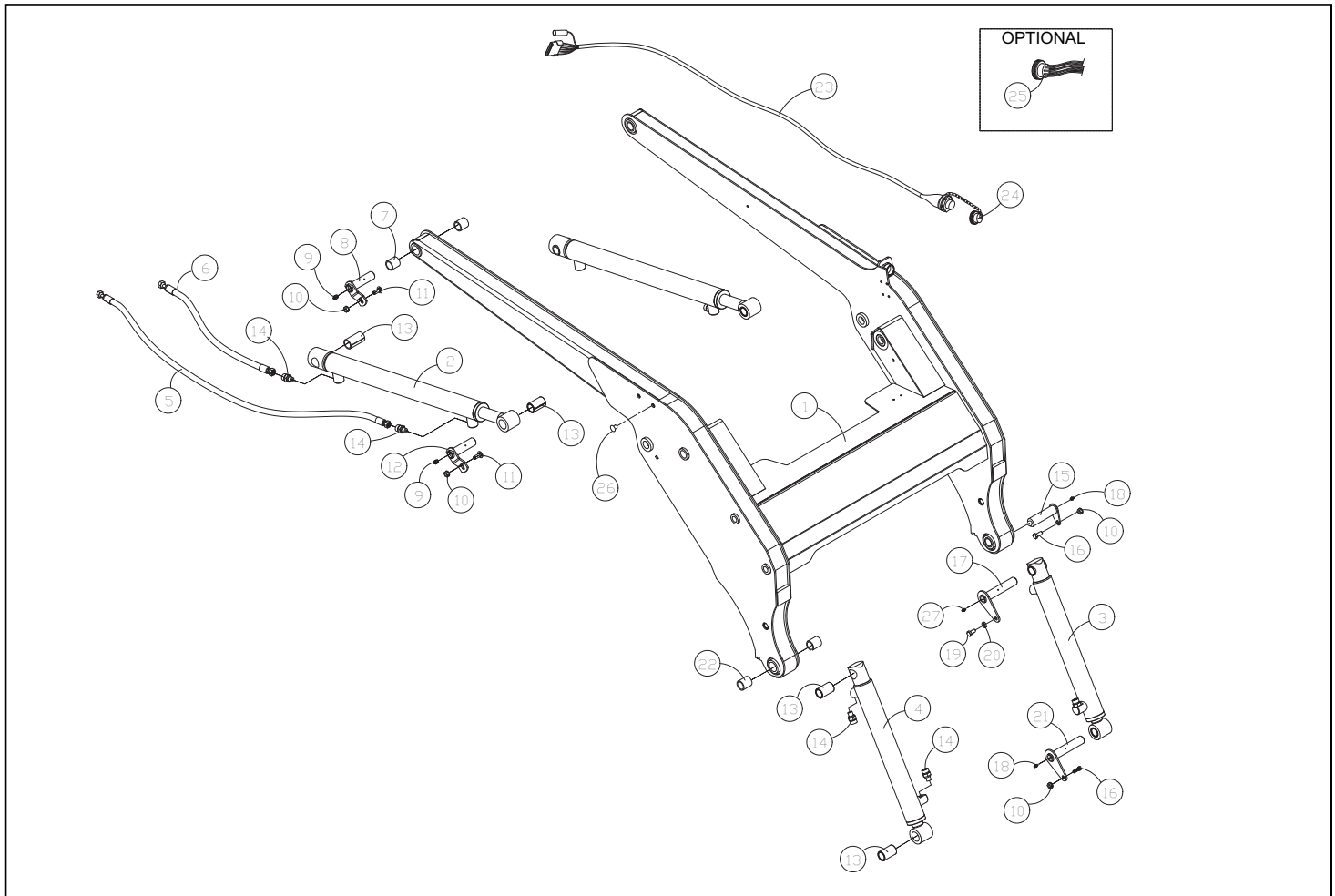


LIFT ARM ASSEMBLY

RO70T 00101 - 00374

Chapter 3

REF. NO.	PART NUMBER	QTY.	DESCRIPTION	REF. NO.	PART NUMBER	QTY.	DESCRIPTION
1	2010-300	1	WLMT LOADER				
2	2010-832	2	CYLINDER BOOM				
3	2010-828	1	CYLINDER TILT LH				
4	2010-827	1	CYLINDER TILT RH				
5	2045-495	2	HOSE,6M4K,38.5"				
6	2010-430	2	HOSE -6 4000PSI 06FFOR 06FFOR 21.5"				
7	2010-272	4	BUSHING, LOADER, TOWER				
8	2010-147	4	WLMT PIN BIG				
9	0300-946	4	FITTING,GREASE,1/8 NRT				
10	0314-269	8	NUT,FLANGE,TOPLK,3/8-16UNC,GDG,ZN				
11	8011-222	4	BOLT,CARRIAGE,3/8-16 UNCx1.0,Z				
12	0090-382	2	ZERK 1/4-28 45 DEGREE LONG				
13	2010-554	8	BUSHING,LIFT ARM/TILT CYLINDER				
14	0310-567	8	ADARTER,8MFFOR-6MB				
15	2010-285	2	PIN LOADER WLMT				
16	8011-222	4	BOLT,CARRIAGE,3/8-16 UNCx1.0,ZN				
17	2030-328	2	WLMT PIN BUCKET				
18	0300-607	4	ZERK,GREASE,1/4-28 1103K21				
19	8102-219	2	CAPSCREW,HH 3/8-16x 1/2 GD 8				
20	8051-272	2	WASHER,SPRING LOCK,3/8,ZN				
21	2010-278	2	PIN QA WLMT				
22	2010-273	4	BUSHING, LOADER, QA				
23	2010-689	1	HARNESS AUX PWR ACT				
24	0201-770	1	CAP,W/CHAIN 82-00840				
25	0201-771	1	HARNESS,ELEC,AUX,RC100/85/60				
26	0090-562	4	PLUG				

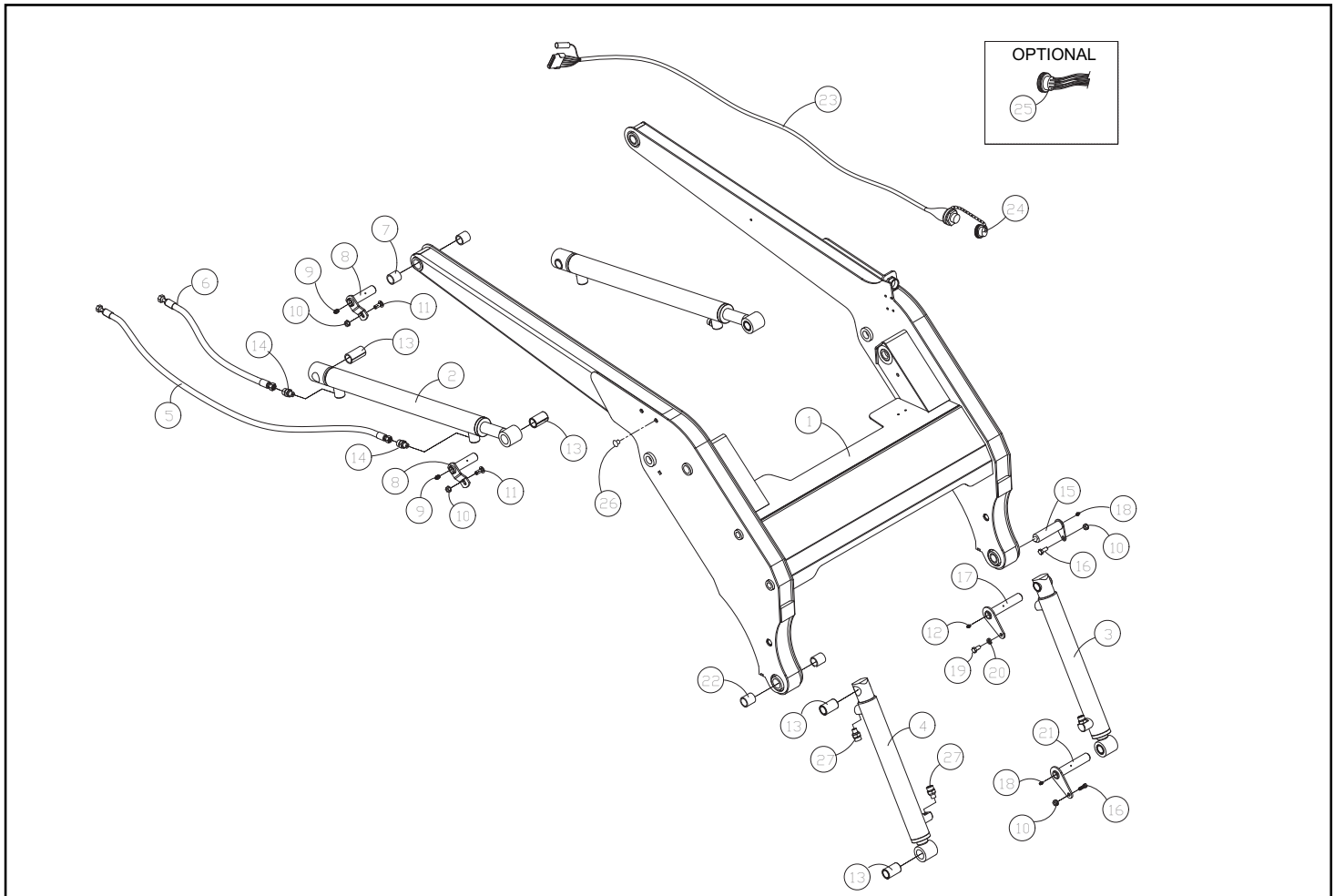


LIFT ARM ASSEMBLY

RT-30 valid from - 00300
 RO70T valid from - 00375

Chapter 3

REF. NO.	PART NUMBER	QTY.	DESCRIPTION	REF. NO.	PART NUMBER	QTY.	DESCRIPTION
1	2010-300	1	WLMT LOADER				
2	2010-832	2	CYLINDER BOOM				
3	2010-828	1	CYLINDER TILT LH				
4	2010-827	1	CYLINDER TILT RH				
5	2045-495	2	HOSE,6M4K,38.5"				
6	2010-430	2	HOSE -6 4000PSI 06FFOR 06FFOR 21.5"				
7	2010-272	4	BUSHING, LOADER, TOWER				
8	2010-147	4	WLMT PIN BIG				
9	0300-946	4	FITTING,GREASE,1/8 NRT				
10	0314-269	8	NUT,FLANGE,TOPLK,3/8-16UNC,GDG,ZN				
11	8011-222	4	BOLT,CARRIAGE,3/8-16 UNCx1.0,Z				
12	0090-382	2	ZERK 1/4-28 45 DEGREE LONG				
13	2010-554	8	BUSHING,LIFT ARM/TILT CYLINDER				
14	0310-329	4	ADAPTER,6MFFOR-6MB				
15	2010-285	2	PIN LOADER WLMT				
16	8011-222	4	BOLT,CARRIAGE,3/8-16 UNCx1.0,ZN				
17	2030-328	2	WLMT PIN BUCKET				
18	0300-607	4	ZERK,GREASE,1/4-28 1103K21				
19	8102-219	2	CAPSCREW,HH 3/8-16x 1/2 GD 8				
20	8051-272	2	WASHER,SPRING LOCK,3/8,ZN				
21	2010-278	2	PIN QA WLMT				
22	2010-273	4	BUSHING, LOADER, QA				
23	2010-689	1	HARNES AUX PWR ACT				
24	0201-770	1	CAP,W/CHAIN 82-00840				
25	0201-771	1	HARNES,ELEC,AUX,RC100/85/60				
26	0090-562	4	PLUG				
27	0315-011	4	ADAPTER, MORB, COUPLING: 3/8", CONNECTION				

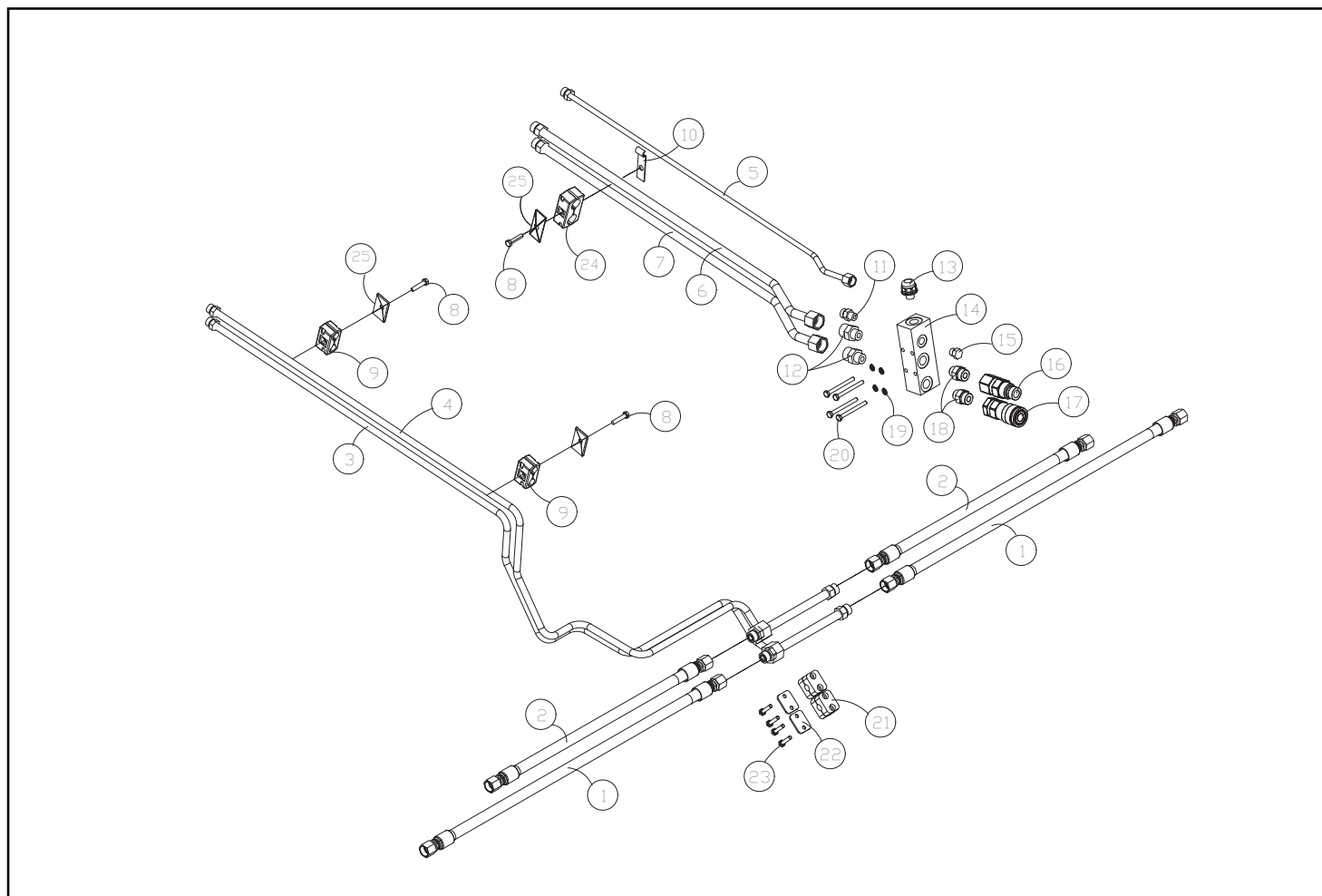


LIFT ARM TUBES AND FITTINGS

RO70T 00101 - 00374

Chapter 3

REF. NO.	PART NUMBER	QTY.	DESCRIPTION	REF. NO.	PART NUMBER	QTY.	DESCRIPTION
1	0201-488	2	HOSE,8M4K-8FFORX-8FFORX-23.5"				
2	2010-565	2	HOSE -8 4000PSI 8FFORX 8FFORX 15				
3	2010-423	1	ASSY TUBE LOADER TILT BTM A				
4	2010-422	1	ASSY TUBE LOADER TILT TOP				
5	2010-409	1	ASSY TUBE CASE DRAIN				
6	2010-410	1	ASSY TUBE AUX TOP				
7	2010-411	1	ASSY TUBE AUX BOTTOM				
8	8102-135	3	CAPSCREW,HH,5/16-18X1.50ZN,GD8				
9	0310-583	2	CLAMP,SET,T2050-PP T2050-PP				
10	0304-340	1	CLAMP,OIL LINE,LOADER RC-30 48357 H				
11	0310-329	1	ADAPTER,6MFFOR-6MB				
12	0201-658	2	ADAPTER,10MFFOR-8MB-SV				
13	0304-614	1	VALVE,RELIEF,LOW FLOW,AUX				
14	0304-876	1	MANIFOLD,AUX,HYD				
15	0304-188	1	PLUG,6 ORING,HH				
16	0310-077	1	COUPLER,QUICK,FF,MALE				
17	0310-076	1	COUPLER,QUICK,FF				
18	0200-296	2	ADAPTER,O-RING HEX NIPPLE,10-8				
19	8051-212	4	WASHER,SPRING LOCK,1/4,ZN				
20	8102-049	4	CAPSCREW,HH 1/4-20 x 2.50 GD8				
21	0201-402	2	CLAMP,SET,2050-PP				
22	0201-224	2	COVER,CLAMP,COP-2				
23	8102-044	4	CAPSCREW,HH,1/4-20UNCx1.25,GD8,ZN				
24	0310-831	1	CLAMP, SET, T2062-PP BEHRINGER				
25	0310-584	3	PLATE,COVER TCP-T2 TCP-T2				

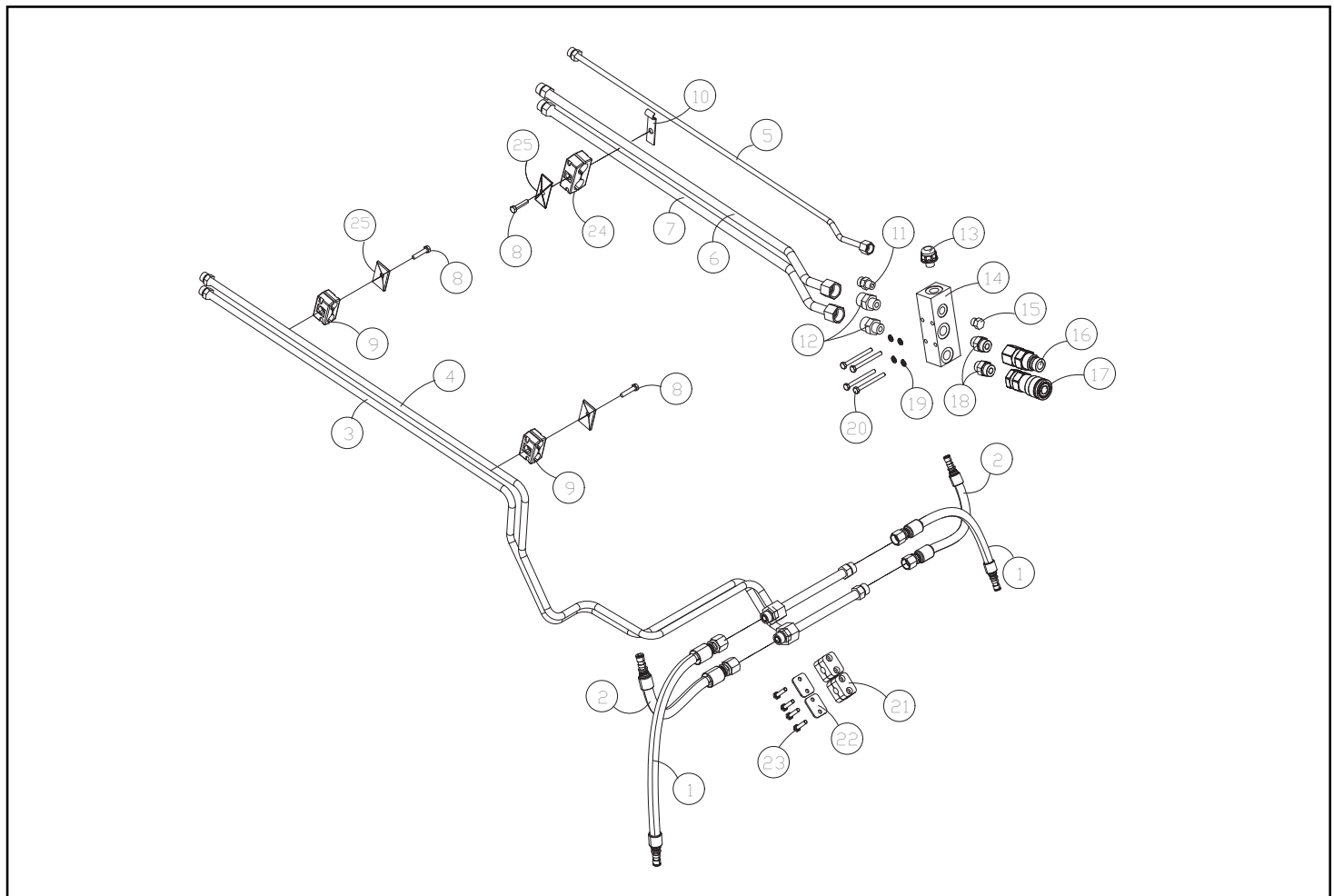


LIFT ARM TUBES AND FITTINGS

RT-30 00300 - 07434
RO70T 00375 - 07434

Chapter 3

REF. NO.	PART NUMBER	QTY.	DESCRIPTION	REF. NO.	PART NUMBER	QTY.	DESCRIPTION
1	2010-826	2	HOSE, -6, 4000 PSI, FFX-06-08-W				
2	2010-825	2	HOSE, -6, 4000 PSI, FFX-06-08-W, 0314-530, 15.89"				
3	2010-423	1	ASSY TUBE LOADER TILT BTM A				
4	2010-422	1	ASSY TUBE LOADER TILT TOP				
5	2010-409	1	ASSY TUBE CASE DRAIN				
6	2010-410	1	ASSY TUBE AUX TOP				
7	2010-411	1	ASSY TUBE AUX BOTTOM				
8	8102-135	3	CAPSCREW,HH,5/16-18X1.50ZN,GD8				
9	0310-583	2	CLAMP,SET,T2050-PP T2050-PP				
10	0304-340	1	CLAMP,OIL LINE,LOADER RC-30 48357 H				
11	0310-329	1	ADAPTER,6MFFOR-6MB				
12	0201-658	2	ADAPTER,10MFFOR-8MB-SV				
13	0304-614	1	VALVE,RELIEF,LOW FLOW,AUX				
14	0304-876	1	MANIFOLD,AUX,HYD				
15	0304-188	1	PLUG,6 ORING,HH				
16	0310-077	1	COUPLER,QUICK,FF,MALE				
17	0310-076	1	COUPLER,QUICK,FF				
18	0200-296	2	ADAPTER,O-RING HEX NIPPLE,10-8				
19	8051-212	4	WASHER,SPRING LOCK,1/4,ZN				
20	8102-049	4	CAPSCREW,HH 1/4-20 x 2.50 GD8				
21	0201-402	2	CLAMP,SET,2050-PP				
22	0201-224	2	COVER,CLAMP,COP-2				
23	8102-044	4	CAPSCREW,HH,1/4-20UNCx1.25,GD8,ZN				
24	0310-831	1	CLAMP, SET, T2062-PP BEHRINGER				
25	0310-584	3	PLATE,COVER TCP-T2 TCP-T2				

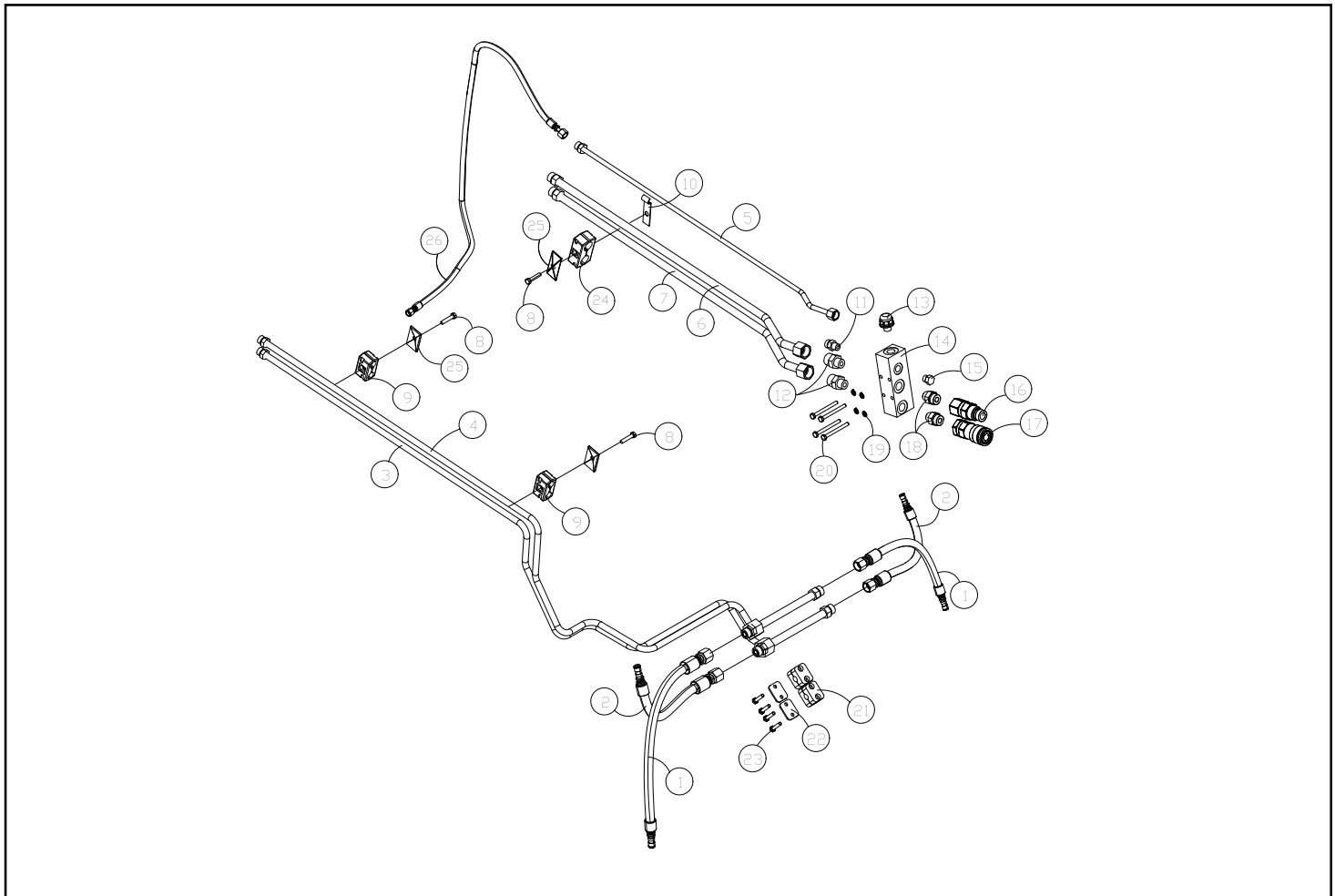


LIFT ARM TUBES AND FITTINGS

RT-30 valid from - 07435

Chapter 3

REF. NO.	PART NUMBER	QTY.	DESCRIPTION	REF. NO.	PART NUMBER	QTY.	DESCRIPTION
1	2010-826	2	HOSE, -6, 4000 PSI, FFX-06-08-W				
2	2010-825	2	HOSE, -6, 4000 PSI, FFX-06-08-W, 0314-530, 15.89"				
3	2010-423	1	ASSY TUBE LOADER TILT BTM A				
4	2010-422	1	ASSY TUBE LOADER TILT TOP				
5	2010-409	1	ASSY TUBE CASE DRAIN				
6	2010-410	1	ASSY TUBE AUX TOP				
7	2010-411	1	ASSY TUBE AUX BOTTOM				
8	8102-135	3	CAPSCREW,HH,5/16-18X1.50ZN,GD8				
9	0310-583	2	CLAMP,SET,T2050-PP T2050-PP				
10	0304-340	1	CLAMP,OIL LINE,LOADER RC-30 48357 H				
11	0310-329	1	ADAPTER,6MFFOR-6MB				
12	0201-658	2	ADAPTER,10MFFOR-8MB-SV				
13	0304-614	1	VALVE,RELIEF,LOW FLOW,AUX				
14	0304-876	1	MANIFOLD,AUX,HYD				
15	0304-188	1	PLUG,6 ORING,HH				
16	0310-077	1	COUPLER,QUICK,FF,MALE				
17	0310-076	1	COUPLER,QUICK,FF				
18	0200-296	2	ADAPTER,O-RING HEX NIPPLE,10-8				
19	8051-212	4	WASHER,SPRING LOCK,1/4,ZN				
20	8102-049	4	CAPSCREW,HH 1/4-20 x 2.50 GD8				
21	0201-402	2	CLAMP,SET,2050-PP				
22	0201-224	2	COVER,CLAMP,COP-2				
23	8102-044	4	CAPSCREW,HH,1/4-20UNCx1.25,GD8,ZN				
24	0310-831	1	CLAMP, SET, T2062-PP BEHRINGER				
25	0310-584	3	PLATE,COVER TCP-T2 TCP-T2				
26	2010-983	1	HOSE, -04, FFX-04-04, FFX-04-06, KT-04, 56.43"				

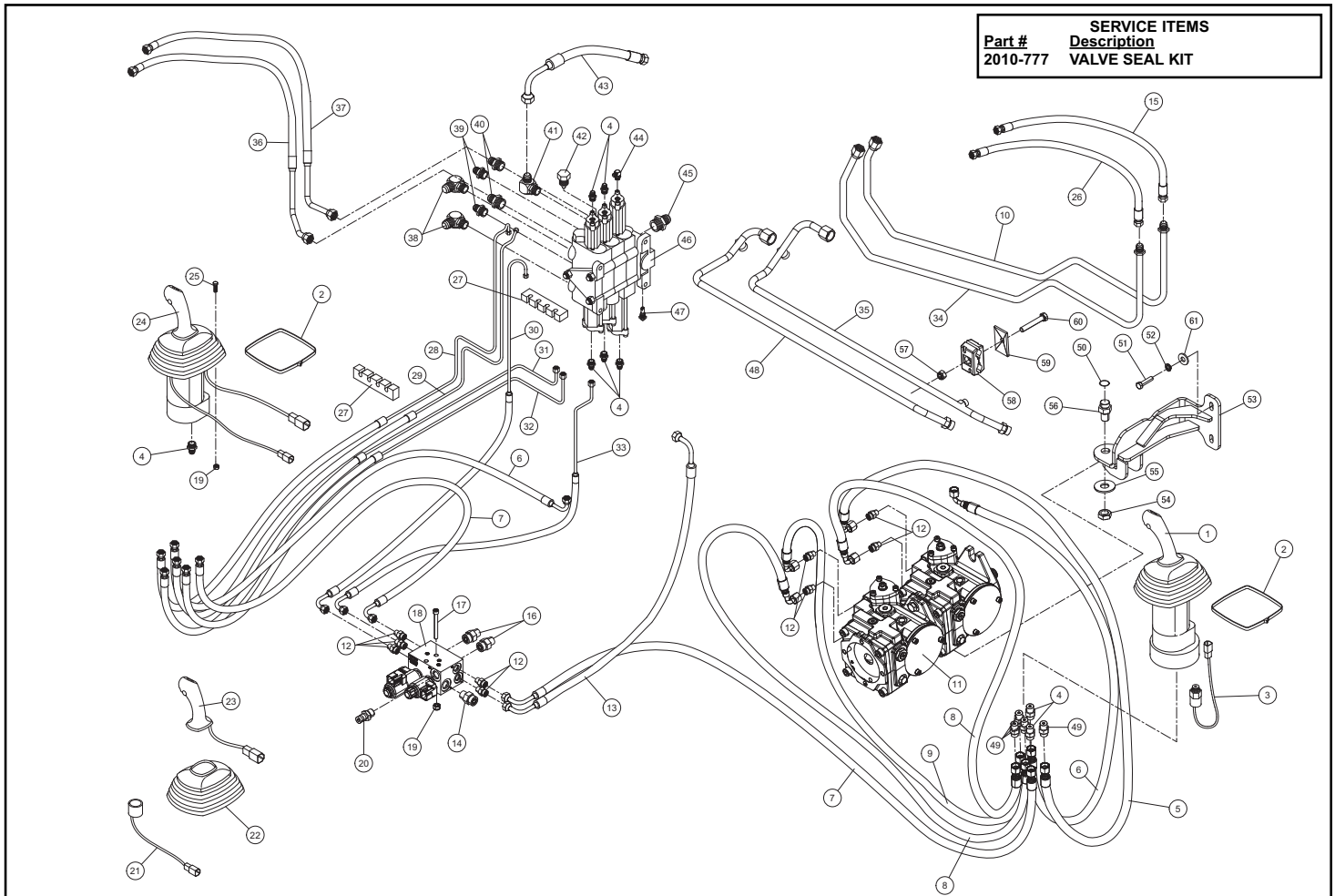


HYDRAULIC CONTROL ASSEMBLY

RT-30 00300 - 00382
RO70T 00101 - 00799

Chapter 3

REF. NO.	PART NUMBER	QTY.	DESCRIPTION	REF. NO.	PART NUMBER	QTY.	DESCRIPTION
1	2030-675	1	ASSY,JOYSTICK,LH	41	0201-668	1	ADARTER,FS6801-10-10NWO
2	0307-882	2	TIE,CABLE,BLACK,18.1",W/STL INSERT BT-5L	42	0304-842	1	VALVE,ANTI-VOID 5475
3	0304-441	1	SWITCH,PRESSURE NASON	43	2010-470	1	HOSE -8 4000PSI 8FFORXL90 8-12FFORX 13.5
4	0201-309	13	ADAPTER,FS6400-04-06-0	44	0201-319	1	ADARTER,FS6801-04-06-NWO
5	2010-708	1	HOSE, -4, 500 PSI, 4FFORX, 4FFORX90S, 49	45	0090-234	1	ADARTER 8FFOR-12MB FS6400-08-12-O
6	2030-052	2	HOSE,4G1,4FFORX90S,4FFORX,47.5	46	2010-830	1	VALVE,LOADER
7	2010-488	2	HOSE -4 4000PSI 4FFORX 4FFORX90L 62"	47	2030-640	1	VALVE RELIEF 3000 PSI
8	2010-707	2	HOSE, -4, 500 PSI, 4FFORX, 4FFORX90S, 55	48	2010-419	1	ASSY TUBE BOOM BTM
9	2010-709	1	HOSE, -4, 500 PSI, 4FFORX, 4FFORX90S, 52	49	0201-309	4	ADAPTER,FS6400-04-06-0
10	2010-468	1	TUBE AUX BTM	50	0090-538	1	O-RING 116 BUNA-N 90 DURO
11	SEE NOTE		(ITEM 27 PAGE 3-5A / 3-5B)	51	8102-225	2	CAPSCREW,HH,3/8-16 UNCx1.5,GD8,ZN
12	0201-311	9	ADARTER,FS6400-04-04-0	52	8051-272	2	WASHER,SPRING LOCK,3/8,ZN
13	2030-036	1	HOSE,4G1,4FFORX90M,6FFORX,36.0	53	2013-436	1	BRACE PUMP
14	0310-329	1	ADARTER,6MFFOR-6MB	54	0304-722	1	NUT,HEX,JAM,LOCKING,3/4-10UNC THIN
15	2010-486	1	HOSE -8 4000PSI 8FFORX 8FFORX 28	55	8050-436	1	WASHER,WROUGHT,3/4,STD,ZN
16	0201-309	2	ADARTER,FS6400-04-06-0	56	2013-308	1	STUD PLUG
17	8005-498	2	CAPSCREW,SOC HD,1/4-20UNCx2.25	57	8040-426	2	NUT,HEX,NYLOCK,5/16-18 UNC,ZN
18	2010-638	1	PILOT GEN BLOCK #6 BRAKE PORTS	58	0310-583	2	CLAMP,SET,T2050-PP T2050-PP
19	8040-366	10	NUT,HEX,NYLOCK,1/4-20 UNC,ZN	59	0310-584	2	PLATE,COVER TCP-T2 TCP-T2
20	0314-043	1	COUPLING,PORT,TEST,MALE,#6SAE-M 6V3965	60	8102-137	2	CAPSCREW,HH,5/16-18UNCx2.0 GD8 ZN
21	0304-516	1	MAGNET,DETENT	61	8050-262	2	WASHER,WROUGHT,5/16,STD,ZN
22	0201-775	2	BOOT,JOYSTICK,RH				
23	0201-152	2	GRIP,CONTROL				
24	2030-661	1	ASSY,JOYSTICK,RH				
25	8102-040	8	CAPSCREW,HH,1/4-20 UNCx.75,GD8 ZN				
26	2010-485	1	HOSE -8 4000PSI 8FFORX 8FFORX 26				
27	0304-395	2	CLAMP,PILOT LINES				
28	2030-059	1	ASSY,LINE,CONTROL,DUMP,BUCKET				
29	2030-062	1	ASSY,LINE,CONTROL,UP,LOADER				
30	2030-067	1	ASSY,LINE,CONTROL, TOP,AUX				
31	2030-057	1	ASSY,LINE,CONTROL,DOWN,LOADER				
32	2030-055	1	ASSY,LINE,CONTROL,CURL,BUCKET				
33	2030-064	1	ASSY,LINE,CONTROL,BOTTOM,AUX.				
34	2010-469	1	TUBE AUX TOP				
35	2010-418	1	ASSY TUBE BOOM TOP				
36	2010-405	1	ASSY TUBE TILT BTM				
37	2010-404	1	ASSY TUBE TILT TOP				
38	0310-330	2	ADARTER,10MFFOR-8MB-90				
39	0310-345	2	ADARTER,8MFFOR--8MB				
40	0310-394	2	TUBE,HYD,FILTER,LF				

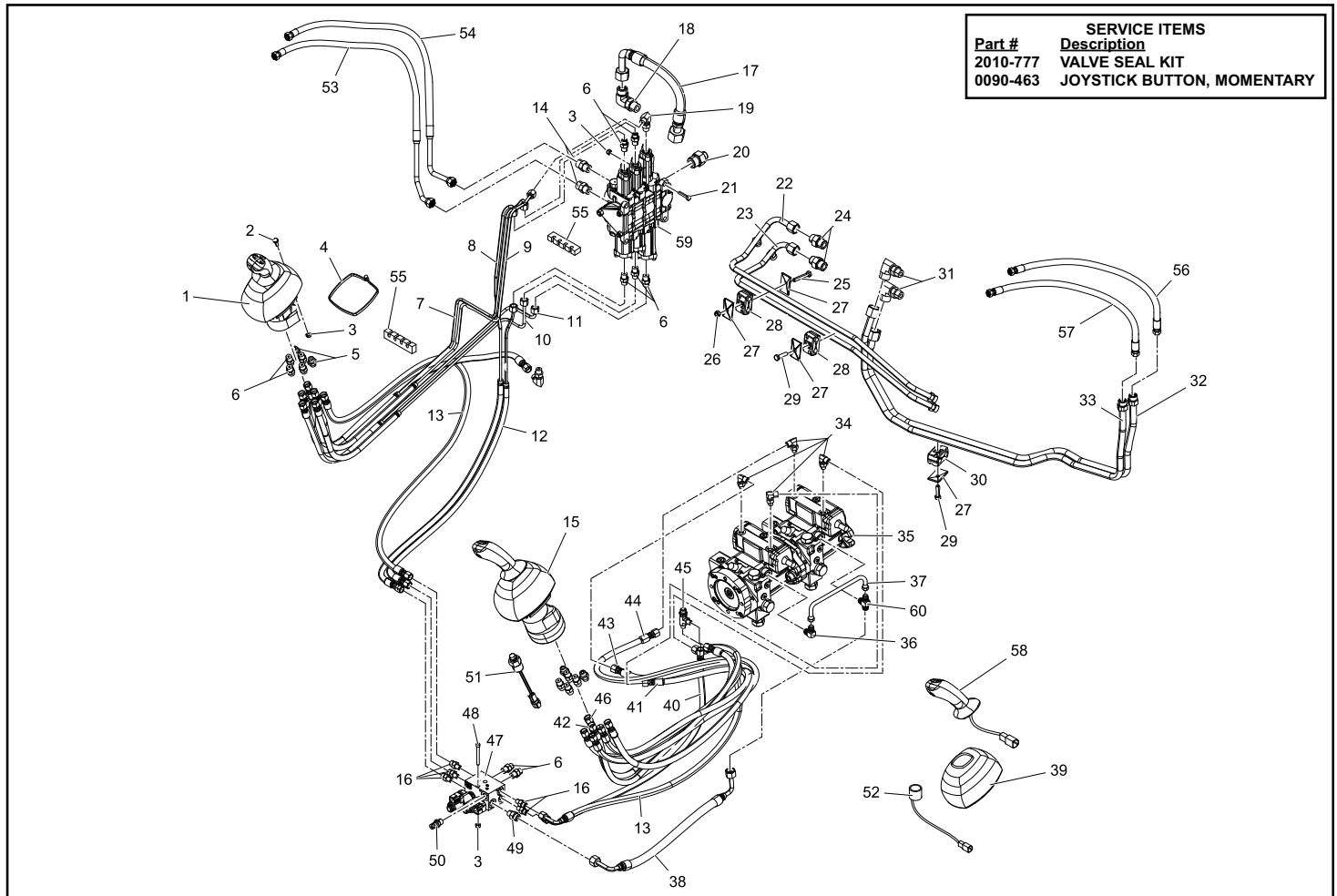


HYDRAULIC CONTROL ASSEMBLY

RT-30 00383 - 00487
RO70T 00800 - 00956

Chapter 3

REF. NO.	PART NUMBER	QTY.	DESCRIPTION	REF. NO.	PART NUMBER	QTY.	DESCRIPTION
1	2030-661	1	ASSY JOYSTICK RH	41	2010-907	1	HOSE, -4, 1000 PSI, 4FFORX, 4FFORX, 37.5
2	8102-040	8	CAPSCREW,HH,1/4-20 UNCx.75,GD8 ZN	42	2030-052	1	HOSE,4G1,4FFORX90S,4FFORX,47.5
3	8040-366	14	NUT,HEX,NYLOCK,1/4-20 UNC,ZN	43	2010-905	1	HOSE, -4, 1000 PSI, 4FFORX, 4FFORX, 40.5"
4	0307-882	2	TIE,CABLE,BLACK,18.1",W/STL INSERT BT-5LH-LO	44	2010-904	1	HOSE, -4, 1000 PSI, 4FFORX, 4FFORX, 54.58"
5	2010-734	4	ADAPTER ORIFICE .040" FS6400-04-06	45	0090-232	1	ADAPTER TEE 4FFOR 6MB 4FFOR FS6804-04-06-04 NWO
6	0201-309	15	ADAPTER,FS6400-04-06-0	46	2010-906	1	HOSE, -4, 1000 PSI, 4FFORX, 4FFORX, 34"
7	2030-059	1	ASSY,LINE,CONTROL,DUMP,BUCKET	47	2010-638	1	PILOT GEN BLOCK #6 BRAKE PORTS
8	2030-067	1	ASSY,LINE,CONTROL, TOP,AUX	48	8005-498	2	CAPSCREW,SOC HD,1/4-20UNCx2.25
9	2030-062	1	ASSY,LINE,CONTROL,UP,LOADER	49	0310-329	1	ADAPTER,6MFFOR-6MB
10	2030-055	1	ASSY,LINE,CONTROL,CURL,BUCKET	50	0314-043	1	COUPLING,PORT,TEST,MALE,#6SAE-M 6V3965
11	2030-057	1	ASSY,LINE,CONTROL,DOWN,LOADER	51	0304-441	1	SWITCH,PRESSURE NASON
12	2030-064	1	ASSY,LINE,CONTROL,BOTTOM,AUX.	52	0304-516	1	MAGNET,DETENT
13	2010-488	2	HOSE -4 4000PSI 4FFORX 4FFORX90L 62"	53	2010-405	1	ASSY TUBE TILT BTM
14	0310-345	2	ADAPTER,8MFFOR--8MB	54	2010-404	1	ASSY TUBE TILT TOP
15	2030-675	1	ASSY JOYSTICK LH	55	0304-395	2	CLAMP,PILOT LINES
16	0201-311	5	ADAPTER,FS6400-04-04-0	56	2010-486	1	HOSE -8 4000PSI 8FFORX 8FFORX 28
17	2010-470	1	HOSE -8 4000PSI 8FFORXL90 8-12FFORX 13.5	57	2010-485	1	HOSE -8 4000PSI 8FFORX 8FFORX 26
18	0201-668	1	ADAPTER,FS6801-10-10NWO	58	0201-152	1	GRIP,CONTROL
19	0201-319	1	ADAPTER,FS6801-04-06-NWO	59	2010-830	1	VALVE,LOADER
20	0090-234	1	ADAPTER 8FFOR-12MB FS6400-08-12-O	60	0201-542	1	ADAPTER,TEE,6FS-6FS-6NWO
21	8102-044	4	CAPSCREW,HH,1/4-20UNCx1.25,GD8,ZN				
22	2010-418	1	ASSY TUBE BOOM TOP				
23	2010-419	1	ASSY TUBE BOOM BTM				
24	0310-934	2	ADAPTER,8MFFOR-10MB,8-10 F5OLO-S				
25	8102-137	1	CAPSCREW,HH,5/16-18UNCx2.0 GD8 ZN				
26	8040-426	2	NUT,HEX,NYLOCK,5/16-18 UNC,ZN				
27	0310-584	4	PLATE,COVER TCP-T2 TCP-T2				
28	0310-583	2	CLAMP,SET,T2050-PP T2050-PP				
29	8102-134	2	CAPSCREW,HH,5/16-18UNCx1.25GD8 ZN				
30	0310-831	1	CLAMP, SET, T2062-PP BEHRINGER				
31	0310-330	2	ADAPTER,10MFFOR-8MB-90 10-8C5OLO-S				
32	2010-468	1	TUBE AUX BTM				
33	2010-469	1	TUBE AUX TOP				
34	0201-314	4	ADAPTER,FS6801-04-04-NWO				
35	2010-895	1	PUMP, TANDEM 18cc				
36	0310-328	1	ADAPTER,6MFFOR-6MB-90				
37	2010-471	1	TUBE, MANIFOLD, CHARGE				
38	2010-928	1	HOSE, -6, 1000 PSI, FFX-06-06, FFX90L-06-06				
39	0201-775	1	BOOT,JOYSTICK,RH				
40	2010-986	1	HOSE, -04, FFX-04-04, FFX90M-04-04, R1S-04, 30,15"				

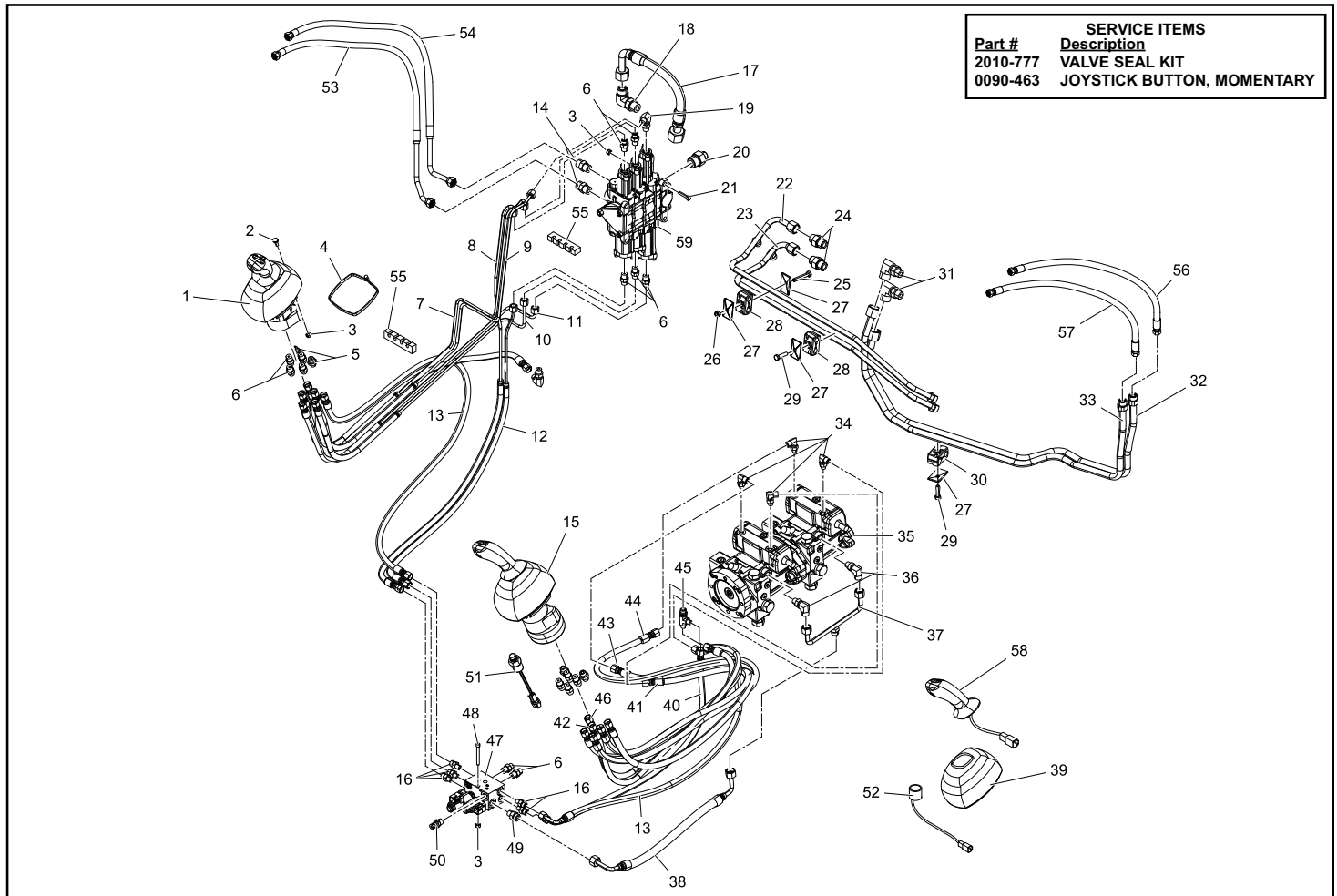


HYDRAULIC CONTROL ASSEMBLY

RT-30 00488 - 07434
RO70T 00957 - 07434

Chapter 3

REF. NO.	PART NUMBER	QTY.	DESCRIPTION	REF. NO.	PART NUMBER	QTY.	DESCRIPTION
1	2030-661	1	ASSY JOYSTICK RH	41	2010-907	1	HOSE, -4, 1000 PSI, 4FFORX, 4FFORX, 37.5
2	8102-040	8	CAPSCREW,HH,1/4-20 UNCx.75,GD8 ZN	42	2030-052	1	HOSE,4G1,4FFORX90S,4FFORX,47.5
3	8040-366	14	NUT,HEX,NYLOCK,1/4-20 UNC,ZN	43	2010-905	1	HOSE, -4, 1000 PSI, 4FFORX, 4FFORX, 40.5"
4	0307-882	2	TIE,CABLE,BLACK,18.1",W/STL INSERT BT-5LH-LO	44	2010-904	1	HOSE, -4, 1000 PSI, 4FFORX, 4FFORX, 54.58"
5	2010-734	4	ADAPTER ORIFICE .040" FS6400-04-06	45	0090-232	1	ADAPTER TEE 4FFOR 6MB 4FFOR FS6804-04-06-04 NWO
6	0201-309	15	ADAPTER,FS6400-04-06-0	46	2010-906	1	HOSE, -4, 1000 PSI, 4FFORX, 4FFORX, 34"
7	2030-059	1	ASSY,LINE,CONTROL,DUMP,BUCKET	47	2010-638	1	PILOT GEN BLOCK #6 BRAKE PORTS
8	2030-067	1	ASSY,LINE,CONTROL, TOP,AUX	48	8005-498	2	CAPSCREW,SOC HD,1/4-20UNCx2.25
9	2030-062	1	ASSY,LINE,CONTROL,UP,LOADER	49	0310-329	1	ADAPTER,6MFFOR-6MB
10	2030-055	1	ASSY,LINE,CONTROL,CURL,BUCKET	50	0314-043	1	COUPLING,PORT,TEST,MALE,#6SAE-M 6V3965
11	2030-057	1	ASSY,LINE,CONTROL,DOWN,LOADER	51	0304-441	1	SWITCH,PRESSURE NASON
12	2030-064	1	ASSY,LINE,CONTROL,BOTTOM,AUX.	52	0304-516	1	MAGNET,DETENT
13	2010-488	2	HOSE -4 4000PSI 4FFORX 4FFORX90L 62"	53	2010-405	1	ASSY TUBE TILT BTM
14	0310-345	2	ADAPTER,8MFFOR--8MB	54	2010-404	1	ASSY TUBE TILT TOP
15	2030-675	1	ASSY JOYSTICK LH	55	0304-395	2	CLAMP,PILOT LINES
16	0201-311	5	ADAPTER,FS6400-04-04-0	56	2010-486	1	HOSE -8 4000PSI 8FFORX 8FFORX 28
17	2010-470	1	HOSE -8 4000PSI 8FFORXL90 8-12FFORX 13.5	57	2010-485	1	HOSE -8 4000PSI 8FFORX 8FFORX 26
18	0201-668	1	ADAPTER,FS6801-10-10NWO	58	0201-152	1	GRIP,CONTROL
19	0201-319	1	ADAPTER,FS6801-04-06-NWO	59	2010-830	1	VALVE,LOADER
20	0090-234	1	ADAPTER 8FFOR-12MB FS6400-08-12-0				
21	8102-044	4	CAPSCREW,HH,1/4-20UNCx1.25,GD8,ZN				
22	2010-418	1	ASSY TUBE BOOM TOP				
23	2010-419	1	ASSY TUBE BOOM BTM				
24	0310-934	2	ADAPTER,8MFFOR-10MB,8-10 F5OLO-S				
25	8102-137	1	CAPSCREW,HH,5/16-18UNCx2.0 GD8 ZN				
26	8040-426	1	NUT,HEX,NYLOCK,5/16-18 UNC,ZN				
27	0310-584	4	PLATE,COVER TCP-T2 TCP-T2				
28	0310-583	2	CLAMP,SET,T2050-PP T2050-PP				
29	8102-134	2	CAPSCREW,HH,5/16-18UNCx1.25GD8 ZN				
30	0310-831	1	CLAMP, SET, T2062-PP BEHRINGER				
31	0310-330	2	ADAPTER,10MFFOR-8MB-90 10-8C5OLO-S				
32	2010-468	1	TUBE AUX BTM				
33	2010-469	1	TUBE AUX TOP				
34	0201-314	4	ADAPTER,FS6801-04-04-NWO				
35	2010-895	1	PUMP, TANDEM 18cc				
36	0310-328	2	ADAPTER,6MFFOR-6MB-90				
37	2010-929	1	TUBE, MANIFOLD, CHARGE W/ SADDLE				
38	2010-930	1	HOSE, -06, 1000 PSI, FFX90L-06-06, FFX90L-06-06, 90°				
39	0201-775	1	BOOT,JOYSTICK,RH				
40	2010-986	1	HOSE, -04, FFX-04-04, FFX90M-04-04, R1S-04, 30,15"				

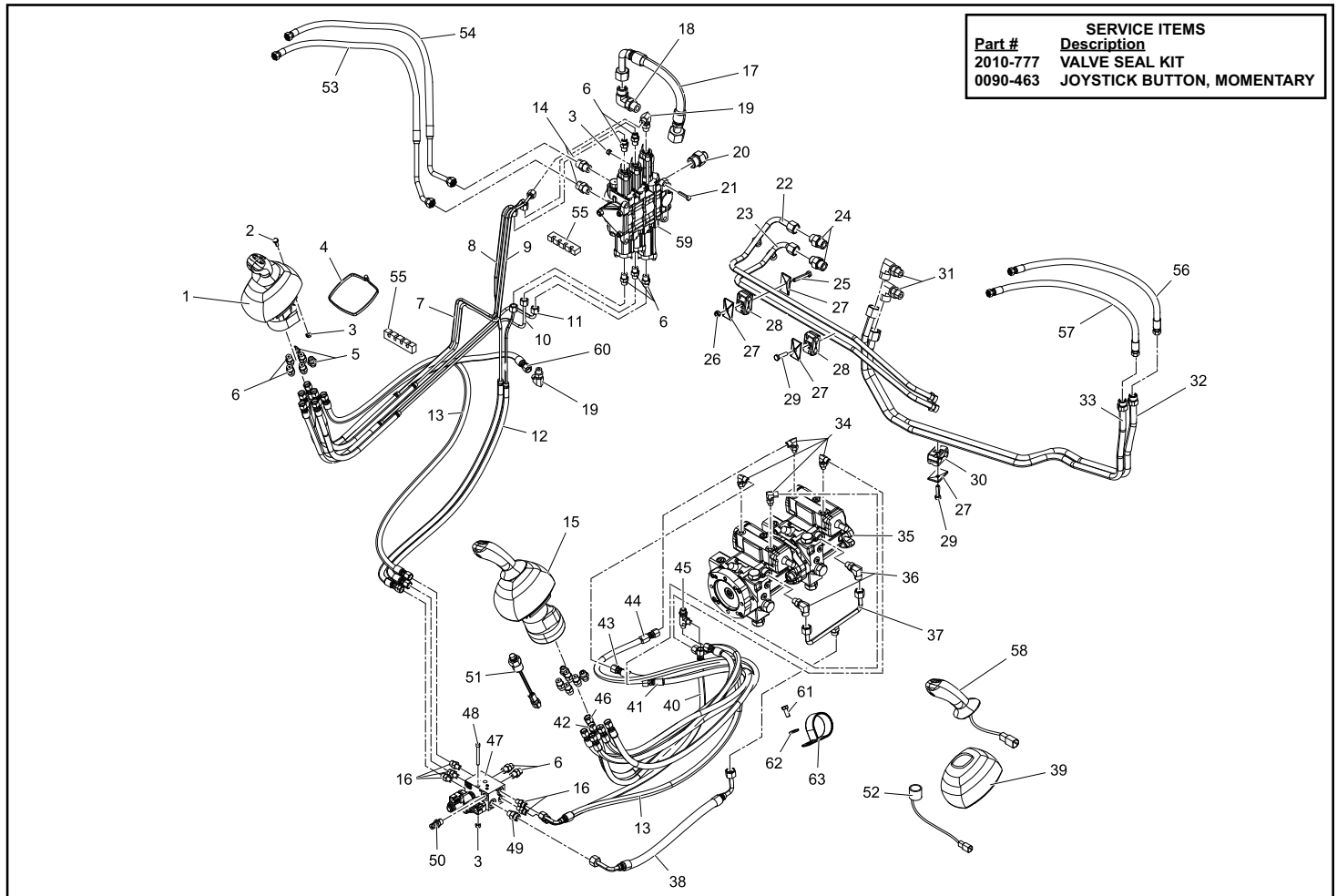


HYDRAULIC CONTROL ASSEMBLY

RT-30 valid from - 07435

Chapter 3

REF. NO.	PART NUMBER	QTY.	DESCRIPTION	REF. NO.	PART NUMBER	QTY.	DESCRIPTION
1	2030-661	1	ASSY JOYSTICK RH	41	2010-907	1	HOSE, -4, 1000 PSI, 4FFORX, 4FFORX, 37.5
2	8102-040	8	CAPSCREW,HH,1/4-20 UNCx.75,GD8 ZN	42	2010-987	1	HOSE, -04, FFX-04-04, FFX45-04-04, R1S-04, 37.25"
3	8040-366	14	NUT,HEX,NYLOCK,1/4-20 UNC,ZN	43	2010-905	1	HOSE, -4, 1000 PSI, 4FFORX, 4FFORX, 40.5"
4	0307-882	2	TIE,CABLE,BLACK,18.1",W/STL INSERT BT-5LH-LO	44	2010-904	1	HOSE, -4, 1000 PSI, 4FFORX, 4FFORX, 54.58"
5	2010-734	4	ADAPTER ORIFICE .040" FS6400-04-06	45	0090-232	1	ADAPTER TEE 4FFOR 6MB 4FFOR FS6804-04-06-04 NWO
6	0201-309	15	ADAPTER,FS6400-04-06-0	46	2010-985	1	HOSE, -04, FFX-04-04, FFX-04-04, R1S-04, 33.5"
7	2030-059	1	ASSY,LINE,CONTROL,DUMP,BUCKET	47	2010-638	1	PILOT GEN BLOCK #6 BRAKE PORTS
8	2030-067	1	ASSY,LINE,CONTROL, TOP,AUX	48	8005-498	2	CAPSCREW,SOC HD,1/4-20UNCx2.25
9	2030-062	1	ASSY,LINE,CONTROL,UP,LOADER	49	0310-329	1	ADAPTER,6MFFOR-6MB
10	2030-055	1	ASSY,LINE,CONTROL,CURL,BUCKET	50	0314-043	1	COUPLING,PORT,TEST,MALE,#6SAE-M 6V3965
11	2030-057	1	ASSY,LINE,CONTROL,DOWN,LOADER	51	0304-441	1	SWITCH,PRESSURE NASON
12	2030-064	1	ASSY,LINE,CONTROL,BOTTOM,AUX.	52	0304-516	1	MAGNET,DETENT
13	2010-488	2	HOSE -4 4000PSI 4FFORX 4FFORX90L 62"	53	2010-405	1	ASSY TUBE TILT BTM
14	0310-345	2	ADAPTER,8MFFOR--8MB	54	2010-404	1	ASSY TUBE TILT TOP
15	2030-675	1	ASSY JOYSTICK LH	55	0304-395	2	CLAMP,PILOT LINES
16	0201-311	5	ADAPTER,FS6400-04-04-0	56	2010-486	1	HOSE -8 4000PSI 8FFORX 8FFORX 28
17	2010-470	1	HOSE -8 4000PSI 8FFORXL90 8-12FFORX 13.5	57	2010-485	1	HOSE -8 4000PSI 8FFORX 8FFORX 26
18	0201-668	1	ADAPTER,FS6801-10-10NWO	58	0201-152	1	GRIP,CONTROL
19	0201-319	1	ADAPTER,FS6801-04-06-NWO	59	2010-830	1	VALVE,LOADER
20	0090-234	1	ADAPTER 8FFOR-12MB FS6400-08-12-O	60	2010-984	1	HOSE, -04, FFX-04-04, FFX-04-04, R1S-04, 38.375"
21	8102-044	4	CAPSCREW,HH,1/4-20UNCx1.25,GD8,ZN	61	8102-130	1	CAPSCREW,HH 5/16-18x3/4,GR8
22	2010-418	1	ASSY TUBE BOOM TOP	62	8050-262	1	WASHER,WROUGHT,5/16,STD,ZN
23	2010-419	1	ASSY TUBE BOOM BTM	63	2046-070	1	CLAMP P 2"
24	0310-934	2	ADAPTER,8MFFOR-10MB,8-10 F5OLO-S				
25	8102-137	1	CAPSCREW,HH,5/16-18UNCx2.0 GD8 ZN				
26	8040-426	1	NUT,HEX,NYLOCK,5/16-18 UNC,ZN				
27	0310-584	4	PLATE,COVER TCP-T2 TCP-T2				
28	0310-583	2	CLAMP,SET,T2050-PP T2050-PP				
29	8102-134	2	CAPSCREW,HH,5/16-18UNCx1.25GD8 ZN				
30	0310-831	1	CLAMP, SET, T2062-PP BEHRINGER				
31	0310-330	2	ADAPTER,10MFFOR-8MB-90 10-8C5OLO-S				
32	2010-468	1	TUBE AUX BTM				
33	2010-469	1	TUBE AUX TOP				
34	0201-314	4	ADAPTER,FS6801-04-04-NWO				
35	2010-895	1	PUMP, TANDEM 18cc				
36	0310-328	2	ADAPTER,6MFFOR-6MB-90				
37	2010-929	1	TUBE, MANIFOLD, CHARGE W/ SADDLE				
38	2010-930	1	HOSE, -06, 1000 PSI, FFX90L-06-06, FFX90L-06-06, 90°				
39	0201-775	1	BOOT,JOYSTICK,RH				
40	2010-986	1	HOSE, -04, FFX-04-04, FFX90M-04-04, R1S-04, 30.15"				



DRIVE/AUXILIARY PUMP ASSEMBLY

RT-30 00300 - 00372
RO70T 00101 - 00719

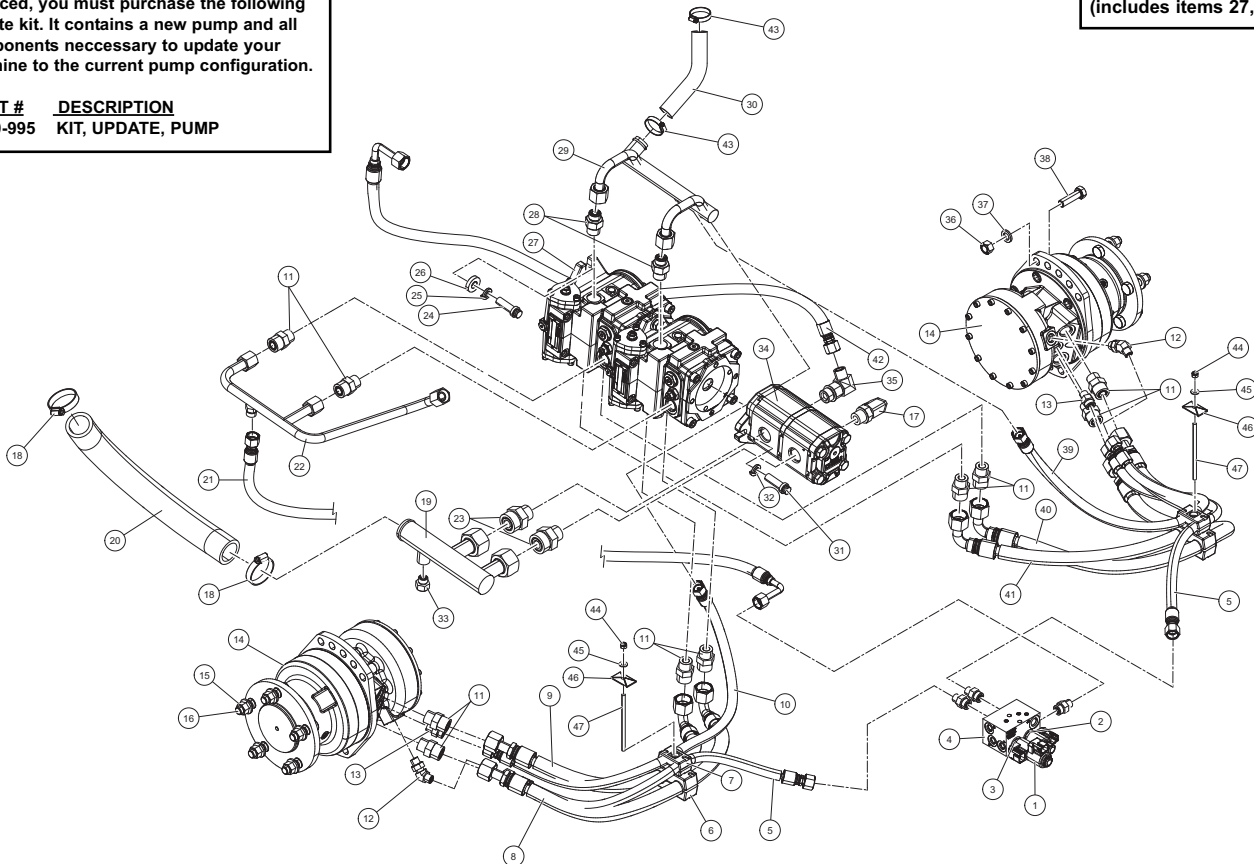
Chapter 3

REF. NO.	PART NUMBER	QTY.	DESCRIPTION	REF. NO.	PART NUMBER	QTY.	DESCRIPTION
1	7000-625	3	COIL PILOT GEN BLOCK	41	2010-700	1	HOSE, -10, 6000 PSI, 10FFORX, 10FFORX90S
2	2010-736	1	2-POS.3-WAY VALVE W/COIL	42	2010-829	1	HOSE, -8, 4000 PSI, 8FFORX90M, 8FFORX90S, 39"
3	2010-737	1	3-POS.4-WAY VALVE W/COILS	43	0315-104	2	CLAMP,HOSE # 16
4	2010-638	1	PILOT GEN BLOCK #6 BRAKE PORTS	44	8040-426	2	NUT,HEX,NYLOCK,5/16-18 UNC,ZN
5	2010-704	2	HOSE, -6, 500 PSI, 6FFORX, 6FFORX110, 27	45	8050-222	2	WASHER,WROUGHT,1/4,STD,ZN
6	0201-226	2	CLAMP,SET,T4100-PP	46	0310-584	2	PLATE,COVER TCP-T2 TCP-T2
7	0310-831	2	CLAMP, SET, T2062-PP BEHRINGER	47	0090-443	2	ROD THRD 5/16"-18 6"
8	2010-701	1	HOSE, -10, 6000 PSI, 10FFORX, 10FFORX110				
9	2010-702	1	HOSE, -10, 6000 PSI, 10FFORX, 10FFORX110				
10	2010-705	1	HOSE, -6, 500 PSI, 6FFORX, 6FFORX110, 38				
11	0315-010	10	ADARTER,10MFFOR-10MB				
12	2045-600	2	ADARTER FS6802-04-06-NWO				
13	0310-329	2	ADARTER,6MFFOR-6MB				
14	2010-571	2	MOTOR HYD MCR3F				
15	0200-282	10	NUT,FLANGE,M14x1.5				
16	0210-001	10	STUD,WHEEL,M14x1.5 174862				
17	0201-668	1	ADARTER,FS6801-10-10NWO				
18	0303-238	2	CLAMP,HOSE,1.5,#24 H24				
19	2010-757	1	TUBE SUCTION				
20	2010-761	1	HOSE INTAKE CHARGE				
21	2010-760	1	HOSE -6 500 PSI 6FFOX90S , 6FFOX90L				
22	2010-758	1	TUBE CHARGE				
23	0310-323	2	ADARTER,16MFFOR-12MB				
24	0304-133	2	CAPSCREW,12RT,1/2-13UNC X 1.5"				
25	8051-332	2	WASHER SPRING LOCK 1/2 ZN				
26	0090-136	2	WASHER HARD 1.0 X .531 X .197				
27	SEE NOTE						
28	0310-934	2	ADARTER,8MFFOR-10MB,8-10 F5OLO-S				
29	2010-695	1	TUBE MANIFOLD CASE DRAIN				
30	2010-748	1	HOSE 1.0" x 6.5" PT30 RESERVOIR				
31	0303-095	2	CAPSCREW M10 x 1.5 x 25 HCS 10.9OZ				
32	0301-781	2	WASHER,SPLIT LOCK,10mm,ZN				
33	0304-188	1	PLUG,6 ORING,HH				
34	2013-254	1	DOUBLE GEAR PUMP BONDIOLI				
35	0090-228	1	ADARTER 8FFORX-10MB-90 NWO FS6801-08-10-				
36	0700-124	10	NUT,TOPLock,1/2-13UNC,ZN,GD8				
37	2035-597	10	WASHER WROUGHT .531 x .886 x 0118 HARD Z				
38	8102-406	10	CAPSCREW,HH,1/2-13UNCx1.75,GD8				
39	2010-703	1	HOSE, -6, 500 PSI, 6FFORX, 6FFORX110, 35				
40	2010-699	1	HOSE, -10, 6000 PSI, 10FFORX, 10FFORX90S				

If item 27 (drive pump) needs to be replaced, you must purchase the following update kit. It contains a new pump and all components necessary to update your machine to the current pump configuration.

PART # DESCRIPTION
2010-995 KIT, UPDATE, PUMP

P/N: 2013-250 Pump Assembly
(includes items 27, 34)



DRIVE/AUXILIARY PUMP ASSEMBLY

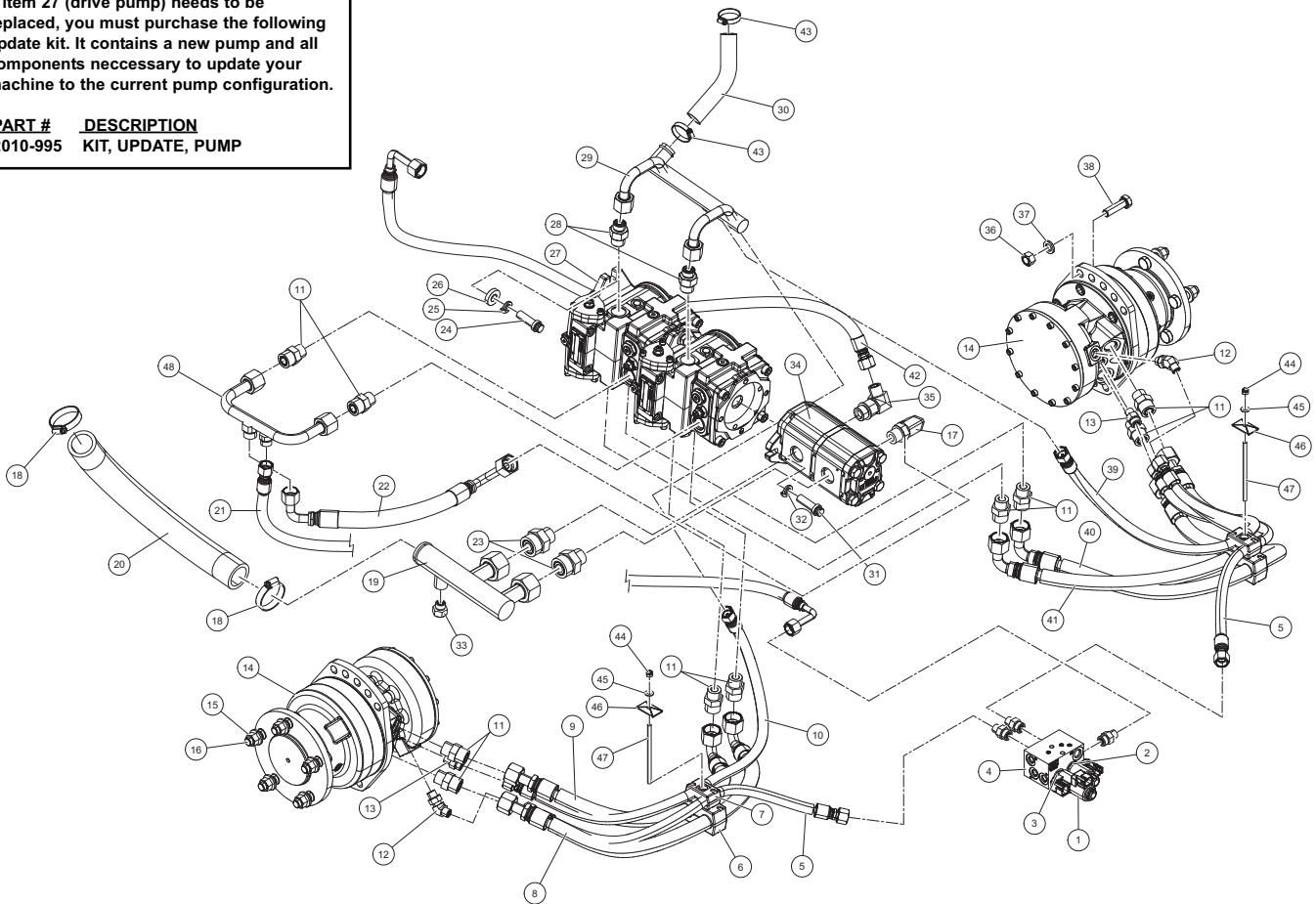
RT-30 00373 - 00382
RO70T 00720 - 00799

Chapter 3

REF. NO.	PART NUMBER	QTY.	DESCRIPTION	REF. NO.	PART NUMBER	QTY.	DESCRIPTION
1	7000-625	3	COIL PILOT GEN BLOCK	41	2010-700	1	HOSE, -10, 6000 PSI, 10FFORX, 10FFORX90S
2	2010-736	1	2-POS.3-WAY VALVE W/COIL	42	2010-829	1	HOSE, -8, 4000 PSI, 8FFORX90M, 8FFORX90S, 39"
3	2010-737	1	3-POS.4-WAY VALVE W/COILS	43	0315-104	2	CLAMP,HOSE # 16
4	2010-638	1	PILOT GEN BLOCK #6 BRAKE PORTS	44	8040-426	2	NUT,HEX,NYLOCK,5/16-18 UNC,ZN
5	2010-704	2	HOSE, -6, 500 PSI, 6FFORX, 6FFORX110, 27	45	8050-222	2	WASHER,WROUGHT,1/4,STD,ZN
6	2075-272	2	CLAMP,SET,T4100-PP	46	0310-584	2	PLATE,COVER TCP-T2 TCP-T2
7	0310-831	2	CLAMP, SET, T2062-PP BEHRINGER	47	0090-443	2	ROD THRD 5/16"-18 6"
8	2010-701	1	HOSE, -10, 6000 PSI, 10FFORX, 10FFORX110	48	2010-896	1	MANIFOLD, CHARGE PRESSURE
9	2010-702	1	HOSE, -10, 6000 PSI, 10FFORX, 10FFORX110				
10	2010-705	1	HOSE, -6, 500 PSI, 6FFORX, 6FFORX110, 38				
11	0315-010	10	ADARTER,10MFFOR-10MB				
12	2045-600	2	ADARTER FS6802-04-06-NWO				
13	0310-329	2	ADARTER,6MFFOR-6MB				
14	2010-571	2	MOTOR HYD MCR3F				
15	0200-282	10	NUT,FLANGE,M14x1.5				
16	0210-001	10	STUD,WHEEL,M14x1.5 174862				
17	0201-668	1	ADARTER,FS6801-10-10NWO				
18	0303-238	2	CLAMP,HOSE,1.5,#24 H24				
19	2010-757	1	TUBE SUCTION				
20	2010-761	1	HOSE INTAKE CHARGE				
21	2010-760	1	HOSE -6 500 PSI 6FFOX90S , 6FFOX90L				
22	2010-897	1	HOSE, -8, 500 PSI, FFX90M-08-08, FFX90L-08-10, 63?, 13.60"				
23	0310-323	2	ADARTER,16MFFOR-12MB				
24	0304-133	2	CAPSCREW,12RT,1/2-13UNC X 1.5"				
25	8051-332	2	WASHER SPRING LOCK 1/2 ZN				
26	0090-136	2	WASHER HARD 1.0 X .531 X .197				
27	SEE NOTE						
28	0310-934	2	ADARTER,8MFFOR-10MB,8-10 F5OLO-S				
29	2010-695	1	TUBE MANIFOLD CASE DRAIN				
30	2010-748	1	HOSE 1.0" x 6.5" PT30 RESERVOIR				
31	0303-095	2	CAPSCREW M10 x 1.5 x 25 HCS 10.9OZ				
32	0301-781	2	WASHER,SPLIT LOCK,10mm,ZN				
33	0304-188	1	PLUG,6 ORING,HH				
34	2013-254	1	DOUBLE GEAR PUMP BONDIOLI				
35	0090-228	1	ADARTER 8FFORX-10MB-90 NWO FS6801-08-10-				
36	0700-124	10	NUT,TOPLock,1/2-13UNC,ZN,GD8				
37	2035-597	10	WASHER WROUGHT .531 x .886 x 0118 HARD Z				
38	8102-406	10	CAPSCREW,HH,1/2-13UNCx1.75,GD8				
39	2010-703	1	HOSE, -6, 500 PSI, 6FFORX, 6FFORX110, 35				
40	2010-699	1	HOSE, -10, 6000 PSI, 10FFORX, 10FFORX90S				

If item 27 (drive pump) needs to be replaced, you must purchase the following update kit. It contains a new pump and all components necessary to update your machine to the current pump configuration.

PART # DESCRIPTION
2010-995 KIT, UPDATE, PUMP



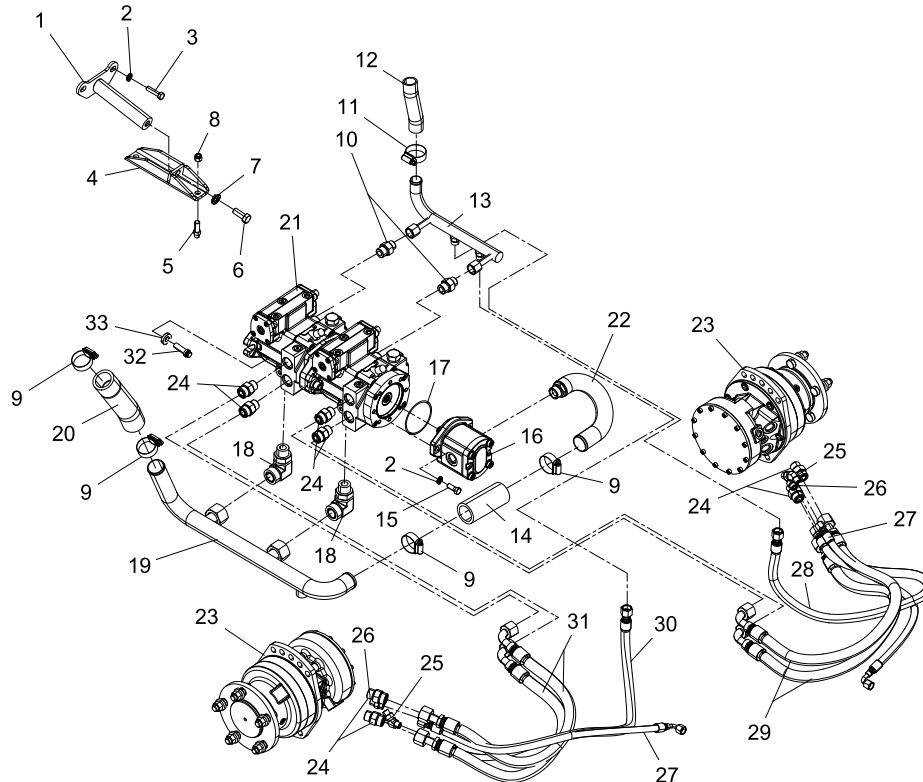
DRIVE/AUXILIARY PUMP ASSEMBLY

RT-30 00383 - 07434
RO70 00800 - 07434

Chapter 3

REF. NO.	PART NUMBER	QTY.	DESCRIPTION	REF. NO.	PART NUMBER	QTY.	DESCRIPTION
1	2010-610	1	WLMT BRACKET TRANNY				
2	8051-272	4	WASHER,SPRING LOCK,3/8,ZN				
3	8102-225	2	CAPSCREW,HH,3/8-16 UNCx1.5,GD8,ZN				
4	2010-028	1	WLMT,SUPPORT,TRANS.				
5	2010-608	1	STUD PLUG #4 O-RING TO 7/16-20				
6	8102-404	1	CAPSCREW,HH 1/2-13UNCx1.25 GD8 ZN				
7	8051-332	1	WASHER,SPRING LOCK,1/2,ZN				
8	8040-486	1	NUT,HEX,NYLOCK,3/8-16 UNC,ZN				
9	0303-238	4	CLAMP HOSE				
10	0310-934	2	ADAPTER,8MFFOR-10MB,8-10 F5OLO-S				
11	0303-240	1	CLAMP, HOSE, #16 HI TORQUE				
12	0304-442	1	HOSE,RES.				
13	2010-643	1	TUBE SADDLE MANIFOLD CASE DRAIN				
14	0304-437	1	HOSE,TRANNY				
15	2035-471	2	CAPSCREW SOC HD 3/8-16 x 1				
16	0304-013	1	PUMP,GEAR,AUXILIARY				
17	0300-696	1	SEAL,SHAFT,TRANSMISSION				
18	0310-324	2	ADAPTER,16MFFOR-12MB-90				
19	2010-473	1	TUBE MANIFOLD UPPER				
20	0304-528	1	HOSE,RES.1.5x9				
21	2010-895	1	PUMP, TANDEM 18cc				
22	0304-258	1	TUBE,MANIFOLD,LOWER				
23	2010-894	2	MOTOR, 325cc SINGLE SPEED				
24	0315-010	8	ADAPTER, HYD, 10 F5OLO-S,TRAP SEAL				
25	2045-600	2	ADAPTER FS6802-04-06-NWO				
26	0310-329	2	ADAPTER,6MFFOR-6MB				
27	2010-480	2	HOSE -4 4000 PSI 4FFORX 4FFORX90S 26.5?				
28	2010-918	1	HOSE, -6, 1000 PSI, 6FFORX, 6FFORX, 39.63"				
29	2010-479	2	HOSE DRIVE RH				
30	2010-917	1	HOSE, -6, 1000 PSI, 6FFORX, 6FFPRX, 40.88"				
31	2010-478	2	HOSE DRIVE LH				
32	0304-133	2	CAPSCREW,12PT,1/2-13UNC X 1.5" GD8,ZN				
33	0090-136	2	WASHER HARD 1.0 X .531 X .197				

Service Items:
0339-001- PUMP SHAFT BEARING
0304-797- PUMP SEAL,SHAFT,TRANSMISSION



DRIVE/AUXILIARY PUMP ASSEMBLY

RT-30 valid from - 07435

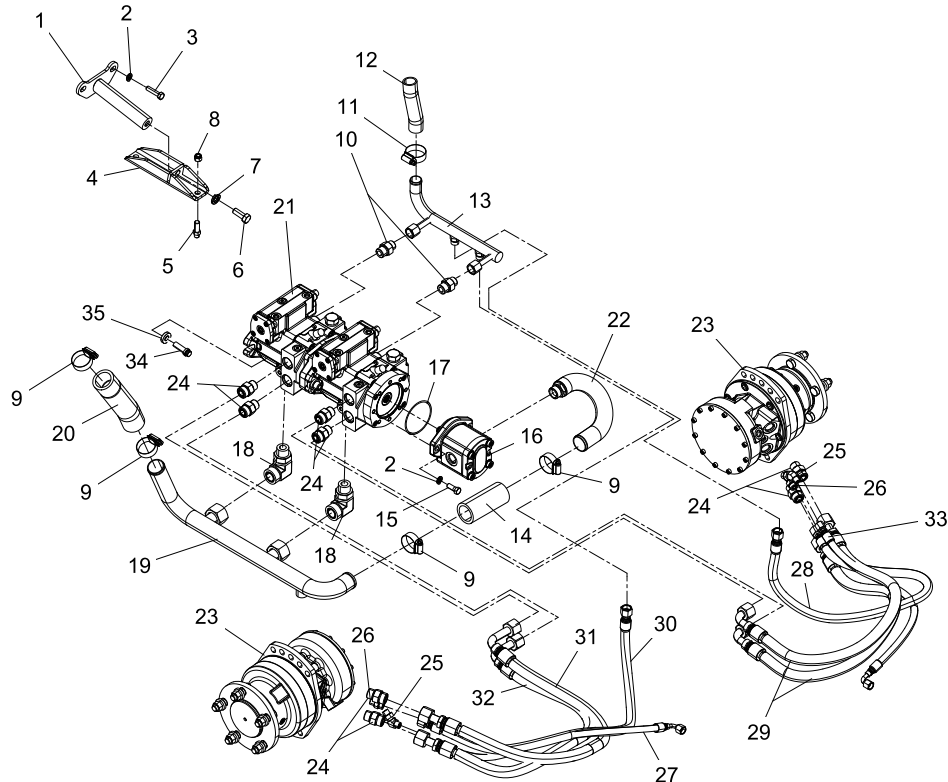
Chapter 3

REF. NO.	PART NUMBER	QTY.	DESCRIPTION	REF. NO.	PART NUMBER	QTY.	DESCRIPTION
1	2010-610	1	WLMT BRACKET TRANNY				
2	8051-272	4	WASHER, SPRING LOCK, 3/8, ZN				
3	8102-225	2	CAPSCREW, HH, 3/8-16 UNC x 1.5, GD8, ZN				
4	2010-028	1	WLMT, SUPPORT, TRANS.				
5	2010-608	1	STUD PLUG #4 O-RING TO 7/16-20				
6	8102-404	1	CAPSCREW, HH 1/2-13UNC x 1.25 GD8 ZN				
7	8051-332	1	WASHER, SPRING LOCK, 1/2, ZN				
8	8040-486	1	NUT, HEX, NYLOCK, 3/8-16 UNC, ZN				
9	0303-238	4	CLAMP HOSE				
10	0310-934	2	ADAPTER, 8MFFOR-10MB, 8-10 F5OLO-S				
11	0303-240	1	CLAMP, HOSE, #16 HI TORQUE				
12	0304-442	1	HOSE, RES.				
13	2010-643	1	TUBE SADDLE MANIFOLD CASE DRAIN				
14	0304-437	1	HOSE, TRANNY				
15	2035-471	2	CAPSCREW SOC HD 3/8-16 x 1				
16	0304-013	1	PUMP, GEAR, AUXILIARY				
17	0300-696	1	SEAL, SHAFT, TRANSMISSION				
18	0310-324	2	ADAPTER, 16MFFOR-12MB-90				
19	2010-473	1	TUBE MANIFOLD UPPER				
20	0304-528	1	HOSE, RES. 1.5x9				
21	2010-895	1	PUMP, TANDEM 18cc				
22	0304-258	1	TUBE, MANIFOLD, LOWER				
23	2010-894	2	MOTOR, 325cc SINGLE SPEED				
24	0315-010	8	ADAPTER, HYD, 10 F5OLO-S, TRAP SEAL				
25	2045-600	2	ADAPTER FS6802-04-06-NWO				
26	0310-329	2	ADAPTER, 6MFFOR-6MB				
27	2010-480	2	HOSE -4 4000 PSI 4FFORX 4FFORX90S 26.5"				
28	2010-918	1	HOSE, -6, 1000 PSI, 6FFORX, 6FFORX, 39.63"				
29	2010-479	2	HOSE DRIVE RH				
30	2010-917	1	HOSE, -6, 1000 PSI, 6FFORX, 6FFPRX, 40.88"				
31	2010-980	1	HOSE, -10, FFX-10-10-W, FFX90L-10-10-W, KT-10, 32.5"				
32	2010-981	1	HOSE, -10, FFX-10-10-W, FFX90L-10-10-W, KT-10, 29.88"				
33	2010-988	1	HOSE, -04, FFX-04-04, FFX90S-04-04, R1S-04, 24.5"				
34	0304-133	2	CAPSCREW, 12PT, 1/2-13UNC X 1.5" GD8, ZN				
35	0090-136	2	WASHER HARD 1.0 X .531 X .197				

Service Items:

0339-001- PUMP SHAFT BEARING

0304-797- PUMP SEAL, SHAFT, TRANSMISSION



Chapter 4

Electrical

4-1 Light Bar Assembly

RT-30 Serial # 00300 - 00314.4-1A

R070T Serial # 00101 - 00544.4-1A

RT-30 Serial # 00315 - 003734-1B

R070T Serial # 00545 - 007394-1B

RT-30 Serial # 00374 - 07591.4-1C

R070T Serial # 00740 - 07603.4-1C

RT-30 Serial # valid from - 07592.4-1D

R070T Serial # valid from - 07604.4-1D

4-2 Fuse Panel

RT-30 Serial # valid from - 00315.4-2A

R070T Serial # valid from - 00545.4-2A

- * **Parts manuals are updated on a regular basis. Always refer to the current online version to ensure you have the most up to date information prior to ordering parts.**

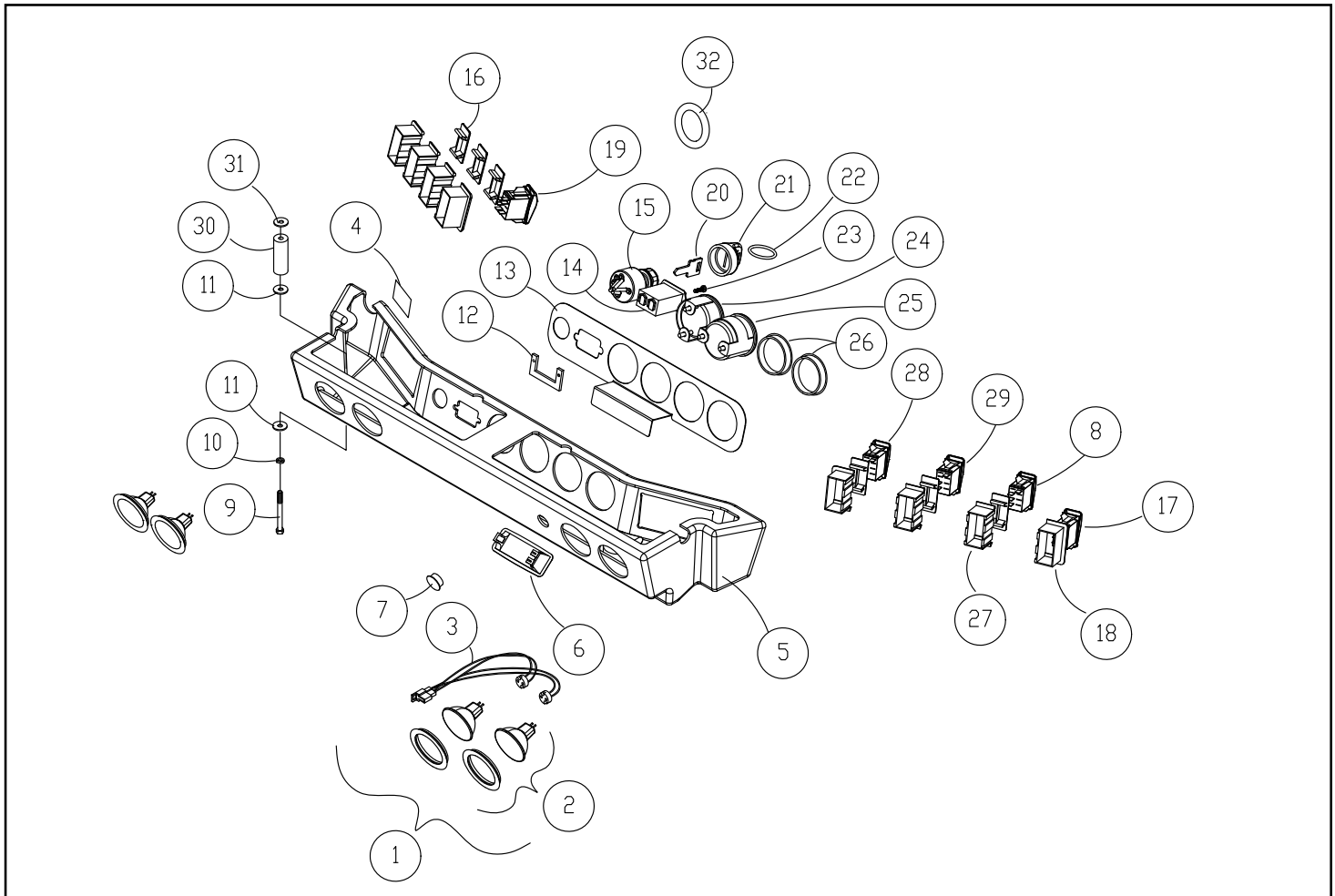
NOTE: Ordering parts that are painted requires a specific part number format. Please refer to page II of this manual for paint code and ordering information.

LIGHT BAR ASSEMBLY

RT-30 00300- 00314
RO70T 00101- 00544

Chapter 4

REF. NO.	PART NUMBER	QTY.	DESCRIPTION	REF. NO.	PART NUMBER	QTY.	DESCRIPTION
1	2045-755	4	KIT LIGHTS 35W W/ HARNESS				
2	2045-756	4	LIGHT 35W W/BEZEL				
3	0201-595	2	HARNESS,LIGHT,DOUBLE				
4	2010-159	1	DECAL DASH PANEL				
5	2030-241	1	CONSOLE MACHINED				
6	2030-245	1	LIGHT DOME				
7	0304-411	1	PLUG, HOLE, 3/4", PLASTIC				
8	0310-128	1	SWITCH,HEATER				
9	8102-142	2	CAPSCREW,HH,5/16-18x3.25,GD8				
10	0303-099	2	WASHER,STAR,3/8,				
11	8050-262	4	WASHER,WROUGHT,5/16,STD,ZN				
12	2030-397	1	PLATE MOUNT HOUR METER				
13	2030-272	1	PLATE BACKING GAUGES				
14	2045-502	1	METER HOUR				
15	0304-028	1	SWITCH,IGNITION,RC				
16	0310-138	6	PLUG				
17	0310-126	1	SWITCH,LIGHT				
18	0310-136	4	FRAME,END				
19	0200-252	2	SWITCH,3 POSITION,LOCKING				
20	2045-432	1	KEY IGNITION				
21	2045-792	1	COVER KEY IGNITION				
22	0304-551	1	RING,KEY				
23	8008-217	2	SCREW,MACH#6-32x0.5,PH,PAN				
24	2030-244	1	GAUGE WARNING INDICATION				
25	4010-014	1	GAUGE FUEL				
26	2030-303	2	PLUG FINISHING 2"				
27	0310-137	4	FRAME,MID				
28	0310-133	1	SWITCH,BEACON				
29	0304-123	1	SWITCH,ON/OFF,WIPER				
30	0201-952	2	SPACER .625OD. .38 ID x 2 5/16"				
31	0090-105	2	NUT PUSH 5/16"				
32	2030-431	1	DECAL IGNITION				



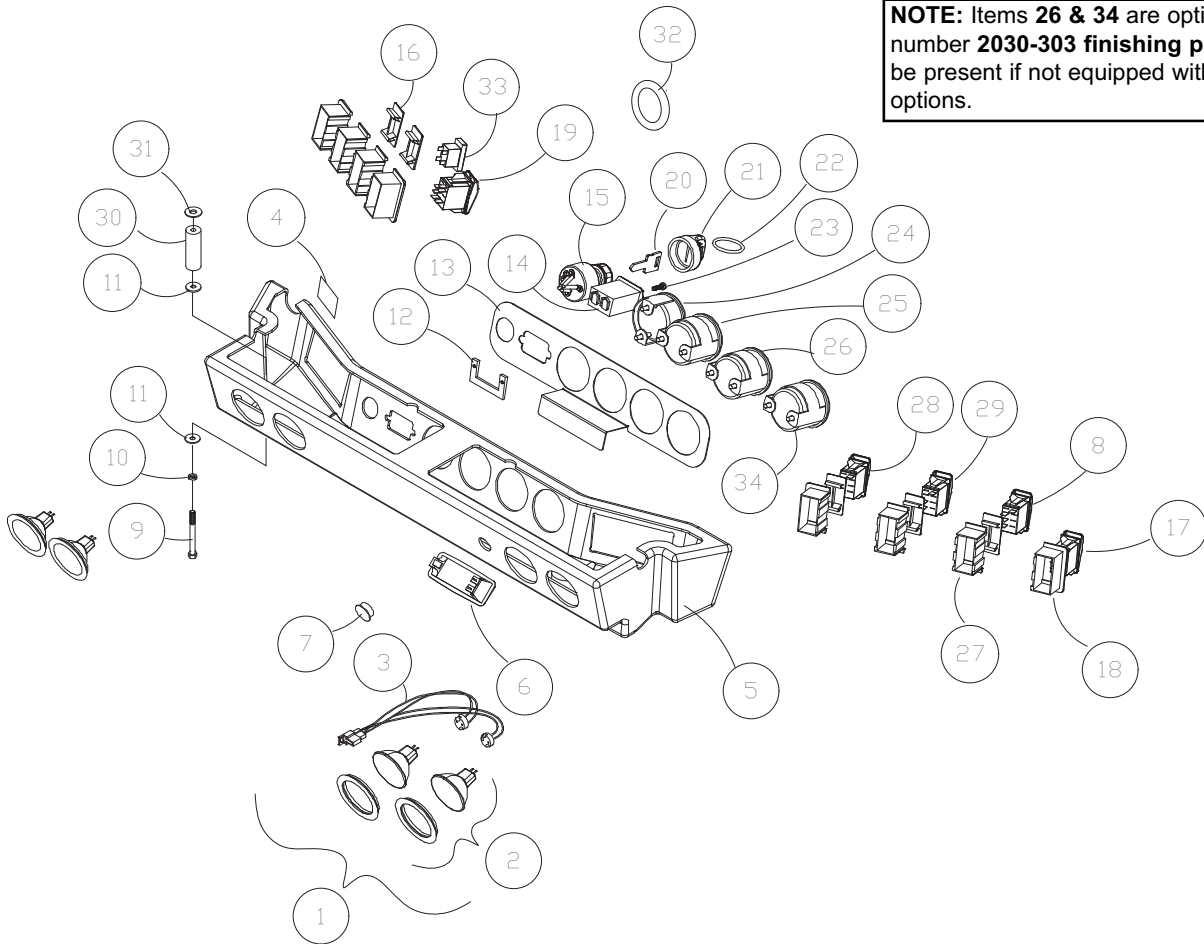
LIGHT BAR ASSEMBLY

RT-30 00315 - 00373
RO70T 00545 - 00739

Chapter 4

REF. NO.	PART NUMBER	QTY.	DESCRIPTION	REF. NO.	PART NUMBER	QTY.	DESCRIPTION
1	2045-755	4	KIT LIGHTS 35W W/ HARNESS				
2	2045-756	4	LIGHT 35W W/BEZEL				
3	0201-595	2	HARNESS,LIGHT,DOUBLE				
4	2010-159	1	DECAL DASH PANEL				
5	2030-241	1	CONSOLE MACHINED				
6	2030-245	1	LIGHT DOME				
7	0304-411	1	PLUG, HOLE, 3/4", PLASTIC				
8	0310-128	1	SWITCH,HEATER				
9	8102-142	2	CAPSCREW,HH,5/16-18x3.25,GD8				
10	0303-099	2	WASHER,STAR,3/8,				
11	8050-262	4	WASHER,WROUGHT,5/16,STD,ZN				
12	2030-397	1	PLATE MOUNT HOUR METER				
13	2030-272	1	PLATE BACKING GAUGES				
14	2045-502	1	METER HOUR				
15	0304-028	1	SWITCH,IGNITION,RC				
16	0310-138	6	PLUG				
17	0310-126	1	SWITCH,LIGHT				
18	0310-136	4	FRAME,END				
19	0200-252	2	SWITCH,3 POSITION,LOCKING				
20	2045-432	1	KEY IGNITION				
21	2045-792	1	COVER KEY IGNITION				
22	0304-551	1	RING,KEY				
23	8008-217	2	SCREW,MACH#6-32x0.5,PH,PAN				
24	4030-129	1	GAUGE WARNING INDICATOR 2"				
25	4030-127	1	GAUGE FUEL				
26	4030-130	2	GAUGE WATER TEMP 2" (SEE NOTE)				
27	0310-137	4	FRAME,MID				
28	0310-133	1	SWITCH,BEACON				
29	0304-123	1	SWITCH,ON/OFF,WIPER				
30	0201-952	2	SPACER .625OD. .38 ID x 2 5/16"				
31	0090-105	2	NUT PUSH 5/16"				
32	2030-431	1	DECAL IGNITION				
33	2075-749	1	INDICATOR RABBIT/GLOW PLUG				
34	4030-128	1	GAUGE TACHOMETER 2" (SEE NOTE)				

NOTE: Items 26 & 34 are optional. Part number 2030-303 finishing plugs will be present if not equipped with these options.



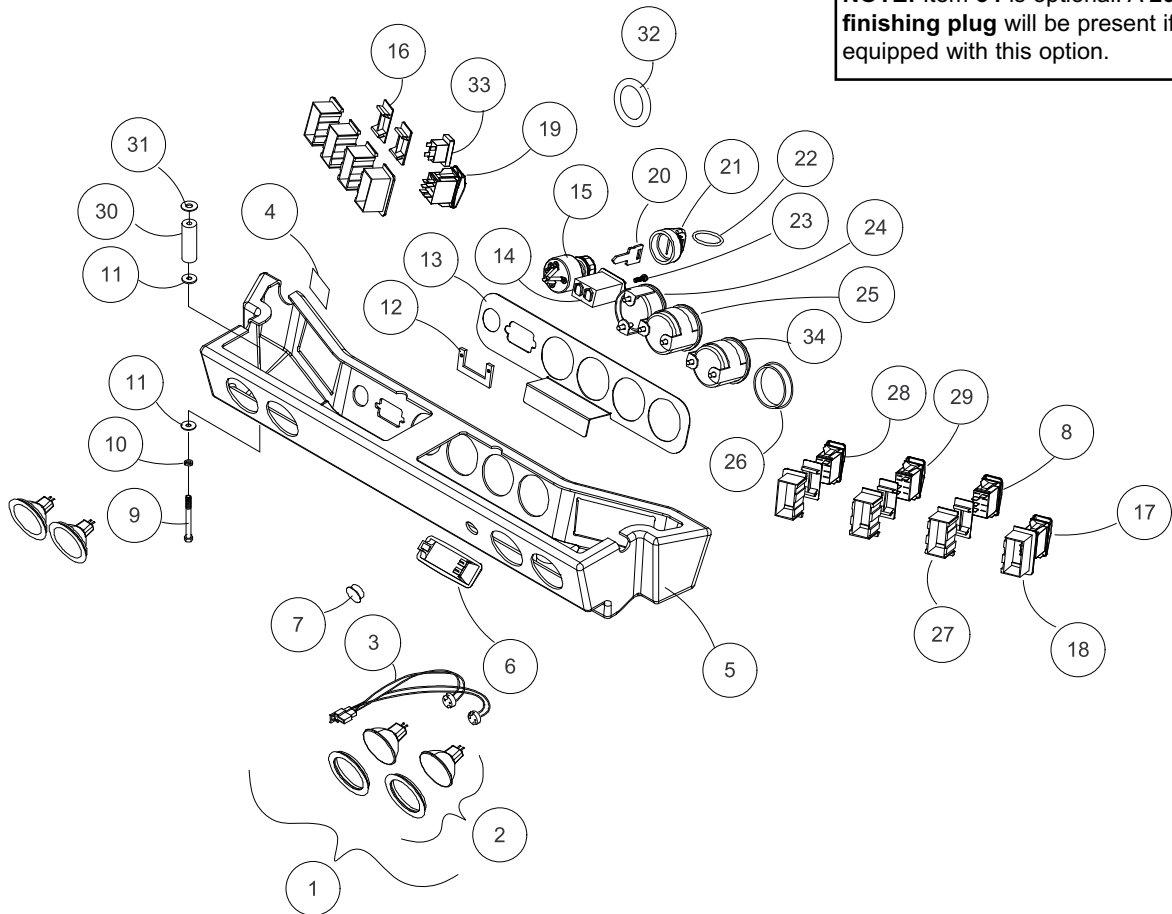
LIGHT BAR ASSEMBLY

RT-30 00374 - 07591
RO70T 00740 - 07603

Chapter 4

REF. NO.	PART NUMBER	QTY.	DESCRIPTION	REF. NO.	PART NUMBER	QTY.	DESCRIPTION
1	2045-755	4	KIT LIGHTS 35W W/ HARNESS				
2	2045-756	4	LIGHT 35W W/BEZEL				
3	0201-595	2	HARNESS,LIGHT,DOUBLE				
4	2010-159	1	DECAL DASH PANEL				
5	2030-241	1	CONSOLE MACHINED				
6	2030-245	1	LIGHT DOME				
7	0304-411	1	PLUG, HOLE, 3/4", PLASTIC				
8	0310-128	1	SWITCH,HEATER				
9	8102-142	2	CAPSCREW,HH,5/16-18x3.25,GD8				
10	0303-099	2	WASHER,STAR,3/8,				
11	8050-262	4	WASHER,WROUGHT,5/16,STD,ZN				
12	2030-397	1	PLATE MOUNT HOUR METER				
13	2030-272	1	PLATE BACKING GAUGES				
14	2045-502	1	METER HOUR				
15	0304-028	1	SWITCH,IGNITION,RC				
16	0310-138	6	PLUG				
17	0310-126	1	SWITCH,LIGHT				
18	0310-136	4	FRAME,END				
19	0200-252	2	SWITCH,3 POSITION,LOCKING				
20	2045-432	1	KEY IGNITION				
21	2045-792	1	COVER KEY IGNITION				
22	0304-551	1	RING,KEY				
23	8008-217	2	SCREW,MACH#6-32x0.5,PH,PAN				
24	4030-129	1	GAUGE WARNING INDICATOR 2"				
25	4030-127	1	GAUGE FUEL				
26	2030-303	2	PLUG FINISHING 2" HEYCO 3050				
27	0310-137	4	FRAME,MID				
28	0310-133	1	SWITCH,BEACON				
29	0304-123	1	SWITCH,ON/OFF,WIPER				
30	0201-952	2	SPACER .625OD .38 ID x 2 5/16"				
31	0090-105	2	NUT PUSH 5/16"				
32	2030-431	1	DECAL IGNITION				
33	2075-749	1	INDICATOR RABBIT/GLOW PLUG				
34	4030-128	1	GAUGE TACHOMETER 2" (SEE NOTE)				

NOTE: Item 34 is optional. A 2030-303 finishing plug will be present if not equipped with this option.



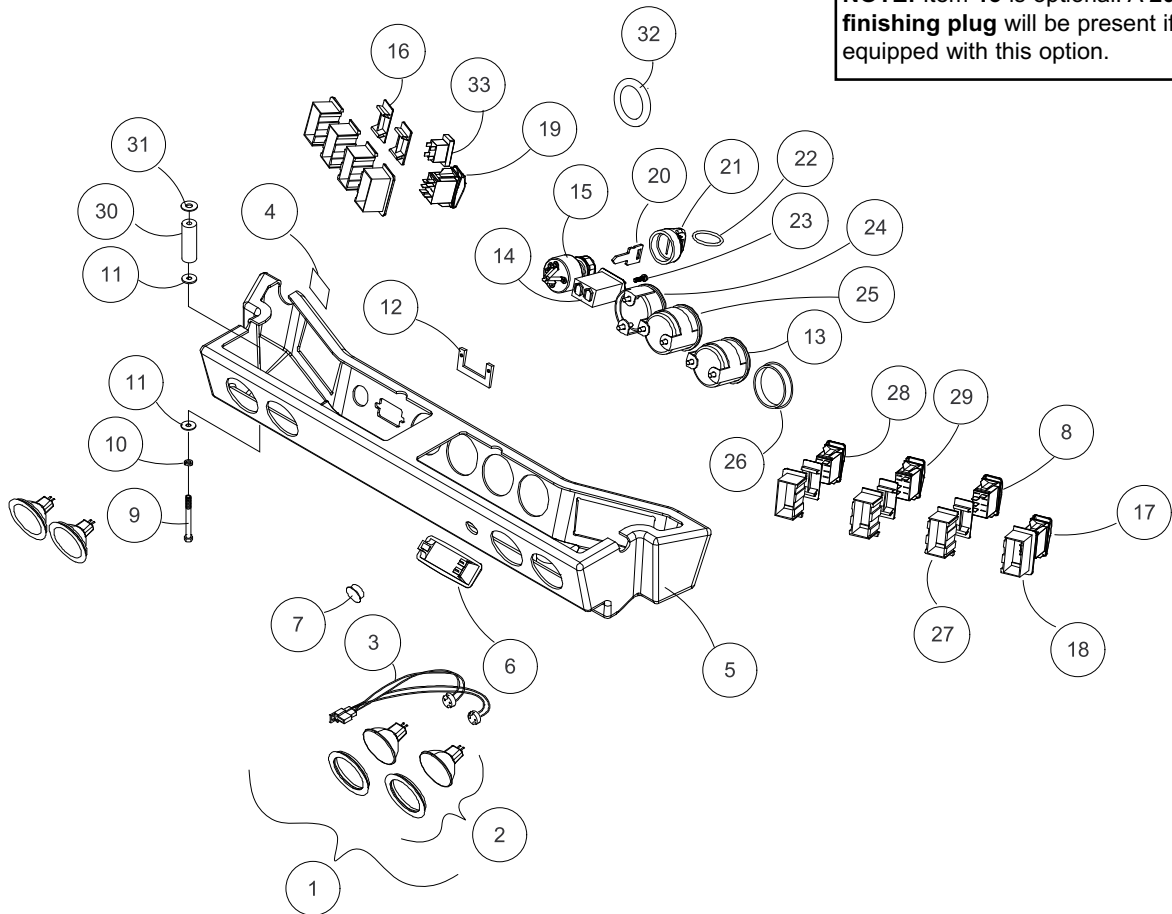
LIGHT BAR ASSEMBLY

RT-30 valid from 07592
RO70T valid from 07604

Chapter 4

REF. NO.	PART NUMBER	QTY.	DESCRIPTION	REF. NO.	PART NUMBER	QTY.	DESCRIPTION
1	2045-755	4	KIT LIGHTS 35W W/ HARNESS				
2	2045-756	4	LIGHT 35W W/BEZEL				
3	0201-595	2	HARNESS,LIGHT,DOUBLE				
4	2010-159	1	DECAL DASH PANEL				
5	2030-241	1	CONSOLE MACHINED				
6	2030-245	1	LIGHT DOME				
7	0304-411	1	PLUG, HOLE, 3/4", PLASTIC				
8	0310-128	1	SWITCH,HEATER				
9	8102-142	2	CAPSCREW,HH,5/16-18x3.25,GD8				
10	0303-099	2	WASHER,STAR,3/8,				
11	8050-262	4	WASHER,WROUGHT,5/16,STD,ZN				
12	2030-397	1	PLATE MOUNT HOUR METER				
13	4030-228	1	GAUGE, 2" TACHOMETER, MAXIMATECC (SEE NOTE)				
14	2045-502	1	METER HOUR				
15	0304-028	1	SWITCH,IGNITION,RC				
16	0310-138	6	PLUG				
17	0310-126	1	SWITCH,LIGHT				
18	0310-136	4	FRAME,END				
19	0200-252	2	SWITCH,3 POSITION,LOCKING				
20	2045-432	1	KEY IGNITION				
21	2045-792	1	COVER KEY IGNITION				
22	0304-551	1	RING,KEY				
23	8008-217	2	SCREW,MACH#6-32x0.5,PH,PAN				
24	4030-129	1	GAUGE WARNING INDICATOR 2"				
25	4030-227	1	GAUGE, 2" FUEL, MAXIMATECC				
26	2030-303	2	PLUG FINISHING 2" HEYCO 3050				
27	0310-137	4	FRAME,MID				
28	0310-133	1	SWITCH,BEACON				
29	0304-123	1	SWITCH,ON/OFF,WIPER				
30	0201-952	2	SPACER .625OD, .38 ID x 2 5/16"				
31	0090-105	2	NUT PUSH 5/16"				
32	2030-431	1	DECAL IGNITION				
33	2075-749	1	INDICATOR RABBIT/GLOW PLUG				

NOTE: Item 13 is optional. A 2030-303 finishing plug will be present if not equipped with this option.

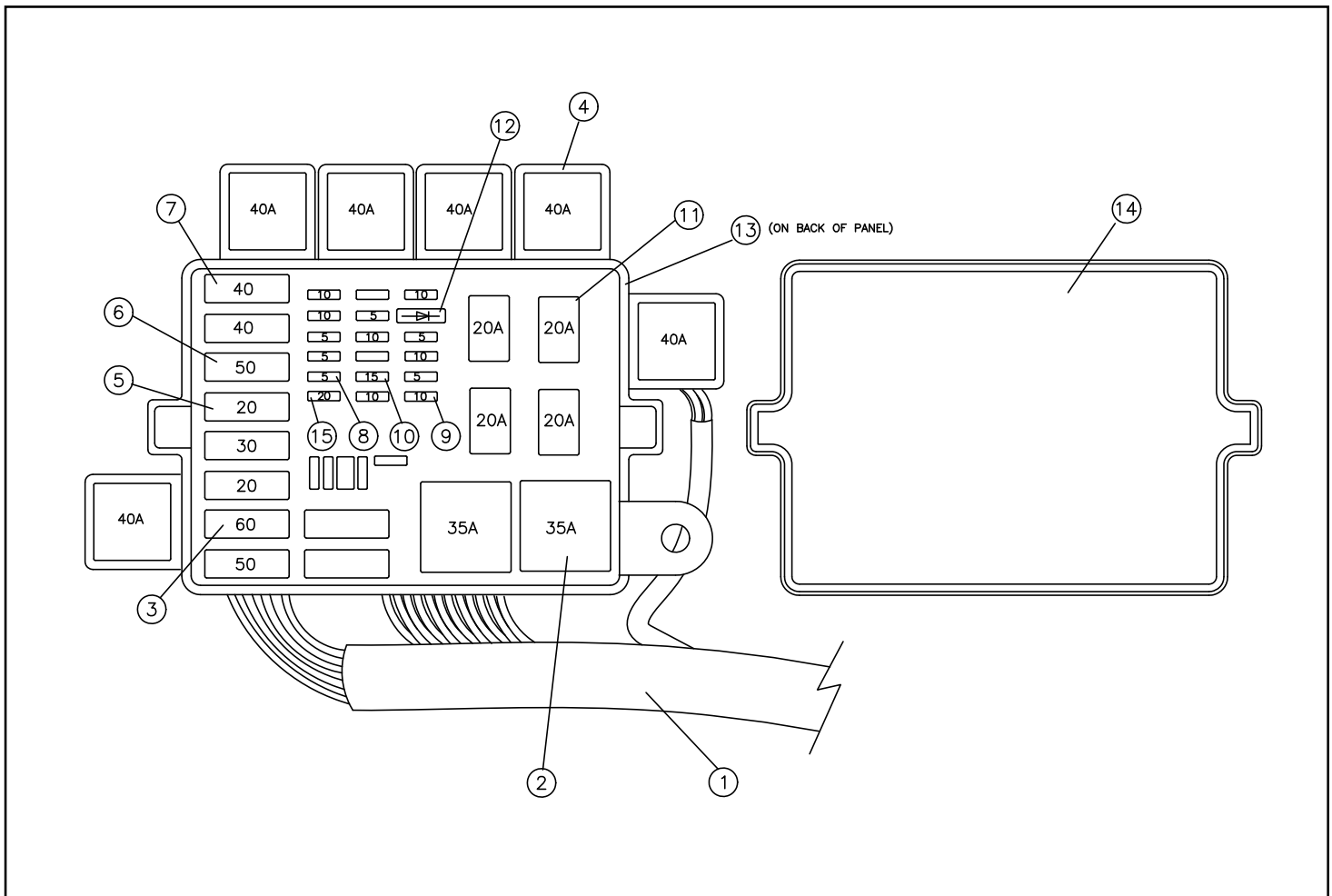


FUSE PANEL ASSEMBLY

RT-30 valid from - 00300
R070T valid from - 00101

Chapter 4

REF. NO.	PART NUMBER	QTY.	DESCRIPTION	REF. NO.	PART NUMBER	QTY.	DESCRIPTION
1	-----	1	HARNES MAIN --SEE HARNESSES ON PAGE III				
2	0310-807	2	RELAY,MINI, 35 AMP				
3	0310-804	1	FUSE,MAXI, 60 AMP				
4	0304-519	6	RELAY,PLUG,GLOW				
5	0310-800	2	FUSE,MAXI,20 AMP				
6	0310-803	2	FUSE,MAXI, 50 AMP				
7	0310-802	2	FUSE,MAXI, 40 AMP				
8	0310-794	6	FUSE,MINI, 5 AMP				
9	0310-795	7	FUSE,MINI,10 AMP				
10	0310-796	2	FUSE,MINI,15 AMP				
11	0310-806	4	RELAY,MICRO, 20 AMP				
12	0310-811	1	DIODE, 3 AMP				
13	0200-510	1	RESISTOR,330HM/3WATT,OHMITE43F				
14	2010-089	1	COVER,PANEL,FUSE,W ITH DECALS				
15	0310-797	1	FUSE,MINI,20 AMP				



Chapter 5

Undercarriage

5-1 Torsion Axle

RT-30 Serial # valid from - 00300.5-1A

R070T Serial # valid from - 00101.5-1A

5-2 Undercarriage Assembly RT

RT-30 Serial # 00300 - 00382.5-2A

R070T Serial # 00101 - 00799.5-2A

RT-30 Serial # valid from - 00383.5-2B

R070T Serial # valid from - 00800.5-2B

5-3 Undercarriage Assembly LT

RT-30 Serial # 00300 - 00382.5-3A

R070T Serial # 00101 - 00799.5-3A

RT-30 Serial # valid from - 00383.5-3B

R070T Serial # valid from - 00800.5-3B

5-4 Undercarriage Assembly (optional) RT

RT-30 Serial # valid from - 00300.5-4A

R070T Serial # valid from - 00101.5-4A

5-5 Undercarriage Assembly (optional) LT

RT-30 Serial # valid from - 00300.5-5A

R070T Serial # valid from - 00101.5-5A

- * **Parts manuals are updated on a regular basis. Always refer to the current online version to ensure you have the most up to date information prior to ordering parts.**

NOTE: Ordering parts that are painted requires a specific part number format. Please refer to page II of this manual for paint code and ordering information.

TORSION AXLE ASSEMBLY

RT-30 valid from - 00300
RO70T valid from - 00101

Chapter 5

REF. NO.	PART NUMBER	QTY.	DESCRIPTION	REF. NO.	PART NUMBER	QTY.	DESCRIPTION
1	2010-671	1	AXLE,TORSION,FRONT				
2	2010-672	1	AXLE,TORSION,REAR				
3	0304-100	4	WASHER,1/4"THICK				
4	8102-587	16	CAPSCREW,HH 5/8-11UNCx 2.0 GD8,ZN				
5	0402-621	16	NUT, TOP LOCK, STL,5/8-11UNC,ZN				
6	0700-287	32	WASHER,16mmX30mmX5mm				
7	2010-669	4	SPACER 1.50 X 2.25 X .134				
8	8102-404	4	CAPSCREW,HH 1/2-13UNCx1.25 GD8				
9	8051-332	4	WASHER,SPRING LOCK,1/2,ZN				

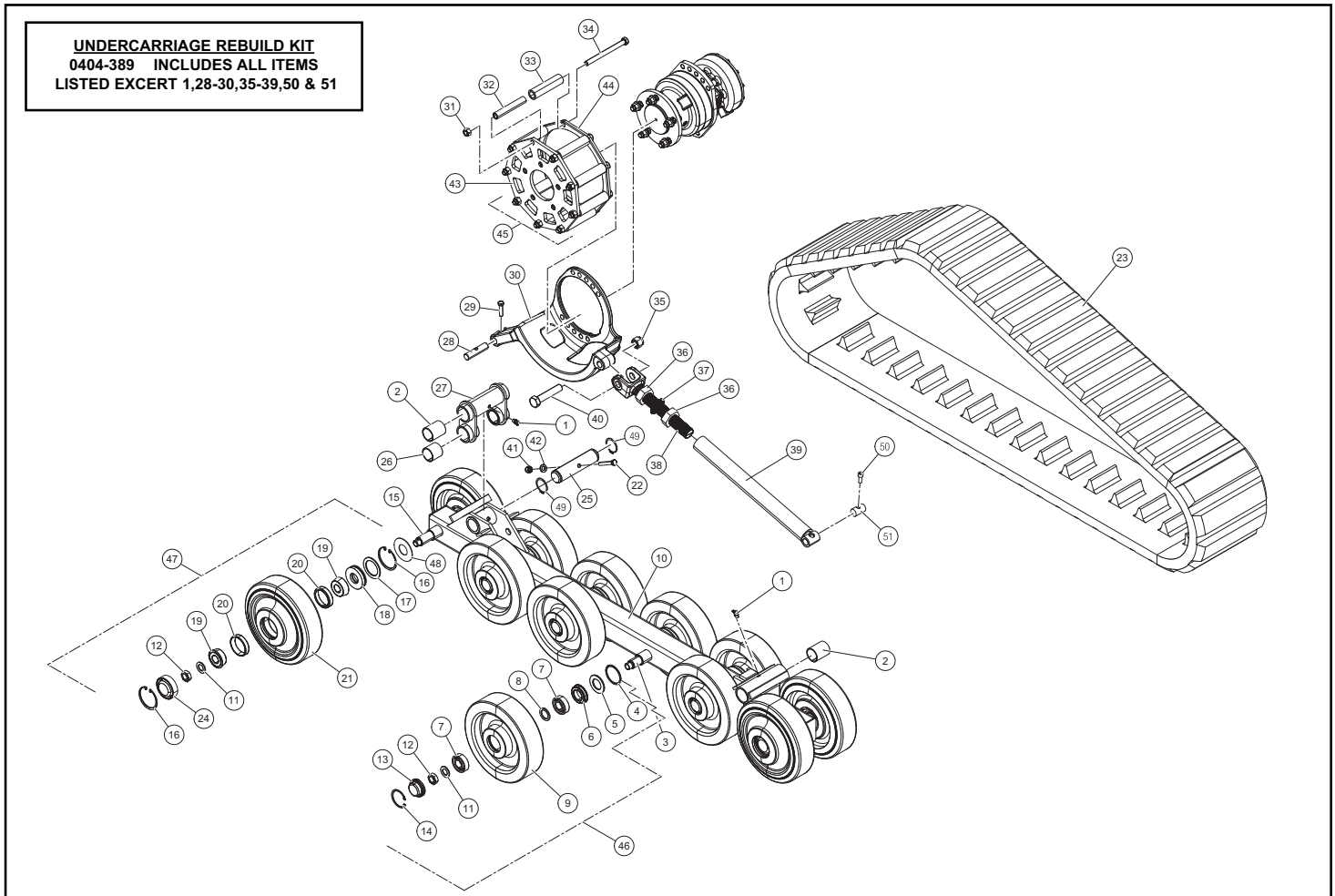


UNDERCARRIAGE ASSEMBLY RT

RT-30 00300 - 00382
RO70T 00101 - 00799

Chapter 5

REF. NO.	PART NUMBER	QTY.	DESCRIPTION	REF. NO.	PART NUMBER	QTY.	DESCRIPTION
1	0304-427	2	FITTING, GREASE, 1/8 NRT x 45°	41	8042-490	1	NUT, HEX, 3/8-16 UNC, GD8
2	2010-065	4	BUSHING, DU, 1.50X1.66X2.00	42	0090-104	1	WASHER, .402 x .728 x .098 HARD
3	2010-238	4	AXLE 1.25 X 9.5	43	2010-569	1	RING SPROCKET, 10.623
4	0702-114	8	RING, RETAINER, INT	44	2010-034	1	RING, SPROCKET, 10.623
5	0304-117	8	GUARD, BEARING	45	2010-783	1	ASSEMBLY, DRIVE SPROCKET, SERVICE
6	0303-141	8	SEAL, APY, 1.250x2.062x.450	46	2010-247	8	ASSY RT30 WHEEL SERVICE
7	0302-591	16	BEARING, BALL, 6205 W/O SEALS	47	2010-525	4	KIT END WHEEL 10" SERVICE
8	0304-097	8	SPACER, BEARING 1.0 ID X 1.5 OD X 1/8 THI	48	0702-210	4	WASHER, 4.41x2.00x.104
9	0304-101	8	WHEEL, 10"	49	0090-477	2	RING SNAP EXT 1.5"
10	2010-572	1	WELDMENT RAIL RT30	50	2035-471	1	CAPSCREW SOC HD 3/8-16 x 1
11	0090-204	12	WASHER BEARING	51	2035-308	1	PIN, TENSIONER, THREADED
12	0304-722	12	NUT, HEX, JAM, LOCKING, 3/4-10UNC				
13	2010-142	8	HUB CAP RUBBER BONDED				
14	0304-319	8	RING, SNAP, INNER WHEEL, PLATED				
15	0702-145	2	AXLE, MACHINED, 10.32				
16	0702-115	8	RING, SNAP, INT, PLATED				
17	2010-517	4	WASHER 2.58 x 1.87 x .0897				
18	2060-044	4	SEAL 1.25 x 2.635 x .591				
19	0702-106	8	BEARING, CONE				
20	0702-105	8	BEARING, CUP				
21	0702-200	4	WHEEL, 10", W/HUB				
22	8102-229	1	CAPSCREW, HH 3/8-16UNCx2.5, GD8				
23	0304-003	1	TRACK, 11" WIDE, PROFILE 2				
24	0702-111	4	CAP, WHEEL				
25	2010-766	1	SHAFT SWING JOINT				
26	2010-593	2	BUSHING DU 1.50 x 1.66 x 1.50				
27	2010-582	1	WELDMENT REAR PIVOT JOINT				
28	2035-308	1	PIN, TENSIONER, THREADED				
29	8102-225	1	CAPSCREW, HH, 3/8-16 UNC x 1.5, GD8, ZN				
30	2010-522	1	TABLE CAST MOTOR MACHINED RH				
31	0700-124	9	NUT, TOP LOCK, 1/2-13UNC, ZN, GD8				
32	0304-098	9	TOOTH, DRIVE, SPROCKET				
33	0304-806	9	TUBE, SPROCKET				
34	8102-418	9	CAPSCREW, HH, 1/2-13UNC x 6.0, GD8, ZN				
35	8040-786	1	NUT, HEX, NYLOCK, 3/4-10 UNC, ZN				
36	0090-317	2	NUT HEX 1.25-7 UNC JAM ZINC				
37	0090-262	1	WASHER SAFETY S33-1.25"				
38	2035-448	1	CLEVIS END TENSIONER MACHINED				
39	2010-583	1	WELDMENT LOWER TENSIONER				
40	0304-408	1	CAPSCREW, HH, 3/4-10UNC3.75, GD8				



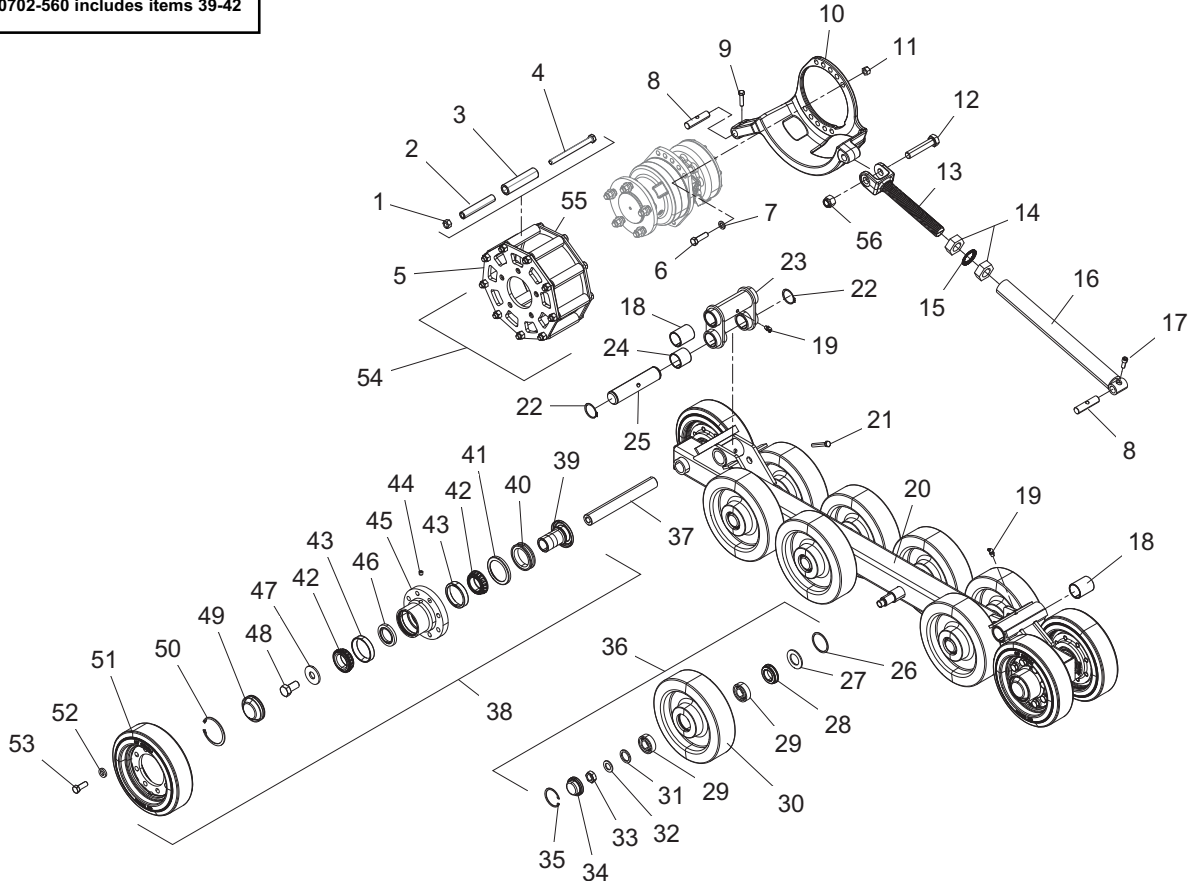
UNDERCARRIAGE ASSEMBLY RT

RT-30 valid from - 00383
RO70T valid from - 00800

Chapter 5

REF. NO.	PART NUMBER	QTY.	DESCRIPTION	REF. NO.	PART NUMBER	QTY.	DESCRIPTION
1	0700-124	9	NUT, TOPLOCK, 1/2-13UNC, ZN, GD8	41	2035-391	4	RETAINER INNER 53MM
2	0304-098	9	TOOTH, DRIVE, SPROCKET	42	0702-509	8	BEARING CONE LM5013349 PEER
3	0304-806	9	TUBE, SPROCKET	43	0702-509	8	BEARING CONE LM5013349 PEER
4	8102-418	9	CAPSCREW, HH, 1/2-13UNC x 6.0, GD8, ZN	44	2035-320	4	PLUG 1/8" NPT HEX W/SEALANT
5	2010-569	1	PLATE, SPROCKET PT30 REXROTH	45	0702-361	4	HUB 10" 8 BOLT MACHINED
6	8102-406	10	CAPSCREW, HH, 1/2-13UNC x 1.75, GD8	46	0702-368	4	SEAL LIP
7	2035-597	10	WASHER WROUGHT .531 x .886 x 0118 HARD ZN	47	2010-839	4	WASHER, HARD, 2.125 OD
8	2035-308	2	PIN, TENSIONER, THREADED	48	8102-675	4	CAPSCREW, 3/4-10UNC x 1.5, GD8, ZN
9	8102-225	1	CAPSCREW, HH, 3/8-16 UNC x 1.5, GD8, ZN	49	2010-899	4	CAP, HUB, RUBBER BONDED
10	2010-522	1	TABLE CAST MOTOR MACHINED RH	50	0702-371	4	SNAP RING .093 x .325
11	0700-124	10	NUT, TOPLOCK, 1/2-13UNC, ZN, GD8	51	2035-644	4	WHEEL 10" ALPHA BOLT ON
12	0304-408	1	CAPSCREW, HH, 3/4-10UNC x 3.75, GD8,	52	0090-136	32	WASHER HARD 1.0 X .531 X .197
13	2035-448	1	CLEVIS END TENSIONER MACHINED	53	2035-659	32	CAPSCREW HH 1/2-13 x 1.375 GR8
14	0090-317	2	NUT HEX 1.25-7 UNC JAM ZINC	54	2010-783	1	ASSEMBLY SPROCKET PT30
15	0090-262	1	WASHER SAFETY S33-1.25"	55	2010-034	1	RING, SPROCKET, 10.623
16	2010-583	1	WELDMENT LOWER TENSIONER	56	8040-786	1	NUT, HEX, NYLOCK, 3/4-10 UNC, ZN
17	2035-471	1	CAPSCREW SOC HD 3/8-16 x 1				
18	2010-065	4	BUSHING, DU, 1.50X1.66X2				
19	0304-427	2	FITTING, GREASE, 1/8 NPT x 45°				
20	2010-902	1	WLMT, RAIL, SMALL, FC, F&R				
21	8102-229	1	CAPSCREW, HH 3/8-16UNC x 2.5, GD8				
22	0090-477	2	RING SNAP EXT 1.5"				
23	2010-582	1	WELDMENT REAR PIVOT JOINT				
24	2010-593	2	BUSHING DU 1.50 x 1.66 x 1.50				
25	2010-766	1	SHAFT SWING JOINT				
26	0702-114	8	RING, RETAINER, INT				
27	0304-117	8	GUARD, BEARING				
28	0303-141	8	SEAL, APY, 1.250 x 2.062 x .450				
29	0302-591	16	BEARING, BALL, 6205 W/O SEALS				
30	0304-101	8	WHEEL, 10"				
31	0090-204	8	WASHER BEARING				
32	0304-097	8	SPACER, BEARING 1.0 ID X 1.5 OD X 1/8 THICK				
33	0304-722	8	NUT, HEX, JAM, LOCKING, 3/4-10UNC				
34	2010-142	8	HUB CAP RUBBER BONDED				
35	0304-319	8	RING, SNAP, INNER WHEEL, PLATED				
36	2010-247	8	ASSY PT30 WHEEL SERVICE				
37	2010-838	2	AXLE, WHEEL, FACESEAL				
38	0702-605	4	ASSEMBLY HUB 10" W/RUBBER WHEEL				
39	0702-367	4	WLMT RETAINER 53MM				
40	2035-438	4	ASSY, SEAL, 53 MM				

ASV P/N: 0702-560 includes items 39-42

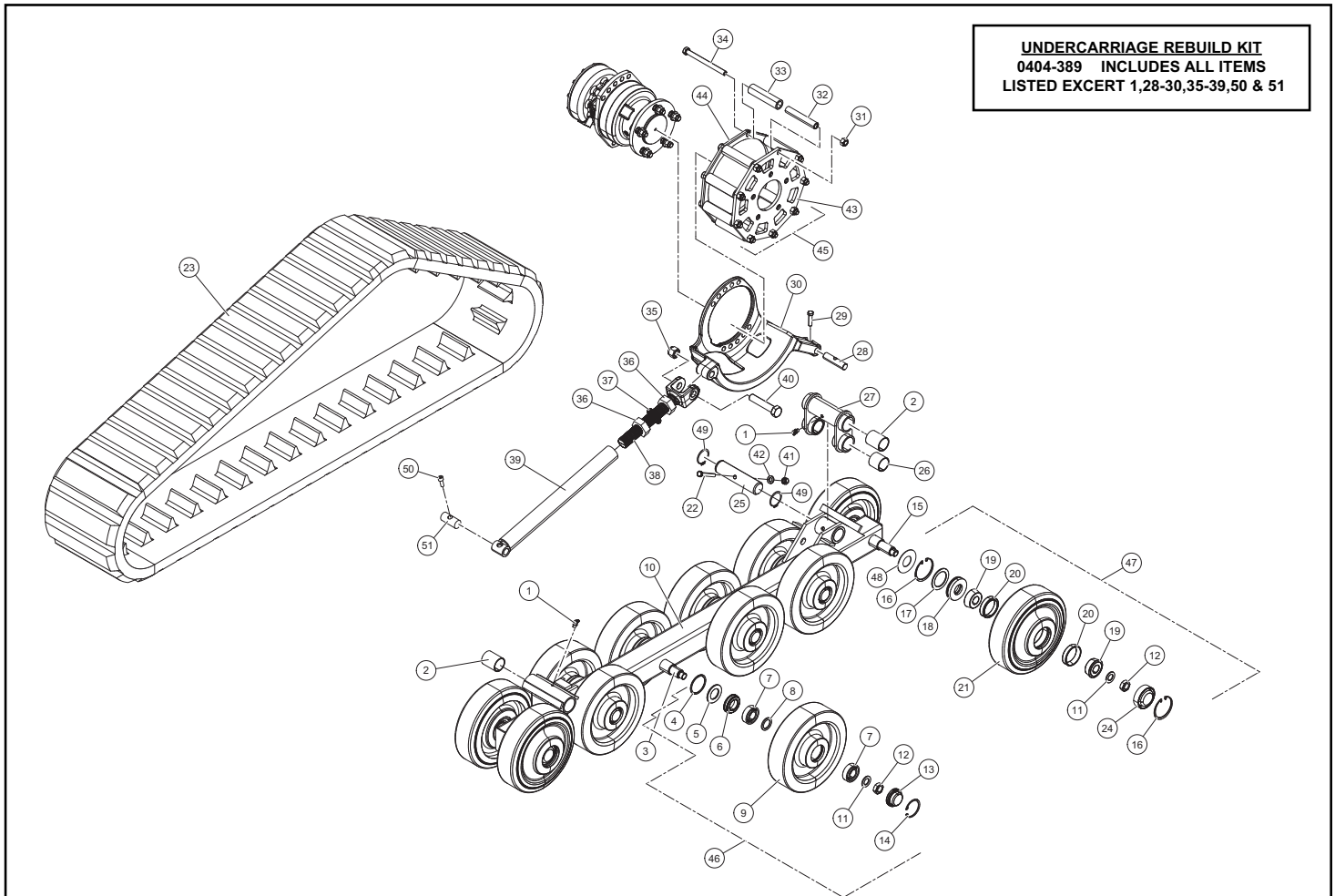


UNDERCARRIAGE ASSEMBLY LT

RT-30 00300 - 00382
RO70T 00101 - 00799

Chapter 5

REF. NO.	PART NUMBER	QTY.	DESCRIPTION	REF. NO.	PART NUMBER	QTY.	DESCRIPTION
1	0304-427	2	FITTING,GREASE,1/8 NRT x 45^	41	8042-490	1	NUT,HEX,3/8-16 UNC,GD8
2	2010-065	4	BUSHING,DU,1.50X1.66X2.00	42	0090-104	1	WASHER .402 x .728 x .098 HARD
3	2010-238	4	AXLE 1.25 X 9.5	43	2010-569	1	RING SPROCKET 10.623
4	0702-114	8	RING,RETAINER,INT	44	2010-034	1	RING,SPROCKET,10.623
5	0304-117	8	GUARD,BEARING	45	2010-783	1	ASSEMBLY, DRIVE SPROCKET, SERVICE
6	0303-141	8	SEAL,APY,1.250x2.062x.450	46	2010-247	8	ASSY RT30 WHEEL SERVICE
7	0302-591	16	BEARING,BALL,6205 W/O SEALS	47	2010-525	4	KIT END WHEEL 10" SERVICE
8	0304-097	8	SPACER,BEARING 1.0 ID X1.5 OD X 1/8 THI	48	0702-210	4	WASHER,4.41x2.00x.104
9	0304-101	8	WHEEL,10"	49	0090-477	2	RING SNAP EXT 1.5"
10	2010-572	1	WELDMENT RAIL RT30	50	2035-471	1	CAPSCREW SOC HD 3/8-16 x 1
11	0090-204	12	WASHER BEARING	51	2035-308	1	PIN,TENSIONER,THREADED
12	0304-722	12	NUT,HEX,JAM,LOCKING,3/4-10UNC				
13	2010-142	8	HUB CAP RUBBER BONDED				
14	0304-319	8	RING,SNAP,INNER WHEEL,PLATED				
15	0702-145	2	AXLE,MACHINED,10.32				
16	0702-115	8	RING,SNAP,INT,PLATED				
17	2010-517	4	WASHER 2.58 x 1.87 x .0897				
18	2060-044	4	SEAL 1.25 x 2.635 x .591				
19	0702-106	8	BEARING,CONE				
20	0702-105	8	BEARING,CUP				
21	0702-200	4	WHEEL,10",W/HUB				
22	8102-229	1	CAPSCREW,HH 3/8-16UNCx2.5,GD8				
23	0304-003	1	TRACK,11"WIDE,PROFILE2				
24	0702-111	4	CAP,WHEEL				
25	2010-766	1	SHAFT SWING JOINT				
26	2010-593	2	BUSHING DU 1.50 x 1.66 x 1.50				
27	2010-582	1	WELDMENT REAR PIVOT JOINT				
28	2035-308	1	PIN,TENSIONER,THREADED				
29	8102-225	1	CAPSCREW,HH,3/8-16 UNCx1.5,GD8,ZN				
30	2010-587	1	TABLE CAST MOTOR MACHINED LH				
31	0700-124	9	NUT,TOPLock,1/2-13UNC,ZN,GD8				
32	0304-098	9	TOOTH,DRIVE,SPROCKET				
33	0304-806	9	TUBE,SPROCKET				
34	8102-418	9	CAPSCREW,HH,1/2-13UNCx 6.0,GD8,ZN				
35	8040-786	1	NUT,HEX,NYLOCK,3/4-10 UNC,ZN				
36	0090-317	2	NUT HEX 1.25-7 UNC JAM ZINC				
37	0090-262	1	WASHER SAFETY S33-1.25"				
38	2035-448	1	CLEVIS END TENSIONER MACHINED				
39	2010-583	1	WELDMENT LOWER TENSIONER				
40	0304-408	1	CAPSCREW,HH,3/4-10UNC3.75,GD8				

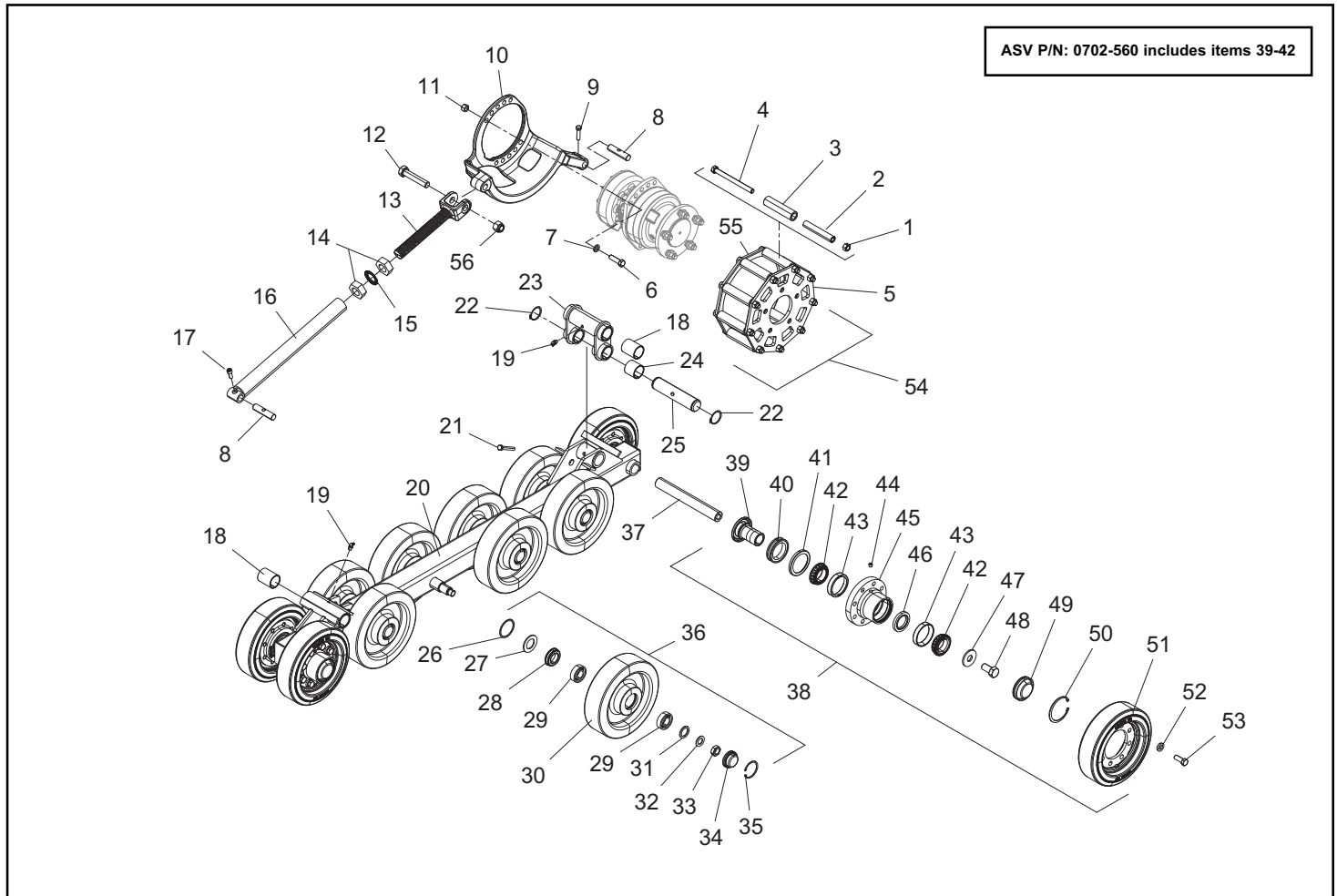


UNDERCARRIAGE ASSEMBLY LT

RT-30 valid from - 00383
RO70T valid from - 00800

Chapter 5

REF. NO.	PART NUMBER	QTY.	DESCRIPTION	REF. NO.	PART NUMBER	QTY.	DESCRIPTION
1	0700-124	9	NUT, TOPLOCK, 1/2-13UNC, ZN, GD8	41	2035-391	4	RETAINER INNER 53MM
2	0304-098	9	TOOTH, DRIVE, SPROCKET	42	0702-509	8	BEARING CONE LM5013349 PEER
3	0304-806	9	TUBE, SPROCKET	43	0702-509	8	BEARING CONE LM5013349 PEER
4	8102-418	9	CAPSCREW, HH, 1/2-13UNC x 6.0, GD8, ZN	44	2035-320	4	PLUG 1/8" NPT HEX W/SEALANT
5	2010-569	1	PLATE, SPROCKET PT30 REXROTH	45	0702-361	4	HUB 10" 8 BOLT MACHINED
6	8102-406	10	CAPSCREW, HH, 1/2-13UNC x 1.75, GD8	46	0702-368	4	SEAL LIP
7	2035-597	10	WASHER WROUGHT .531 x .886 x 0118 HARD ZN	47	2010-839	4	WASHER, HARD, 2.125 OD
8	2035-308	2	PIN, TENSIONER, THREADED	48	8102-675	4	CAPSCREW, 3/4-10UNC x 1.5, GD8, ZN
9	8102-225	1	CAPSCREW, HH, 3/8-16 UNC x 1.5, GD8, ZN	49	2010-899	4	CAP, HUB, RUBBER BONDED
10	2010-587	1	TABLE CAST MOTOR MACHINED LH	50	0702-371	4	SNAP RING .093 x .325
11	0700-124	10	NUT, TOPLOCK, 1/2-13UNC, ZN, GD8	51	2035-644	4	WHEEL 10" ALPHA BOLT ON
12	0304-408	1	CAPSCREW, HH, 3/4-10UNC x 3.75, GD8,	52	0090-136	32	WASHER HARD 1.0 X .531 X .197
13	2035-448	1	CLEVIS END TENSIONER MACHINED	53	2035-659	32	CAPSCREW HH 1/2-13 x 1.375 GR8
14	0090-317	2	NUT HEX 1.25-7 UNC JAM ZINC	54	2010-783	1	ASSEMBLY SPROCKET PT30
15	0090-262	1	WASHER SAFETY S33-1.25"	55	2010-034	1	RING, SPROCKET, 10.623
16	2010-583	1	WELDMENT LOWER TENSIONER	56	8040-786	1	NUT, HEX, NYLOCK, 3/4-10 UNC, ZN
17	2035-471	1	CAPSCREW SOC HD 3/8-16 x 1				
18	2010-065	4	BUSHING, DU, 1.50 X 1.66 X 2				
19	0304-427	2	FITTING, GREASE, 1/8 NPT x 45°				
20	2010-902	1	WLMT, RAIL, SMALL, FC, F&R				
21	8102-229	1	CAPSCREW, HH, 3/8-16UNC x 2.5, GD8				
22	0090-477	2	RING SNAP EXT 1.5"				
23	0090-477	2	RING SNAP EXT 1.5"				
24	2010-582	1	WELDMENT REAR PIVOT JOINT				
25	2010-593	2	BUSHING DU 1.50 x 1.66 x 1.50				
26	2010-766	1	SHAFT SWING JOINT				
27	0702-114	8	RING, RETAINER, INT				
28	0304-117	8	GUARD, BEARING				
29	0303-141	8	SEAL, APY, 1.250 x 2.062 x .450				
30	0302-591	16	BEARING, BALL, 6205 W/O SEALS				
31	0304-101	8	WHEEL, 10"				
32	0304-097	8	SPACER, BEARING 1.0 ID X 1.5 OD X 1/8 THICK				
33	0304-722	8	NUT, HEX, JAM, LOCKING, 3/4-10UNC				
34	2010-142	8	HUB CAP RUBBER BONDED				
35	0304-319	8	RING, SNAP, INNER WHEEL, PLATED				
36	2010-247	8	ASSY PT30 WHEEL SERVICE				
37	2010-838	2	AXLE, WHEEL, FACESEAL				
38	0702-605	4	ASSEMBLY HUB 10" W/RUBBER WHEEL				
39	0702-367	4	WLMT RETAINER 53MM				
40	2035-438	4	ASSY, SEAL, 53 MM				



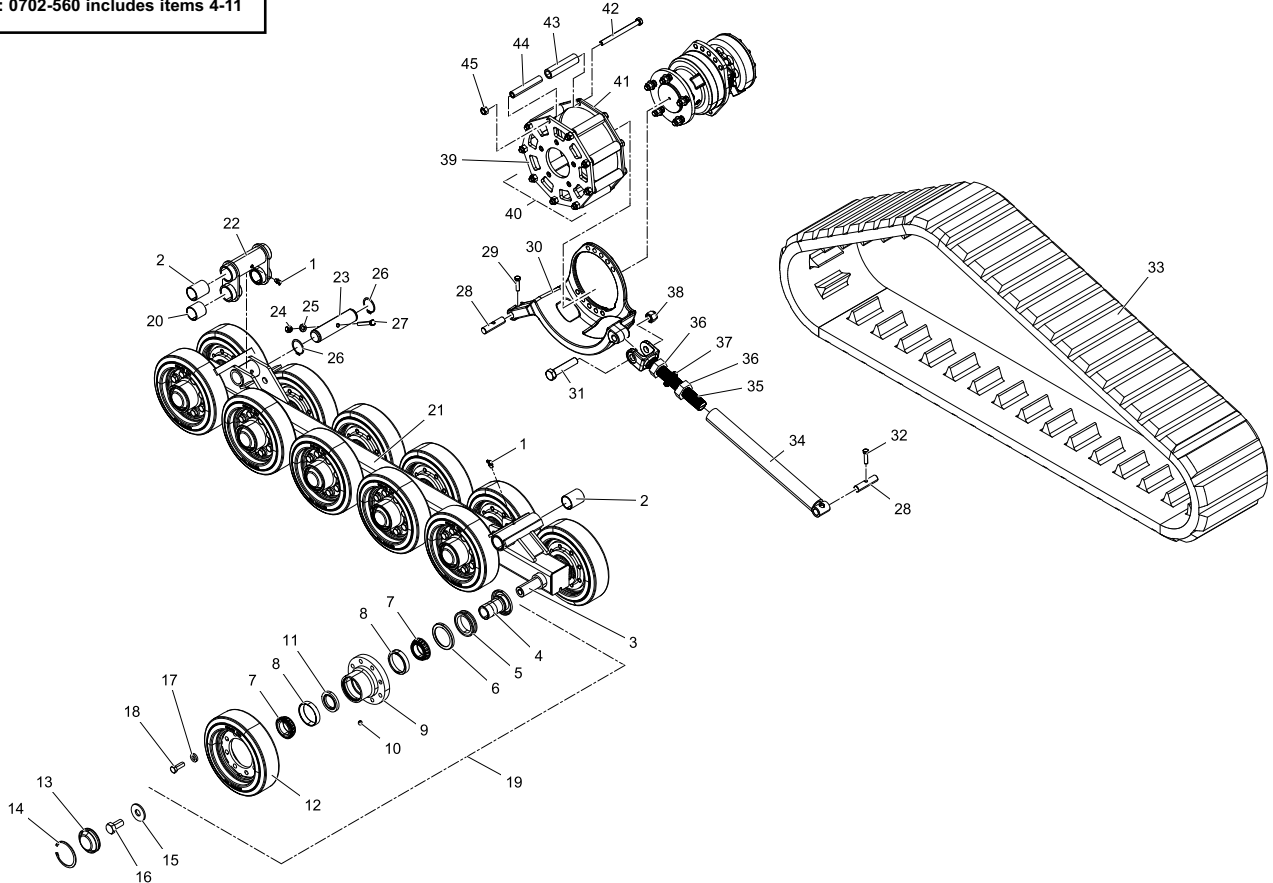
UNDERCARRIAGE OPTIONAL RT

RT-30 valid from - 00300
RO70T valid from - 00101

Chapter 5

REF. NO.	PART NUMBER	QTY.	DESCRIPTION	REF. NO.	PART NUMBER	QTY.	DESCRIPTION
1	0304-427	2	FITTING,GREASE,1/8 NPT x	41	2010-034	1	RING,SPROCKET,10.623
2	2010-065	4	BUSHING,DU,1.50X1.66X2	42	8102-418	9	CAPSCREW,HH,1/2-13UNCx 6.0,GD8,ZN
3	2010-838	6	AXLE, WHEEL, FACESEAL	43	0304-806	9	TUBE,SPROCKET
4	0702-367	12	WLMT RETAINER 53MM	44	0304-098	9	TOOTH,DRIVE,SPROCKET
5	2035-438	12	ASSY, SEAL, 53 MM	45	0700-124	9	NUT,TOPLock,1/2-13UNC,ZN,GD8
6	2035-391	12	RETAINER INNER 53MM				
7	0702-509	24	BEARING CONE LM5013349 PEER				
8	0702-508	24	BEARING CUP LM501310 PEER				
9	0702-361	12	HUB 10" 8 BOLT MACHINED				
10	2035-320	12	PLUG 1/8" NPT HEX W/SEALANT				
11	0702-368	12	SEAL LIP				
12	2035-644	12	WHEEL 10" ALPHA BOLT ON				
13	2010-899	12	CAP, HUB, RUBBER BONDED				
14	0702-371	12	SNAP RING .093 x .3.25				
15	2010-839	16	WASHER, HARD, 2.125 OD				
16	8102-675	16	CAPSCREW,3/4-10UNCx1.5,GD8,ZN				
17	0090-136	96	WASHER HARD 1.0 X .531 X .197				
18	2035-659	96	CAPSCREW HH 1/2-13 x 1.375 GR8				
19	0702-605	12	ASSEMBLY HUB 10" W/RUBBER WHEEL				
20	2010-593	2	BUSHING DU 1.50 x 1.66 x 1.50				
21	2010-834	1	WLMT, RAIL, SMALL W/ FACESEAL				
22	2010-582	1	WELDMNT REAR PIVOT JOINT				
23	2010-766	1	SHAFT SWING JOINT				
24	8042-490	1	NUT,HEX,3/8-16 UNC,GD8				
25	0090-104	1	WASHER .402 x .728 x .098 HARD				
26	0090-477	2	RING SNAP EXT 1.5"				
27	8102-229	1	CAPSCREW,HH 3/8-16UNCx2.5,GD8				
28	2035-308	1	PIN,TENSIONER,THREADED				
29	8102-225	1	CAPSCREW,HH,3/8-16 UNCx1.5,GD8,ZN				
30	2010-522	1	TABLE CAST MOTOR MACHINED RH				
31	0304-408	1	CAPSCREW,HH,3/4-10UNC3.75,GD8,				
32	2035-471	1	CAPSCREW SOC HD 3/8-16 x 1				
33	0304-003	1	TRACK,11"WIDE,PROFILE2				
34	2010-583	1	WELDMNT LOWER TENSIONER				
35	2035-448	1	CLEVIS END TENSIONER MACHINED				
36	0090-317	2	NUT HEX 1.25-7 UNC JAM ZINC				
37	0090-262	1	WASHER SAFETY S33-1.25"				
38	8040-786	1	NUT,HEX,NYLOCK,3/4-10 UNC,ZN				
39	2010-569	1	PLATE, SPROCKET PT30 REXROTH				
40	2010-783	1	ASSEMBLY SPROCKET PT30				

ASV P/N: 0702-560 includes items 4-11



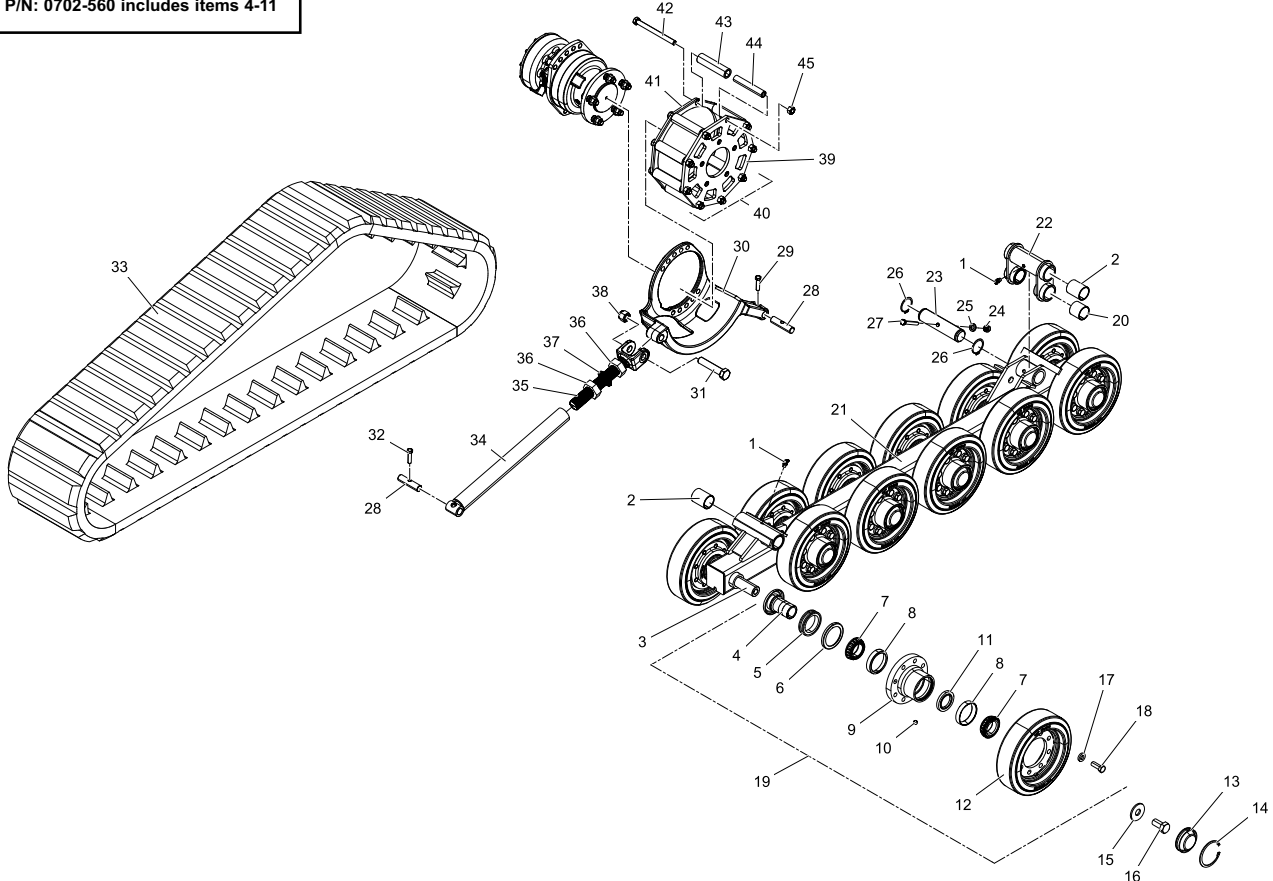
UNDERCARRIAGE OPTIONAL LT

RT-30 valid from - 00300
RO70T valid from - 00101

Chapter 5

REF. NO.	PART NUMBER	QTY.	DESCRIPTION	REF. NO.	PART NUMBER	QTY.	DESCRIPTION
1	0304-427	2	FITTING, GREASE, 1/8 NPT x	41	2010-034	1	RING, SPROCKET, 10.623
2	2010-065	4	BUSHING, DU, 1.50X1.66X2	42	8102-418	9	CAPSCREW, HH, 1/2-13UNC x 6.0, GD8, ZN
3	2010-838	6	AXLE, WHEEL, FACESEAL	43	0304-806	9	TUBE, SPROCKET
4	0702-367	12	WLMT RETAINER 53MM	44	0304-098	9	TOOTH, DRIVE, SPROCKET
5	2035-438	12	ASSY, SEAL, 53 MM	45	0700-124	9	NUT, TOPLOCK, 1/2-13UNC, ZN, GD8
6	2035-391	12	RETAINER INNER 53MM				
7	0702-509	24	BEARING CONE LM5013349 PEER				
8	0702-508	24	BEARING CUP LM501310 PEER				
9	0702-361	12	HUB 10" 8 BOLT MACHINED				
10	2035-320	12	PLUG 1/8" NPT HEX W/SEALANT				
11	0702-368	12	SEAL LIP				
12	2035-644	12	WHEEL 10" ALPHA BOLT ON				
13	2010-899	12	CAP, HUB, RUBBER BONDED				
14	0702-371	12	SNAP RING .093 x .3.25				
15	2010-839	16	WASHER, HARD, 2.125 OD				
16	8102-675	16	CAPSCREW, 3/4-10UNC x 1.5, GD8, ZN				
17	0090-136	96	WASHER HARD 1.0 X .531 X .197				
18	2035-659	96	CAPSCREW HH 1/2-13 x 1.375 GR8				
19	0702-605	12	ASSEMBLY HUB 10" W/RUBBER WHEEL				
20	2010-593	2	BUSHING DU 1.50 x 1.66 x 1.50				
21	2010-834	1	WLMT, RAIL, SMALL W/ FACESEAL				
22	2010-582	1	WELDMNT REAR PIVOT JOINT				
23	2010-766	1	SHAFT SWING JOINT				
24	8042-490	1	NUT, HEX, 3/8-16 UNC, GD8				
25	0090-104	1	WASHER .402 x .728 x .098 HARD				
26	0090-477	2	RING SNAP EXT 1.5"				
27	8102-229	1	CAPSCREW, HH 3/8-16UNC x 2.5, GD8				
28	2035-308	1	PIN, TENSIONER, THREADED				
29	8102-225	1	CAPSCREW, HH, 3/8-16 UNC x 1.5, GD8, ZN				
30	2010-587	1	TABLE CAST MOTOR MACHINED LH				
31	0304-408	1	CAPSCREW, HH, 3/4-10UNC x 3.75, GD8,				
32	2035-471	1	CAPSCREW SOC HD 3/8-16 x 1				
33	0304-003	1	TRACK, 11" WIDE, PROFILE 2				
34	2010-583	1	WELDMNT LOWER TENSIONER				
35	2035-448	1	CLEVIS END TENSIONER MACHINED				
36	0090-317	2	NUT HEX 1.25-7 UNC JAM ZINC				
37	0090-262	1	WASHER SAFETY S33-1.25"				
38	8040-786	1	NUT, HEX, NYLOCK, 3/4-10 UNC, ZN				
39	2010-569	1	PLATE, SPROCKET PT30 REXROTH				
40	2010-783	1	ASSEMBLY SPROCKET PT30				

ASV P/N: 0702-560 includes items 4-11



Chapter 6

Mainframe

6-1 Chassis

RT-30 Serial # 00300 - 07434	6-1A
R070T Serial # 00101 - 07434	6-1A
RT-30 Serial # 07435 - 07789	6-1B
R070T Serial # 07435 - 07789	6-1B
RT-30 Serial # valid from - 07790	6-1C
R070T Serial # valid from - 07790	6-1C

6-1 Plastic Fuel Tank

RT-30 Serial # 00378 ONLY	6-1B
R070T Serial # 00756 ONLY	6-1B

6-2 Hood Assembly

RT-30 Serial # valid from - 00300	6-2A
R070T Serial # valid from - 00101	6-2A

- * **Parts manuals are updated on a regular basis. Always refer to the current online version to ensure you have the most up to date information prior to ordering parts.**

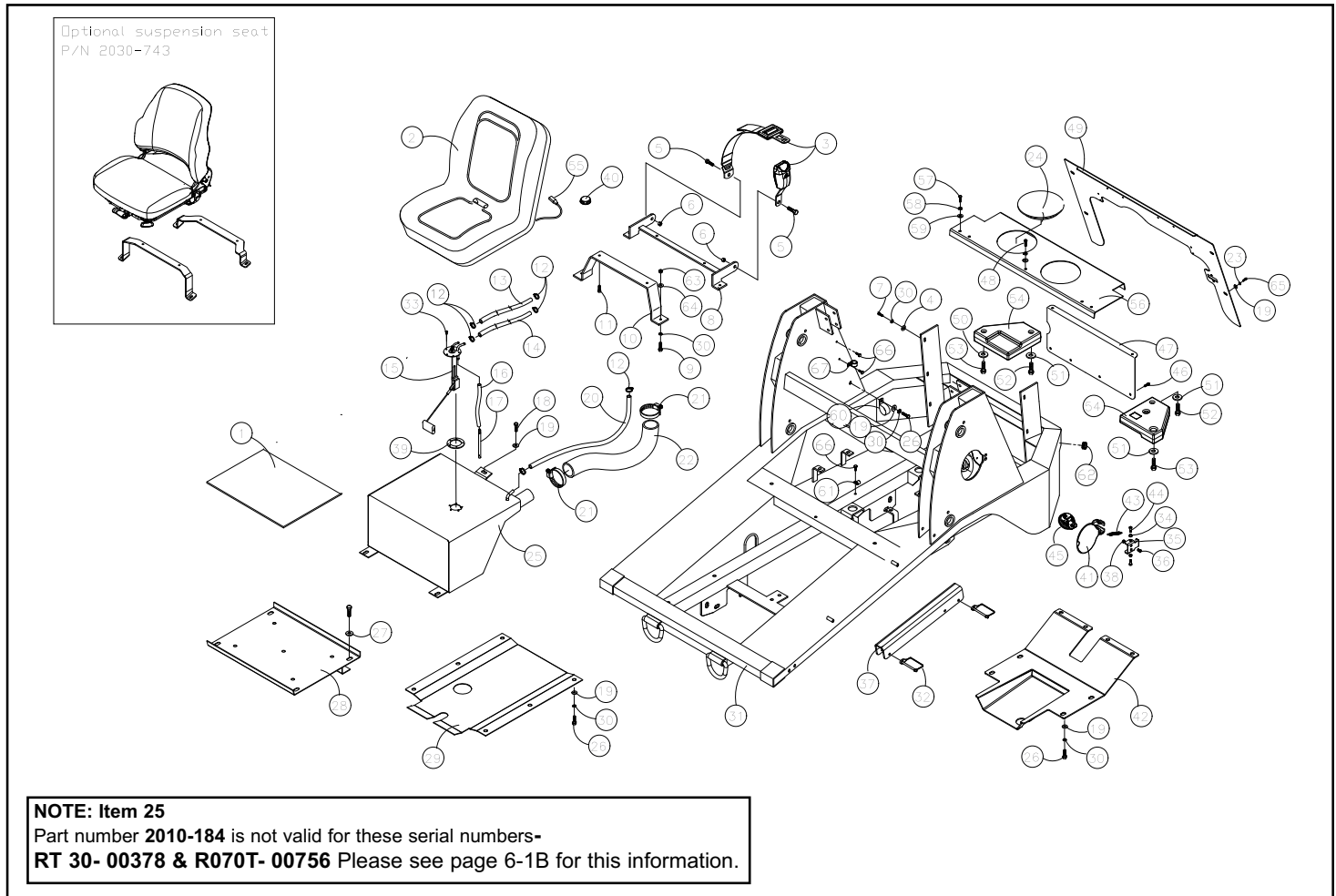
NOTE: Ordering parts that are painted requires a specific part number format. Please refer to page II of this manual for paint code and ordering information.

CHASSIS ASSEMBLY

RT-30 00300 - 07434
R070T 00101 - 07434

Chapter 6

REF. NO.	PART NUMBER	QTY.	DESCRIPTION	REF. NO.	PART NUMBER	QTY.	DESCRIPTION
1	2010-181	1	MAT FLOOR	41	2030-317	1	DOOR, FUEL
2	0304-045	1	SEAT	42	2010-107	1	PLATE,SKID,REAR
3	2076-409	1	BELT,SEAT 2" RETRACTABLE	43	2030-320	1	SPRING EXTENSION 2.36"
4	8050-282	6	WASHER,WROUGHT,3/8,STD,ZN	44	0090-137	2	SCREW SHOULDER-HSH 5/16-18 X 1.00
5	8102-404	6	CAPSCREW,HH 1/2-13UNCx1.25 GD8	45	2045-407	1	CAP FUEL GREEN
6	8040-606	8	NUT,HEX,NYLOCK,1/2-13 UNC,ZN	46	8102-128	7	CAPSCREW,HH 5/16-18UNCx7/8 GR8 ZN
7	8102-224	6	CAPSCREW,HH,3/8-16UNCx1.25,GD8	47	0304-241	1	SCREEN,BACK
8	0304-206	1	WLMT,MNT,SEAT,REAR	48	8102-039	3	CAPSCREW,HH,1/4-20UNCx.625,GD8
9	0200-390	4	CAPSCREW,HH,3/8-16x1.75",GD8	49	2010-457	1	SURROUND, ENGINE
10	2010-434	1	MOUNT SEAT FRONT	50	8050-342	1	WASHER,WROUGHT,1/2,ZN
11	8102-130	2	CAPSCREW,HH 5/16-18x3/4,GR8	51	8050-347	3	WASHER,WROUGHT,1/2,STD,ZN
12	0315-100	6	CLAMP,HOSE,#4	52	8102-412	2	CAPSCREW,HH 1/2-13UNCx3.25
13	0200-700	1	HOSE, FUEL, RLA, 3/16 ID	53	8102-409	2	CAPSCREW,HH,1/2-13 UNCx2.5,GD8
14	0304-510	1	HOSE,FUEL,5/16x34"	54	2010-466	2	WEIGHT REAR
15	2010-887	1	ASSY SENDING UNIT	55	0304-662	1	HARNESSE,SEAT
16	0304-447	1	HOSE,7/16X5/16POLY,1.30FT	56	2030-583	1	COVER FIREWALL
17	0301-375	1	WEIGHT,IN-TANK	57	8102-044	4	CAPSCREW,HH,1/4-20UNCx1.25,GD8,ZN
18	8102-130	1	CAPSCREW,HH 5/16-18x3/4,GR8	58	8051-212	2	WASHER,SPRING LOCK,1/4,ZN
19	8050-262	20	WASHER,WROUGHT,5/16,STD,ZN	59	8050-221	5	WASHER,FLAT,1/4,SAE
20	0200-367	1	HOSE,FUEL,VENT,3/8IDx30.00"	60	0090-534	1	CLAMP
21	0303-096	2	CLAMP,HOSE	61	0310-465	2	CLAMP,WIRE,5/8,RBC-5/8
22	2010-950	1	HOSE FILL DIESEL FUEL	62	0090-623	2	PLUG RIBBED 1.21" -1.3" ID
23	8051-242	4	WASHER,SPRING LOCK,5/16,ZN	63	0402-263	4	NUT,HEX,NYLOCK5/16-18,INSERT/C
24	0200-437	2	PLUG,HOLE,6"	64	8050-247	4	WASHER,WROUGHT,5/16,SAE,ZN
25	2010-184	1	WLMT FUEL TANK	65	8102-128	4	CAPSCREW,HH 5/16-18UNCx7/8 GR8
26	8102-222	19	CAPSCREW,HH,3/8-16 UNCx1.0,GD8	66	0302-537	5	SCREW,HWH,TAPPING,5/16-18x3/4,
27	0300-980	4	WASHER,1.447 x .406 x .125	67	0310-467	8	CLAMP,WIRE,1.0,RBC-1
28	2010-559	1	WLMT FLOOR PAN				
29	0304-198	1	PLATE,SKID,CENTER				
30	8051-272	25	WASHER,SPRING LOCK,3/8,ZN				
31	2010-178	1	WLMT,CHASSIS,RT-30 (WHITE)				
32	0201-477	2	CPIN,LOCKING,D-RING,3.00"				
33	0304-157	5	SCREW,ORING,3/16-32x1/2,STAINL				
34	0090-139	2	BUSHING PLASTIC .5 OD X .38 ID				
35	2030-315	1	MOUNT,DOOR,FUEL				
36	0090-138	2	SCREW CAP HSFH 5/16-18 X .75 BLK ZC				
37	2010-443	1	STOP LOADER				
38	0090-003	2	NUT,WELD,HEX,5/16-18				
39	0304-617	1	GASKET,TANK,FUEL				
40	2010-127	1	SWITCH,SEAT (TWIST IN STYLE)				

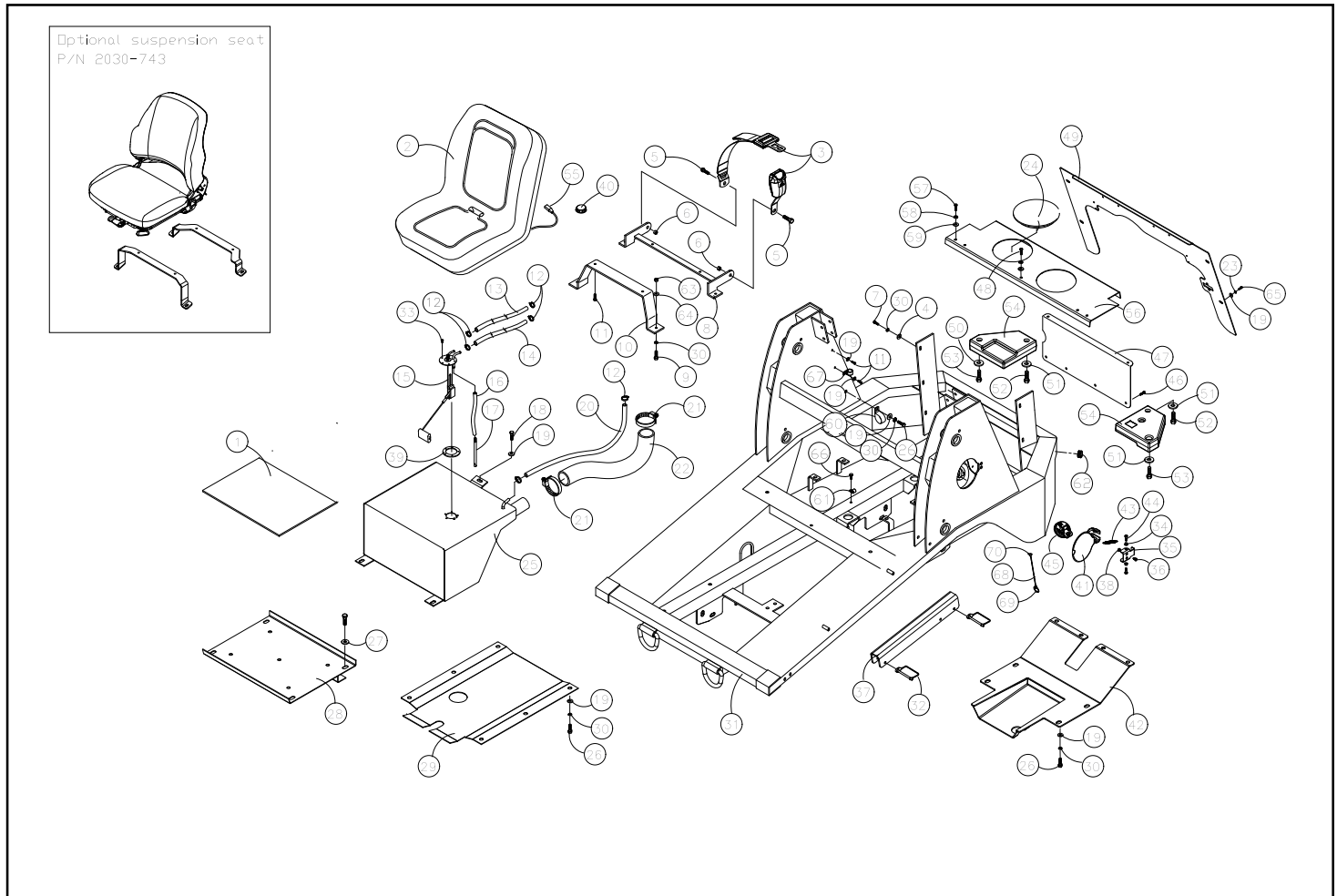


CHASSIS ASSEMBLY

RT-30 07435 - 07789
RO70T 07435 - 07789

Chapter 6

REF. NO.	PART NUMBER	QTY.	DESCRIPTION	REF. NO.	PART NUMBER	QTY.	DESCRIPTION
1	2010-181	1	MAT FLOOR	41	2030-317	1	DOOR, FUEL
2	0304-045	1	SEAT	42	2010-107	1	PLATE,SKID,REAR
3	2076-409	1	BELT,SEAT 2" RETRACTABLE	43	2030-320	1	SPRING EXTENSION 2.36"
4	8050-282	6	WASHER,WROUGHT,3/8,STD,ZN	44	0090-137	2	SCREW SHOULDER-HSH 5/16-18 X 1.00
5	8102-404	6	CAPSCREW,HH 1/2-13UNCx1.25 GD8	45	2045-407	1	CAP FUEL GREEN
6	8040-606	8	NUT,HEX,NYLOCK,1/2-13 UNC,ZN	46	8102-128	7	CAPSCREW,HH 5/16-18UNCx7/8 GR8 ZN
7	8102-224	6	CAPSCREW,HH,3/8-16UNCx1.25,GD8	47	0304-241	1	SCREEN,BACK
8	0304-206	1	WLMT,MNT,SEAT,REAR	48	8102-039	3	CAPSCREW,HH,1/4-20UNCx.625,GD8
9	0200-390	4	CAPSCREW,HH,3/8-16x1.75",GD8	49	2010-457	1	SURROUND, ENGINE
10	2010-434	1	MOUNT SEAT FRONT	50	8050-342	1	WASHER,WROUGHT,1/2,ZN
11	8102-130	2	CAPSCREW,HH 5/16-18x3/4,GR8	51	8050-347	3	WASHER,WROUGHT,1/2,STD,ZN
12	0315-100	6	CLAMP,HOSE,#4	52	8102-412	2	CAPSCREW,HH 1/2-13UNCx3.25
13	0200-700	1	HOSE, FUEL, RLA, 3/16 ID	53	8102-409	2	CAPSCREW,HH,1/2-13 UNCx2.5,GD8
14	0304-510	1	HOSE,FUEL,5/16x34"	54	2010-466	2	WEIGHT REAR
15	2010-887	1	ASSY SENDING UNIT	55	0304-662	1	HARNES,SEAT
16	0304-447	1	HOSE,7/16X5/16POLY,1.30FT	56	2030-583	1	COVER FIREWALL
17	0301-375	1	WEIGHT,IN-TANK	57	8102-044	4	CAPSCREW,HH,1/4-20UNCx1.25,GD8,ZN
18	8102-130	1	CAPSCREW,HH 5/16-18x3/4,GR8	58	8051-212	2	WASHER,SPRING LOCK,1/4,ZN
19	8050-262	20	WASHER,WROUGHT,5/16,STD,ZN	59	8050-221	5	WASHER,FLAT,1/4,SAE
20	0200-367	1	HOSE,FUEL,VENT,3/8IDx30.00"	60	0090-534	1	CLAMP
21	0303-096	2	CLAMP,HOSE	61	0310-465	2	CLAMP,WIRE,5/8,RBC-5/8
22	2010-950	1	HOSE FILL DIESEL FUEL	62	0090-623	2	PLUG RIBBED 1.21" -1.3" ID
23	8051-242	4	WASHER,SPRING LOCK,5/16,ZN	63	0402-263	4	NUT,HEX,NYLOCK5/16-18,INSERT/C
24	0200-437	2	PLUG,HOLE,6"	64	8050-247	4	WASHER,WROUGHT,5/16,SAE,ZN
25	2010-184	1	WLMT FUEL TANK	65	8102-128	4	CAPSCREW,HH 5/16-18UNCx7/8 GR8
26	8102-222	19	CAPSCREW,HH,3/8-16 UNCx1.0,GD8	66	0302-537	5	SCREW,HWH,TAPPING,5/16-18x3/4,
27	0300-980	4	WASHER,1.447 x .406 x .125	67	0310-467	8	CLAMP,WIRE,1.0,RBC-1
28	2010-559	1	WLMT FLOOR PAN	68	2047-041	1	TETHER
29	0304-198	1	PLATE,SKID,CENTER	69	0304-551	1	RING,KEY 90177A219
30	8051-272	25	WASHER,SPRING LOCK,3/8,ZN	70	0090-730	1	PLUG, 1/4" STEM DIA, BLACK FENDER, 3/4" LONG
31	2010-178	1	WLMT,CHASSIS,RT-30 (WHITE)				
32	0201-477	2	CPIN,LOCKING,D-RING,3.00"				
33	0304-157	5	SCREW,ORING,3/16-32x1/2,STAINL				
34	0090-139	2	BUSHING PLASTIC .5 OD X .38 ID				
35	2030-315	1	MOUNT,DOOR,FUEL				
36	0090-138	2	SCREW CAP HSFH 5/16-18 X .75 BLK ZC				
37	2010-443	1	STOP LOADER				
38	0090-003	2	NUT,WELD,HEX,5/16-18				
39	0304-617	1	GASKET,TANK,FUEL				
40	2010-127	1	SWITCH,SEAT (TWIST IN STYLE)				

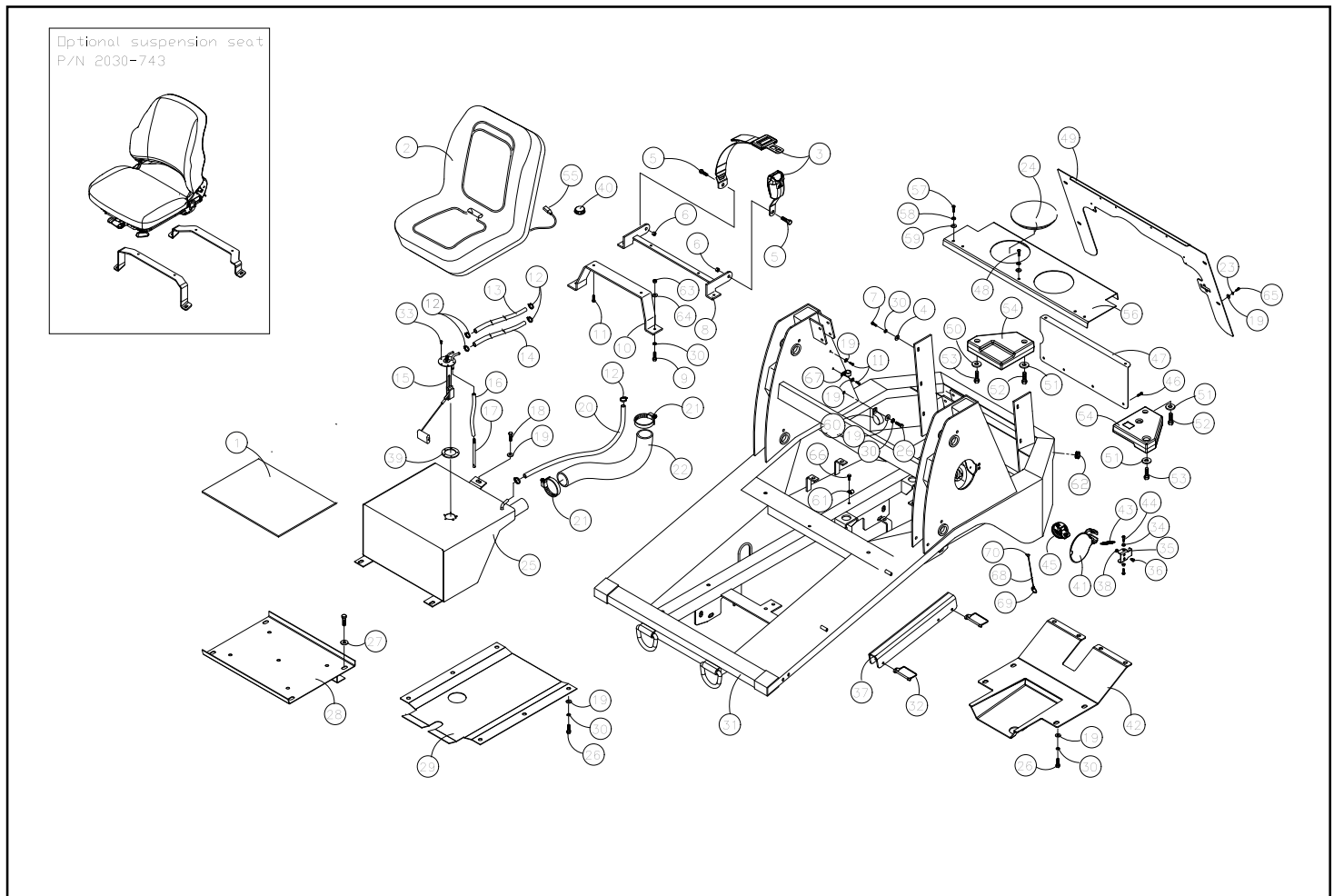


CHASSIS ASSEMBLY

RT-30 / R070T - valid from 07790

Chapter 6

REF. NO.	PART NUMBER	QTY.	DESCRIPTION	REF. NO.	PART NUMBER	QTY.	DESCRIPTION
1	2010-181	1	MAT FLOOR	41	2030-317	1	DOOR, FUEL
2	0304-045	1	SEAT	42	2010-107	1	PLATE,SKID,REAR
3	2076-409	1	BELT,SEAT 2" RETRACTABLE	43	2030-320	1	SPRING EXTENSION 2.36"
4	8050-282	6	WASHER,WROUGHT,3/8,STD,ZN	44	0090-137	2	SCREW SHOULDER-HSH 5/16-18 X 1.00
5	8102-404	6	CAPSCREW,HH 1/2-13UNCx1.25 GD8	45	2045-407	1	CAP FUEL GREEN
6	8040-606	8	NUT,HEX,NYLOCK,1/2-13 UNC,ZN	46	8102-128	7	CAPSCREW,HH 5/16-18UNCx7/8 GR8 ZN
7	8102-224	6	CAPSCREW,HH,3/8-16UNCx1.25,GD8	47	0304-241	1	SCREEN,BACK
8	0304-206	1	WLMT,MNT,SEAT,REAR	48	8102-039	3	CAPSCREW,HH,1/4-20UNCx.625,GD8
9	0200-390	4	CAPSCREW,HH,3/8-16x1.75",GD8	49	2010-457	1	SURROUND, ENGINE
10	2010-434	1	MOUNT SEAT FRONT	50	8050-342	1	WASHER,WROUGHT,1/2,ZN
11	8102-130	2	CAPSCREW,HH 5/16-18x3/4,GR8	51	8050-347	3	WASHER,WROUGHT,1/2,STD,ZN
12	0315-100	6	CLAMP,HOSE,#4	52	8102-412	2	CAPSCREW,HH 1/2-13UNCx3.25
13	0200-700	1	HOSE, FUEL, RLA, 3/16 ID	53	8102-409	2	CAPSCREW,HH,1/2-13 UNCx2.5,GD8
14	0304-510	1	HOSE,FUEL,5/16x34"	54	2010-466	2	WEIGHT REAR
15	2010-887	1	ASSY SENDING UNIT	55	0304-662	1	HARNESSE,SEAT
16	0304-447	1	HOSE,7/16X5/16POLY,1.30FT	56	2030-583	1	COVER FIREWALL
17	0301-375	1	WEIGHT,IN-TANK	57	8102-044	4	CAPSCREW,HH,1/4-20UNCx1.25,GD8,ZN
18	8102-130	1	CAPSCREW,HH 5/16-18x3/4,GR8	58	8051-212	2	WASHER,SPRING LOCK,1/4,ZN
19	8050-262	20	WASHER,WROUGHT,5/16,STD,ZN	59	8050-221	5	WASHER,FLAT,1/4,SAE
20	0200-367	1	HOSE,FUEL,VENT,3/8IDx30.00"	60	0090-534	1	CLAMP
21	0303-096	2	CLAMP,HOSE	61	0310-465	2	CLAMP,WIRE,5/8,RBC-5/8
22	2010-950	1	HOSE FILL DIESEL FUEL	62	0090-623	2	PLUG RIBBED 1.21" -1.3" ID
23	8051-242	4	WASHER,SPRING LOCK,5/16,ZN	63	0402-263	4	NUT,HEX,NYLOCK5/16-18,INSERT/C
24	0200-437	2	PLUG,HOLE,6"	64	8050-247	4	WASHER,WROUGHT,5/16,SAE,ZN
25	2010-970	1	WLMT FUEL TANK	65	8102-128	4	CAPSCREW,HH 5/16-18UNCx7/8 GR8
26	8102-222	19	CAPSCREW,HH,3/8-16 UNCx1.0,GD8	66	0302-537	5	SCREW,HWH,TAPPING,5/16-18x3/4,
27	0300-980	4	WASHER,1.447 x .406 x .125	67	0310-467	8	CLAMP,WIRE,1.0,RBC-1
28	2010-559	1	WLMT FLOOR PAN	68	2047-041	1	TETHER
29	0304-198	1	PLATE,SKID,CENTER	69	0304-551	1	RING,KEY 90177A219
30	8051-272	25	WASHER,SPRING LOCK,3/8,ZN	70	0090-730	1	PLUG, 1/4" STEM DIA, BLACK FENDER, 3/4" LONG
31	2010-178	1	WLMT,CHASSIS,RT-30 (WHITE)				
32	0201-477	2	CPIN,LOCKING,D-RING,3.00"				
33	0304-157	5	SCREW,ORING,3/16-32x1/2,STAINL				
34	0090-139	2	BUSHING PLASTIC .5 OD X .38 ID				
35	2030-315	1	MOUNT,DOOR,FUEL				
36	0090-138	2	SCREW CAP HSFH 5/16-18 X .75 BLK ZC				
37	2010-443	1	STOP LOADER				
38	0090-003	2	NUT,WELD,HEX,5/16-18				
39	0304-617	1	GASKET,TANK,FUEL				
40	2010-127	1	SWITCH,SEAT (TWIST IN STYLE)				

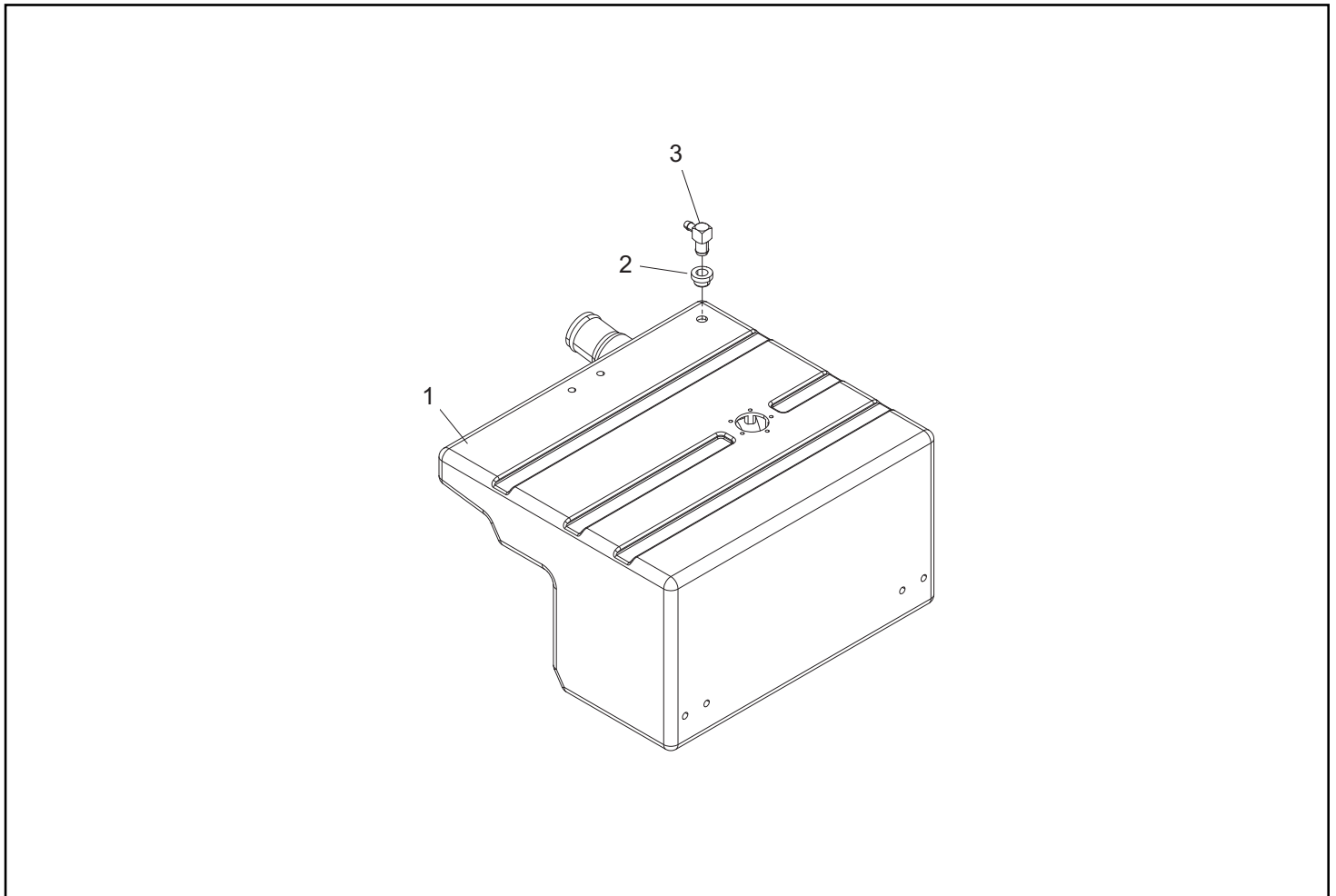


PLASTIC FUEL TANK

RT-30 00378 ONLY
RO70T 00756 ONLY

Chapter 6

REF. NO.	PART NUMBER	QTY.	DESCRIPTION	REF. NO.	PART NUMBER	QTY.	DESCRIPTION
1	2010-476	1	TANK FUEL				
2	0090-101	1	GROMMET RUBBER LG 1/2" FUEL				
3	0090-501	1	ADAPTER, INSERT, 3/8", 90°				

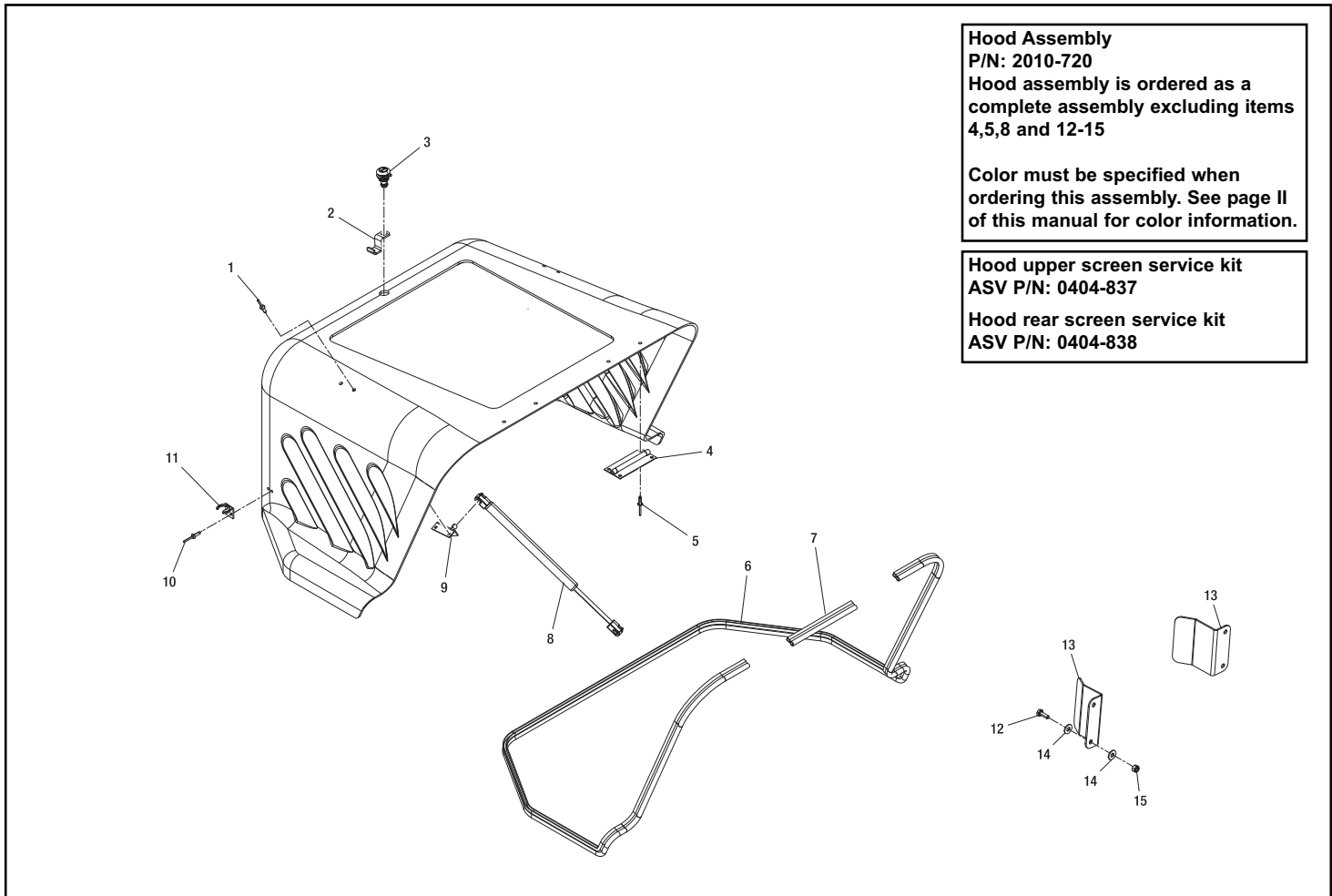


HOOD ASSEMBLY

RT-30 valid from - 00300
RO70T valid from - 00101

Chapter 6

REF. NO.	PART NUMBER	QTY.	DESCRIPTION	REF. NO.	PART NUMBER	QTY.	DESCRIPTION
1	8061-648	4	RIVET,LARGE HEAD,3/16 x .575 A				
2	2010-196	1	PAWL LOCK				
3	2030-387	1	LOCK SOUTHCO				
4	2010-728	2	HINGE,DETACHABLE				
5	8060-728	4	RIVET,BLIND 3/16X.126-.250 Grip Range Stainless				
6	2010-754	1	TRIM LONG HOOD				
7	2010-753	1	TRIM SHORT HOOD				
8	0200-232	2	SPRING,GAS ASSIST				
9	0314-528	2	MOUNT GAS SPRING BALL 10MM				
10	0090-459	4	RIVET BLIND - 3/16 DIA- RANGE .251" - .375"				
11	0403-977	2	KEEPER				
12	8402-040	4	CAPSCREW,HH,1/4-20 UNCx.75,GD8 ZN				
13	2010-764	2	DEFLECTOR HOOD				
14	8050-222	8	WASHER,WROUGHT,1/4,STD,ZN				
15	8040-366	4	NUT,HEX,NYLOCK,1/4-20 UNC,ZN				



Hood Assembly
P/N: 2010-720
Hood assembly is ordered as a complete assembly excluding items 4,5,8 and 12-15

Color must be specified when ordering this assembly. See page II of this manual for color information.

Hood upper screen service kit
ASV P/N: 0404-837
Hood rear screen service kit
ASV P/N: 0404-838

Chapter 7

Cab / Heating

7-1 Cab

RT-30 Serial # valid from - 00300.7-1A

R070T Serial # valid from - 00101.7-1A

7-2 Enclosed Cab

RT-30 Serial # valid from - 00300.7-2A

R070T Serial # valid from - 00101.7-2A

7-3 Heater

RT-30 Serial # valid from - 00300.7-3A

R070T Serial # valid from - 00101.7-3A

- * **Parts manuals are updated on a regular basis. Always refer to the current online version to ensure you have the most up to date information prior to ordering parts.**

NOTE: Ordering parts that are painted requires a specific part number format. Please refer to page II of this manual for paint code and ordering information.

CAB (R.O.P.S.) ASSEMBLY

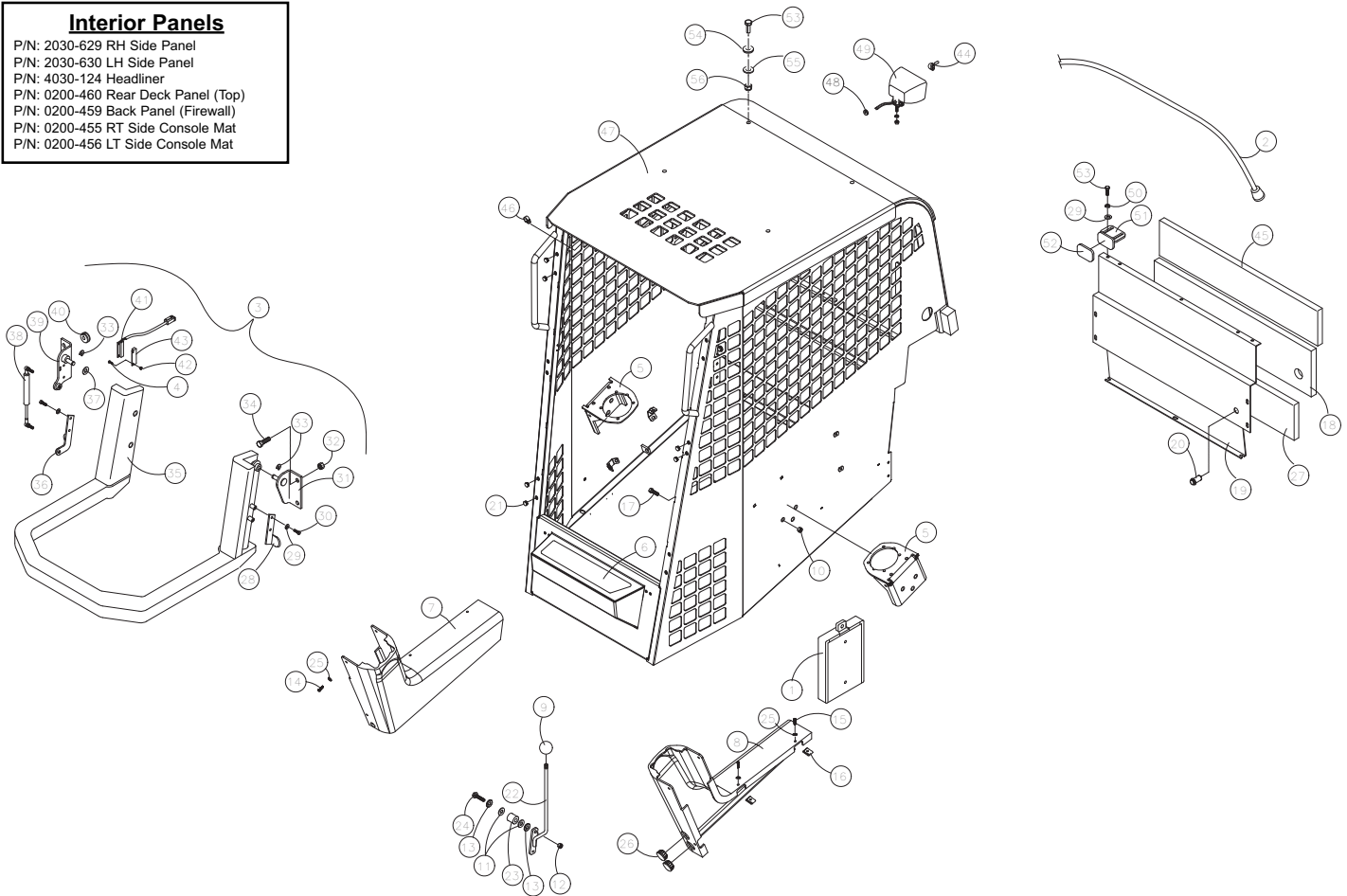
RT-30 valid from - 00300
RO70T valid from - 00101

Chapter 7

REF. NO.	PART NUMBER	QTY.	DESCRIPTION	REF. NO.	PART NUMBER	QTY.	DESCRIPTION
1	0304-318	1	BOX,OWNERS MANUAL	41	0304-473	1	SENSOR,SWITCH,LAPBAR
2	2010-688	1	HARNESS CAB RT30 PWR ACT	42	0310-308	4	NUT,HEX,NYLOCK 4-40,91831A005
3	0304-019	1	ASSY,LAP BAR	43	0412-036	1	BRACKET LAP BAR ACTIVATION SWITCH
4	0310-307	4	SCREW,MACHINE,4-40x.50 92314A110	44	0302-112	1	BULB,HALOGEN
5	0200-600	2	MNTS JOYSTICK	45	0200-290	1	INSULATION,TOP
6	0304-496	1	PAD,SKID	46	0090-172	5	TIE CABLE TREE MOUNT 50 LB
7	0200-588	1	CONSOLE RH	47	2030-511	1	ROPS RT30/50/60
8	0200-587	1	CONSOLE LH	48	0301-637	1	GROMMET (1840)
9	0302-546	1	KNOB,PLASTIC,1-7/8 DIA,1/2-13	49	2030-672	1	LIGHT,REAR
10	0314-269	6	NUT,FLANGE,TOPLK,3/8-16UNC,GDG,ZN	50	8051-212	5	WASHER,SPRING LOCK,1/4,ZN
11	0303-071	2	WASHER,NYLON,BLACK,1" OD	51	0200-320	2	WLMT,STOP LAP BAR
12	8040-486	1	NUT,HEX,NYLOCK,3/8-16 UNC,ZN	52	0200-321	2	PAD,RUBBER,W/ADHESIVE
13	0303-099	2	WASHER,STAR,3/8,INT/EXT TOOTH	53	8102-040	4	CAPSCREW,HH,1/4-20 UNCx.75,GD8 ZN
14	0304-485	4	SCREW,MACH,10-24x3/4,STAINLESS	54	0090-325	4	WASHER 3/4"-5/16" RUBBER BONDED
15	0090-165	4	SCREW MACHINE #10-24 X 1-1/4" ZN	55	8050-222	4	WASHER,WROUGHT,1/4,STD,ZN
16	0090-163	4	NUT U 10-24 UNC	56	8040-366	4	NUT,HEX,NYLOCK,1/4-20 UNC,ZN
17	8102-222	6	CAPSCREW,HH,3/8-16 UNCx1.0,GD8,ZN				
18	0200-291	1	INSULATION,MIDDLE				
19	2030-520	1	PLATE,FIREWALL				
20	0200-264	1	HOUSING,POWER SOURCE				
21	0304-579	6	PLUG,HOLE,PLASTIC,5/16				
22	0201-549	1	WLMT,LEVER,THROTTLE				
23	0304-501	1	TUBING, SPACER				
24	8011-227	1	BOLT,CARRIAGE,3/8-16 UNC x 2.0				
25	0090-012	8	WASHER FINISHING #10 SS				
26	2045-510	2	PLUG HOLE 1.375" P				
27	0200-292	1	INSULATION,BOTTOM				
28	0304-466	1	STOP,LAPBAR				
29	8050-240	4	WASHER,STAINLESS,1/4",MS				
30	0304-465	4	CAPSCREW,HH,M6-1.0x16mm				
31	0304-467	1	BRKT,LAPBAR				
32	8040-606	4	NUT,HEX,NYLOCK,1/2-13 UNC,ZN				
33	0304-468	2	RING,SNAP,LAPBAR				
34	8102-404	4	CAPSCREW,HH 1/2-13UNCx1.25 GD8				
35	8102-044	5	CAPSCREW,HH,1/4-20UNCx1.25,GD8				
36	0304-470	1	MNT,LAPBAR				
37	0304-477	2	SPACER,LAPBAR				
38	0304-471	2	SPRING,GAS,ASSIST				
39	0304-472	1	MNT,LAPBAR,SWITCH				
40	0304-476	1	GROMMET,RUBBER				

Interior Panels

P/N: 2030-629 RH Side Panel
P/N: 2030-630 LH Side Panel
P/N: 4030-124 Headliner
P/N: 0200-460 Rear Deck Panel (Top)
P/N: 0200-459 Back Panel (Firewall)
P/N: 0200-455 RT Side Console Mat
P/N: 0200-456 LT Side Console Mat

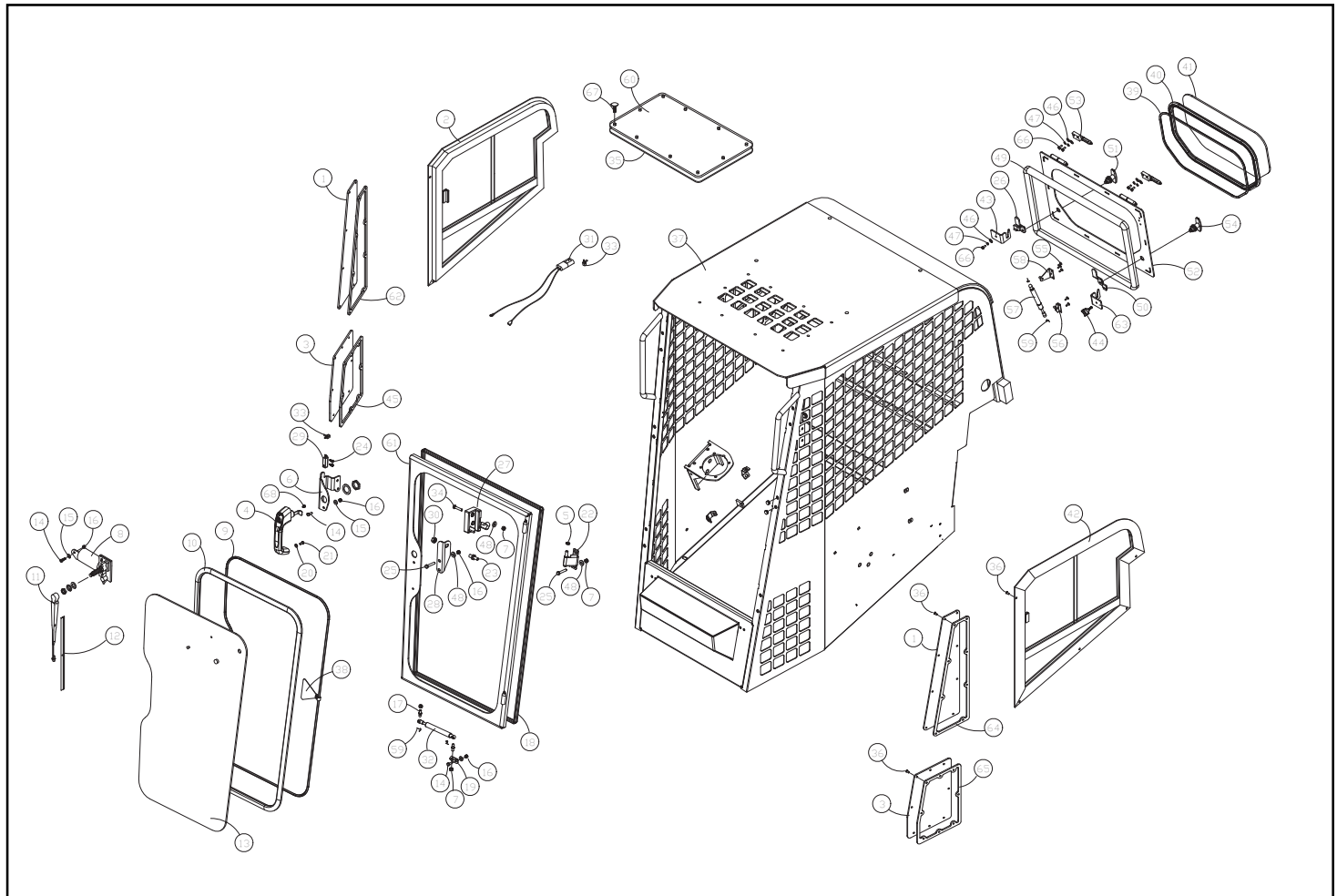


ENCLOSED CAB (R.O.P.S.) ASSEMBLY

RT-30 valid from - 00300
RO70T valid from - 00101

Chapter 7

REF. NO.	PART NUMBER	QTY.	DESCRIPTION	REF. NO.	PART NUMBER	QTY.	DESCRIPTION
1	0403-762	2	WINDOW UPPER CORNER	41	0403-842	1	WINDOW REAR
2	0402-769	1	GLASS,SLIDER,SINGLE,RH	42	0402-758	1	GLASS,SLIDER,SINGLE,LH
3	4010-125	2	PANEL PLASTIC LOWER SCREENS	43	0403-854	1	CATCH WINDOW RH
4	2075-406	1	HANDLE PUSH BUTTON	44	0090-304	1	KNOB STAR 1.75" RED
5	0403-503	2	BUSHING,HINGE	45	0403-767	1	SEAL RH UPPER WINDOW
6	2075-409	1	MOUNT DOOR LATCH	46	8050-222	5	WASHER,WROUGHT,1/4,STD,ZN
7	8040-426	8	NUT,HEX,NYLOCK,5/16-18 UNC,ZN	47	8051-212	5	WASHER,SPRING LOCK,1/4,ZN
8	0304-619	1	MOTOR,WIPER,85°	48	8050-262	8	WASHER,WROUGHT,5/16,STD,ZN
9	0310-495	12'	STRIP,LOCK	49	0090-055	7'	SEAL BULB 1.00 x 1.00
10	0304-674	1	SEAL_WINDOW,10FT	50	0403-847	1	LATCH ARM LH
11	0402-243	1	ARM,WIPER,15-19"	51	0403-913	1	T-HANDLE NON LOCKING
12	0304-557	1	BLADE,FLAT,14"	52	0403-845	1	WLMT FRAME WINDOW REAR
13	4030-106	1	WINDOW DOOR RT30/60 CE	53	0403-850	2	HINGE REAR WINDOW MALE
14	8102-040	4	CAPSCREW,HH,1/4-20 UNCx.75,GD8	54	0403-846	1	T-HANDLE LOCKING
15	8050-222	4	WASHER,WROUGHT,1/4,STD,ZN	55	8060-731	5	RIVET,ALUMINUM,3/16x.575
16	8040-426	2	NUT,HEX,NYLOCK,5/16-18 UNC,ZN	56	0314-528	1	MOUNT,SHOCK,90°
17	0304-495	2	STUD,BALL,10MM STUD	57	2045-503	1	SPRING GAS ASSIST
18	0090-123	11'	TRIM,CAB	58	0200-552	1	MNT,BRACKET,BALLSTUD
19	2030-348	1	MOUNT SPRING	59	0200-545	4	CLIP,SAFETY,GAS SPRING
20	8050-240	1	WASHER,STAINLESS,1/4",MS	60	0200-606	1	PANEL ROOF LEXAN
21	0304-486	1	CAPSCREW,HH,M6-1.0x14	61	0403-478	1	WLMT,DOOR,W/HINGES (SEE NOTE)
22	0403-481	2	ASSY HINGE DOOR CAST LH	62	0403-766	1	SEAL LH UPPER WINDOW
23	2075-408	1	STRIKE	63	0403-853	1	CATCH WINDOW LH
24	0090-059	2	SCREW MACHINE #10 x .63 PH SELF DRILLING	64	0403-764	1	SEAL LH UPPER WINDOW
25	8102-136	6	CAPSCREW,HH,5/16-18x1.75 ZN GD	65	0403-765	1	SEAL LH LOWER WINDOW
26	0403-848	1	LATCH ARM RH	66	8102-039	5	CAPSCREW,HH,1/4-20UNCx.625,GD8
27	2075-407	1	HANDLE INSIDE	67	0090-347	10	SCREW TH PH 1/4-20 X 1.25 ZN
28	2075-416	1	MOUNT STRIKE	68	0090-622	1	MACH, PH PAN HD, M6-1.0 X 10MM CLR ZNC
29	0403-896	1	SWITCH DOOR PUSH BUTTON				
30	0090-135	1	NUT NYLOCK M12 X 1.0 ZC				
31	0304-573	1	HARNES,WIPER,B				
32	0403-630	1	SPRING DAMPENED DOOR				
33	0090-167	4	TIE CABLE MOUNT				
34	8102-135	2	CAPSCREW,HH,5/16-18X1.50ZN,GD8				
35	0200-607	1	SEAL PANEL ROOF				
36	8102-042	32	CAPSCREW, HH 1/4-20UNC 1" GD8				
37	2030-511	1	ROPS RT30/50/60				
39	0310-495	5.1'	STRIP,LOCK				
38	0201-748	2	ASSY,TAG,EMERGENCY EXIT				
40	1059-015	5.1'	SEAL_WINDOW				

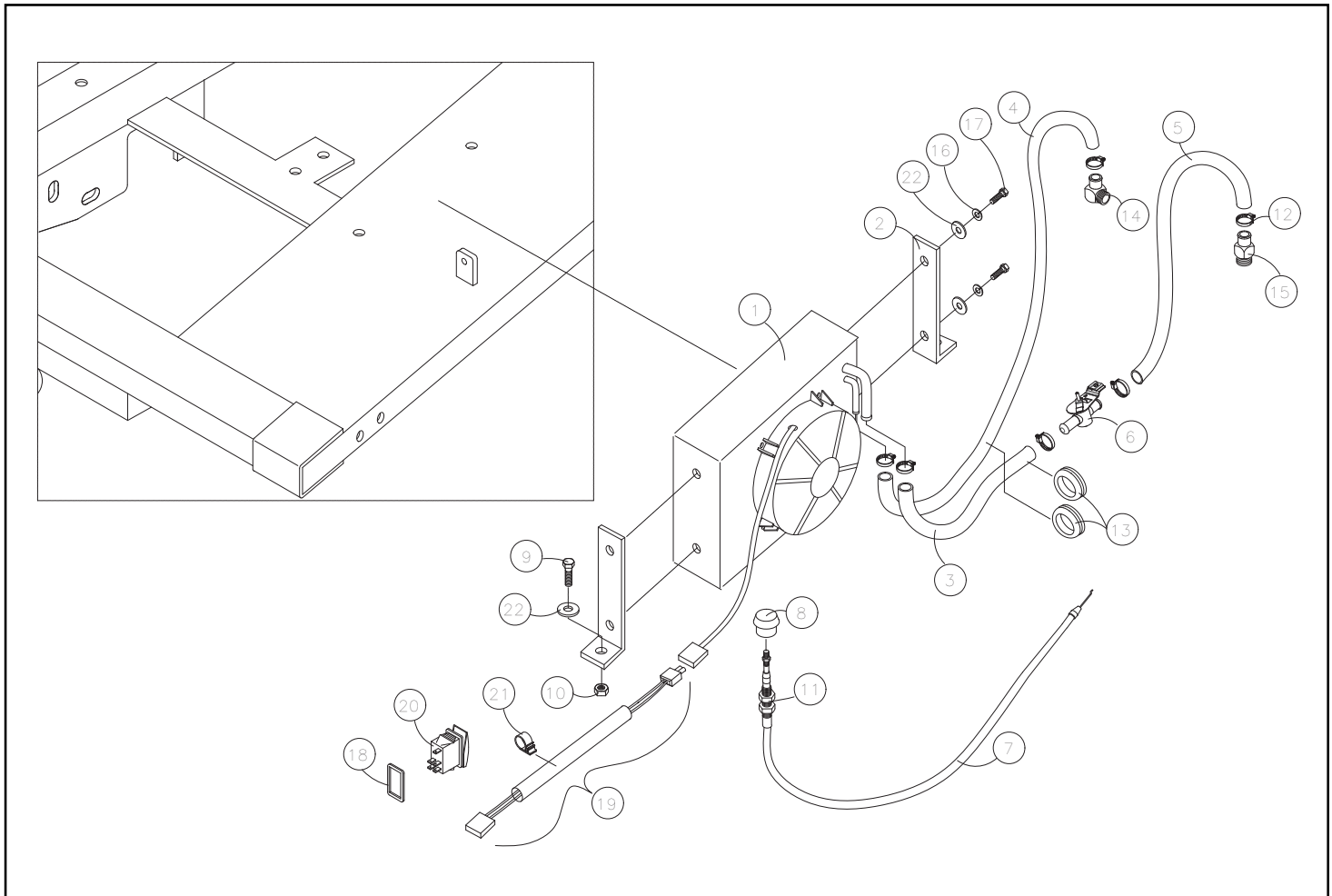


CAB HEATER ASSEMBLY

RT-30 valid from - 00300
RO70T valid from - 00101

Chapter 7

REF. NO.	PART NUMBER	QTY.	DESCRIPTION	REF. NO.	PART NUMBER	QTY.	DESCRIPTION
1	0304-546	1	HEATER,CAB, RC-30				
2	0304-548	2	MNT,HEATER				
3	0305-214	1	HOSE,HEATER,5/8 x 33"				
4	0304-553	1	HOSE,HEATER,5/8,72"				
5	0304-554	1	HOSE,HEATER,5/8,38"				
6	0301-558	1	VALVE,FLOW,HEATER				
7	0404-329	1	CABLE,PUSH-PULL,HEATER				
8	0301-514	1	KNOB,SWITCH,HEATER				
9	8102-038	2	CAPSCREW,HH 1/4-20UNCx7/8 GRD8				
10	8040-366	2	NUT,HEX,NYLOCK,1/4-20 UNC,ZN				
11	0301-654	1	NUT,JAM,3/8-24 UNF				
12	0315-102	6	CLAMP,HOSE,#8				
13	2045-748	2	GROMMET,RUBBER,1-3/8"				
14	0304-670	1	ADAPTER,5/8BARB-3/8MRT-90^				
15	0304-570	1	ADAPTER,6MP-10HOSE,BARB				
16	8051-212	4	WASHER,SPRING LOCK,1/4,ZN				
17	8102-039	4	CAPSCREW,HH,1/4-20UNCx.625,GD8				
18	0310-713	1	GASKET, SWITCH				
19	0304-575	1	HARNESS,HEATER				
20	0304-122	1	SWITCH,ON/OFF,HEATER				
21	0310-587	4	CLAMP,WIRE,3/8,ADHESIVE				
22	8050-222	6	WASHER,WROUGHT,1/4,STD,ZN				



Chapter 8

Quick Attach

8-1 Quick Attach

RT-30 Serial # valid from - 00300.8-1A

R070T Serial # valid from - 00101.8-1A

8-1 Quick Attach Adapter

RT-30 Serial # valid from - 00300.8-2A

R070T Serial # valid from - 00101.8-2A

- * **Parts manuals are updated on a regular basis. Always refer to the current online version to ensure you have the most up to date information prior to ordering parts.**

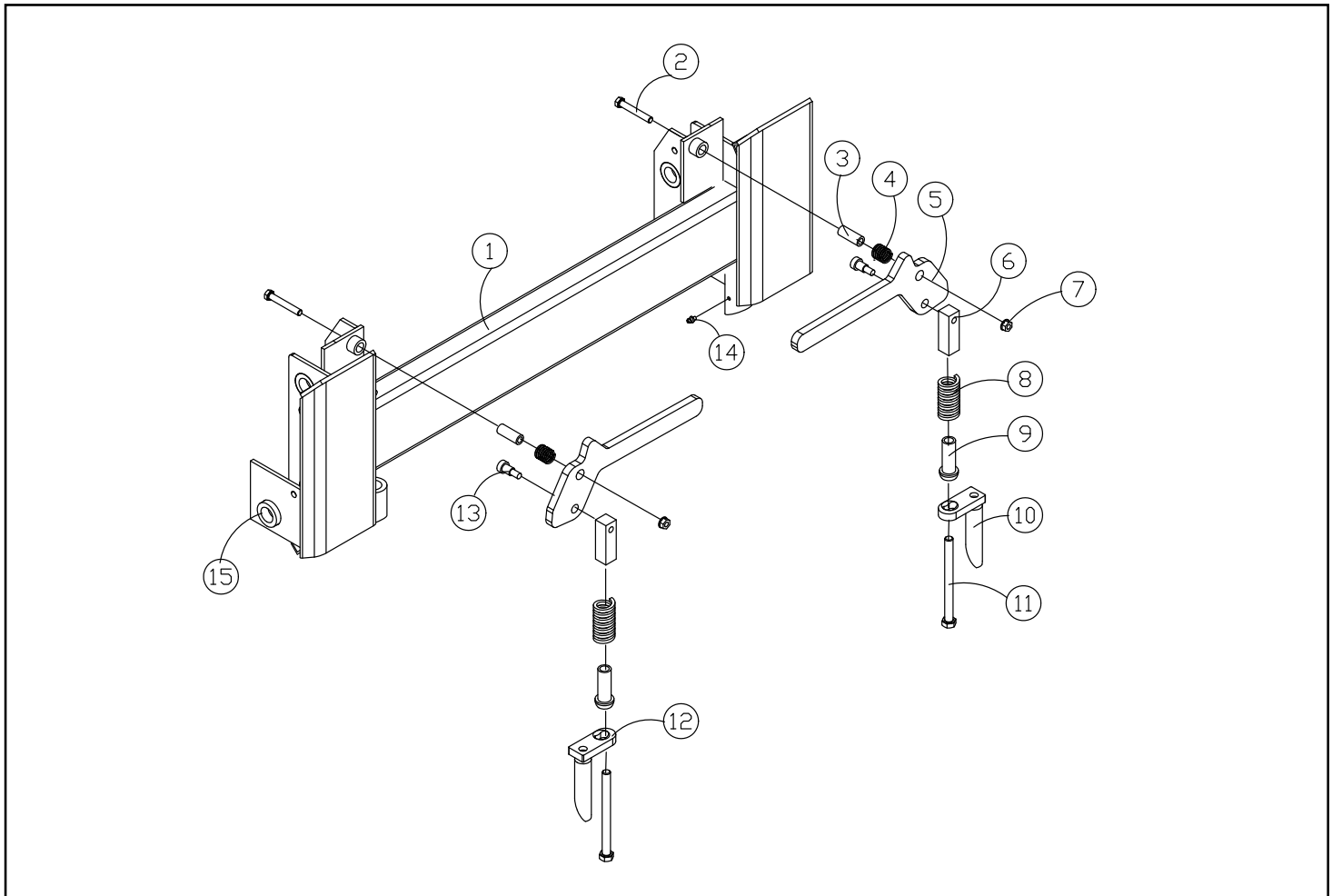
NOTE: Ordering parts that are painted requires a specific part number format. Please refer to page II of this manual for paint code and ordering information.

QUICK ATTACH ASSEMBLY

RT-30 valid from - 00300
RO70T valid from - 00101

Chapter 8

REF. NO.	PART NUMBER	QTY.	DESCRIPTION	REF. NO.	PART NUMBER	QTY.	DESCRIPTION
1	2010-527	1	WLMT QUICK ATTACH				
2	8102-229	2	CAPSCREW,HH 3/8-16UNCx2.5,GD8				
3	2010-538	2	TUBE LATCH				
4	0400-652	2	SPRING,COMPRESSION,.88 x .88 x .091				
5	2010-444	2	HANDLE QUICK ATTACH				
6	2010-547	2	BLOCK,LATCH				
7	8040-486	2	NUT,HEX,NYLOCK,3/8-16 UNC,ZN				
8	0400-651	2	SPRING,COMPRESSION PLATED				
9	0400-621	2	SPOOL,PIVOT				
10	2010-412	1	PIN QA WLMT LH				
11	8102-418	2	CAPSCREW,HH,1/2-13UNCx 6.0,GD8,ZN				
12	2010-413	1	PIN QA WLMT RH				
13	0400-653	2	CAPSCREW,SHOULDER,.5 x.63x3/8-				
14	0300-607	2	ZERK,GREASE,1/4-28				
15	2010-526	8	PIN BOSS				



QUICK ATTACH ADAPTER

RT-30 valid from - 00300
RO70T valid from - 00101

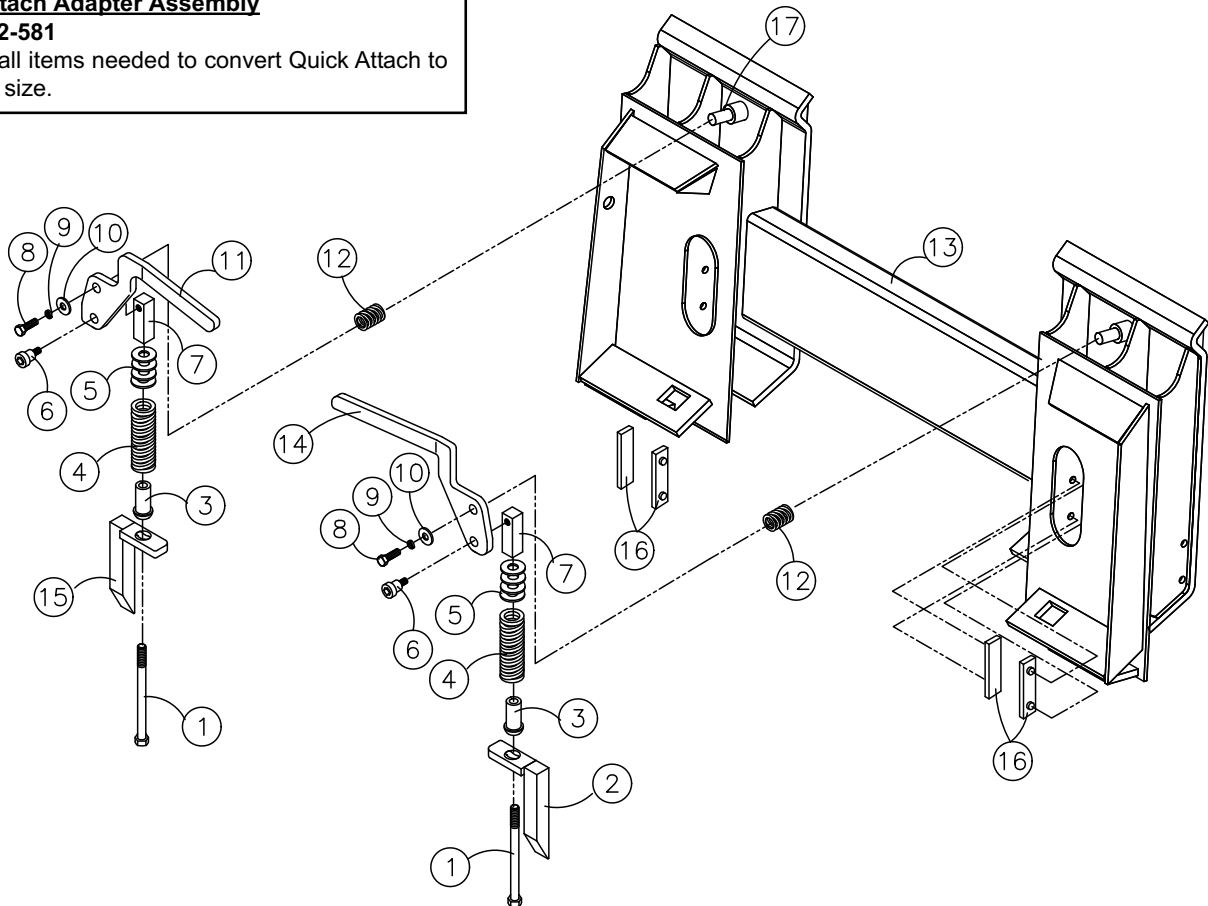
Chapter 8

REF. NO.	PART NUMBER	QTY.	DESCRIPTION	REF. NO.	PART NUMBER	QTY.	DESCRIPTION
1	8102-418	2	CAPSCREW,HH,1/2-13UNCx 6.0,GD8				
2	0400-676	1	WLMT,PIN,LATCH,RH				
3	0400-621	2	SPOOL,PIVOT				
4	0400-651	2	SPRING,COMPRESSION				
5	8050-347	8	WASHER,WROUGHT,1/2,STD,ZN				
6	0400-653	2	CAPSCREW,SHOULDER,.5 x.63x3/8-				
7	2010-547f	2	BLOCK,LATCH				
8	8102-222	2	CAPSCREW,HH,3/8-16 UNCx1.0,GD8				
9	8051-272	2	WASHER,SPRING LOCK,3/8,ZN				
10	8050-262	2	WASHER,WROUGHT,5/16,STD,ZN				
11	0400-697	1	LEVER,LATCH,LH				
12	0400-652	2	SPRING,COMPRESSION,.88 x .88 x				
13	0304-941	1	CONVERTER,QUICK ATTACH,RC30				
14	0400-698	1	LEVER,LATCH,RH				
15	0400-620	1	WLMT,PIN,LATCH,LH				
16	0400-634	4	SLIDE,PLASTIC,QUICK-ATTACH				
17	0400-629	2	STAND-OFF,LEVER,LATCH				

Quick Attach Adapter Assembly

P/N: 0402-581

Includes all items needed to convert Quick Attach to universal size.



Chapter 9

Graphics / Safety Decals

9-1 Safety Decals U.S (ANSI)

RT-30 Serial # valid from - 00300. 9-1A

R070T Serial # valid from - 00101. 9-1A

9-2 Safet Decals R.O.W. (ISO)

RT-30 Serial # valid from - 00300. 9-2A

R070T Serial # valid from - 00101. 9-2A

9-3 Compact Power Equipment Safety Decals

R070T Serial # valid from - 00101. 9-3A

9-4 Machine Graphics ASV US

RT-30 (ASV) Serial # valid from - 00300. . 9-4A

9-5 Machine Graphics Terex

R070T (Terex) Serial # valid from - 00300. . 9-5A

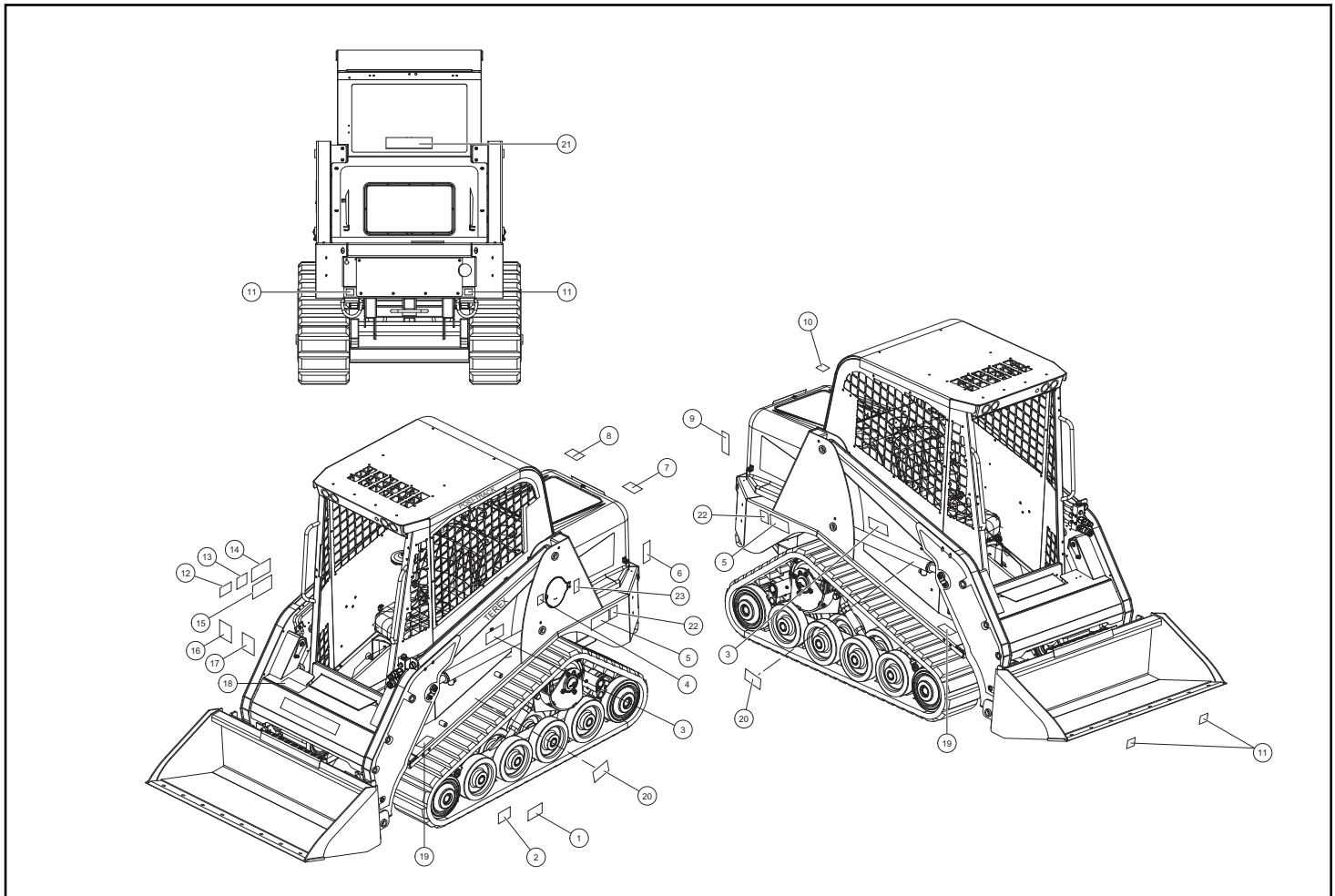
- * **Parts manuals are updated on a regular basis. Always refer to the current online version to ensure you have the most up to date information prior to ordering parts.**

SAFETY DECALS US (ANSI)

RT-30 valid from - 00300
RO70T valid from - 00101

Chapter 9

REF. NO.	PART NUMBER	QTY.	DESCRIPTION	REF. NO.	PART NUMBER	QTY.	DESCRIPTION
1	0304-320	1	DECAL MANUAL BOX				
2	2030-599	1	DECAL ANSI FIRE HAZARD (BRUSHCUTTING)				
3	2030-602	2	DECAL ANSI SKIN INJECTION HAZARD				
4	4046-078	1	DECAL DIESEL FUEL ONLY				
5	2030-593	2	DECAL ANSI RUN OVER HAZARD				
6	2030-603	1	DECAL ANSI BATTERY EXPLOSION HAZARD				
7	2030-595	1	DECAL ANSI RADIATOR HAZARD				
8	2030-600	1	DECAL ANSI BELT FAN HAZARD				
9	2030-601	1	DECAL ANSI HOT SURFACES HAZARD				
10	4046-079	1	DECAL CE HYDRAULIC OIL ONLY				
11	0310-197	4	DECAL, TIE DOWN 156-5762				
12	0304-305	1	DECAL, THROTTLE				
13	2030-628	1	DECAL ANSI 2 SPEED				
14	2030-598	1	DECAL ANSI READ O&M ROLLOVER FALL HAZARD				
15	2030-596	1	DECAL ANSI ROLLOVER FALL HAZARD				
16	2030-424	1	DECAL CONTROLS RIGHT (NO TEXT)				
17	2030-423	1	DECAL CONTROLS LEFT (NO TEXT)				
18	2030-597	1	DECAL ANSI FALL HAZARD (3 POINT ENTRY)				
19	2030-592	2	DECAL ANSI LOADER CRUSH HAZARD				
20	2030-594	2	DECAL ANSI LIFT ARM BRACE				
21	2010-592	1	DECAL EMERGENCY EXIT ANSI				
22	2085-253	2	DECAL ANSI CLEAN UNDERCARRIAGES NOTICE				
23	7011-205	1	DECAL ANSI DANGER- FUELING				

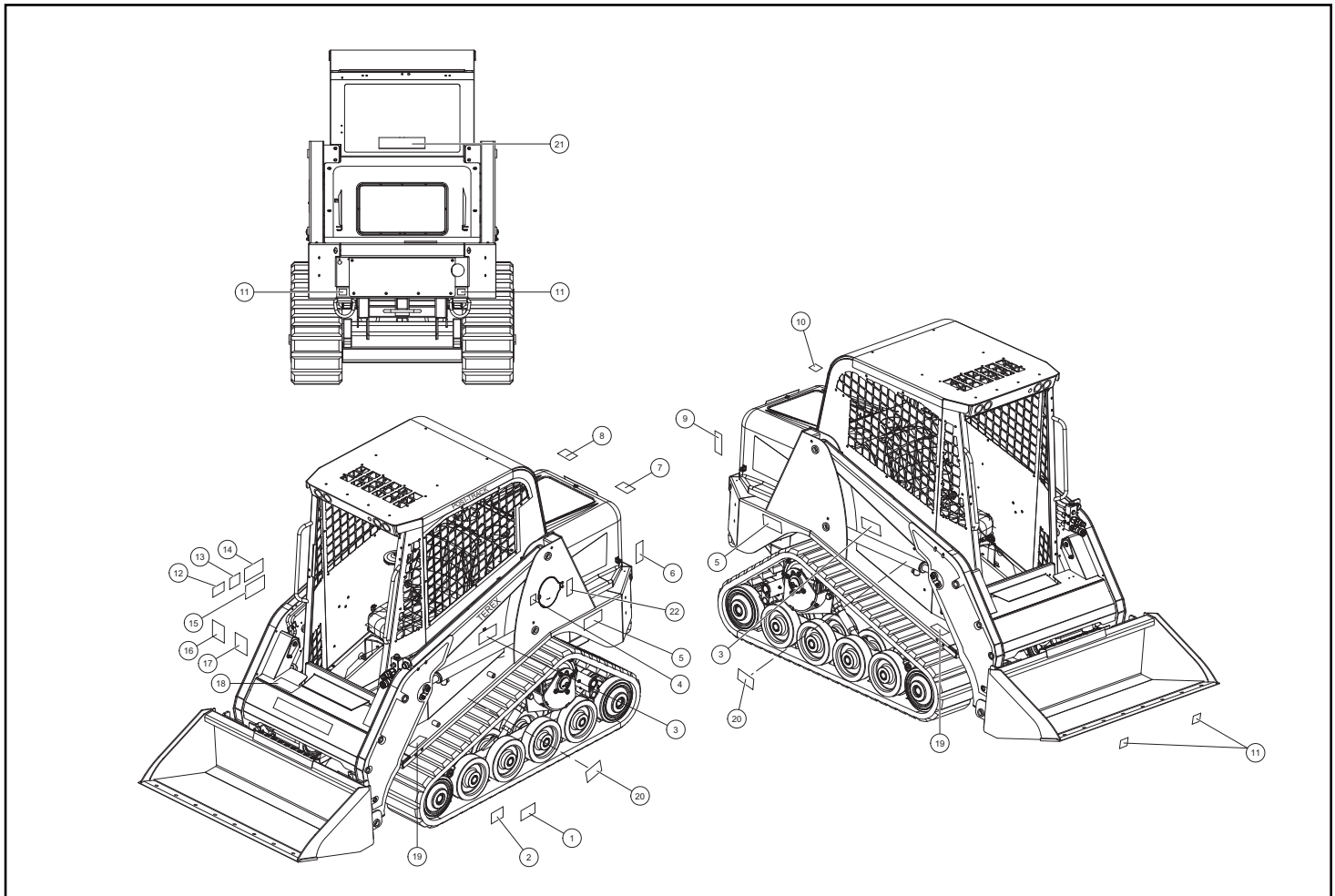


SAFETY DECALS ROW (ISO)

RT-30 valid from - 00300
RO70T valid from - 00101

Chapter 9

REF. NO.	PART NUMBER	QTY.	DESCRIPTION	REF. NO.	PART NUMBER	QTY.	DESCRIPTION
1	2030-422	1	DECAL,OWNER'S MANUAL				
2	2030-427	1	DECAL BRUSHCUTTING				
3	2030-553	2	DECAL ISO SAFETY SKIN OIL INJECTION				
4	4046-078	1	DECAL DIESEL FUEL ONLY				
5	2030-416	2	DECAL MOVING PARTS (TRACK WARNING)				
6	2030-565	1	DECAL ISO SAFETY BATTERY				
7	2030-418	1	DECAL ENGINE COMPARTMENT				
8	2030-551	1	DECAL ISO SAFETY FAN AND BELT				
9	2030-552	1	DECAL ISO SAFETY EXHAUST HOT				
10	4046-079	1	DECAL CE HYDRAULIC OIL ONLY				
11	0310-197	4	DECAL,TIE DOWN 156-5762				
12	2030-419	1	DECAL THROTTLE (NO TEXT)				
13	2030-428	1	DECAL 2 SPEED				
14	2030-426	1	DECAL NO RIDERS/WORK PLATFORM				
15	2030-420	1	DECAL CARRY LOADS/KEEP INSIDE				
16	2030-424	1	DECAL CONTROLS RIGHT (NO TEXT)				
17	2030-423	1	DECAL CONTROLS LEFT (NO TEXT)				
18	2030-425	1	DECAL 3 POINT (NO TEXT)				
19	2030-415	2	DECAL BOOM CRUSH RT (NO TEXT)				
20	2030-417	2	DECAL LOADER LOCK (NO TEXT)				
21	2010-592	1	DECAL EMERGENCY EXIT ANSI				
22	0404-543	1	DECAL ISO ULSD FUEL HANDLING PRECAUTIONS				

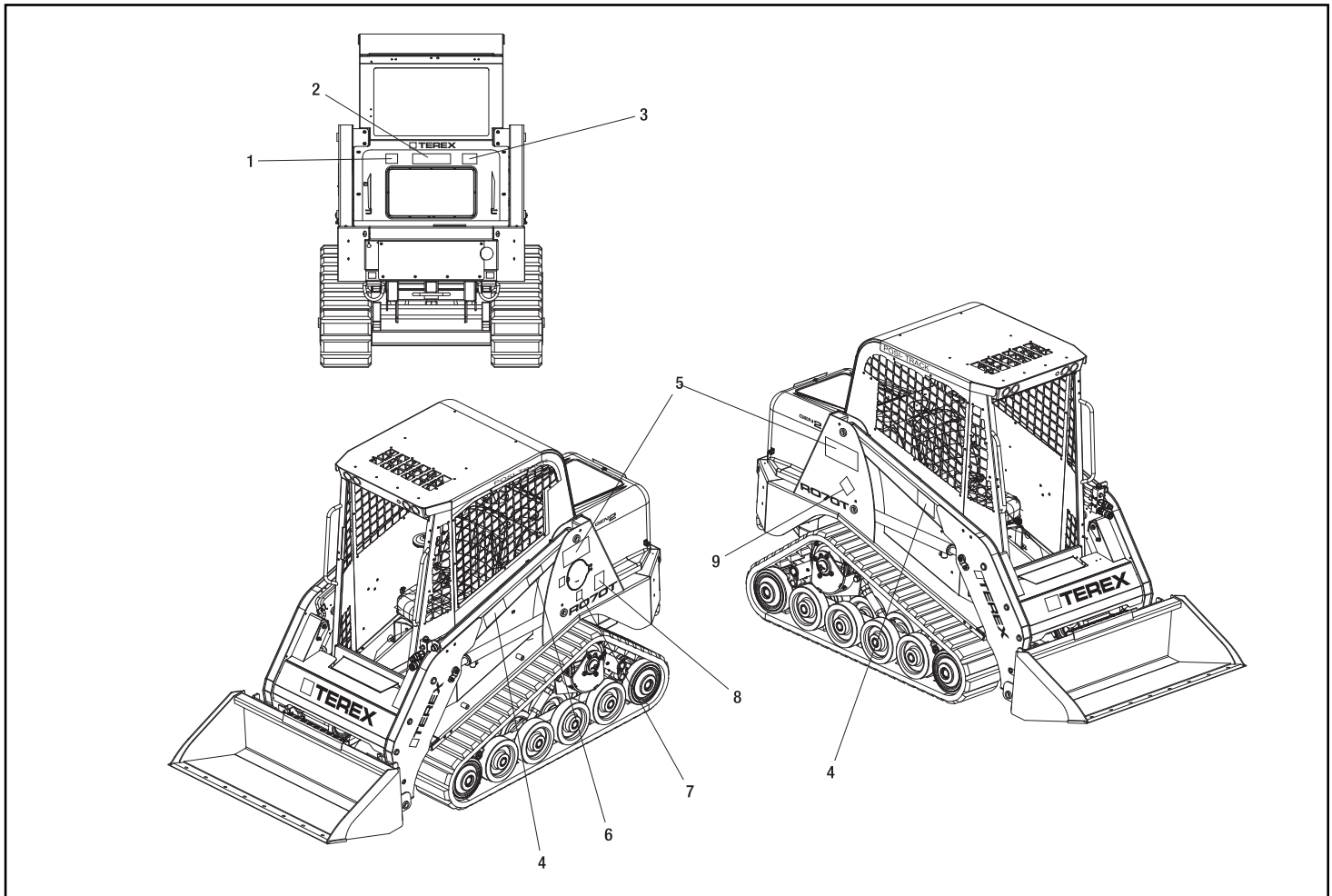


COMPACT POWER EQUIPMENT SAFETY DECALS

RO70T valid from - 00101

Chapter 9

REF. NO.	PART NUMBER	QTY.	DESCRIPTION	REF. NO.	PART NUMBER	QTY.	DESCRIPTION
1	0090-637	1	DECAL CHECK OIL				
2	0090-635	1	DECAL REAR HOOD 2X11				
3	0090-639	1	DECAL TIPPING HAZARD				
4	0090-632	2	DECAL RENT ME 3X7				
5	0090-633	2	DECAL RENT ME 4X8				
6	0090-638	1	DECAL CLEANING FEE				
7	0090-640	1	DECAL DIESEL FUEL ONLY				
8	0090-641	1	DECAL DECAL 811				
9	0090-636	1	DECAL CUSTOMER RESPONSIBILITIES				



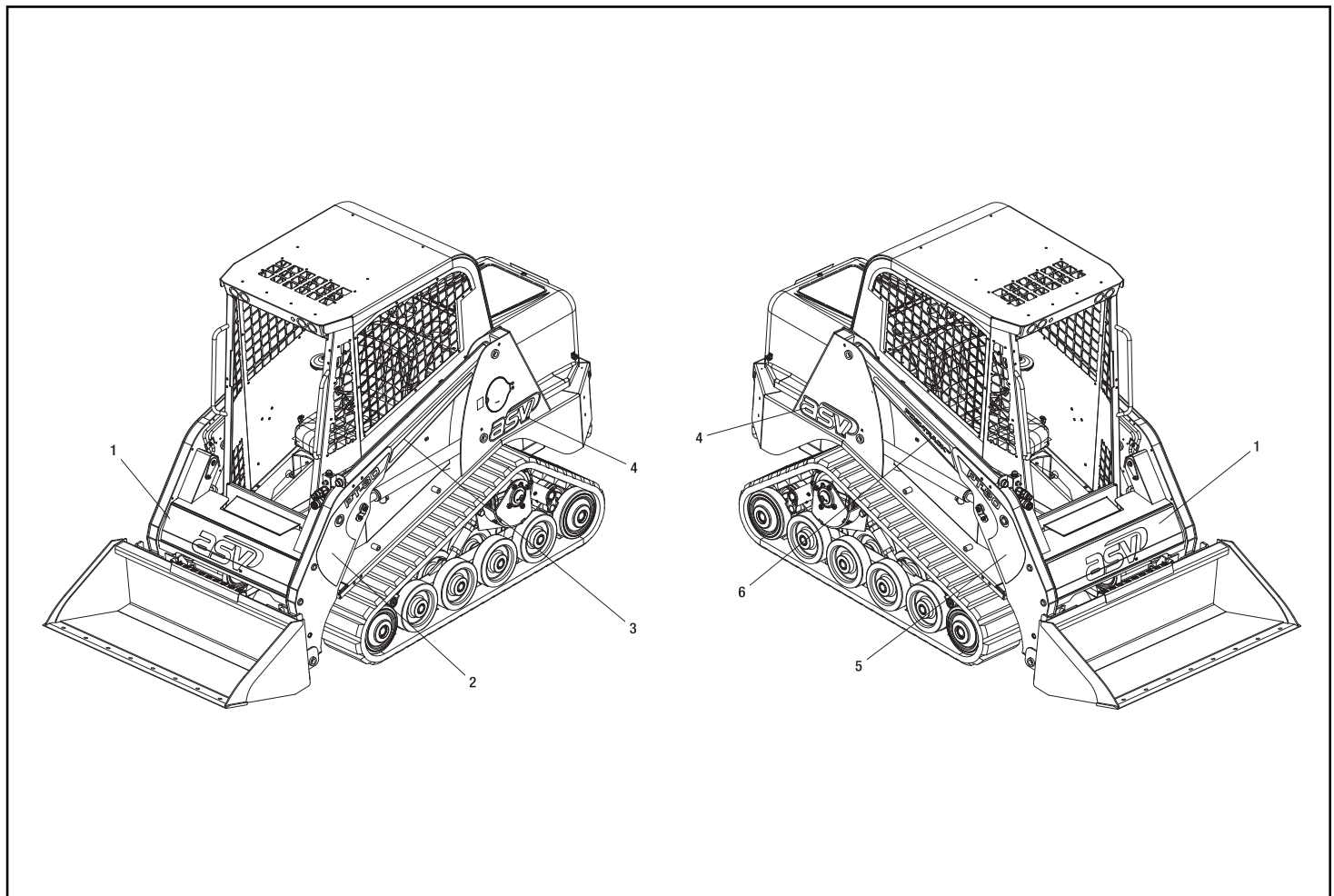
MACHINE GRAPHICS (ASV)

RT-30 valid from - 00300
ASV

Chapter 9

REF. NO.	PART NUMBER	QTY.	DESCRIPTION
1	2030-337	1	DECAL LOADER FRONT
2	2010-867	1	DECAL RT-30 LOADER FRONT LH
3	2010-865	1	DECAL POSI-TRACK LOADER REAR LH
4	2010-883	2	DECAL TOWER ASV
5	2010-864	1	DECAL RT-30 LOADER FRONT RH
6	2010-866	1	DECAL POSI-TRACK LOADER REAR RH

REF. NO.	PART NUMBER	QTY.	DESCRIPTION

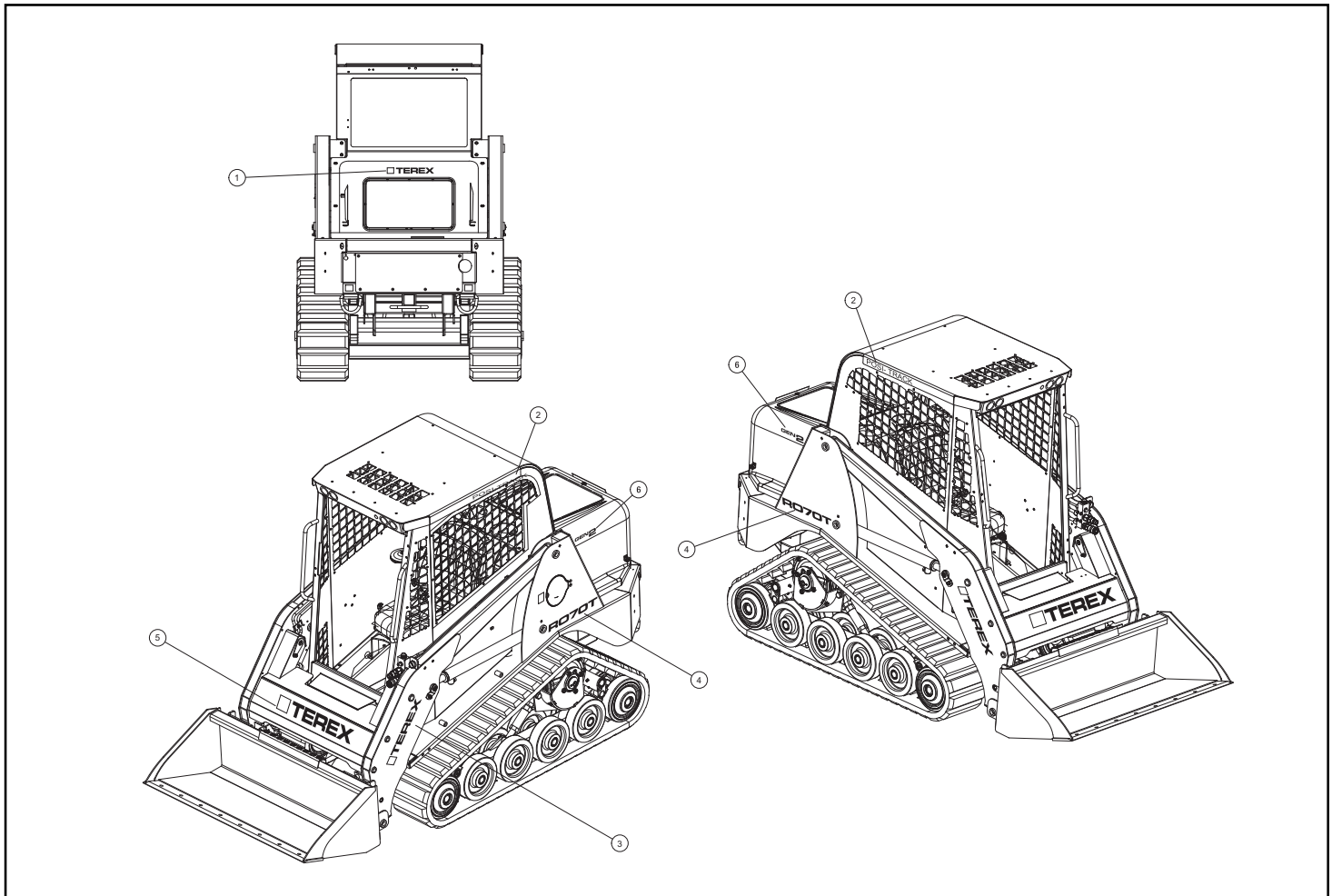


MACHINE GRAPHICS

RO70T valid from - 00101
TEREX

Chapter 9

REF. NO.	PART NUMBER	QTY.	DESCRIPTION	REF. NO.	PART NUMBER	QTY.	DESCRIPTION
1	2010-261	1	DECAL 1.5" TEREX				
2	2030-334	2	DECAL POSI TRACK				
3	2075-965	2	DECAL LOADER				
4	0090-580	2	DECAL R070T				
5	2030-492	1	DECAL CROSS MEMBER BLACK TEREX				
6	0090-615	2	DECAL GEN 2 BLACK				





ASV Holdings Inc.

840 Lily Lane

Grand Rapids MN. 55744

1-800-205-9913

www.asvi.com