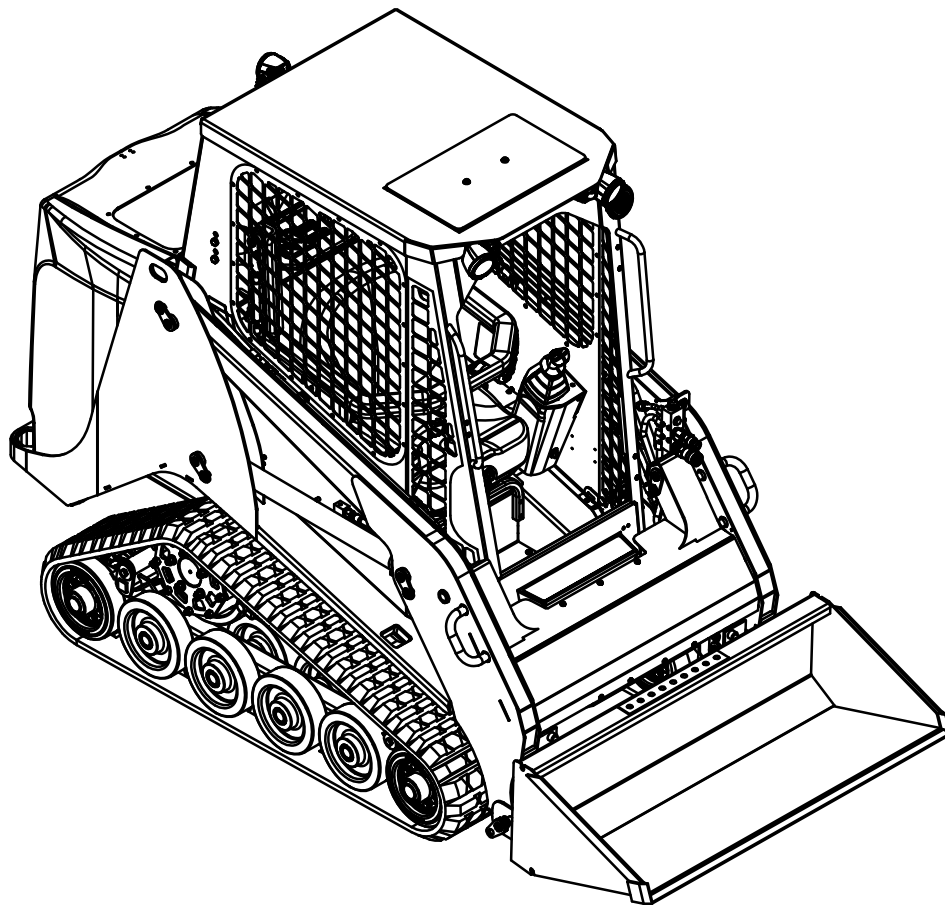


# Master Parts Manual

## Compact Track Loader



**RT-40**

Part Number 0404-767  
Printed 12/09/2019

# Table of Contents

1. **Service Parts**
  - 1-1 General / Hyd. Service Items / Lubricants
  - 1-2 Component Service Items
  - 1-3 Harnesses

2. **Fuel/Engine**
  - 2-1 Fuel System
  - 2-2 Diesel Engine
  - 2-3 Cooling System

3. **Hydraulic Components**
  - 3-1 Hydraulic Reservoir
  - 3-2 Hydraulic Valve / Blocks
  - 3-3 Hydraulic Cylinders-Lift Arm / Tilt
  - 3-4 Hydraulic Auxiliary
  - 3-5 Hydraulic Auxiliary (A/C equipped)
  - 3-6 Hydraulic Control
  - 3-7 Hydraulic Drive

4. **Electrical**
  - 4-1 Switches / Dash Panel
  - 4-2 Battery / Harnesses
  - 4-3 Fuse Panel
  - 4-4 Exterior Lights

5. **Undercarriage**
  - 5-1 Axles / Tracks
  - 5-2 Undercarriage RT
  - 5-3 Undercarriage LT
  - 5-4 Undercarriage RT (optional)
  - 5-5 Undercarriage LT (optional)

6. **Mainframe**
  - 6-1 Chassis
  - 6-2 Hood

7. **Cab / Heating / Air Conditioning**
  - 7-1 Cab
  - 7-2 Cab Interior / Headliner
  - 7-3 Door / Windows / Wiper
  - 7-4 Seat / Seatbelt
  - 7-5 Heater (optional)
  - 7-6 HVAC (optional)

8. **Working Equipment**
  - 8-1 Lift Arms
  - 8-2 Quick Attach- Manual

9. **Graphics / Safety Decals**
  - 9-1 ISO Safety Decals
  - 9-2 Machine Graphics ASV

\* Parts manuals are updated frequently. To ensure current parts information, always refer to the latest version of this manual (posted online, consult your dealer).

**NOTE:** When ordering parts that are painted, a specific part number format is required. Please refer to page II of this manual for paint code and ordering information.

# Painted Service Parts

## ordering guidelines

Compact Track and Skid Steer Loaders are available in various colors and nomenclatures (brands / model names). **Paint color needs to be specified when ordering painted components.** When ordering painted components, inform the support representative of the brand and model name of your machine before selecting the proper color from the list below. The support representative should be able to assist you in finding the correct one based on your machine's **VIN number**. This should help to identify the original machine configuration and nomenclature.

**\*Note:** Not all colors are available on all components. Available colors are limited to those considered “standard” on your particular machine and component(s). Please do not attempt to order non-standard colors for your machine as the order will not be fulfilled until corrected.

The color codes are to be referenced as a suffix to the part number of the component you are requesting, for example: 0000-000-GRN (indicating a green part).

The following is a list of available colors.

<u>Color</u>	<u>Color Code:</u>
BLACK	BLK (ALL MODELS)
YELLOW	YEY (ASV)
WHITE	WHT (TEREX)
GREEN	GRN (SUNBELT)
GRAY	GRY (TEE)
ORANGE	ORN (ASPLUNDH)

# Chapter 1

## Service Parts

### 1-1 General / Hyd. Service Items / Lubricants

### 1-2 Component Service Items

### 1-3 Harnesses

\* Parts manuals are updated frequently. To ensure current parts information, always refer to the latest version of this manual (posted online, consult your dealer).

# GENERAL SERVICE ITEMS & LUBRICANTS

**NOTE:** Please refer to your machine specific operation and maintenance manual for fluid type and capacity specifications.

<u>ITEM</u>	<u>DESCRIPTION</u>	<u>PART NUMBER</u>
-Engine Oil Filter	Filter, Engine Oil	7071-952
-Engine Oil Separator Element	Element, Oil Separator	7071-995
-Primary Air Filter	Filter, Primary Air	2014-836
-Secondary Air Filter	Filter, Secondary Air	2014-837
-Fuel Filter/ Primary	Filter, Fuel	7071-982
-Fuel Pump Filter	Filter, Fuel Pump	7071-981
-Accessory Belt	Belt, Accessory	2014-762

# HYDRAULIC SERVICE ITEMS & LUBRICANTS

<u>ITEM</u>	<u>DESCRIPTION</u>	<u>PART NUMBER</u>
-Hydraulic Oil Filter	Filter, Hydraulic Charge	0404-161

<u>O-RING</u>	<u>PART NUMBER</u>
-# 4, Flat Face Type	2055-196
-# 6, Flat Face Type	0310-285
-# 8, Flat Face Type	0310-286
-# 10, Flat Face Type	0310-287
-# 12, Flat Face Type	0310-288
-# 16, Flat Face Type	0310-289
-# 20, Flat Face Type	0310-290
-# 24, Flat Face Type	0201-479
-# 4, ORB Type	0314-366
-# 6, ORB Type	0310-619
-# 8, ORB Type	0307-353
-# 10, ORB Type	0310-620
-# 12, ORB Type	0310-621
-# 16, ORB Type	0307-354
-# 20, ORB Type	0310-832

# COMPONENT SERVICE ITEMS

## Hydraulic Cylinders

- Bucket/Tilt RH P/N: 2014-295 • Bucket/Tilt LH P/N: 2014-296
- Lift-Arm P/N: 2014-144

<u>ITEM</u>	<u>DESCRIPTION</u>	<u>PART NUMBER</u>
-Kit,Seal,Bucket/Tilt Cylinder	Fits Cylinder (P/N:2014-295 / 2014-296)	2014-825
-Rod,Bucket/Tilt Cylinder	Fits Cylinder (P/N:2014-295 / 2014-296)	2014-821
-End Gland,Bucket/Tilt Cylinder	Fits Cylinder (P/N:2014-295 / 2014-296)	2014-822
-Piston, Bucket/Tilt Cylinder	Fits Cylinder (P/N:2014-295 / 2014-296)	2014-823
-Tube Weldment, Bucket/Tilt Cylinder	Fits Cylinder (P/N:2014-295)	2014-824
-Tube Weldment, Bucket/Tilt Cylinder	Fits Cylinder (P/N:2014-296)	2014-826
-Nut, Bucket/Tilt Cylinder	Fits Cylinder (P/N:2014-295 / 2014-296)	2014-820
-Kit,Seal,Lift Arm Cylinder	Fits Cylinder (P/N:2014-144)	2014-831
-End Gland,Lift Arm Cylinder	Fits Cylinder (P/N:2014-144)	2014-822
-Rod,Lift Arm Cylinder	Fits Cylinder (P/N:2014-144)	2014-828
-Piston	Fits Cylinder (P/N:2014-144)	2014-829
-Tube Weldment, Lift Arm Cylinder	Fits Cylinder (P/N:2014-144)	2014-827
-Nut,Lift Arm Cylinder	Fits Cylinder (P/N:2014-144)	2014-830

# HARNESSES

**Machine Serial Number: 00101 - 00999**

<u>ITEM</u>	<u>LOCATION</u>	<u>PART NUMBER</u>
Cab Harness	Cab	2014-300
Main Harness	Chassis (throughout machine)	2014-301
Auxiliary	Lift Arm	2014-305
Wiper	Cab	0304-573
Alternator Harness	Engine	2014-302
Battery Cable Positive	Battery	2014-303
Battery Cable Negative	Battery	2014-304
Harness Cable, Red	Battery	2014-311
Fuel Sender Jumper	Fuel Tank (SN:00100-00110 only)	2014-769
QA Jumper	Cab	2015-042

**Valid From Machine Serial Number: 01000**

<u>ITEM</u>	<u>LOCATION</u>	<u>PART NUMBER</u>
Cab Harness	Cab	2014-941
Main Harness	Chassis (throughout machine)	2014-942
Auxiliary	Lift Arm	2014-305
Wiper	Cab	0304-573
Alternator Harness	Engine	2014-302
Battery Cable Positive	Battery	2014-303
Battery Cable Negative	Battery	2014-304
Harness Cable, Red	Battery	2014-311
Fuel Sender Jumper	Fuel Tank (SN:00100-00110 only)	2014-769
QA Jumper	Cab	2015-042

# Chapter 2

## Fuel / Engine

### **2-1 Fuel System**

RT-40 Serial # valid from - 00100 **2-1A**

### **2-2 Diesel Engine**

RT-40 Serial # 00100 - 00999 **2-2A**

RT-40 Serial # valid from - 01000 **2-2B**

### **2-3 Cooling System**

RT-40 Serial # valid from - 00100 **2-3A**

**\* Parts manuals are updated frequently. To ensure current parts information, always refer to the latest version of this manual (posted online, consult your dealer).**

**NOTE:** When ordering parts that are painted, a specific part number format is required. Please refer to page II of this manual for paint code and ordering information.

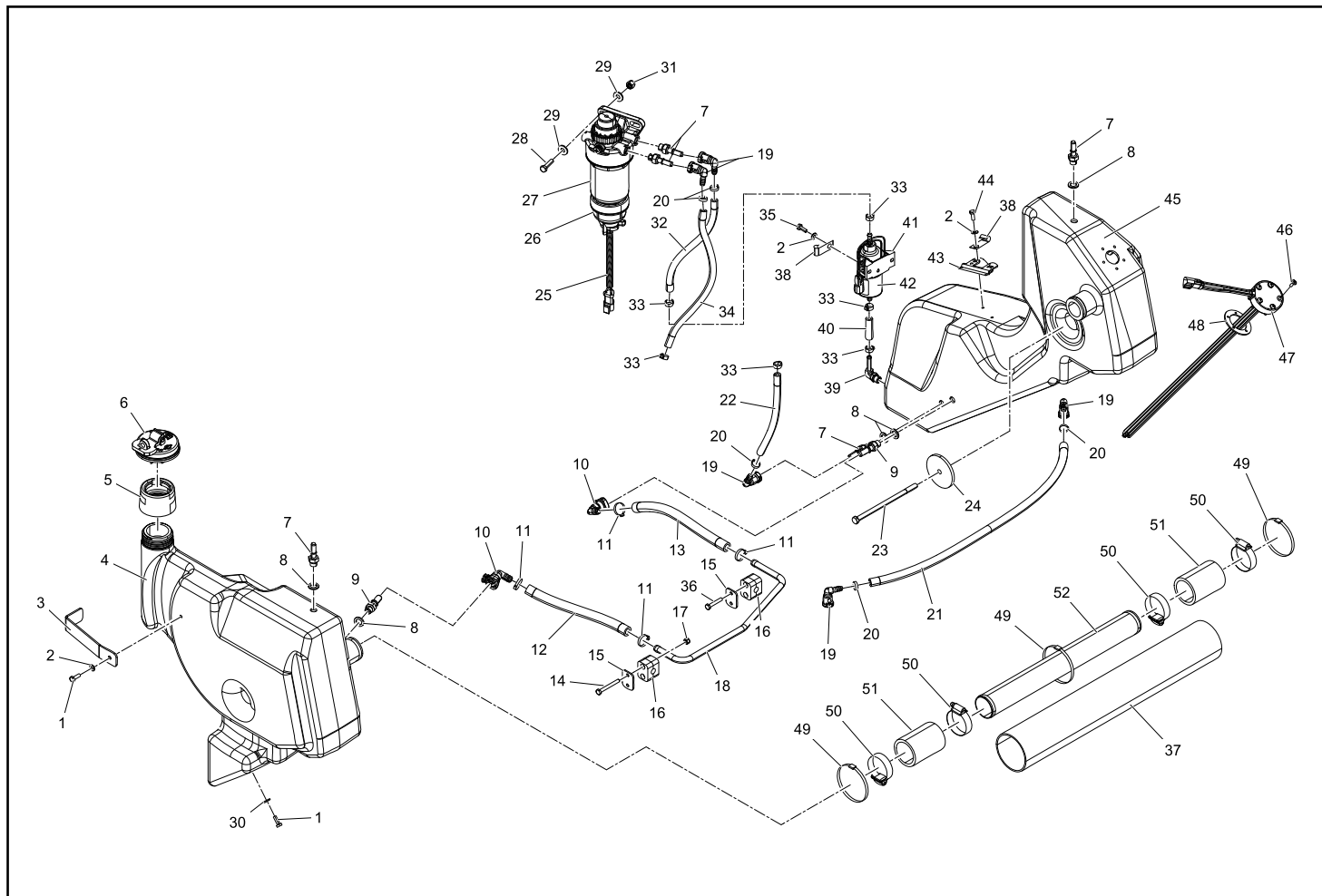
# FUEL SYSTEM

RT-40 valid from 00100

Chapter 2

REF. NO.	PART NUMBER	QTY.	DESCRIPTION
1	8102-040	1	CAPSCREW,HH,1/4-20 UNCx.75,GD8 ZN
2	8050-157	5	WASHER,WROUGHT, #10 3/16,STD,ZN
3	2014-748	1	PLATE HOSE KEEPER
4	2014-066	1	TANK, FUEL RH
5	2075-953	1	NECK FILLER FUEL ALUMINUM
6	2045-407	1	CAP FUEL GREEN
7	7012-210	5	FITTING M14-1.5 X 10MM
8	2095-407	5	WASHER BONDED SEAL 14MM
9	7012-211	2	FITTING M14-1.5 X 12MM
10	0316-012	2	FITTING QC FEMALE 12MM X 1/2 BARB, 90°
11	0316-013	4	CLAMP 19.4 TO 22.6 MM STEPLESS EAR CLAMP
12	2014-364	1	LINE FUEL CROSSOVER RH
13	2014-365	1	LINE FUEL CROSSOVER LH
14	8102-048	2	CAPSCREW,HH,1/4-20UNCx2.25,GD8CAPSCREW,
15	0201-224	2	COVER,CLAMP,COP-2
16	0201-402	2	CLAMP,SET,2050-PP
17	8040-366	2	NUT,HEX,NYLOCK,1/4-20 UNC,ZN
18	2014-360	1	TUBE, CROSSOVER FUEL
19	0316-011	5	FITTING QC FEMALE 9.89MM X 3/8 BARB, 90°
20	0316-014	5	CLAMP 14.5 TO 17.0 MM STEPLESS EAR CLAMP
21	2014-392	1	LINE FUEL VENT
22	2014-391	1	LINE FUEL RETURN
23	0090-752	2	CAPSCREW,HH,3/8-16UNCx7.0, GD8,CAPSCREW
24	3000-433	2	PLATE 1/4" WASHER TANK
25	7071-984	1	SENSOR, WATER IN FUEL
26	7071-983	1	BOWL, WATER SEPARATOR
27	7071-982	1	FILTER, FUEL
28	8102-134	2	CAPSCREW,HH,5/16-18UNCx1.25GD8 ZN
29	8050-262	4	WASHER,WROUGHT,5/16,STD,ZN
30	8050-221	4	WASHER,FLAT,1/4,SAE
31	8040-486	2	NUT,HEX,NYLOCK,3/8-16 UNC,ZN
32	2014-389	1	LINE FUEL PUMP TO FILTER
33	0316-023	6	CLAMP, 12.8 TO 14.5MM STEPLESS EAR
34	2014-390	1	LINE FUEL FILTER TO ENGINE
35	8102-040	2	CAPSCREW,HH,1/4-20 UNCx.75,GD8 ZN
36	8102-048	2	CAPSCREW,HH,1/4-20UNCx2.25,GD8CAPSCREW,
37	2014-775	1	SLEEVE, HEAT, 3.25" X23"
38	0090-473	2	J CLAMP 1/2"
39	0315-076	1	ADAPTER, 05HB-06NWO-90
40	0200-351	1	HOSE,FUEL,5/16IDx2"

REF. NO.	PART NUMBER	QTY.	DESCRIPTION
41	7071-726	1	ASSY, PUMP, FUEL
42	7071-981	1	FILTER, FUEL PUMP
43	2014-684	1	BRKT MNT HARNESS
44	8102-039	2	CAPSCREW,HH,1/4-20UNCx.625,GD8
45	2014-157	1	TANK, FUEL LH
46	0090-165	5	SCREW MACHINE #10-24 X 1-1/4" ZN
47	2014-856	1	SENDER, FUEL, 3 TERM, 1/4 V
48	7071-988	1	GASKET, FUEL SENDER
49	0090-350	3	CABLE TIE STAINLESS 20.5"
50	0303-096	4	CLAMP,HOSE,2.0",HI-TORQUE CLAMP,HOS
51	2014-393	2	COUPLER, FUEL
52	2014-232	1	TUBE, FILL FUEL CROSSOVER



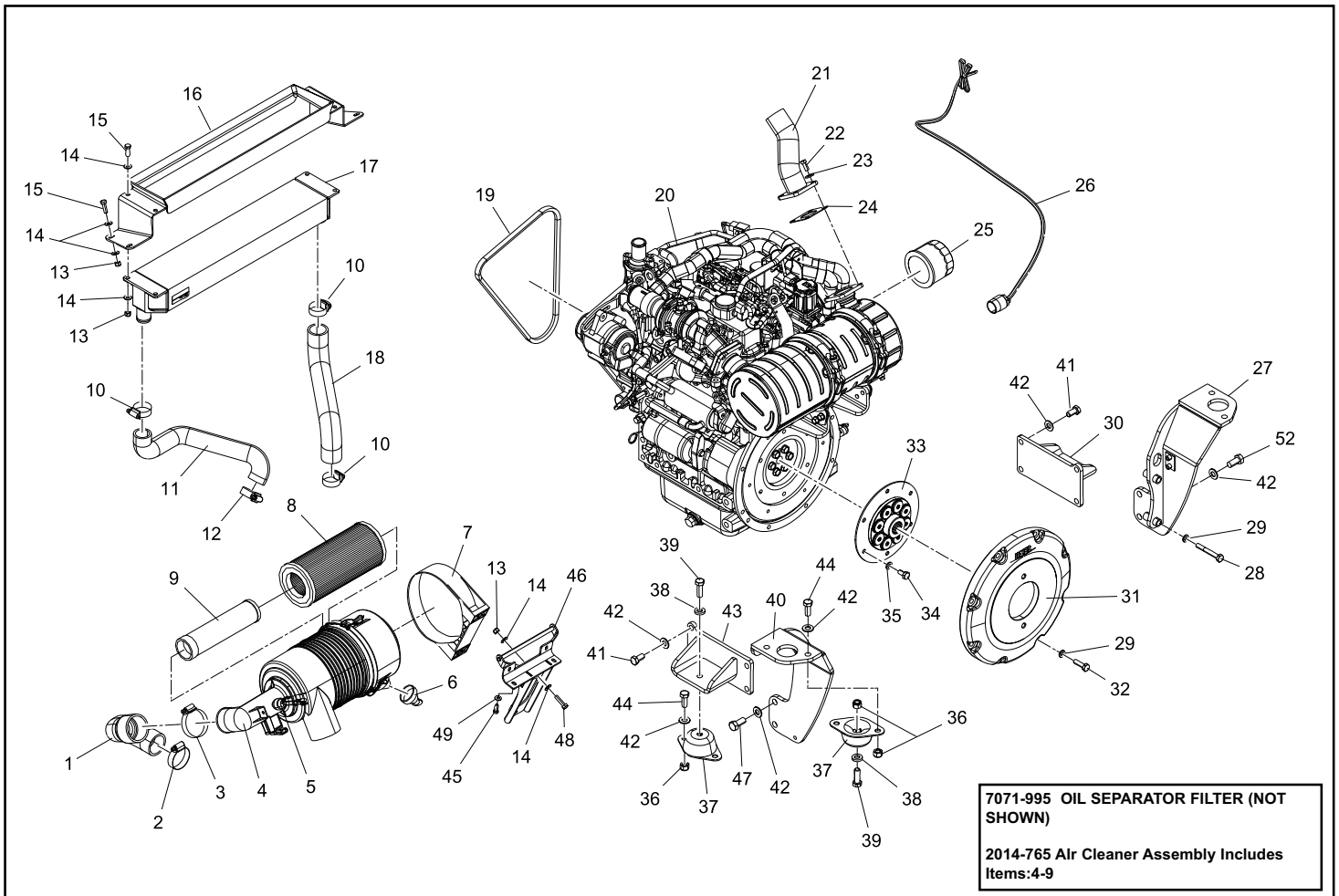
# DIESEL ENGINE

RT-40 00100 - 00999

Chapter 2

REF. NO.	PART NUMBER	QTY.	DESCRIPTION
1	2014-156	1	HOSE INTAKE SAE J20 R4 D2 ID=2.35"
2	0303-096	1	CLAMP,HOSE,2.0",HI-TORQUE CLAMP,HOS
3	0303-175	1	HOSE,CLAMP,2.75,HI-TORQUE HOSE,CLAM
4	2014-765	1	ASSEMBLY AIR CLEANER
5	7071-957	1	SWITCH, INDICATOR, AIR FILTER
6	7071-953	1	BOOT, AIR FILTER
7	7071-063	1	BRACKET, AIR CLEANER, KUBOTA
8	2014-836	1	FILTER, AIR, PRIMARY
9	2014-837	1	FILTER, AIR, SECONDARY
10	0303-238	3	CLAMP HOSE
11	2014-154	1	HOSE CAC INLET REINFORCED AEM ID=1.33"
12	0303-240	1	CLAMP, HOSE, #16 HI TORQUE
13	8040-426	10	NUT,HEX,NYLOCK,5/16-18 UNC,ZN
14	8050-222	20	WASHER,WROUGHT,1/4,STD,ZN
15	8102-132	8	CAPSCREW,HH,5/16-18UNCx1.0 GD8 ,ZN
16	2014-176	1	WLMT DAM AIR CAC
17	2014-170	1	COOLER CHARGE AIR
18	2014-155	1	HOSE CAC OUTLET REINFORCED AEM ID=1.57"
19	2014-762	1	BELT, ENGINE
20	2014-002	1	ENGINE, KUBOTA, D1803-CR-TIE4B
21	2014-220	1	WLMT, EXHAUST
22	0307-720	4	CAPSCREW,HH,M8x1.25x20 92820A425
23	8050-262	4	WASHER,WROUGHT,5/16,STD,ZN
24	2014-838	1	GASKET, EXHAUST
25	7071-952	1	FILTER, OIL
26	7071-620	1	BLOCK HEATER
27	2014-032	1	WLMT,FRT LH ENGINE MNT
28	0090-719	6	CAPSCREW, M10-1.5 x 75mm DIN 931 Class 1
29	0090-104	8	WASHER .402 x .728 x .098 HARD
30	2014-040	1	WLMT, REAR LH ENGINE MOUNT
31	7071-820	1	PLATE, MOUNT, PUMP
32	0090-552	2	CAPSCREW, M10-1.5 x 35mm
33	7071-821	1	COUPLER, PUMP
34	0090-666	6	CAPSCREW, M10-1.25 x 20MM DIN 961 Class
35	0090-104	6	WASHER .402 x .728 x .098 HARD
36	8040-606	12	NUT,HEX,NYLOCK,1/2-13 UNC,ZN
37	7071-770	4	ISOLATOR, DOME
38	0090-136	4	WASHER HARD 1.0 X .531 X .197
39	8102-405	4	CAPSCREW,HH,1/2-13 UNCx1.5,GD8CAPSCREW,
40	2014-036	1	WLMT,FRT RH ENGINE MNT

REF. NO.	PART NUMBER	QTY.	DESCRIPTION
41	0090-660	8	CAPSCREW, M12-1.25 x 25MM CLASS 10.9
42	8050-348	20	WASHER,1/2,SAE,ZN 1.06 OD x .531 ID x .0
43	2014-042	1	WLMT, REAR RH ENGINE MOUNT
44	8102-404	8	CAPSCREW,HH 1/2-13UNCx1.25 GD8 ZN
45	8102-040	4	CAPSCREW,HH,1/4-20 UNCx.75,GD8 ZN
46	2014-445	1	WLMT, AIR CLEANER MNT
47	0304-131	4	CAPSCREW,HH, M14-1.5 X30MM,GD8CAPSCREW,
48	8102-134	2	CAPSCREW,HH,5/16-18UNCx1.25GD8 ZN
49	8050-221	4	WASHER,FLAT,1/4,SAE



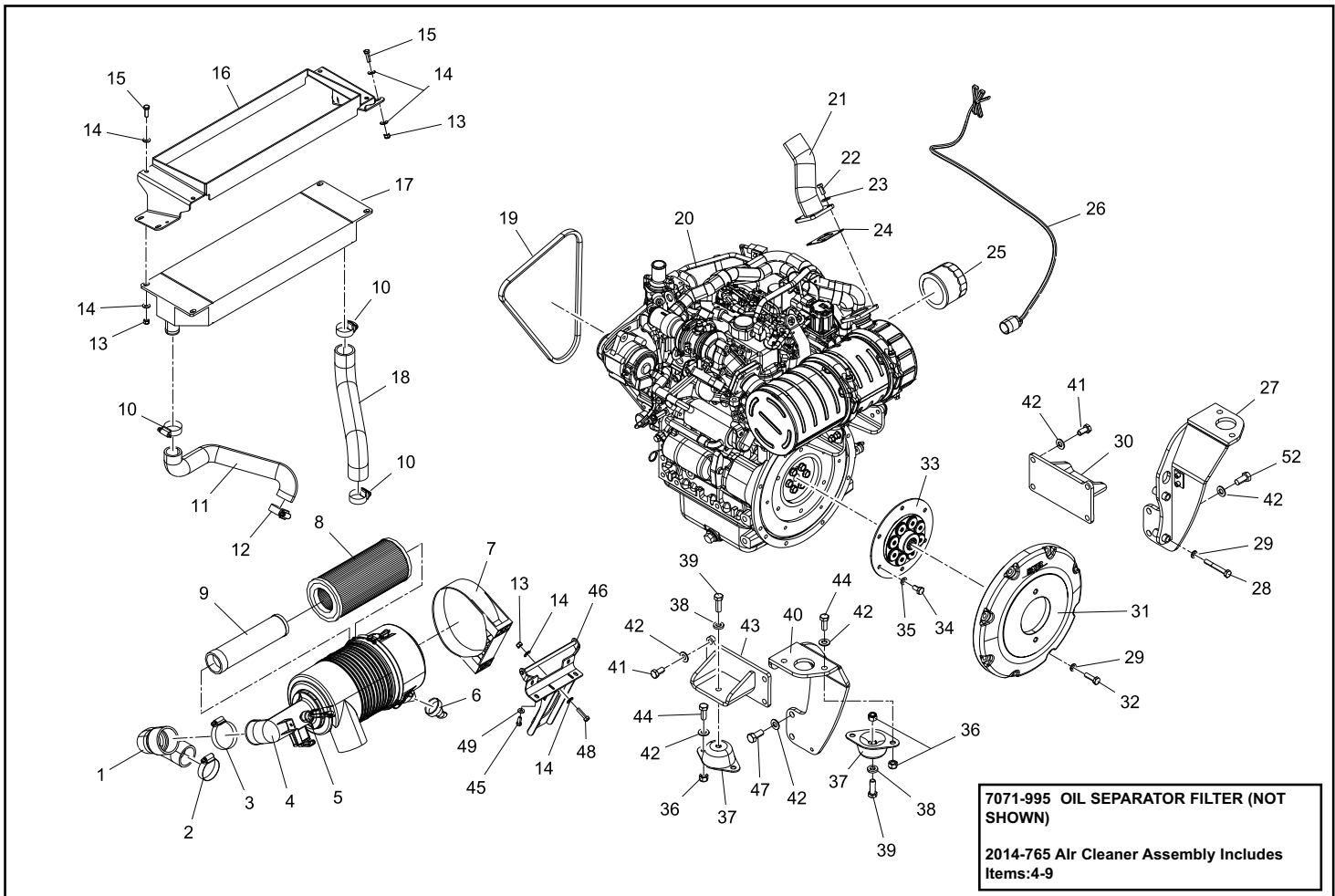
# DIESEL ENGINE

RT-40 valid from 01000

Chapter 2

REF. NO.	PART NUMBER	QTY.	DESCRIPTION
1	2014-156	1	HOSE INTAKE SAE J20 R4 D2 ID=2.35"
2	0303-096	1	CLAMP,HOSE,2.0",HI-TORQUE CLAMP,HOS
3	0303-175	1	HOSE,CLAMP,2.75,HI-TORQUE HOSE,CLAM
4	2014-765	1	ASSEMBLY AIR CLEANER
5	7071-957	1	SWITCH, INDICATOR, AIR FILTER
6	7071-953	1	BOOT, AIR FILTER
7	7071-063	1	BRACKET, AIR CLEANER, KUBOTA
8	2014-836	1	FILTER, AIR, PRIMARY
9	2014-837	1	FILTER, AIR, SECONDARY
10	0303-238	3	CLAMP HOSE
11	2014-154	1	HOSE CAC INLET REINFORCED AEM ID=1.33"
12	0303-240	1	CLAMP, HOSE, #16 HI TORQUE
13	8040-426	10	NUT,HEX,NYLOCK,5/16-18 UNC,ZN
14	8050-222	20	WASHER,WROUGHT,1/4,STD,ZN
15	8102-132	8	CAPSCREW,HH,5/16-18UNCx1.0 GD8 ,ZN
16	2014-948	1	WLMT DAM AIR CAC
17	2014-945	1	COOLER, CHARGE AIR
18	2014-155	1	HOSE CAC OUTLET REINFORCED AEM ID=1.57"
19	2014-762	1	BELT, ENGINE
20	2014-951	1	ENGINE, KUBOTA D1803-CR-TIE4B-ASV-2 (1J497-25000)
21	2014-220	1	WLMT, EXHAUST
22	0307-720	4	CAPSCREW,HH,M8x1.25x20 92820A425
23	8050-262	4	WASHER,WROUGHT,5/16,STD,ZN
24	2014-838	1	GASKET, EXHAUST
25	7071-952	1	FILTER, OIL
26	7071-620	1	BLOCK HEATER
27	2014-032	1	WLMT,FRT LH ENGINE MNT
28	0090-719	6	CAPSCREW, M10-1.5 x 75mm DIN 931 Class 1
29	0090-104	8	WASHER .402 x .728 x .098 HARD
30	2014-040	1	WLMT, REAR LH ENGINE MOUNT
31	7071-820	1	PLATE, MOUNT, PUMP
32	0090-552	2	CAPSCREW, M10-1.5 x 35mm
33	7071-821	1	COUPLER, PUMP
34	0090-666	6	CAPSCREW, M10-1.25 x 20MM DIN 961 Class
35	0090-104	6	WASHER .402 x .728 x .098 HARD
36	8040-606	12	NUT,HEX,NYLOCK,1/2-13 UNC,ZN
37	7071-770	4	ISOLATOR, DOME
38	0090-136	4	WASHER HARD 1.0 X .531 X .197
39	8102-405	4	CAPSCREW,HH,1/2-13 UNCx1.5,GD8CAPSCREW,
40	2014-036	1	WLMT,FRT RH ENGINE MNT

REF. NO.	PART NUMBER	QTY.	DESCRIPTION
41	0090-660	8	CAPSCREW, M12-1.25 x 25MM CLASS 10.9
42	8050-348	20	WASHER,1/2,SAE,ZN 1.06 OD x .531 ID x .0
43	2014-042	1	WLMT, REAR RH ENGINE MOUNT
44	8102-404	8	CAPSCREW,HH 1/2-13UNCx1.25 GD8 ZN
45	8102-040	4	CAPSCREW,HH,1/4-20 UNCx.75,GD8 ZN
46	2014-445	1	WLMT, AIR CLEANER MNT
47	0304-131	4	CAPSCREW,HH, M14-1.5 X30MM,GD8CAPSCREW,
48	8102-134	2	CAPSCREW,HH,5/16-18UNCx1.25GD8 ZN
49	8050-221	4	WASHER,FLAT,1/4,SAE

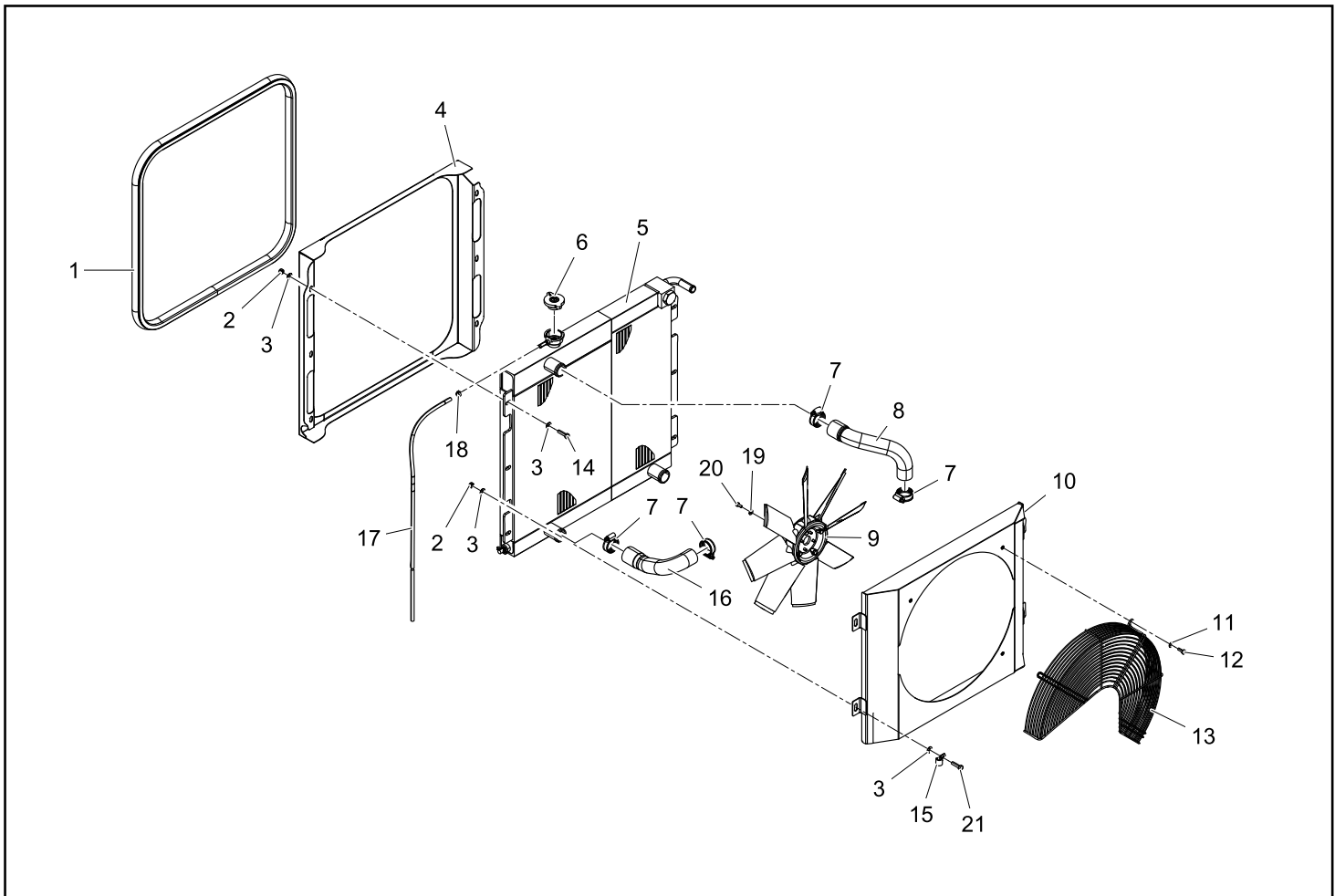


# COOLING SYSTEM

RT-40 valid from 00100

Chapter 2

REF. NO.	PART NUMBER	QTY.	DESCRIPTION	REF. NO.	PART NUMBER	QTY.	DESCRIPTION
1	2014-486	1	SEAL, FAN DAM				
2	8040-426	10	NUT,HEX,NYLOCK,5/16-18 UNC,ZN				
3	8050-222	20	WASHER,WROUGHT,1/4,STD,ZN				
4	2014-483	1	WLMT, COOLER AIR DAM				
5	2014-493	1	COOLER RADIATOR/ OC				
6	0201-884	1	CAP, RADIATOR				
7	0315-150	4	CLAMP, SMART SEAL, #238				
8	2014-152	1	HOSE, RADIATOR UPPER SAE J20 R1 D1 EPDM				
9	2014-367	1	FAN, 17.5"				
10	2014-777	1	SHROUD FAN				
11	8050-221	3	WASHER,FLAT,1/4,SAE				
12	8102-040	3	CAPSCREW,HH,1/4-20 UNCx.75,GD8 ZN				
13	2014-410	1	GUARD, FINGER				
14	8102-134	6	CAPSCREW,HH,5/16-18UNCx1.25GD8 ZN				
15	0310-464	2	CLAMP,WIRE,1/2 RBC-1/2				
16	2014-153	1	HOSE RADIATOR LOWER SAE J20 R1 D1 EPDM I				
17	2014-481	1	HOSE, RECOVERY BOTTLE				
18	0304-800	1	CLAMP,OVER FLOW,COOLANT ARDEN FASTENERS				
19	0304-465	4	CAPSCREW,HH,M6-1.0x16mm FASTENAL				
20	8050-157	4	WASHER,WROUGHT, #10 3/16,STD,ZN				
21	8102-132	4	CAPSCREW,HH,5/16-18UNCx1.0 GD8 ,ZN				



# Chapter 3

## Hydraulic Components

### **3-1 Hydraulic Reservoir**

RT-40 Serial # 00100 - 00999 **3-1A**

RT-40 Serial # valid from - 01000 **3-1B**

### **3-2 Hydraulic Valve / Blocks**

RT-40 Serial # valid from - 00100 **3-2A**

### **3-3 Hydraulic Cylinders - Lift Arm /Tilt**

RT-40 Serial # valid from - 00100 **3-3A**

### **3-4 Hydraulic Auxiliary**

RT-40 Serial # valid from - 00100 **3-4A**

### **3-5 Hydraulic Auxiliary (A/C equipped)**

RT-40 Serial # valid from - 01000 **3-5A**

### **3-6 Hydraulic Control**

RT-40 Serial # valid from - 00100 **3-6A**

### **3-7 Hydraulic Drive**

RT-40 Serial # valid from - 00100 **3-7A**

**\* Parts manuals are updated frequently. To ensure current parts information, always refer to the latest version of this manual (posted online, consult your dealer).**

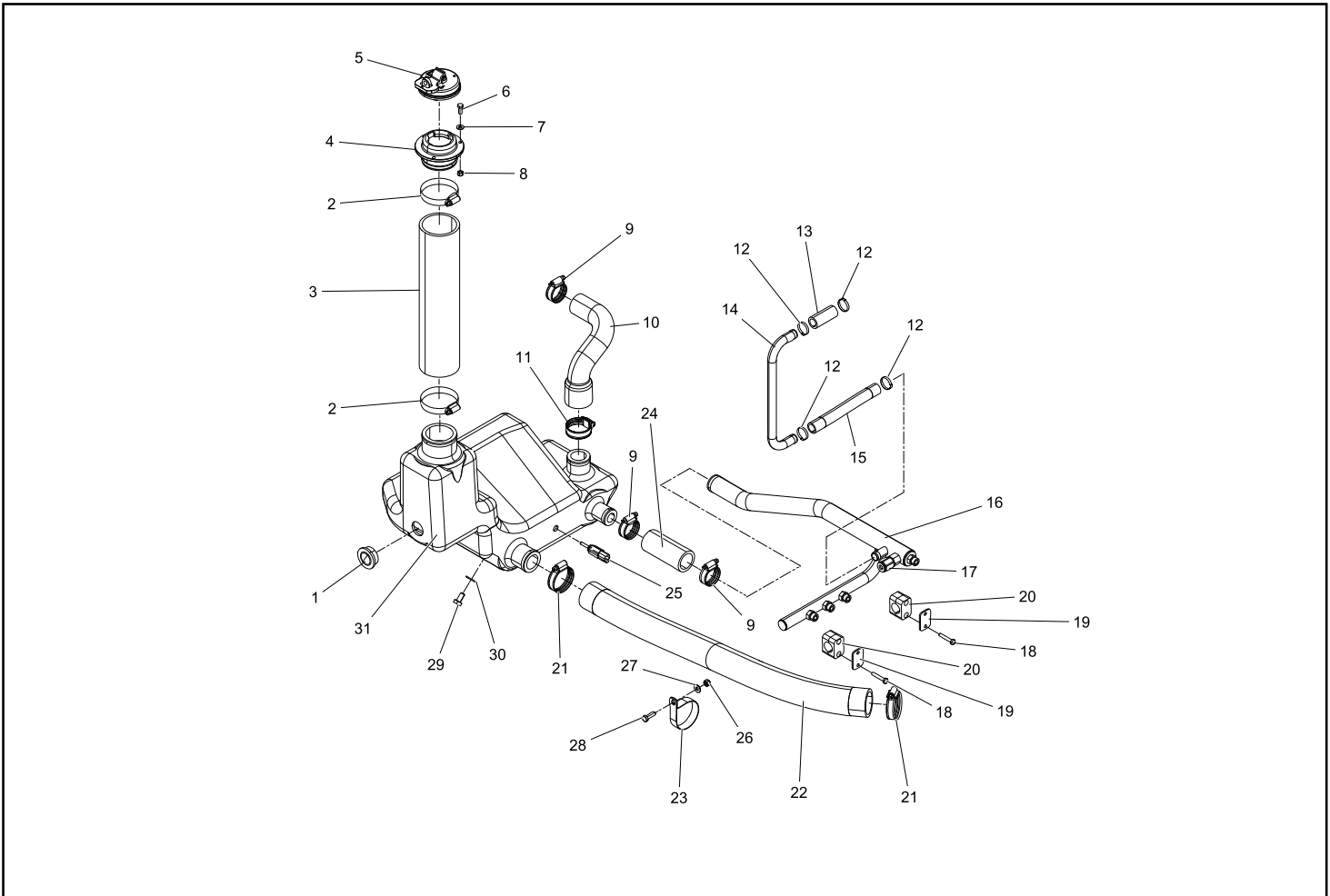
**NOTE:** When ordering parts that are painted, a specific part number format is required. Please refer to page II of this manual for paint code and ordering information.

# HYDRAULIC RESERVOIR

RT-40 00100 - 00999

Chapter 3

REF. NO.	PART NUMBER	QTY.	DESCRIPTION	REF. NO.	PART NUMBER	QTY.	DESCRIPTION
1	2014-340	1	SIGHT GUAGE, OILTANK				
2	0303-239	2	CLAMP, HOSE, 2.5" - 3" HI TORQUE				
3	2014-087	1	HOSE, OIL TANK FILL				
4	2075-992	1	NECK FILLER OIL PLASTIC				
5	2045-408	1	CAP OIL BLACK #910-0052				
6	8102-040	3	CAPSCREW,HH,1/4-20 UNCx.75,GD8 ZN				
7	8050-221	3	WASHER,FLAT,1/4,SAE				
8	8040-366	3	NUT,HEX,NYLOCK,1/4-20 UNC,ZN				
9	0315-150	3	CLAMP, SMART SEAL, #238				
10	2014-233	1	HOSE, RETURN COOLER SAE J30 R7 ID=1.5"				
11	0315-156	1	CLAMP, SMART SEAL, #288				
12	0316-026	4	CLAMP, 25.4MM TO 28.6MM STEPLESS EAR				
13	2014-570	1	HOSE CASE COUPLER				
14	2014-450	1	TUBE CASE DRAIN TRANS				
15	2014-580	1	HOSE, PUMP CASE DRAIN				
16	2014-085	1	TUBE, CASE DRAIN				
17	0315-011	1	ADAPTER, MORB, COUPLING: 3/8", CONNECTIO				
18	8102-045	4	CAPSCREW,HH,1/4-20x1.5"ZN GD8				
19	0310-826	2	COVER, CLAMP, COP-3 BEHRINGER				
20	0310-827	2	CLAMP, SET, 3100-PP BEHRINGER				
21	0315-157	2	CLAMP, SMART SEAL, #262				
22	2014-069	1	HOSE, CHARGE SUPPLY				
23	2051-981	1	CLAMP P 2-3/4" I.D				
24	2014-834	1	HOSE,TRANNY				
25	2014-571	1	SENSOR TEMP HYD OIL				
26	8040-426	1	NUT,HEX,NYLOCK,5/16-18 UNC,ZN				
27	8050-222	1	WASHER,WROUGHT,1/4,STD,ZN				
28	8102-132	1	CAPSCREW,HH,5/16-18UNCx1.0 GD8 ,ZN				
29	0090-720	4	CAPSCREW, M10-1.5 x 20mm DIN 933 CLASS 1				
30	8050-282	4	WASHER,WROUGHT,3/8,STD,ZN				
31	2014-080	1	TANK HYD OIL				

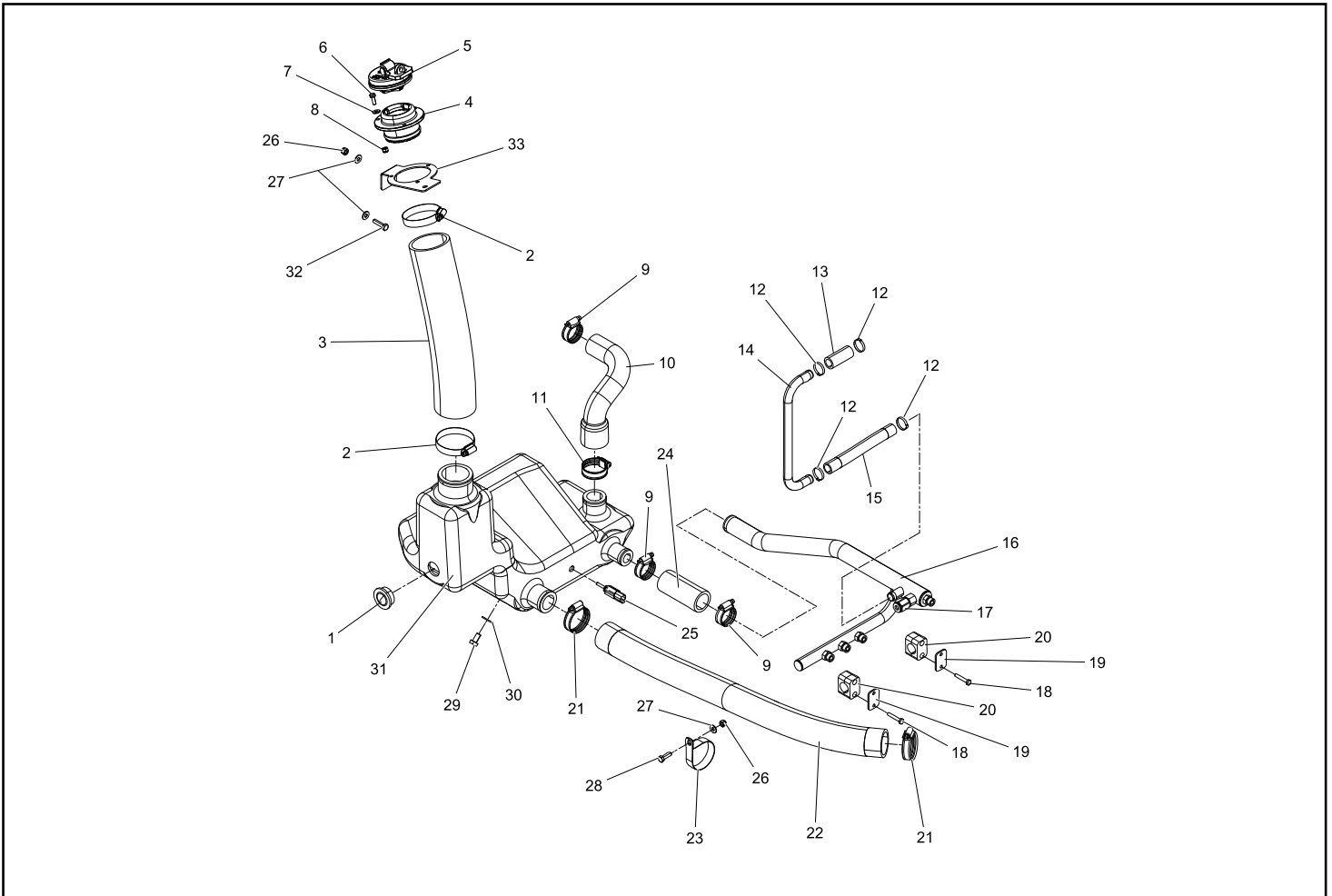


# HYDRAULIC RESERVOIR

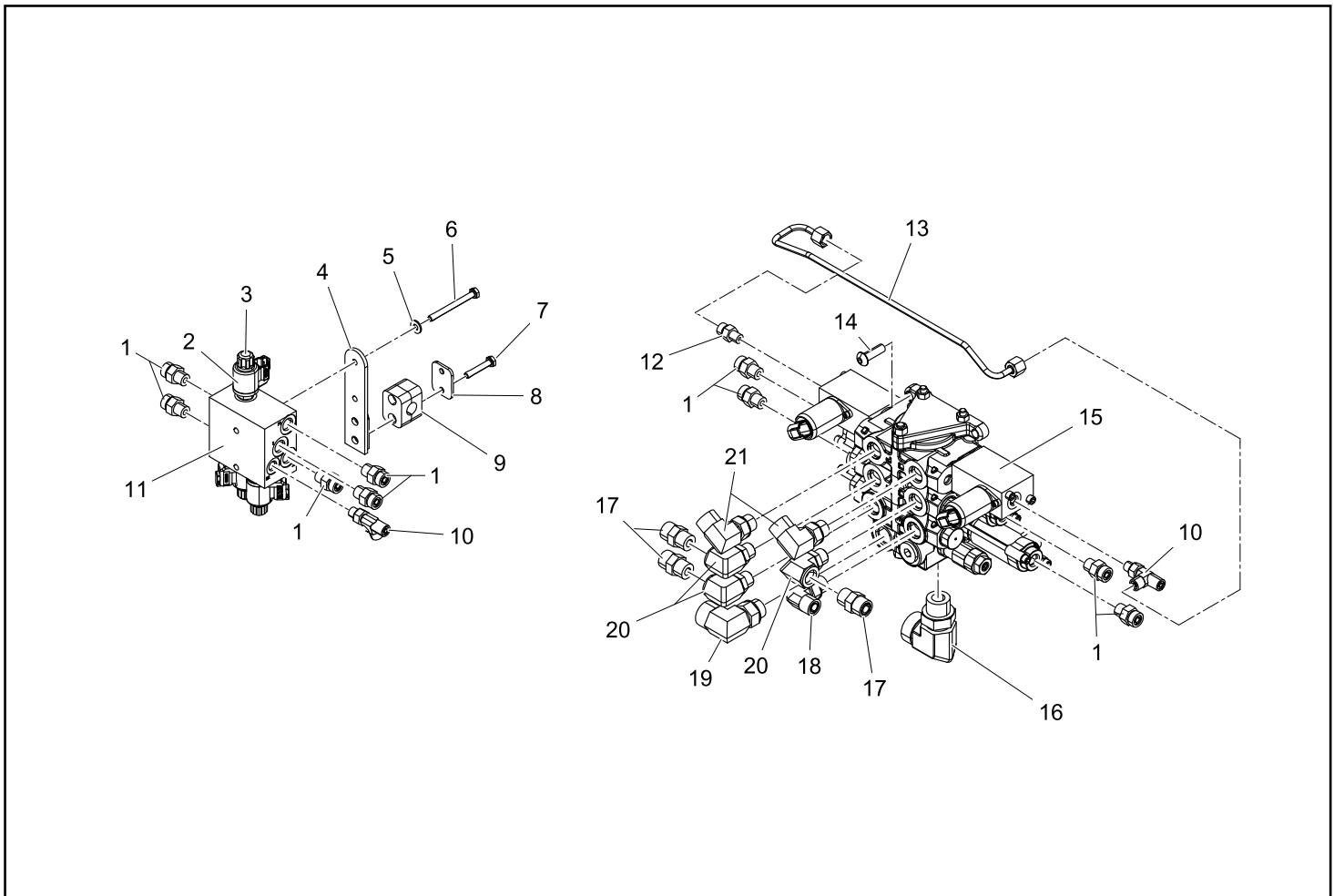
RT-40 valid from 01000

Chapter 3

REF. NO.	PART NUMBER	QTY.	DESCRIPTION	REF. NO.	PART NUMBER	QTY.	DESCRIPTION
1	2014-340	1	SIGHT GUAGE, OILTANK				
2	0303-239	2	CLAMP, HOSE, 2.5" - 3" HI TORQUE				
3	2014-958	1	HOSE, FILL, HYDRAULIC				
4	2075-992	1	NECK FILLER OIL PLASTIC				
5	2045-408	1	CAP OIL BLACK #910-0052				
6	8102-040	3	CAPSCREW,HH,1/4-20 UNCx.75,GD8 ZN				
7	8050-221	3	WASHER,FLAT,1/4,SAE				
8	8040-366	3	NUT,HEX,NYLOCK,1/4-20 UNC,ZN				
9	0315-150	3	CLAMP, SMART SEAL, #238				
10	2014-233	1	HOSE, RETURN COOLER SAE J30 R7 ID=1.5"				
11	0315-156	1	CLAMP, SMART SEAL, #288				
12	0316-026	4	CLAMP, 25.4MM TO 28.6MM STEPLESS EAR				
13	2014-570	1	HOSE CASE COUPLER				
14	2014-450	1	TUBE CASE DRAIN TRANS				
15	2014-580	1	HOSE, PUMP CASE DRAIN				
16	2014-085	1	TUBE, CASE DRAIN				
17	0315-011	1	ADAPTER, MORB, COUPLING: 3/8", CONNECTIO				
18	8102-045	4	CAPSCREW,HH,1/4-20x1.5"ZN GD8				
19	0310-826	2	COVER, CLAMP, COP-3 BEHRINGER				
20	0310-827	2	CLAMP, SET, 3100-PP BEHRINGER				
21	0315-157	2	CLAMP, SMART SEAL, #262				
22	2014-069	1	HOSE, CHARGE SUPPLY				
23	2051-981	1	CLAMP P 2-3/4" I.D				
24	2014-834	1	HOSE,TRANNY				
25	2014-571	1	SENSOR TEMP HYD OIL				
26	8040-426	2	NUT,HEX,NYLOCK,5/16-18 UNC,ZN				
27	8050-222	3	WASHER,WROUGHT,1/4,STD,ZN				
28	8102-132	1	CAPSCREW,HH,5/16-18UNCx1.0 GD8 ,ZN				
29	0090-720	4	CAPSCREW, M10-1.5 x 20mm DIN 933 CLASS 1				
30	8050-282	4	WASHER,WROUGHT,3/8,STD,ZN				
31	2014-080	1	TANK HYD OIL				
32	8102-134	1	CAPSCREW,HH,5/16-18UNCx1.25,GD8				
33	2014-954	1	BRKT FILLER HTD OIL				



REF. NO.	PART NUMBER	QTY.	DESCRIPTION	REF. NO.	PART NUMBER	QTY.	DESCRIPTION
1	0310-329	9	ADAPTER,6MFFOR-6MB 6F5OLO-S				
2	7000-625	3	COIL				
3	7000-624	3	SPOOL				
4	2014-284	1	WLMT PLATE TUBE J2				
5	8102-050	2	CAPSCREW,HH,1/4-20,UNC,2.75ZN,GD8				
6	8050-221	2	WASHER,FLAT,1/4,SAE				
7	8102-045	2	CAPSCREW,HH,1/4-20x1.5"ZN GD8				
8	0201-224	1	COVER,CLAMP,COP-2				
9	0201-223	1	CLAMP,SET,2062-PP				
10	0201-634	2	ADAPTER,FS6804-04-04-04-NWO-FG				
11	7005-675	1	MANIFOLD PILOT GENERATION SIZE 6				
12	0201-311	1	ADAPTER,FS6400-04-04-0				
13	2014-074	1	TUBE TEE PRESS AUX				
14	0090-694	3	SCREW, SHBH 3/8-16 X 1.25 ZNC				
15	2014-250	1	VALVE				
16	0310-324	1	ADAPTER,16MFFOR-12MB-90 16-12C5OL				
17	0310-345	3	ADAPTER,8MFFOR--8MB 8F5OLO-S-				
18	0310-346	1	ADAPTER,8MFFOR-8MB-90^ 8C5OLO-S				
19	0310-320	1	ADAPTER,12MFFOR-10MB-90 12-10C5OL				
20	0315-078	3	ADAPTER, 8FORB-8NWO				
21	0310-330	2	ADAPTER,10MFFOR-8MB-90 10-8C5OLO				





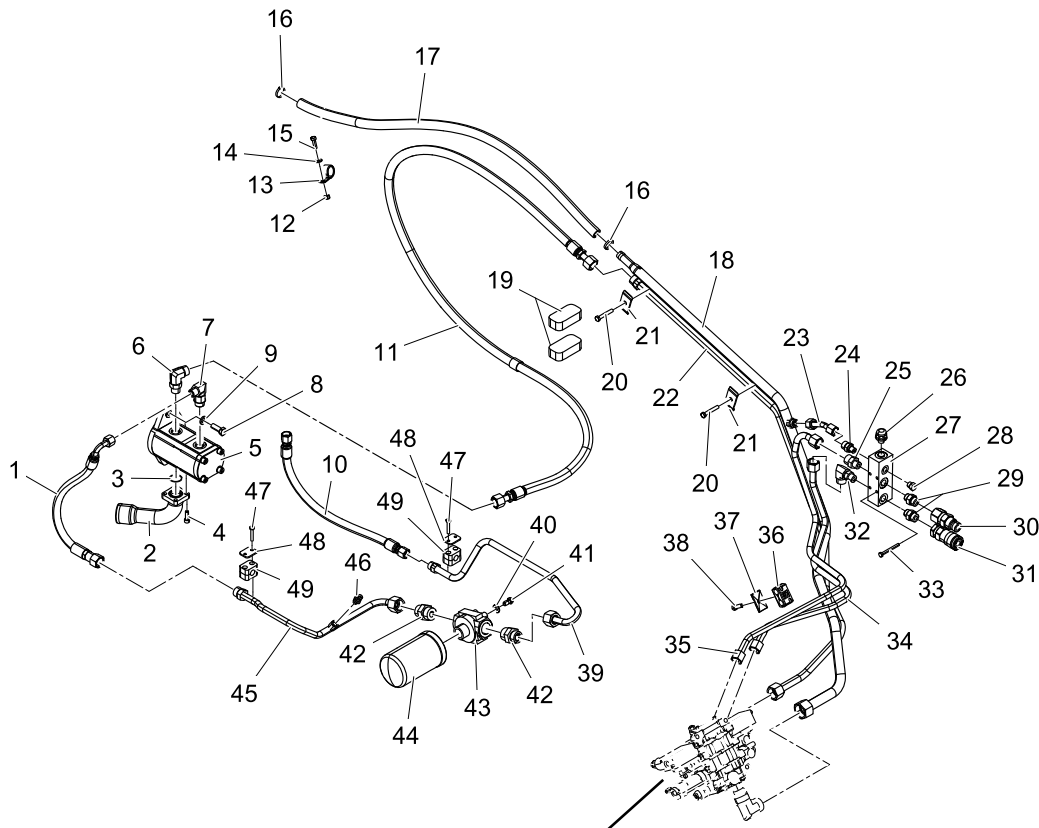
# HYDRAULIC AUXILIARY

RT-40 valid from 00100

Chapter 3

REF. NO.	PART NUMBER	QTY.	DESCRIPTION
1	2014-471	1	HOSE, -8, 1000PSI, -8FFX, -8FFX90M, 19.6
2	2014-106	1	WLMT, AUX INTAKE TUBE
3	0310-290	1	O-RING,20 ORFF
4	0090-741	4	CAPSCREW, SOC HD, M8-1.25 X 25mm, 12.9 Z
5	2046-526	1	PUMP TANDEM AUX/CHARGE
6	0201-668	1	ADAPTER,FS6801-10-10NWO
7	0090-228	1	ADAPTER 8FFORX-10MB-90 NWO FS6801-08-10-
8	0300-525	2	CAPSCREW,HH,GR10.9 M12 x 35MM 39207
9	2035-597	2	WASHER WROUGHT .531 x .886 x 0118 HARD Z
10	2014-552	1	HOSE, -8, 1000 PSI, 8FFX, 8FFX, 21.10"
11	2014-346	1	HOSE, PRESSURE CHARGE
12	8040-426	1	NUT,HEX,NYLOCK,5/16-18 UNC,ZN
13	0310-467	1	CLAMP,WIRE,1.0,RBC-1
14	8050-222	1	WASHER,WROUGHT,1/4,STD,ZN
15	8102-132	1	CAPSCREW,HH,5/16-18UNCx1.0 GD8 ,ZN
16	0316-026	2	CLAMP, 25.4MM TO 28.6MM STEPLESS EAR
17	2014-347	1	HOSE, RETURN FILTER
18	2014-057	1	TUBE RETURN
19	2014-698	2	SEAL, FOAM
20	8102-137	2	CAPSCREW,HH,5/16-18UNCx2.0 GD8 ZN
21	0304-487	2	CLAMP,PLATE
22	2014-056	1	TUBE PRESSURE
23	2014-075	1	TUBE CASE DRAIN LOADER
24	0310-567	1	ADAPTER,8MFFOR-6MB 8-6F5OLO-
25	0201-658	1	ADAPTER,10MFFOR-8MB-SV
26	0201-838	1	SPOOL,VALVE,QD BLOCK
27	0304-876	1	MANIFOLD,AUX,HYD INNOTEK 22255 QD MANI
28	0304-188	1	PLUG,6 ORING,HH BRENNON 6
29	0200-296	2	ADAPTER,O-RING HEX NIPPLE,10-8BRENNAN 6
30	0310-077	1	COUPLER,QUICK,FF,MALE, 7/8-14UNF,-8
31	0310-076	1	COUPLER,QUICK,FF, FEMALE,7/8-14 UNF,-8
32	0310-330	1	ADAPTER,10MFFOR-8MB-90 10-8C5OLO
33	8102-049	4	CAPSCREW,HH 1/4-20 x 2.50 GD8 CAPSCREW,
34	2014-054	1	TUBE AUX A
35	2014-055	1	TUBE AUX B
36	0310-831	1	CLAMP, SET, T2062-PP BEHRINGER
37	0310-584	1	PLATE,COVER TCP-T2 TCP-T2
38	8102-135	1	CAPSCREW,HH,5/16-18X1.50ZN,GD8
39	2014-548	1	TUBE CHARGE B
40	8050-262	4	WASHER,WROUGHT,5/16,STD,ZN

REF. NO.	PART NUMBER	QTY.	DESCRIPTION
41	8102-220	4	CAPSCREW,HH,3/8-16x0.75",GD8
42	2030-097	2	ADAPTER,FS6400-12-16-0
43	0201-403	1	HEAD,FILTER
44	0404-161	1	FILTER SPIN-ON HYD ( SHORT)
45	2014-547	1	TUBE CHARGE A
46	0314-044	1	COUPLING,PORT,TEST,MALE,#4SAE-M PD341
47	8102-045	4	CAPSCREW,HH,1/4-20x1.5"ZN GD8
48	0201-224	2	COVER,CLAMP,COP-2
49	0201-223	2	CLAMP,SET,2062-PP



See Page 3-2A

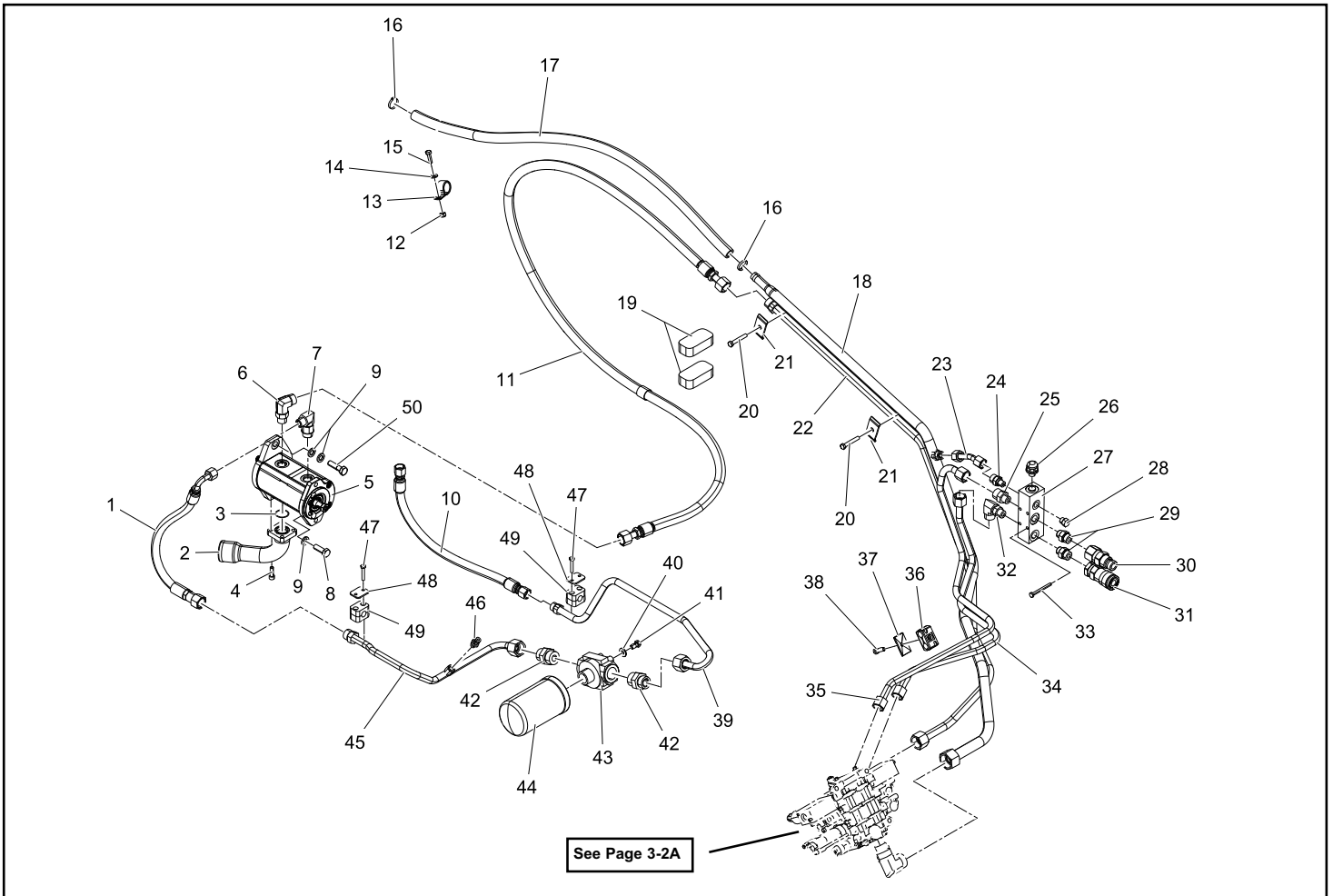
# HYDRAULIC AUXILIARY (A/C equipped)

RT-40 valid from 01000

Chapter 3

REF. NO.	PART NUMBER	QTY.	DESCRIPTION
1	2014-471	1	HOSE, -8, 1000PSI, -8FFX, -8FFX90M, 19.6
2	2014-106	1	WLMT, AUX INTAKE TUBE
3	0310-290	1	O-RING,20 ORFF
4	0090-741	2	CAPSCREW, SOC HD, M8-1.25 X 25mm, 12.9 Z
5	2014-939	1	PUMP, AUX/CHARGE, A/C
6	0201-668	1	ADAPTER,FS6801-10-10NWO
7	0090-228	1	ADAPTER 8FFORX-10MB-90 NWO FS6801-08-10-
8	0300-525	1	CAPSCREW,HH,GR10.9 M12 x 35MM 39207
9	2035-597	3	WASHER WROUGHT .531 x .886 x 0118 HARD Z
10	2014-552	1	HOSE, -8, 1000 PSI, 8FFX, 8FFX, 21.10"
11	2014-346	1	HOSE, PRESSURE CHARGE
12	8040-426	1	NUT,HEX,NYLOCK,5/16-18 UNC,ZN
13	0310-467	1	CLAMP,WIRE,1.0,RBC-1
14	8050-222	1	WASHER,WROUGHT,1/4,STD,ZN
15	8102-132	1	CAPSCREW,HH,5/16-18UNCx1.0 GD8 ,ZN
16	0316-026	2	CLAMP, 25.4MM TO 28.6MM STEPLESS EAR
17	2014-347	1	HOSE, RETURN FILTER
18	2014-057	1	TUBE RETURN
19	2014-698	2	SEAL, FOAM
20	8102-137	2	CAPSCREW,HH,5/16-18UNCx2.0 GD8 ZN
21	0304-487	2	CLAMP,PLATE
22	2014-056	1	TUBE PRESSURE
23	2014-075	1	TUBE CASE DRAIN LOADER
24	0310-567	1	ADAPTER,8MFFOR-6MB 8-6F5OLO-
25	0201-658	1	ADAPTER,10MFFOR-8MB-SV
26	0201-838	1	SPOOL,VALVE,QD BLOCK
27	0304-876	1	MANIFOLD,AUX,HYD INNOTEK 22255 QD MANI
28	0304-188	1	PLUG,6 ORING,HH BRENNON 6
29	0200-296	2	ADAPTER,O-RING HEX NIPPLE,10-8BRENNAN 6
30	0310-077	1	COUPLER,QUICK,FF,MALE, 7/8-14UNF,-8
31	0310-076	1	COUPLER,QUICK,FF, FEMALE,7/8-14 UNF,-8
32	0310-330	1	ADAPTER,10MFFOR-8MB-90 10-8C5OLO
33	8102-049	4	CAPSCREW,HH 1/4-20 x 2.50 GD8 CAPSCREW,
34	2014-054	1	TUBE AUX A
35	2014-055	1	TUBE AUX B
36	0310-831	1	CLAMP, SET, T2062-PP BEHRINGER
37	0310-584	1	PLATE,COVER TCP-T2 TCP-T2
38	8102-135	1	CAPSCREW,HH,5/16-18X1.50ZN,GD8
39	2014-548	1	TUBE CHARGE B
40	8050-262	4	WASHER WROUGHT,5/16,STD,ZN

REF. NO.	PART NUMBER	QTY.	DESCRIPTION
41	8102-220	4	CAPSCREW,HH,3/8-16x0.75",GD8
42	2030-097	2	ADAPTER,FS6400-12-16-0
43	0201-403	1	HEAD,FILTER
44	0404-161	1	FILTER SPIN-ON HYD ( SHORT) LOG
45	2014-547	1	TUBE CHARGE A
46	0314-044	1	COUPLING,PORT,TEST,MALE,#4SAE-M PD341
47	8102-045	4	CAPSCREW,HH,1/4-20x1.5"ZN GD8
48	0201-224	2	COVER,CLAMP,COP-2
49	0201-223	2	CLAMP,SET,2062-PP
50	0090-717	1	CAPSCREW M12 X 1.75 X 45MM GD 10.9





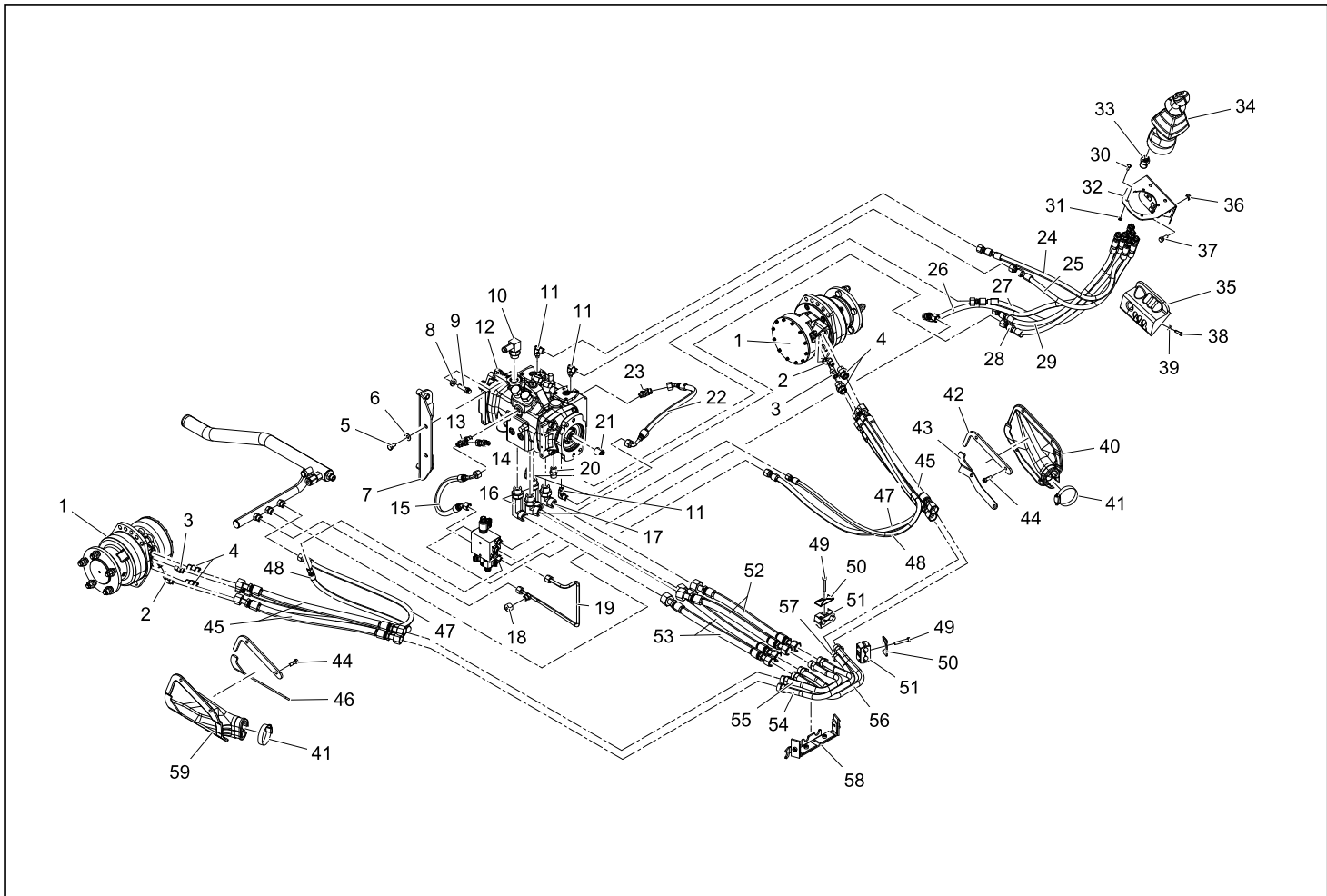
# HYDRAULIC DRIVE

RT-40 valid from 00100

Chapter 3

REF. NO.	PART NUMBER	QTY.	DESCRIPTION
1	2014-358	2	MOTOR, HYD MCR3 SERIES 33, 365 CC
2	2045-600	2	ADAPTER FS6802-04-06-NWO
3	0310-329	2	ADAPTER,6MFFOR-6MB 6F5OLO-S
4	0315-010	4	ADAPTER, HYD, 10 F5OLO-S,TRAP SEAL
5	0090-720	2	CAPSCREW, M10-1.5 x 20mm DIN 933 CLASS 1
6	8050-282	2	WASHER,WROUGHT,3/8,STD,ZN
7	7071-759	1	WLMT, SUPPORT, DRIVE PUMP
8	0090-136	2	WASHER HARD 1.0 X .531 X .197
9	0304-133	2	CAPSCREW,12PT,1/2-13UNC X 1.5"GD8,ZN
10	0090-629	1	ADAPTER 4601-12-12-NWO
11	0310-557	4	ADAPTER,6MFFOR-4MB-90 6-4C5OLO-
12	5020-003	1	PUMP, TANDEM, 28CC SERIES 40, MACHINED P
13	2030-093	1	ADAPTER,FS6804-06-06-06-NWO
14	0315-160	1	ADAPTER, TEST PORT, 6FFORX (PARKER PD36
15	2014-460	1	HOSE, -6, 1000 PSI, 6-6FFORS, 6-6FFORX90
16	0201-316	2	ADAPTER,FS6801-L-12-12-NWO
17	0310-321	2	ADAPTER,12MFFOR-12MB90 12C5OLO-S
18	0310-337	1	ADAPT CAP 6FFOR
19	2014-449	1	TUBE TANK PILOT GEN
20	0310-345	1	ADAPTER,8MFFOR--8MB 8F5OLO-S-
21	0200-355	1	ADAPTER,SPLINE
22	2014-459	1	HOSE, -6, 1000 PSI, 6-6FFORS, 6-6FFORX90
23	0315-162	1	ADAPTER, 6ORFS, 6MORB, 45°, .052 ORIFICE
24	2014-326	1	HOSE (PILOT DRIVE D)
25	2014-325	1	HOSE (PILOT DRIVE C)
26	2014-298	1	HOSE, -6, 1000 PSI, 04FFX, 06FFX, 80.4"
27	2014-328	1	HOSE (PILOT DRIVE F)
28	2014-327	1	HOSE (PILOT DRIVE E)
29	2014-344	1	HOSE, TANK PILOT DRIVE
30	8102-040	4	CAPSCREW,HH,1/4-20 UNCx.75,GD8 ZN
31	8040-366	4	NUT,HEX,NYLOCK,1/4-20 UNC,ZN
32	0200-600	1	MNTS JOYSTICK
33	0304-441	1	SWITCH,PRESSURE NASON #MM-11A-7
34	7000-441	1	JOYSTICK DRIVE LEFT 4TH6 I SL
35	2014-674	1	BOOT PILOT LH
36	0314-269	3	NUT,FLANGE,TOPLK,3/8-16UNC,GDG,ZN
37	8102-222	3	CAPSCREW,HH,3/8-16 UNCx1.0,GD8,ZN
38	8102-047	2	CAPSCREW,HH,1/4-20 UNCx2.0,GD8
39	8050-221	2	WASHER,FLAT,1/4,SAE
40	2014-558	1	HOSE BOOT LH

REF. NO.	PART NUMBER	QTY.	DESCRIPTION
41	0303-175	2	HOSE,CLAMP,2.75,HI-TORQUE HOSE,CLAM
42	2014-770	2	PLATE UPPER BOOT
43	2014-771	1	PLATE BOOT LOWER LH
44	0090-315	8	BOLT SHOULDER 3/8 X 5/8 GD 8
45	2014-466	4	HOSE, -10, 6000 PSI, OR13J1010-2J, OR13J
46	2014-772	1	PLATE BOOT LOWER RH
47	2014-467	2	HOSE, -06, 1000 PSI, FFX-06-06, 0314-530
48	2014-470	2	HOSE, -04, 1000 PSI, FFX-04-04, FFX-04-0
49	8102-137	4	CAPSCREW,HH,5/16-18UNCx2.0 GD8 ZN
50	0310-828	4	COVER, CLAMP, 3/4" TCP-T3 BEHRINGER
51	0310-733	4	INSERT,CLAMP,TWIN.75" T3075-PP T3075-PP
52	2014-469	2	HOSE, DRIVE RH
53	2014-468	2	HOSE, DRIVE LH
54	2014-500	1	TUBE DRIVE LOWER RH
55	2014-501	1	TUBE DRIVE UPPER RH
56	2014-465	1	TUBE DRIVE OUTER LH
57	2014-464	1	TUBE DRIVE INNER LH
58	2014-492	1	WLMT PLATE TUBE DRIVE
59	2014-559	1	HOSE BOOT RH



# Chapter 4

## Electrical

### **4-1 Switches / Dash Panel**

RT-40 Serial # valid from - 00100 **4-1A**

### **4-2 Battery / Harnesses**

RT-40 Serial # 00100 - 00999 **4-2A**

RT-40 Serial # valid from - 01000 **4-2B**

### **4-3 Fuse Panel**

RT-40 Serial # valid from - 00100 **4-3A**

### **4-4 Exterior Lights**

RT-40 Serial # valid from - 00100 **4-4A**

**\* Parts manuals are updated frequently. To ensure current parts information, always refer to the latest version of this manual (posted online, consult your dealer).**

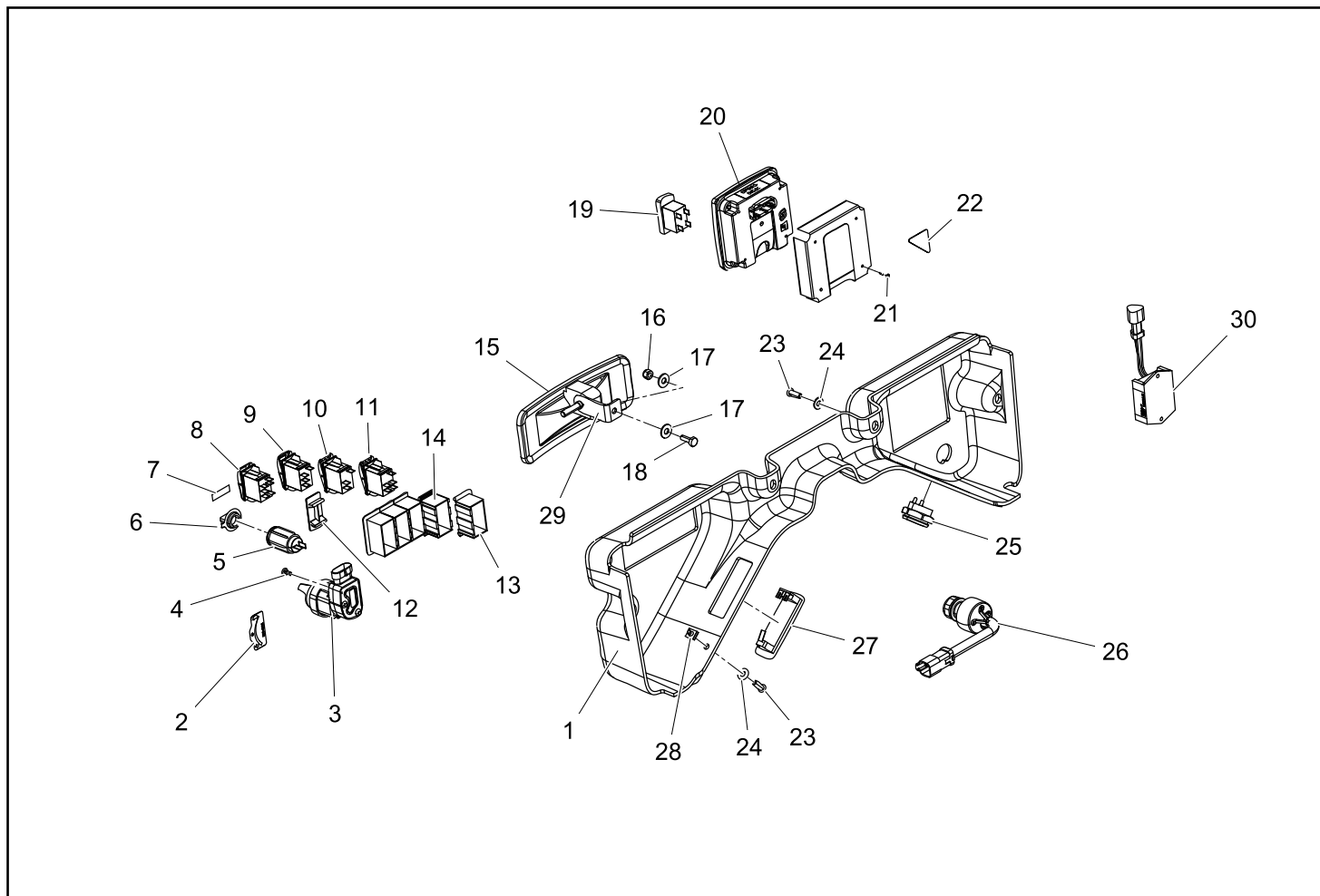
**NOTE:** When ordering parts that are painted, a specific part number format is required. Please refer to page II of this manual for paint code and ordering information.

# SWITCHES / DASH PANEL

RT-40 valid from 00100

Chapter 4

REF. NO.	PART NUMBER	QTY.	DESCRIPTION	REF. NO.	PART NUMBER	QTY.	DESCRIPTION
1	2014-134	1	PANEL, GAUGE				
2	2013-435	1	DECAL THROTTLE				
3	7071-080	1	THROTTLE, HAND, DUAL				
4	0090-507	2	SCREW, PAN HEAD, M5 X 10MM CLEAR ZINC				
5	0200-264	1	HOUSING,POWER SOURCE				
6	0200-265	1	CAP,HOUSING,POWER SOURCE				
7	2010-204	1	DECAL SWITCH DASH PANEL PT30				
8	0200-252	1	SWITCH,3 POSITION,LOCKING				
9	2045-413	1	SWITCH LOCKING PARK				
10	0310-133	1	SWITCH,BEACON V1D2BNOC-A9C63-100-XAS1IN				
11	0310-126	1	SWITCH,LIGHT VAD2BNOC-A9C45-100-XAS1IND				
12	0310-138	1	PLUG VHP-01 INDEX # 390-09002-001				
13	0310-136	2	FRAME END VME-01				
14	0310-137	3	FRAME MID IMM-01				
15	2030-409	1	MIRROR REAR VIEW 3X8				
16	8040-366	1	NUT,HEX,NYLOCK,1/4-20 UNC,ZN				
17	8050-222	2	WASHER,WROUGHT,1/4,STD,ZN				
18	8102-040	1	CAPSCREW,HH,1/4-20 UNCx.75,GD8 ZN				
19	2014-323	1	INDICATOR GLOW PLUG				
20	7010-735	1	DISPLAY DP200 W/ EIC SOFTWARE				
21	0090-478	4	SCREW PPH #4 x 5/8" SELF TAP				
22	0404-765	1	DECAL, ISO WAIT TI START PRE HEAT				
23	0090-700	6	CAPSCREW STEEL BUTTON SOCKET HEX DRIVE Z				
24	8050-221	6	WASHER,FLAT,1/4,SAE				
25	0090-268	1	BUZZER				
26	0304-028	1	SWITCH,IGNITION,RC 154-3197				
27	2030-245	1	LIGHT DOME				
28	0090-163	2	NUT U 10-24 UNC				
29	7005-783	1	MOUNT ANGLE MIRROR				
30	7011-185	1	MODULE SEAT				

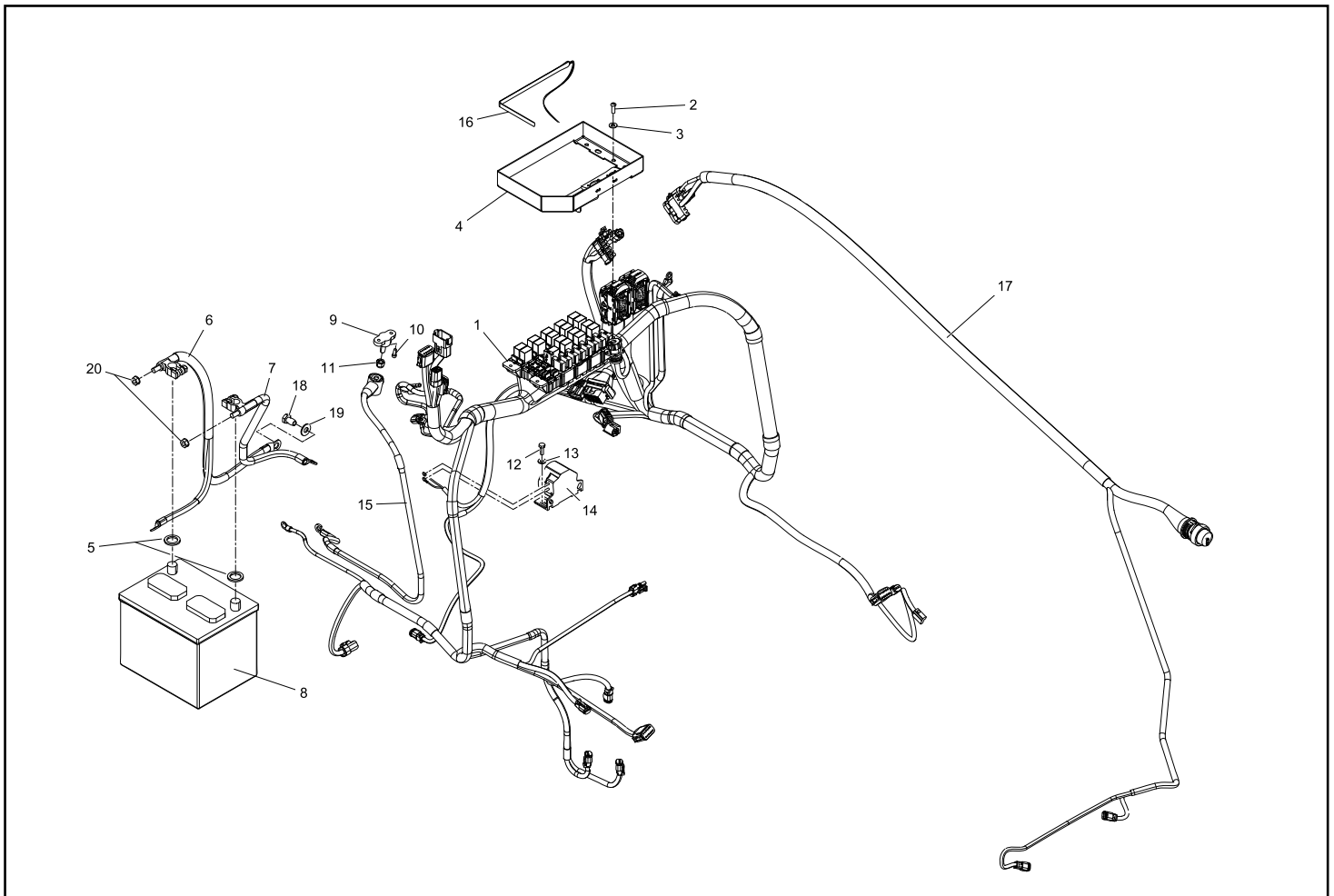


# BATTERY / HARNESSSES

RT-40 00100 - 00999

Chapter 4

REF. NO.	PART NUMBER	QTY.	DESCRIPTION	REF. NO.	PART NUMBER	QTY.	DESCRIPTION
1	2014-301	1	HARNESS CHASSIS				
2	0090-700	4	CAPSCREW STEEL BUTTON SOCKET HEX DRIVE Z				
3	8050-221	4	WASHER,FLAT,1/4,SAE				
4	2095-760	1	WELDMENT FUSE BOX SHALLOW				
5	0301-083	2	PROTECTOR, POST, BATTERY				
6	2014-304	1	HARNESS NEGATIVE BATTERY CABLE				
7	2014-303	1	HARNESS POSITIVE BATTERY CABLE				
8	2014-324	1	BATTERY, MT-86, 550CCA				
9	2095-376	1	STUD JUNCTION POWER				
10	8105-429	2	CAPSCREW,SOC HD,10-24X5/8,BLZNCAPSCREW,				
11	8040-486	1	NUT,HEX,NYLOCK,3/8-16 UNC,ZN				
12	8102-040	2	CAPSCREW,HH,1/4-20 UNCx.75,GD8 ZN				
13	8050-221	1	WASHER,FLAT,1/4,SAE				
14	0400-964	1	ALARM, BACKUP				
15	2014-311	1	HARNESS CABLE RED				
16	2095-595	1	LIGHT LED FUSE PANEL				
17	2014-305	1	HARNESS AUXILIARY LOADER				
18	0090-666	1	CAPSCREW, M10-1.25 x 20MM DIN 961 Class 10.9				
19	8050-282	1	WASHER,WROUGHT,3/8,STD,ZN				
20	2035-344	2	NUT SERRATED FLANGE,3/8-16,UNC,WHIZLOCK,GD8				

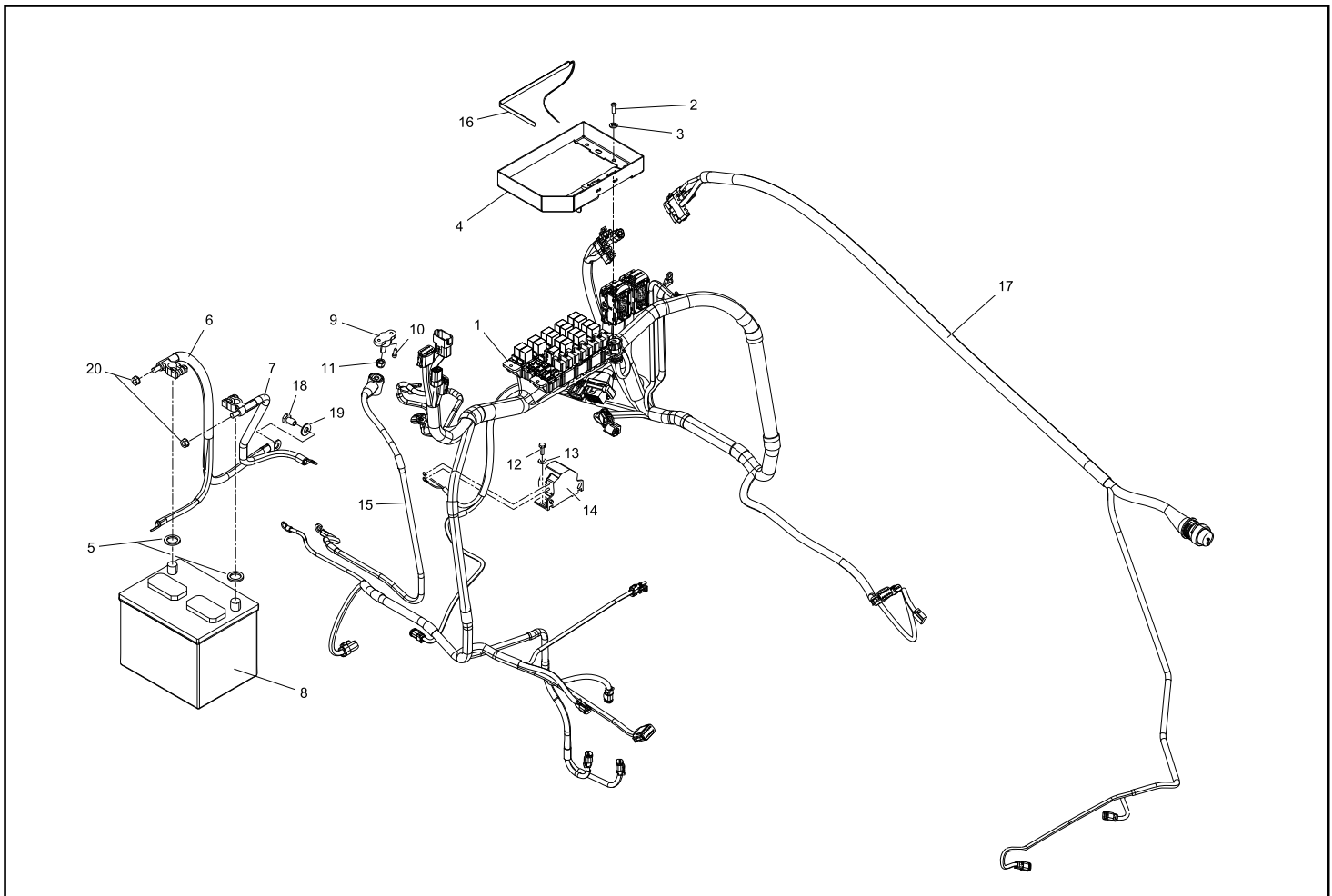


# BATTERY / HARNESSSES

RT-40 valid from 01000

Chapter 4

REF. NO.	PART NUMBER	QTY.	DESCRIPTION	REF. NO.	PART NUMBER	QTY.	DESCRIPTION
1	2014-942	1	HARNESS CHASSIS				
2	0090-700	4	CAPSCREW STEEL BUTTON SOCKET HEX DRIVE Z				
3	8050-221	4	WASHER,FLAT,1/4,SAE				
4	2095-760	1	WELDMENT FUSE BOX SHALLOW				
5	0301-083	2	PROTECTOR, POST, BATTERY				
6	2014-304	1	HARNESS NEGATIVE BATTERY CABLE				
7	2014-303	1	HARNESS POSITIVE BATTERY CABLE				
8	2014-324	1	BATTERY, MT-86, 550CCA				
9	2095-376	1	STUD JUNCTION POWER				
10	8105-429	2	CAPSCREW,SOC HD,10-24X5/8,BLZNCAPSCREW,				
11	8040-486	1	NUT,HEX,NYLOCK,3/8-16 UNC,ZN				
12	8102-040	2	CAPSCREW,HH,1/4-20 UNCx.75,GD8 ZN				
13	8050-221	1	WASHER,FLAT,1/4,SAE				
14	0400-964	1	ALARM, BACKUP				
15	2014-311	1	HARNESS CABLE RED				
16	2095-595	1	LIGHT LED FUSE PANEL				
17	2014-305	1	HARNESS AUXILIARY LOADER				
18	0090-666	1	CAPSCREW, M10-1.25 x 20MM DIN 961 Class 10.9				
19	8050-282	1	WASHER,WROUGHT,3/8,STD,ZN				
20	2035-344	2	NUT SERRATED FLANGE,3/8-16,UNC,WHIZLOCK,GD8				

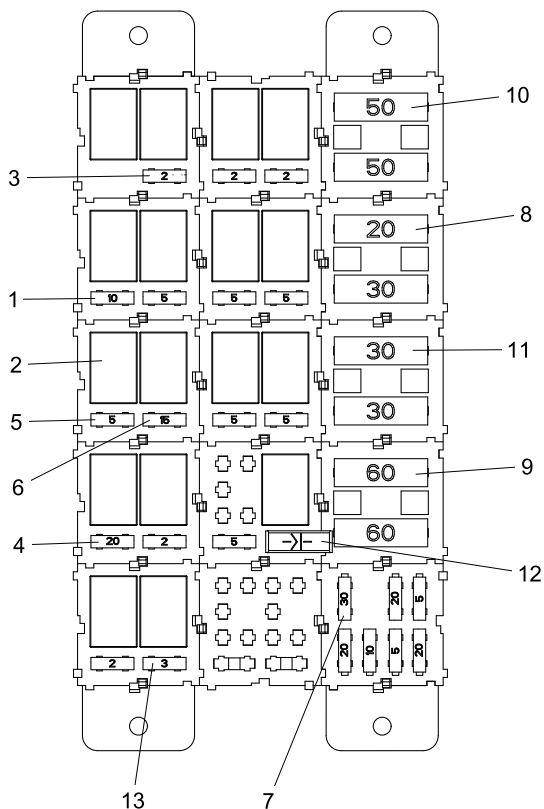


# FUSE PANEL

RT-40 valid from 00100

Chapter 4

REF. NO.	PART NUMBER	QTY.	DESCRIPTION	REF. NO.	PART NUMBER	QTY.	DESCRIPTION
1	0310-795	2	FUSE,MINI,10 AMP 77105				
2	7071-853	17	DIODE RELAY, SONG CHUAN, 301-1C-C-D1				
3	0310-793	5	FUSE,MINI,2 AMP 77015				
4	0310-797	4	FUSE,MINI,20 AMP 77205				
5	0310-794	9	FUSE,MINI, 5 AMP 77055				
6	0310-796	1	FUSE,MINI,15 AMP 77155				
7	0310-799	1	FUSE,MINI,30 AMP 77305				
8	0310-800	1	FUSE,MAXI,20 AMP 78501				
9	0310-804	2	FUSE,MAXI, 60 AMP 78505				
10	0310-803	2	FUSE,MAXI, 50 AMP 78504				
11	0310-801	3	FUSE,MAXI, 30 AMP 78502				
12	0314-531	1	3 AMP MINI DIODE				
13	0314-522	1	MINI FUSE, 3 AMP				



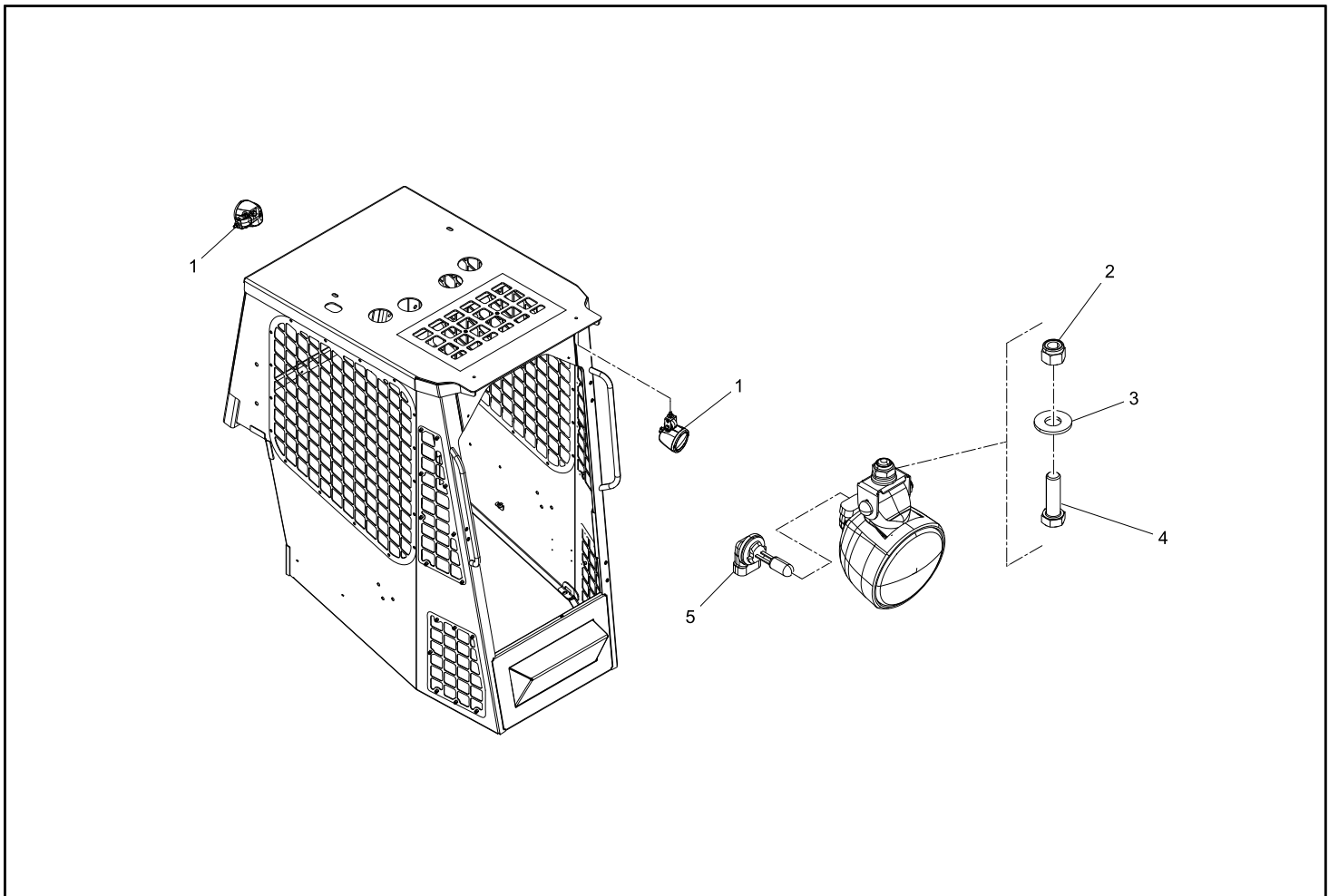
# EXTERIOR LIGHTS

RT-40 valid from 00100

Chapter 4

REF. NO.	PART NUMBER	QTY.	DESCRIPTION
1	2014-243	3	LIGHT, PEDESTAL
2	8040-426	3	NUT,HEX,NYLOCK,5/16-18 UNC,ZN
3	8050-262	3	WASHER,WROUGHT,5/16,STD,ZN
4	8102-132	3	CAPSCREW,HH,5/16-18UNCx1.0 GD8 ,ZN
5	0404-093	3	BULB H3

REF. NO.	PART NUMBER	QTY.	DESCRIPTION



# Chapter 5

## Undercarriage

### **5-1 Axles / Tracks**

RT-40 Serial # valid from - 00100 **5-1A**

### **5-2 Undercarriage Assembly STD RT**

RT-40 Serial # valid from - 00100 **5-2A**

### **5-3 Undercarriage Assembly STD LT**

RT-40 Serial # valid from - 00100 **5-3A**

### **5-4 Undercarriage Assembly OPT RT**

RT-40 Serial # valid from - 00100 **5-4A**

### **5-5 Undercarriage Assembly OPT LT**

RT-40 Serial # valid from - 00100 **5-5A**

**\* Parts manuals are updated frequently. To ensure current parts information, always refer to the latest version of this manual (posted online, consult your dealer).**

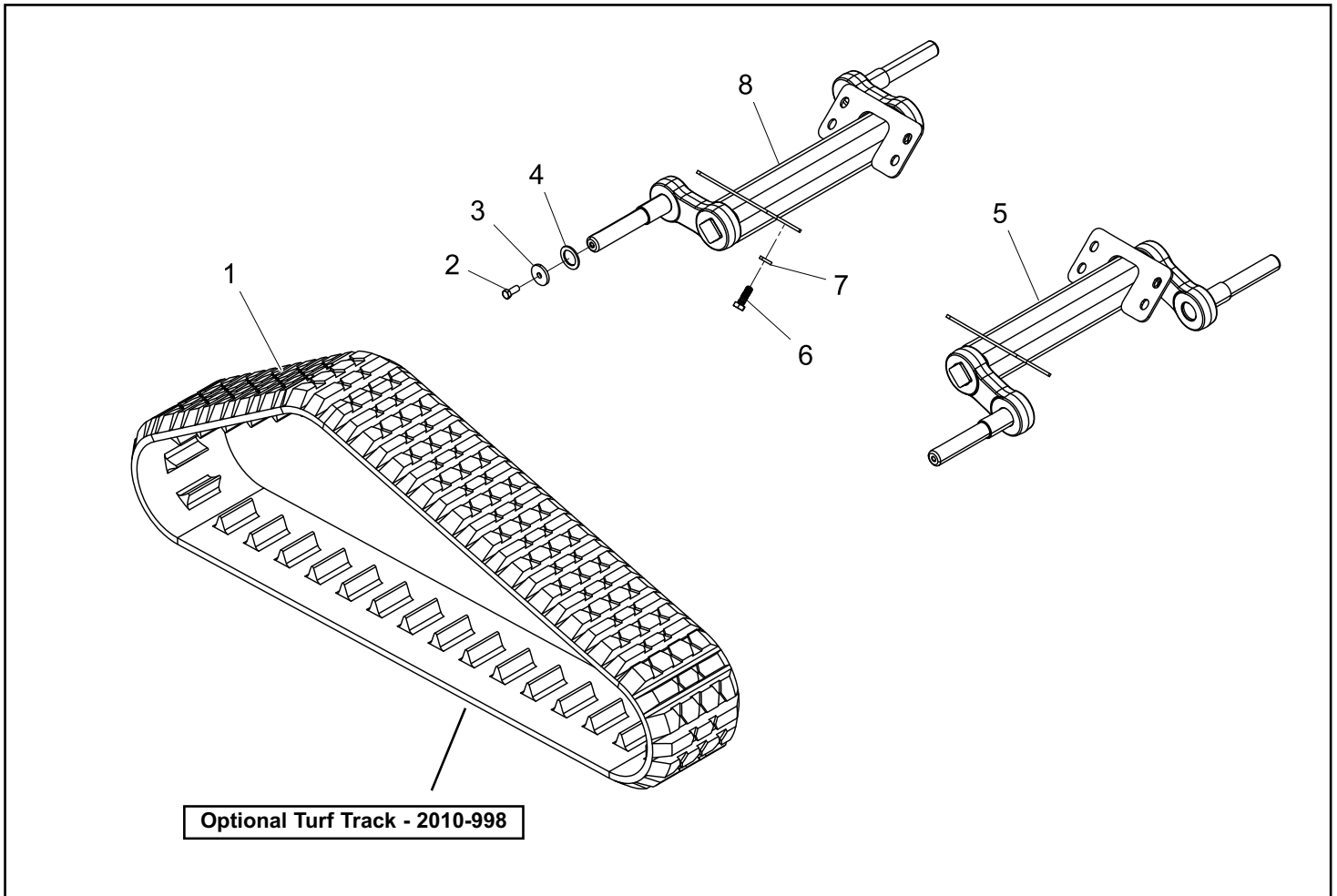
**NOTE:** When ordering parts that are painted, a specific part number format is required. Please refer to page II of this manual for paint code and ordering information.

# AXLES / TRACKS

RT-40 valid from 00100

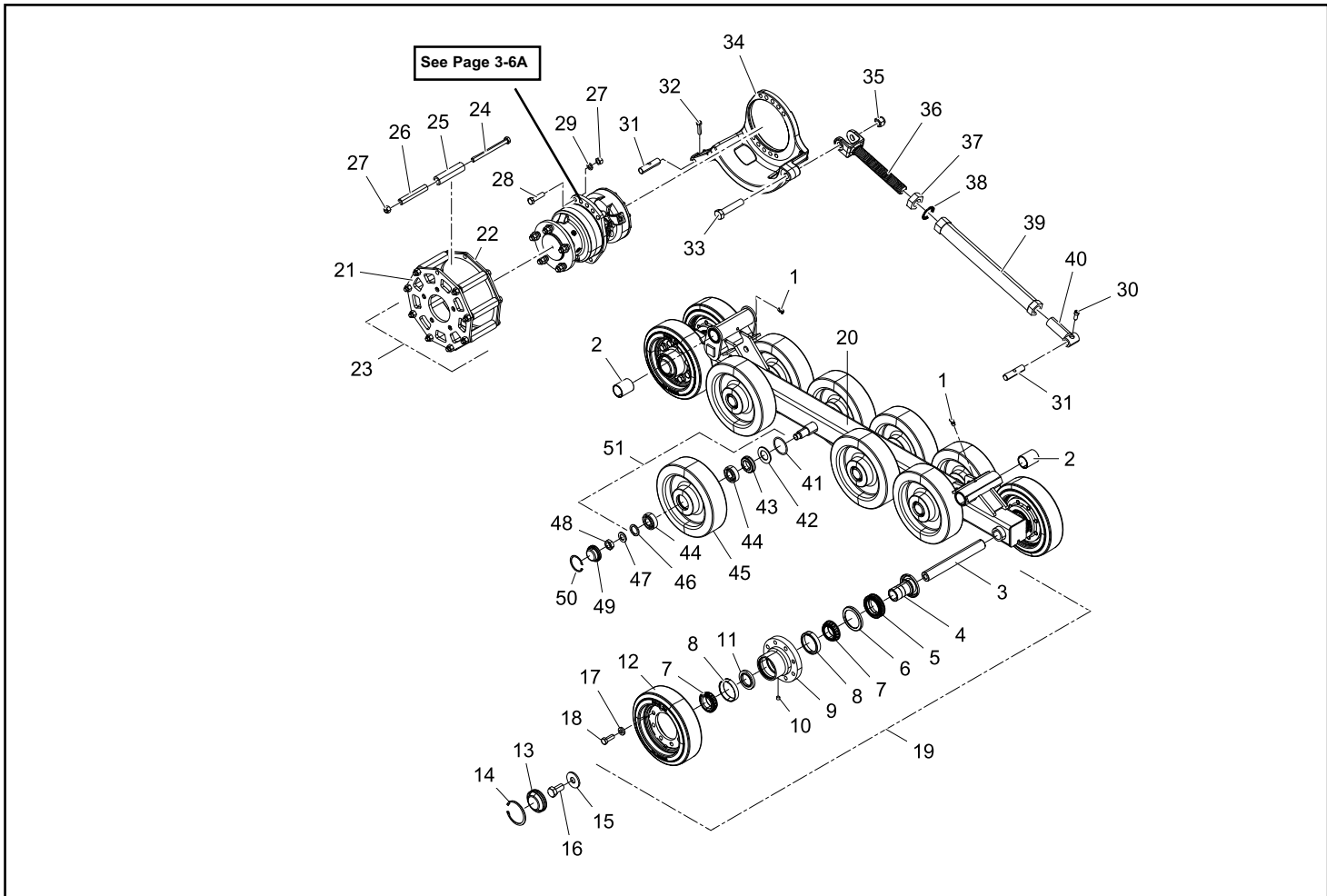
Chapter 5

REF. NO.	PART NUMBER	QTY.	DESCRIPTION	REF. NO.	PART NUMBER	QTY.	DESCRIPTION
1	2010-999	2	TRACK, 11"x149"				
2	8102-404	4	CAPSCREW,HH 1/2-13UNCx1.25 GD8 ZN				
3	0304-100	4	WASHER,1/4"THICK YELLOW DI CHROMATE				
4	2010-669	4	SPACER 1.50 X 2.25 X .134				
5	2013-048	1	AXLE FRONT ASSEMBLY				
6	0090-750	16	CAPSCREW, HH, 5/8"-11 x 1-1/4" GRADE 8 YZ				
7	0700-287	16	WASHER,16mmX30mmX5mm				
8	2014-572	1	AXLE REAR ASSEMBLY				



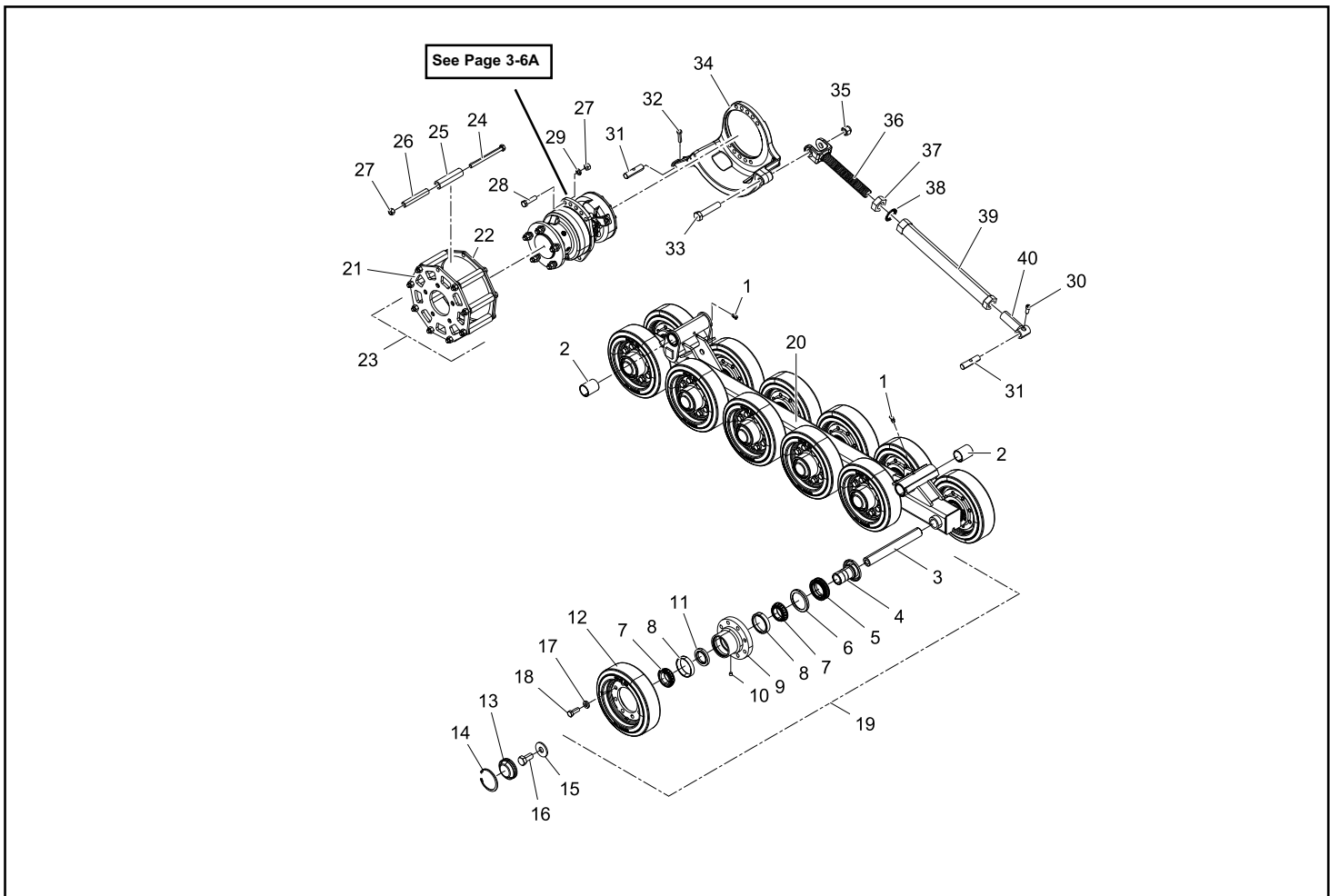
REF. NO.	PART NUMBER	QTY.	DESCRIPTION
1	0304-427	2	FITTING,GREASE,1/8 NPT x 45° FITTING,G
2	2010-065	4	BUSHING,DU,1.50X1.66X2 BUSHING,D
3	2010-838	2	AXLE, WHEEL, FACESEAL
4	0702-367	4	WLMT RETAINER 53MM
5	2035-438	4	ASSY, SEAL, 53 MM
6	2035-391	4	RETAINER INNER 53MM
7	0702-509	8	BEARING CONE LM5013349 PEER
8	0702-508	8	BEARING CUP LM501310 PEER
9	0702-361	4	HUB 10" 8 BOLT MACHINED
10	2035-479	4	PLUG 1/8" NPT HEX CS
11	0702-368	4	SEAL LIP
12	2035-644	4	WHEEL 10" ALPHA BOLT ON
13	2010-899	4	CAP, HUB, RUBBER BONDED
14	0702-371	4	SNAP RING .093 x .3.25
15	2010-839	4	WASHER, HARD, 2.125 OD
16	8102-675	4	CAPSCREW,3/4-10UNCx1.5,GD8,ZN
17	0090-136	32	WASHER HARD 1.0 X .531 X .197
18	2035-659	32	CAPSCREW HH 1/2-13 x 1.375 GR8
19	0702-605	4	ASSEMBLY HUB 10" W/RUBBER WHEEL(CAT # 3
20	2014-555	1	WLMT, RAIL, SMALL, FC, F&R
21	2010-569	1	PLATE, SPROCKET PT30 REXROTH
22	2010-034	1	RING,SPROCKET,10.623
23	2010-783	1	ASSEMBLY SPROCKET PT30
24	8102-418	9	CAPSCREW,HH,1/2-13UNCx 6.0,GD8,ZN
25	0304-806	9	TUBE,SPROCKET 1.125 OD
26	0304-098	9	TOOTH,DRIVE,SPROCKET TOOTH,DRI
27	0700-124	19	NUT,TOPLock,1/2-13UNC,ZN,GD8
28	8102-407	10	CAPSCREW,HH,1/2-13UNCx2.0,GD8,CAPSCREW,
29	2035-597	10	WASHER WROUGHT .531 x .886 x 0118 HARD Z
30	2035-471	1	CAPSCREW SOC HD 3/8-16 x 1
31	2035-308	2	PIN,TENSIONER,THREADED
32	8102-225	1	CAPSCREW,HH,3/8-16 UNCx1.5,GD8,ZN
33	0304-408	1	CAPSCREW,HH,3/4-10UNC3.75,GD8,CAPSCREW,
34	2014-582	1	TABLE, MACHINED RH
35	8040-786	1	NUT,HEX,NYLOCK,3/4-10 UNC,ZN
36	2035-448	1	CLEVIS END TENSIONER MACHINED
37	0090-317	1	NUT HEX 1.25-7 UNC JAM ZINC
38	0090-262	1	WASHER SAFETY S33-1.25"
39	2014-597	1	WLMT, TENSIONER BODY
40	2010-046	1	WLMT,THREADED-TLH

REF. NO.	PART NUMBER	QTY.	DESCRIPTION
41	0702-114	8	RING,RETAINER,INT RING,RETA
42	0304-117	8	GUARD,BEARING GUARD,BEA
43	0303-141	8	SEAL,APY,1.250x2.062x.450 SEAL,APY,
44	0302-591	16	BEARING,BALL,6205 W/O SEALS BEARING,B
45	0304-101	8	WHEEL,10" WHEEL,10"
46	0304-097	8	SPACER,BEARING 1.0 ID X1.5 OD X 1/8 THI
47	0090-204	8	WASHER BEARING
48	0304-722	8	NUT,HEX,JAM,LOCKING,3/4-10UNC THIN FAST
49	2010-142	8	HUB CAP RUBBER BONDED
50	0304-319	8	RING,SNAP,INNER WHEEL,PLATED RING,SNAP
51	0304-606	8	ASSY,WHEEL,BOGIE

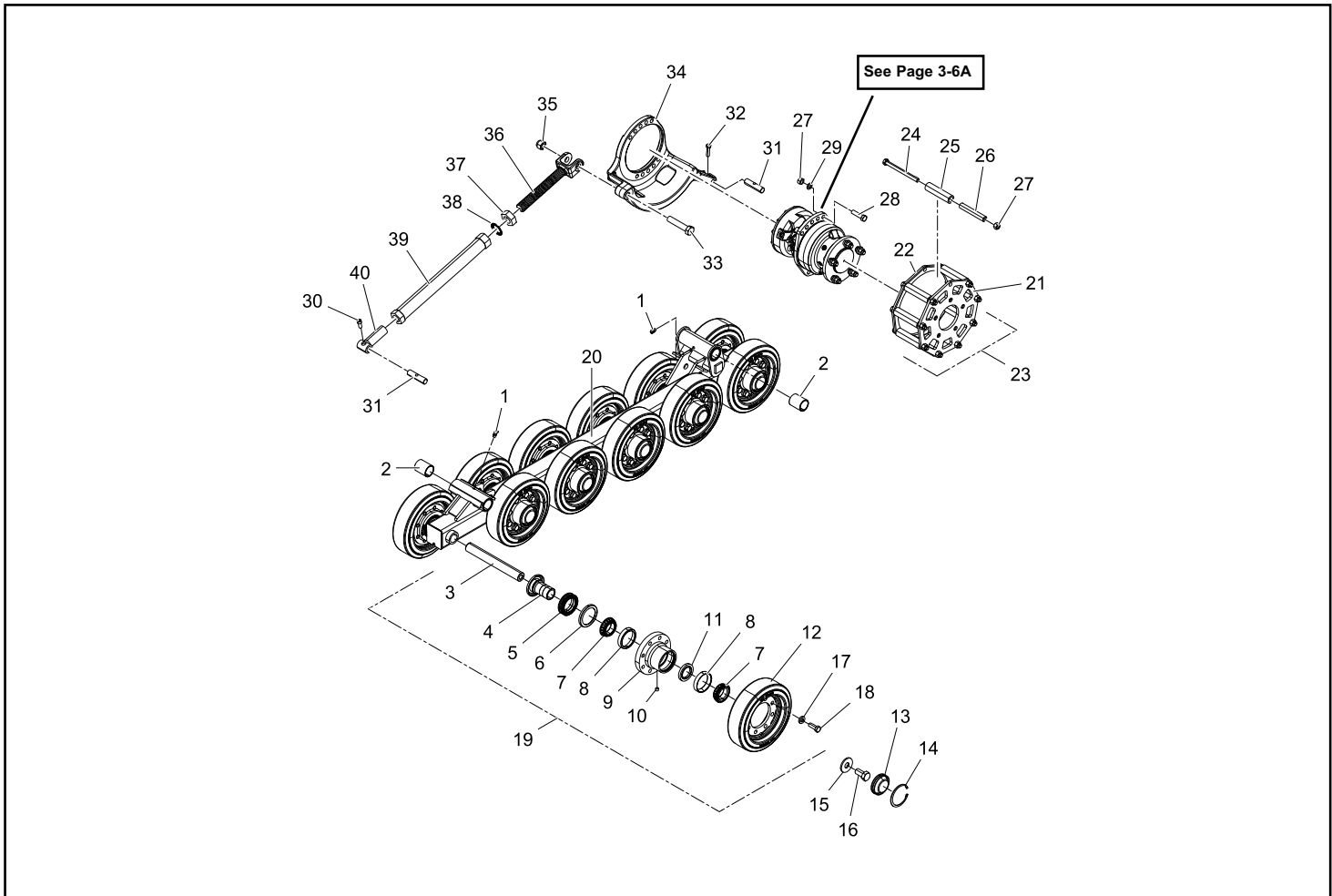




REF. NO.	PART NUMBER	QTY.	DESCRIPTION	REF. NO.	PART NUMBER	QTY.	DESCRIPTION
1	0304-427	2	FITTING,GREASE,1/8 NPT x 45° FITTING,G				
2	2010-065	4	BUSHING,DU,1.50X1.66X2 BUSHING,D				
3	2010-838	6	AXLE, WHEEL, FACESEAL				
4	0702-367	12	WLMT RETAINER 53MM				
5	2035-438	12	ASSY, SEAL, 53 MM				
6	2035-391	12	RETAINER INNER 53MM				
7	0702-509	24	BEARING CONE LM5013349 PEER				
8	0702-508	24	BEARING CUP LM501310 PEER				
9	0702-361	12	HUB 10" 8 BOLT MACHINED				
10	2035-479	12	PLUG 1/8" NPT HEX CS				
11	0702-368	12	SEAL LIP				
12	2035-644	12	WHEEL 10" ALPHA BOLT ON				
13	2010-899	12	CAP, HUB, RUBBER BONDED				
14	0702-371	12	SNAP RING .093 x .325				
15	2010-839	12	WASHER, HARD, 2.125 OD				
16	8102-675	12	CAPSCREW,3/4-10UNCx1.5,GD8,ZN				
17	0090-136	96	WASHER HARD 1.0 X .531 X .197				
18	2035-659	96	CAPSCREW HH 1/2-13 x 1.375 GR8				
19	0702-605	12	ASSEMBLY HUB 10" W/RUBBER WHEEL(CAT # 3				
20	2014-557	1	WLMT, RAIL, SMALL W/FACESEAL				
21	2010-569	1	PLATE, SPROCKET PT30 REXROTH				
22	2010-034	1	RING,SPROCKET,10.623				
23	2010-783	1	ASSEMBLY SPROCKET PT30				
24	8102-418	9	CAPSCREW,HH,1/2-13UNCx 6.0,GD8,ZN				
25	0304-806	9	TUBE,SPROCKET 1.125 OD				
26	0304-098	9	TOOTH,DRIVE,SPROCKET TOOTH,DRI				
27	0700-124	19	NUT,TOPLLOCK,1/2-13UNC,ZN,GD8				
28	8102-407	10	CAPSCREW,HH,1/2-13UNCx2.0,GD8,CAPSCREW,				
29	2035-597	10	WASHER WROUGHT .531 x .886 x 0118 HARD Z				
30	2035-471	1	CAPSCREW SOC HD 3/8-16 x 1				
31	2035-308	2	PIN,TENSIONER,THREADED				
32	8102-225	1	CAPSCREW,HH,3/8-16 UNCx1.5,GD8,ZN				
33	0304-408	1	CAPSCREW,HH,3/4-10UNC3.75,GD8,CAPSCREW,				
34	2014-582	1	TABLE, MACHINED RH				
35	8040-786	1	NUT,HEX,NYLOCK,3/4-10 UNC,ZN				
36	2035-448	1	CLEVIS END TENSIONER MACHINED				
37	0090-317	1	NUT HEX 1.25-7 UNC JAM ZINC				
38	0090-262	1	WASHER SAFETY S33-1.25"				
39	2014-597	1	WLMT, TENSIONER BODY				
40	2010-046	1	WLMT,THREADED-TLH				



REF. NO.	PART NUMBER	QTY.	DESCRIPTION	REF. NO.	PART NUMBER	QTY.	DESCRIPTION
1	0304-427	2	FITTING,GREASE,1/8 NPT x 45° FITTING,G				
2	2010-065	4	BUSHING,DU,1.50X1.66X2 BUSHING,D				
3	2010-838	6	AXLE, WHEEL, FACESEAL				
4	0702-367	12	WLMT RETAINER 53MM				
5	2035-438	12	ASSY, SEAL, 53 MM				
6	2035-391	12	RETAINER INNER 53MM				
7	0702-509	24	BEARING CONE LM5013349 PEER				
8	0702-508	24	BEARING CUP LM501310 PEER				
9	0702-361	12	HUB 10" 8 BOLT MACHINED				
10	2035-479	12	PLUG 1/8" NPT HEX CS				
11	0702-368	12	SEAL LIP				
12	2035-644	12	WHEEL 10" ALPHA BOLT ON				
13	2010-899	12	CAP, HUB, RUBBER BONDED				
14	0702-371	12	SNAP RING .093 x .325				
15	2010-839	12	WASHER, HARD, 2.125 OD				
16	8102-675	12	CAPSCREW,3/4-10UNCx1.5,GD8,ZN				
17	0090-136	96	WASHER HARD 1.0 X .531 X .197				
18	2035-659	96	CAPSCREW HH 1/2-13 x 1.375 GR8				
19	0702-605	12	ASSEMBLY HUB 10" W/RUBBER WHEEL(CAT # 3				
20	2014-557	1	WLMT, RAIL, SMALL W/FACESEAL				
21	2010-569	1	PLATE, SPROCKET PT30 REXROTH				
22	2010-034	1	RING,SPROCKET,10.623				
23	2010-783	1	ASSEMBLY SPROCKET PT30				
24	8102-418	9	CAPSCREW,HH,1/2-13UNCx 6.0,GD8,ZN				
25	0304-806	9	TUBE,SPROCKET 1.125 OD				
26	0304-098	9	TOOTH,DRIVE,SPROCKET TOOTH,DRI				
27	0700-124	19	NUT,TOPLLOCK,1/2-13UNC,ZN,GD8				
28	8102-407	10	CAPSCREW,HH,1/2-13UNCx2.0,GD8,CAPSCREW,				
29	2035-597	10	WASHER WROUGHT .531 x .886 x 0118 HARD Z				
30	2035-471	1	CAPSCREW SOC HD 3/8-16 x 1				
31	2035-308	2	PIN,TENSIONER,THREADED				
32	8102-225	1	CAPSCREW,HH,3/8-16 UNCx1.5,GD8,ZN				
33	0304-408	1	CAPSCREW,HH,3/4-10UNC3.75,GD8,CAPSCREW,				
34	2014-584	1	TABLE, MACHINED LH				
35	8040-786	1	NUT,HEX,NYLOCK,3/4-10 UNC,ZN				
36	2035-448	1	CLEVIS END TENSIONER MACHINED				
37	0090-317	1	NUT HEX 1.25-7 UNC JAM ZINC				
38	0090-262	1	WASHER SAFETY S33-1.25"				
39	2014-597	1	WLMT, TENSIONER BODY				
40	2010-046	1	WLMT,THREADED-TLH				



# Chapter 6

## Mainframe

### 6-1 Chassis

RT-40 Serial # 00100 - 00999 **6-1A**

RT-40 Serial # valid from - 01000 **6-1B**

### 6-2 Hood

RT-40 Serial # valid from - 00100 **6-2A**

**\* Parts manuals are updated frequently. To ensure current parts information, always refer to the latest version of this manual (posted online, consult your dealer).**

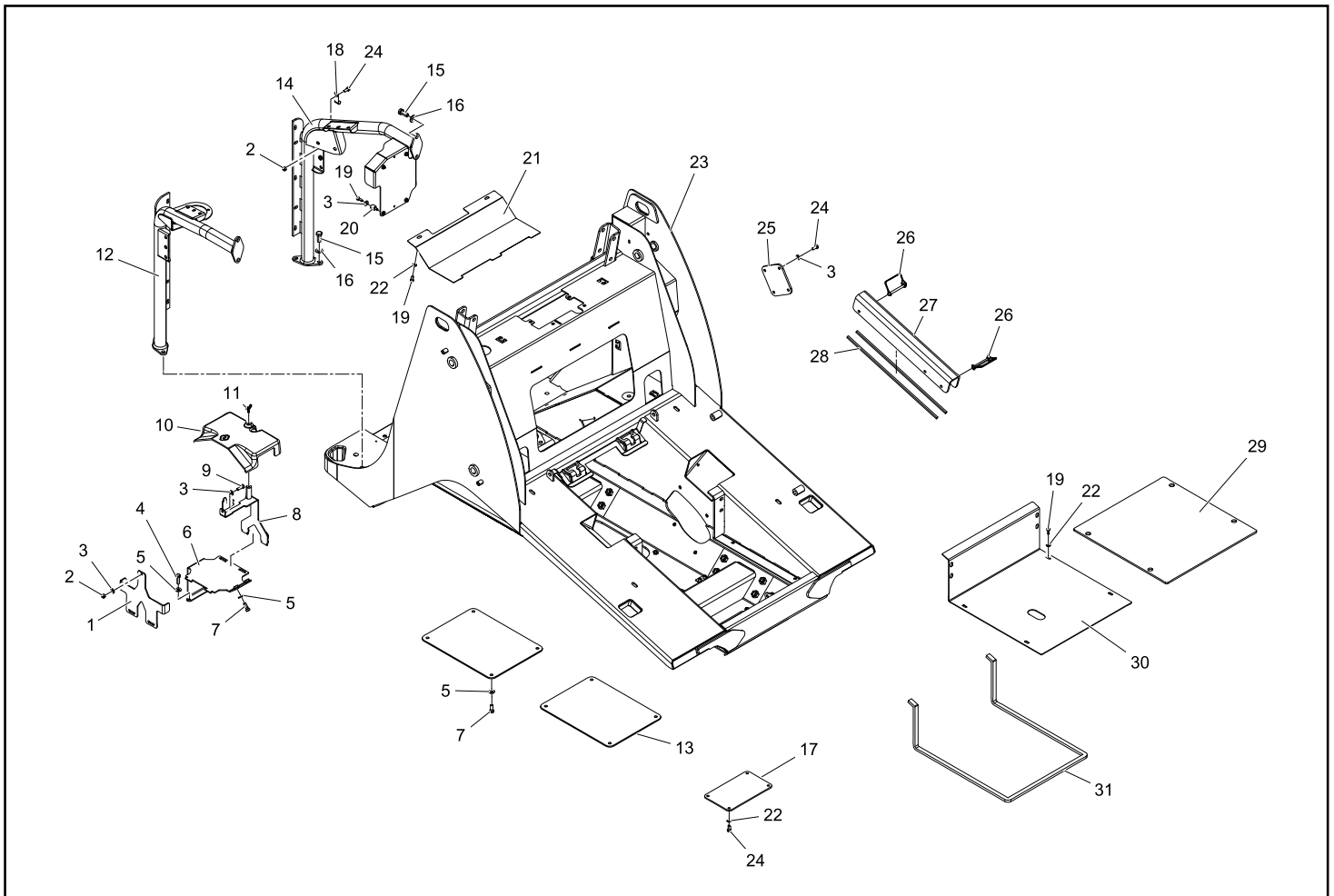
**NOTE:** When ordering parts that are painted, a specific part number format is required. Please refer to page II of this manual for paint code and ordering information.

# CHASSIS

RT-40 00100 - 00999

Chapter 6

REF. NO.	PART NUMBER	QTY.	DESCRIPTION	REF. NO.	PART NUMBER	QTY.	DESCRIPTION
1	2014-181	1	HOLD DOWN BATTERY OUTER				
2	8040-426	2	NUT,HEX,NYLOCK,5/16-18 UNC,ZN				
3	8050-222	10	WASHER,WROUGHT,1/4,STD,ZN				
4	8102-224	2	CAPSCREW,HH,3/8-16UNCx1.25,GD8,ZN				
5	8050-262	12	WASHER,WROUGHT,5/16,STD,ZN				
6	2014-773	1	WLMT BATTERY TRAY				
7	8102-222	10	CAPSCREW,HH,3/8-16 UNCx1.0,GD8,ZN				
8	2014-461	1	WLMT, HOLD DOWN BATTERY				
9	8102-132	1	CAPSCREW,HH,5/16-18UNCx1.0 GD8 ,ZN				
10	2014-620	1	COVER BATTERY				
11	0090-653	1	SCREW, 1/4 - 20 X .50 WING				
12	2014-218	1	WLMT TOWER SUPPORT RH				
13	2014-508	2	PLATE BELLY 11 X 14.75				
14	2014-217	1	WLMT TOWER SUPPORT LH				
15	8102-404	8	CAPSCREW,HH 1/2-13UNCx1.25 GD8 ZN				
16	8050-348	8	WASHER,1/2,SAE,ZN 1.06 OD x .531 ID x .0				
17	2096-465	1	COVER ACCESS 5X9				
18	0090-473	1	J CLAMP 1/2"				
19	8102-040	10	CAPSCREW,HH,1/4-20 UNCx.75,GD8 ZN				
20	2095-428	4	MNT RUBBER ECM				
21	2014-451	1	PLATE, HEAT SHIELD				
22	8050-221	10	WASHER,FLAT,1/4,SAE				
23	2014-050	1	WLMNT, CHASSIS				
24	8102-130	9	CAPSCREW,HH 5/16-18x3/4,GR8				
25	7000-019	1	SSL, MF. ACCESS COVER PLATE				
26	0201-477	2	PIN,LOCKING,D-RING,3"				
27	2010-443	1	STOP LOADER				
28	2014-686	2	LOCKOUT EDGE FOAM 19.25" X 1/4" X 1/4"				
29	2014-695	1	MAT FLOOR				
30	2014-224	1	PLATE, FLOOR PAN				
31	2014-783	1	SEAL, FOAM .625" X 72" X .375"				

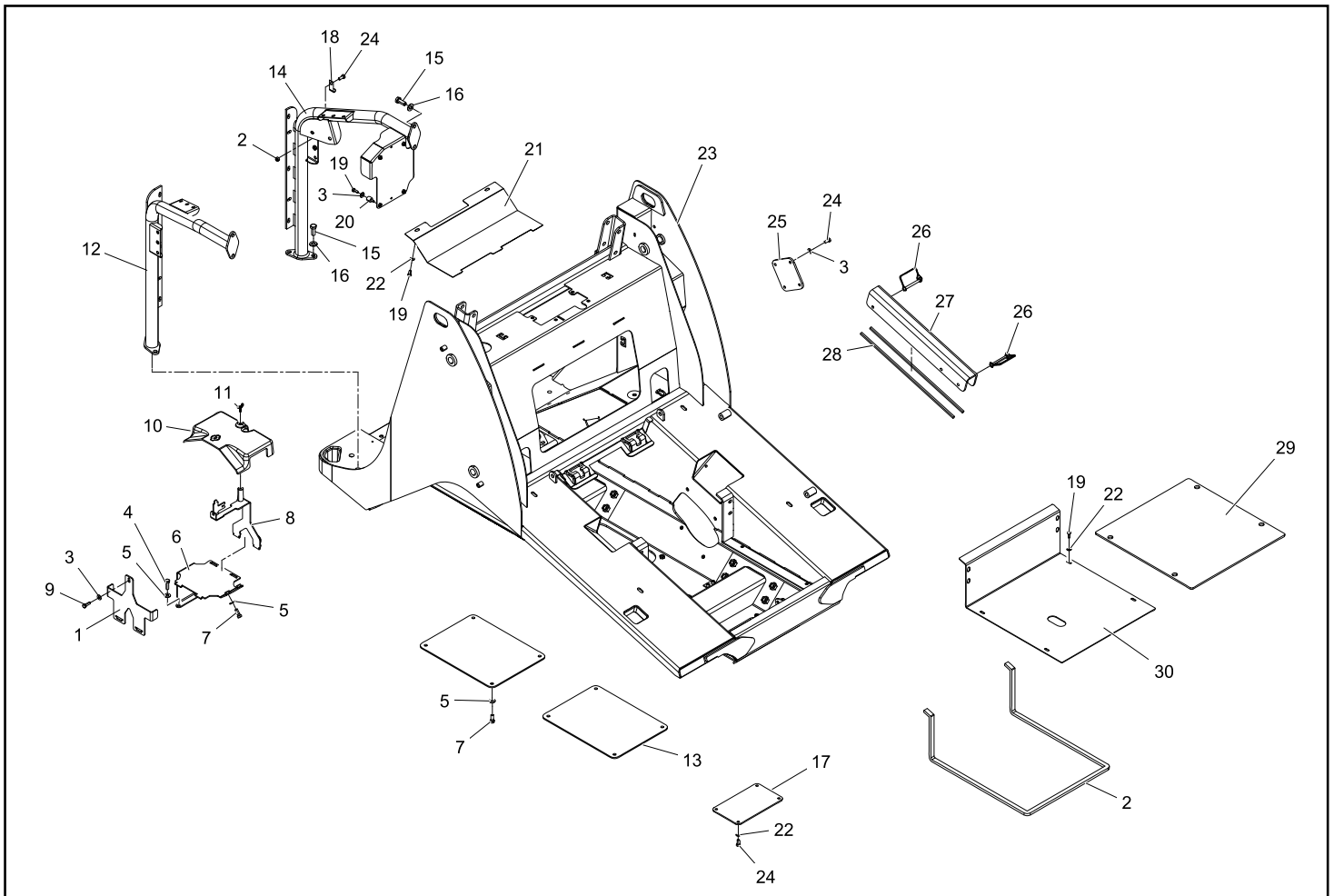


# CHASSIS

RT-40 valid from 01000

Chapter 6

REF. NO.	PART NUMBER	QTY.	DESCRIPTION	REF. NO.	PART NUMBER	QTY.	DESCRIPTION
1	2014-181	1	HOLD DOWN BATTERY OUTER				
2	2014-783	1	SEAL, FOAM .625" X 72" X .375"				
3	8050-222	9	WASHER, WROUGHT, 1/4, STD, ZN				
4	8102-224	2	CAPSCREW, HH, 3/8-16UNCx1.25, GD8, ZN				
5	8050-262	12	WASHER, WROUGHT, 5/16, STD, ZN				
6	2014-773	1	WLMT BATTERY TRAY				
7	8102-222	10	CAPSCREW, HH, 3/8-16 UNCx1.0, GD8, ZN				
8	2014-461	1	WLMT, HOLD DOWN BATTERY				
9	8102-132	1	CAPSCREW, HH, 5/16-18UNCx1.0 GD8 ,ZN				
10	2014-620	1	COVER BATTERY				
11	0090-653	1	SCREW, 1/4 - 20 X .50 WING				
12	2014-959	1	WLMT, TOWER SUPPORT RH				
13	2014-508	2	PLATE BELLY 11 X 14.75				
14	2014-217	1	WLMT TOWER SUPPORT LH				
15	8102-404	8	CAPSCREW, HH 1/2-13UNCx1.25 GD8 ZN				
16	8050-348	8	WASHER, 1/2, SAE, ZN 1.06 OD x .531 ID x .0				
17	2096-465	1	COVER ACCESS 5X9				
18	0090-473	1	J CLAMP 1/2"				
19	8102-040	10	CAPSCREW, HH, 1/4-20 UNCx.75, GD8 ZN				
20	2095-428	4	MNT RUBBER ECM				
21	2014-451	1	PLATE, HEAT SHIELD				
22	8050-221	10	WASHER, FLAT, 1/4, SAE				
23	2014-050	1	WLMNT, CHASSIS				
24	8102-130	9	CAPSCREW, HH 5/16-18x3/4, GR8				
25	7000-019	1	SSL, MF. ACCESS COVER PLATE				
26	0201-477	2	PIN, LOCKING, D-RING, 3"				
27	2010-443	1	STOP LOADER				
28	2014-686	2	LOCKOUT EDGE FOAM 19.25" X 1/4" X 1/4"				
29	2014-695	1	MAT FLOOR				
30	2014-224	1	PLATE, FLOOR PAN				

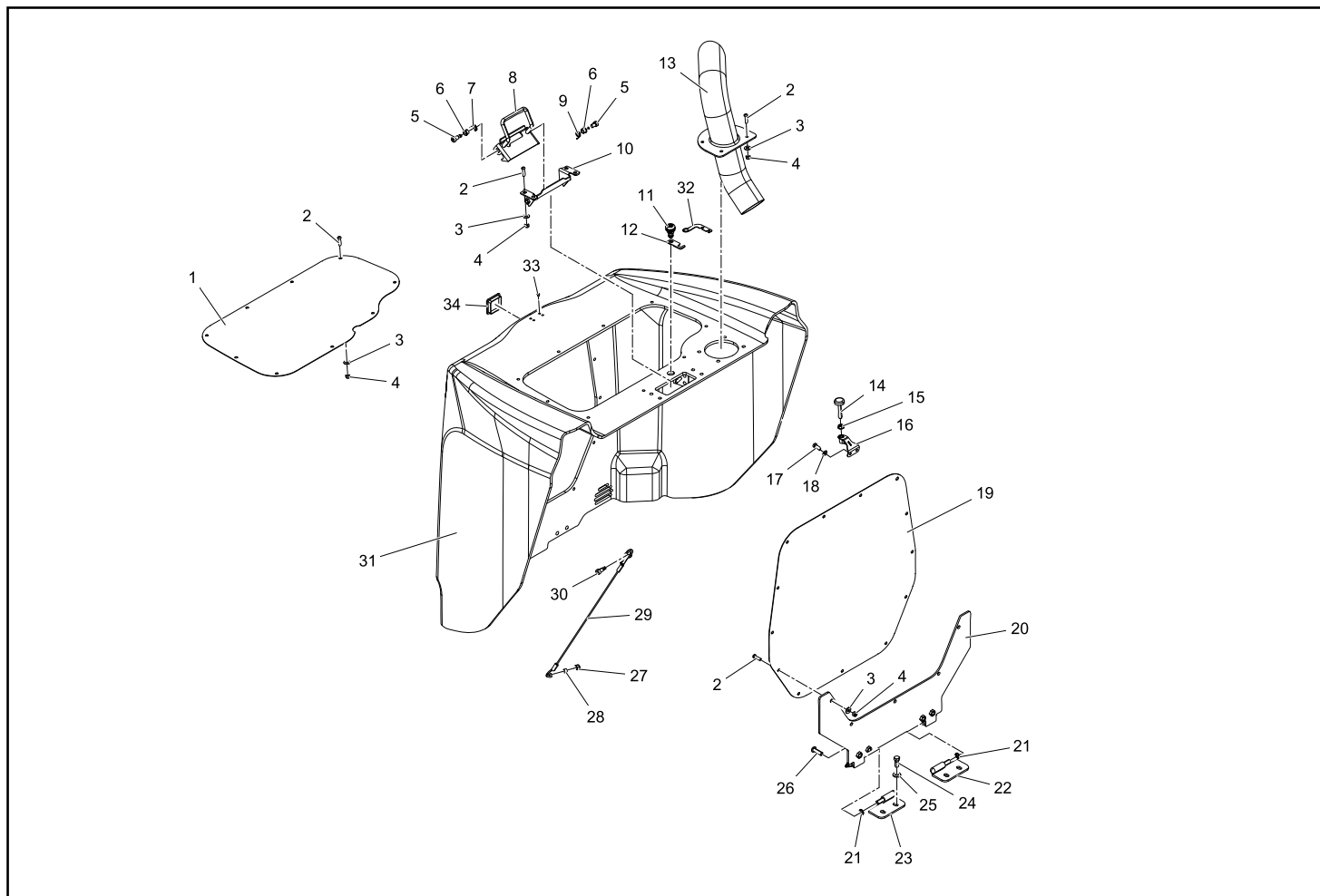


# HOOD ASSEMBLY

RT-40 valid from 00100

Chapter 6

REF. NO.	PART NUMBER	QTY.	DESCRIPTION	REF. NO.	PART NUMBER	QTY.	DESCRIPTION
1	2014-208	1	HOOD SCREEN TOP				
2	0090-457	30	CAPSCREW 1/4-20 X 1" ZINC BUTTON SOCKET				
3	8050-222	30	WASHER,WROUGHT,1/4,STD,ZN				
4	8040-366	30	NUT,HEX,NYLOCK,1/4-20 UNC,ZN				
5	0090-137	2	BOLT 3/8 SHLDR x1/2 x5/16 -18				
6	0090-139	2	BUSHING PLASTIC .5 OD X .38 ID				
7	2095-273	1	SPRING TORSION HOOD LATCH LH				
8	2014-498	1	WLMT, LATCH, HOOD, TOP				
9	2095-274	1	SPRING TORSION HOOD LATCH RH				
10	2014-718	1	HOOD LATCH ASSY				
11	2030-387	1	LOCK SOUTHCO CM-99-1				
12	2014-736	1	PAWL, LOCKING				
13	2014-280	1	WLMT, TAILPIPE				
14	0090-522	2	STOP LAPBAR				
15	0300-485	2	NUT,WHIZ LOCK,5/16-18 NC				
16	2014-523	2	WLMT, HOOD STOP				
17	8102-040	4	CAPSCREW,HH,1/4-20 UNCx.75,GD8 ZN				
18	8050-221	4	WASHER,FLAT,1/4,SAE				
19	2014-207	1	HOOD SCREEN REAR				
20	2014-746	1	WLMT HINGE HOOD				
21	0403-503	2	BUSHING WELD HINGE 3-15/16 W/ GRS ZRK				
22	2014-743	1	WLMT HINGE FRAME LH				
23	2014-744	1	WLMT HINGE FRAME RH				
24	8102-222	4	CAPSCREW,HH,3/8-16 UNCx1.0,GD8,ZN				
25	8050-262	4	WASHER,WROUGHT,5/16,STD,ZN				
26	0090-694	4	SCREW, SHBH 3/8-16 X 1.25 ZNC				
27	8040-426	2	NUT,HEX,NYLOCK,5/16-18 UNC,ZN				
28	2014-761	2	BUSHING, CABLE MOUNT				
29	2014-543	2	CABLE, HOOD RESTRAINT				
30	0090-137	2	BOLT 3/8 SHLDR x1/2 x5/16 -18				
31	2014-201	1	HOOD				
32	2014-805	1	LOCK INDEX PLATE				
33	0200-317	4	PLUG,HOLE,1/4"				
34	2014-776	1	PLUG, SQUARE - 2.50				



# Chapter 7

## Cab / Heating

### **7-1 Cab**

RT-40 Serial # valid from - 00100 **7-1A**

### **7-2 Cab Interior / Headliner**

RT-40 Serial # valid from - 00100 **7-2A**

### **7-3 Door / Windows / Wiper**

RT-40 Serial # valid from - 00100 **7-3A**

### **7-4 Seat / Seatbelt Assemblies**

RT-40 Serial # valid from - 00100 **7-4A**

### **7-5 Heater**

RT-40 Serial # 00100 - 00999 **7-5A**

RT-40 Serial # valid from - 01000 **7-5B**

### **7-6 HVAC**

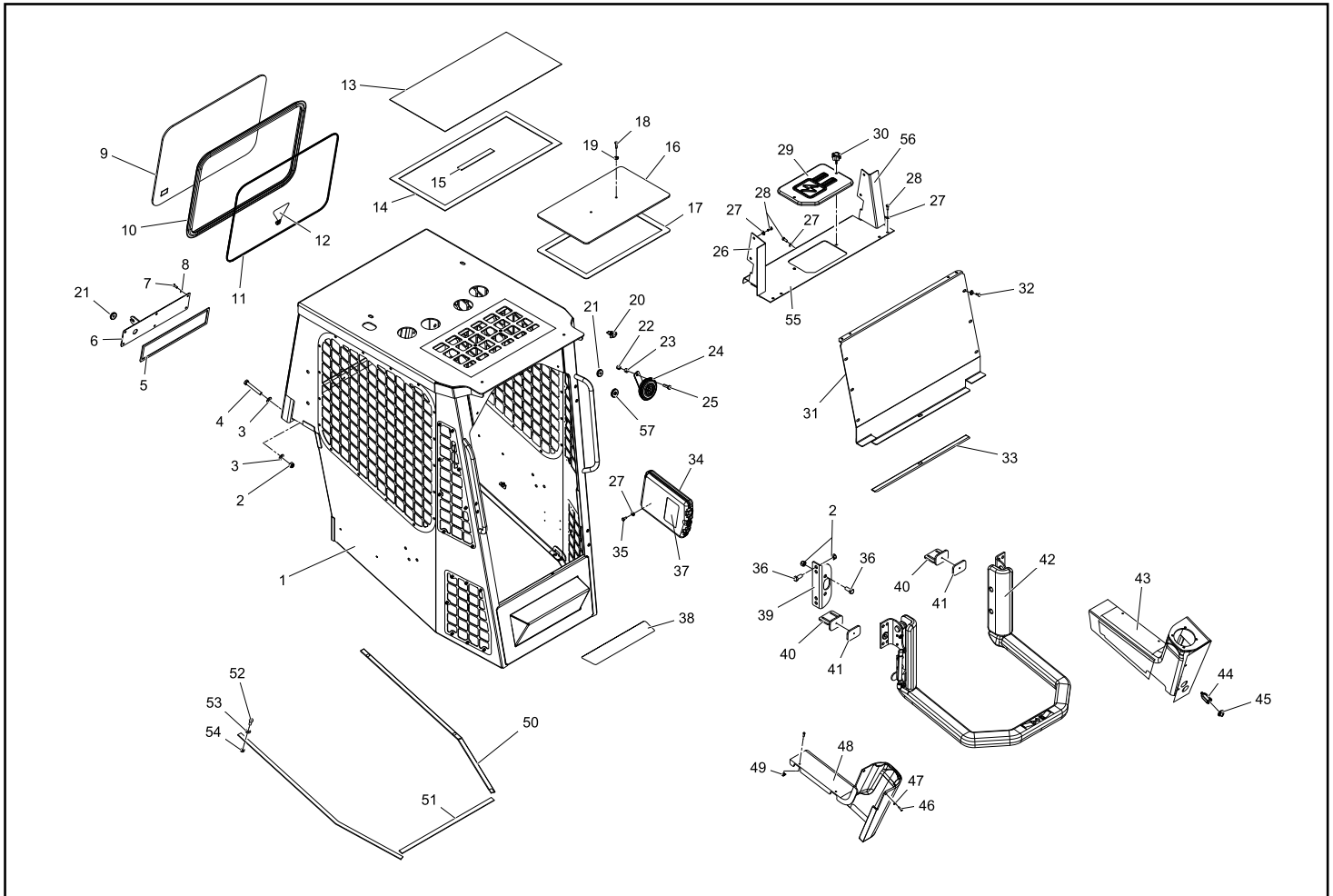
RT-40 Serial # valid from - 01000 **7-6A**

**\* Parts manuals are updated frequently. To ensure current parts information, always refer to the latest version of this manual (posted online, consult your dealer).**

**NOTE:** When ordering parts that are painted, a specific part number format is required. Please refer to page II of this manual for paint code and ordering information.

REF. NO.	PART NUMBER	QTY.	DESCRIPTION
1	2014-124	1	ROPS CTL
2	8040-606	10	NUT,HEX,NYLOCK,1/2-13 UNC,ZN
3	8050-348	8	WASHER,1/2,SAE,ZN 1.06 OD x .531 ID x .0
4	8102-413	4	CAPSCREW,HH,1/2-13 UNCx3.5,GD8,ZN
5	2014-551	1	SEAL, LIGHT MOUNT
6	2014-549	1	WLMT LIGHT MOUNT
7	0090-700	6	CAPSCREW STEEL BUTTON SOCKET HEX DRIVE Z
8	8050-157	6	WASHER,WROUGHT, #10 3/16,STD,ZN
9	2014-476	1	WINDOW REAR
10	0090-532	1	85" PRECUT, SEAL .125 OFFSET WINDOW LOCK
11	0090-533	1	85" PRECUT, SEAL, FILLER STRIP
12	0201-748	1	ASSY,TAG,EMERGENCY EXIT
13	2014-751	1	COVER, ROPS ROOF
14	2014-753	1	SEAL, OUTER ROOF
15	2014-754	1	SEAL, INNER ROOF
16	2095-705	1	PANEL ROOF POLYCARBONATE
17	2014-399	1	SEAL, ROOF PANEL
18	8102-042	2	CAPSCREW, HH 1/4-20UNC 1" GD8 ZN FULLY
19	0090-325	2	WASHER 3/4"-5/16" RUBBER BONDED GALVAN
20	0310-237	1	RECEPTACLE, POWER
21	2075-638	3	GROMMET WEB
22	8040-486	1	NUT,HEX,NYLOCK,3/8-16 UNC,ZN
23	0201-628	1	SPACER,CLAMP
24	0304-478	1	HORN - 164-9425
25	8102-224	1	CAPSCREW,HH,3/8-16UNCx1.25,GD8,ZN
26	2014-434	1	POST COVER RH
27	8050-222	17	WASHER,WROUGHT,1/4,STD,ZN
28	8102-040	11	CAPSCREW,HH,1/4-20 UNCx.75,GD8 ZN
29	2076-288	1	COVER FUSE PANEL
30	0090-521	2	KNOB 1/4-20 UNC 2A MALE
31	2014-611	1	WLMT, FIREWALL
32	8102-039	6	CAPSCREW,HH,1/4-20UNCx.625,GD8
33	2014-714	1	SEAL ROPS LOWER REAR
34	0304-318	1	BOX, OWNERS MANUAL BOX, OWNER
35	8102-039	2	CAPSCREW,HH,1/4-20UNCx.625,GD8
36	8102-404	6	CAPSCREW,HH 1/2-13UNCx1.25 GD8 ZN
37	2030-422	1	DECAL MANUAL BOX (NO TEXT)
38	2014-496	1	PAD, ANTI-SKID
39	2014-270	1	MOUNT, LAPBAR RH
40	0200-320	2	WLMT,STOP LAP BAR

REF. NO.	PART NUMBER	QTY.	DESCRIPTION
41	0200-321	2	PAD,RUBBER,W/ADHESIVE
42	0304-019	1	ASSY,LAP BAR CATERPILL
43	2014-239	1	JOYSTICK CONSOLE LH
44	0200-264	1	HOUSING,POWER SOURCE WAY TEK #
45	0200-265	1	CAP,HOUSING,POWER SOURCE WAYTEK #1
46	0090-746	4	CAPSCREW, #10-24x 3/4, SOCKET BUTTON HOA
47	0090-747	4	WASHER FINISHING, BLACK OXIDE FINISH, CO
48	2014-240	1	JOYSTICK CONSOLE RH
49	0090-163	4	NUT U 10-24 UNC
50	2014-712	2	SEAL ROPS LOWER SIDE
51	2014-713	1	SEAL ROPS LOWER FRONT
52	8102-222	6	CAPSCREW,HH,3/8-16 UNCx1.0,GD8,ZN
53	8050-262	6	WASHER,WROUGHT,5/16,STD,ZN
54	0314-269	6	NUT,FLANGE,TOPLK,3/8-16UNC,GDG,ZN
55	2014-386	1	WLMT, UPPER FIREWALL PANEL
56	2014-433	1	POST COVER LH
57	0090-551	2	GROMMET HOLE PLUG



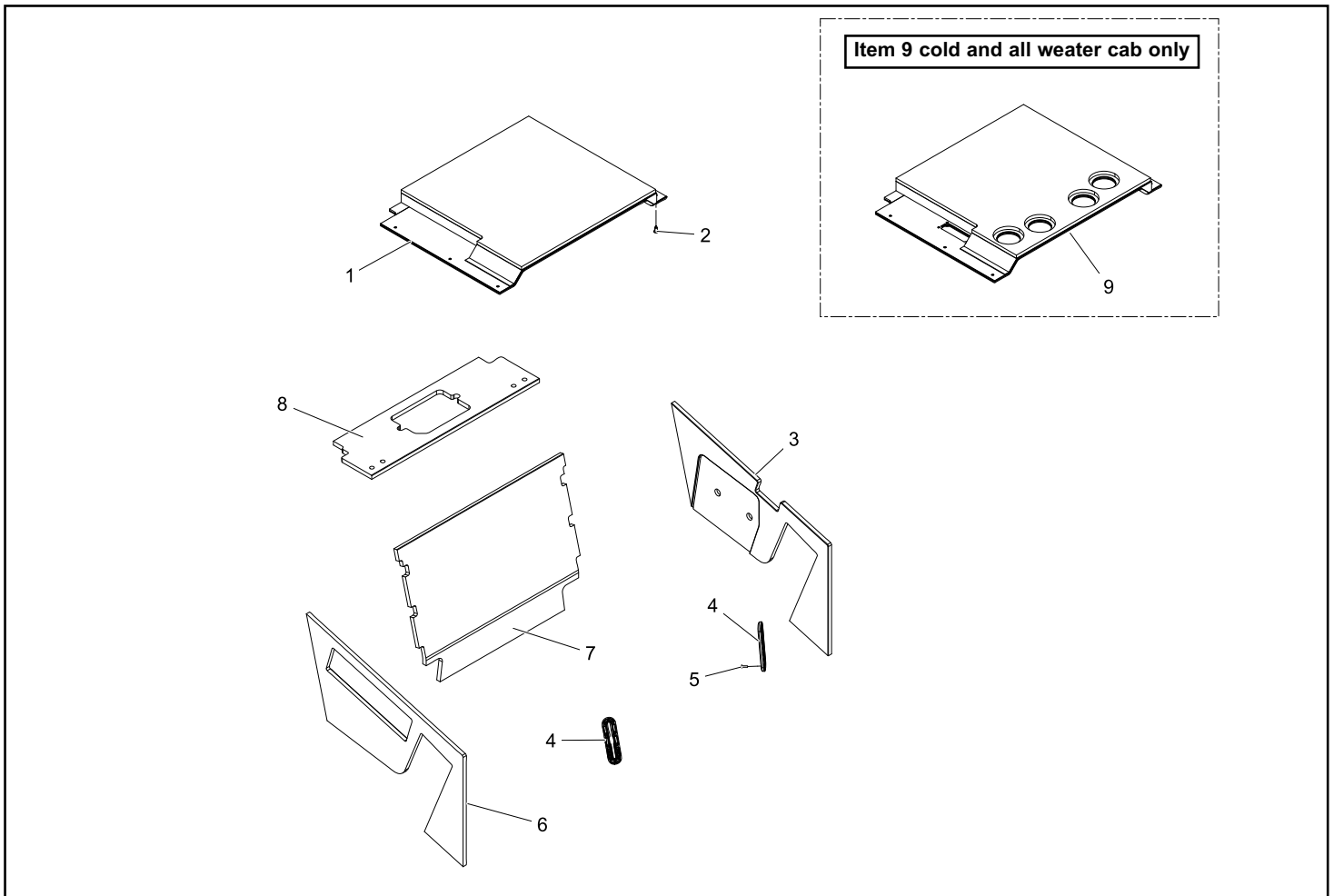
# INTERIOR / HEADLINER

RT-40 valid from 00100

Chapter 7

REF. NO.	PART NUMBER	QTY.	DESCRIPTION
1	2014-792	1	HEADLINER, OPEN ROPS
2	0090-019	6	CLIP TREE
3	2014-251	1	PANEL, INTERIOR LH
4	0404-791	2	TRACK, RAM MOUNT
5	0090-746	16	CAPSCREW, #10-24x 3/4, SOCKET BUTTON HEA
6	2014-252	1	PANEL, INTERIOR RH
7	2014-253	1	PANEL, FIREWALL
8	2014-254	1	PANEL, REAR SHELF
9	2014-601	1	HEADLINER, FORMED

REF. NO.	PART NUMBER	QTY.	DESCRIPTION



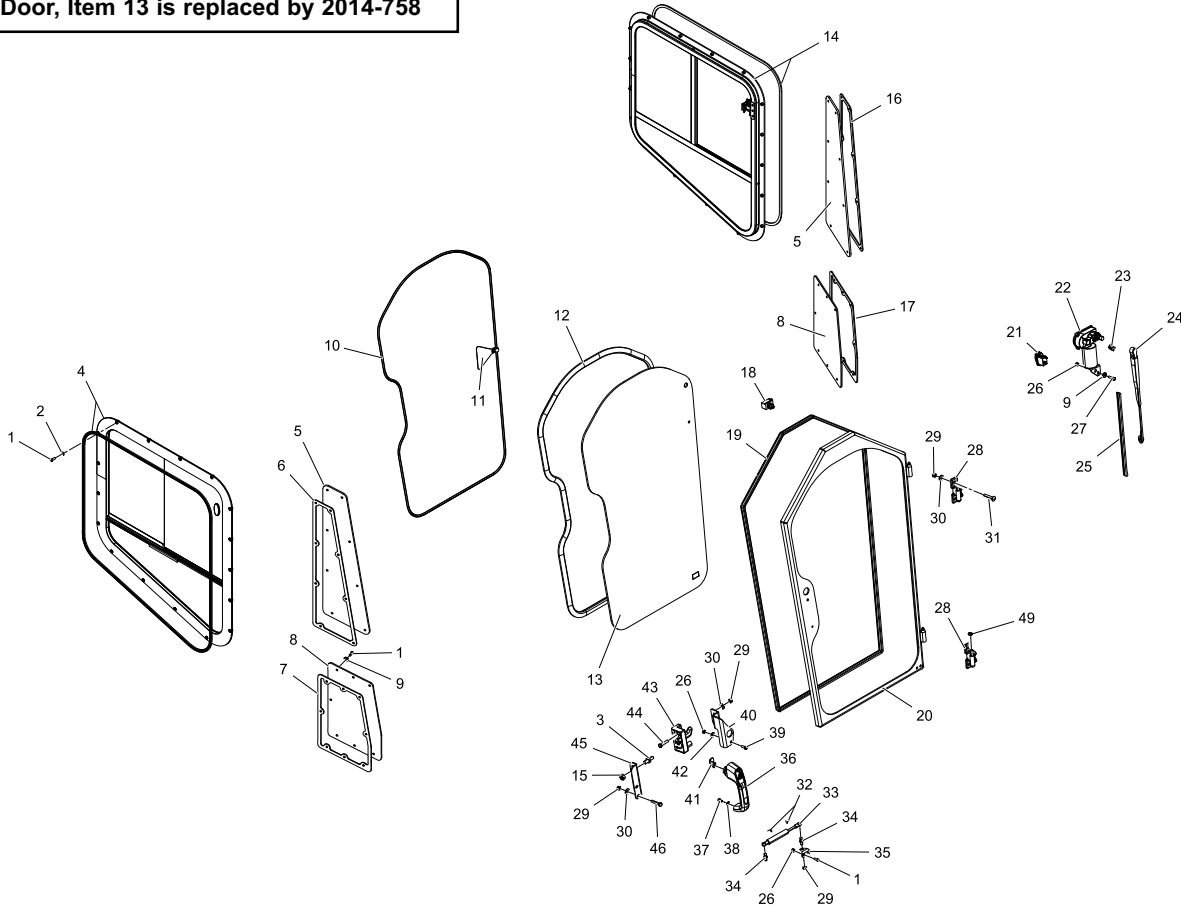
# DOOR / WINDOWS

RT-40 valid from 00100

Chapter 7

REF. NO.	PART NUMBER	QTY.	DESCRIPTION	REF. NO.	PART NUMBER	QTY.	DESCRIPTION
1	0090-700	68	CAPSCREW STEEL BUTTON SOCKET HEX DRIVE Z	41	2075-415	1	CATCH DOOR LATCH
2	8050-157	34	WASHER,WROUGHT, #10 3/16,STD,ZN	42	8050-222	1	WASHER,WROUGHT,1/4,STD,ZN
3	2075-408	1	STRIKE	43	2045-407	1	CAP FUEL GREEN
4	0404-770	1	WINDOW, CAB SLIDER RH	44	8102-135	2	CAPSCREW,HH,5/16-18X1.50ZN,GD8
5	0403-762	2	WINDOW UPPER CORNER	45	2075-416	1	MOUNT STRIKE
6	0403-766	1	SEAL RH UPPER WINDOW	46	8102-136	1	CAPSCREW
7	0403-767	1	SEAL RH LOWER WINDOW				
8	4010-125	2	PANEL PLASTIC LOWER SCREENS				
9	0090-325	33	WASHER 3/4"-5/16" RUBBER BONDED GALVAN				
10	2014-140	1	DOOR GLASS SEAL ZIP				
11	0201-748	1	ASSY.TAG,EMERGENCY EXIT				
12	2014-139	1	DOOR GLASS SEAL				
13	2014-138	1	WINDOW, DOOR				
14	0404-769	1	WINDOW, CAB SLIDER LH				
15	0090-622	1	SCREW, MACH, PH PAN HD, M6-1.0 X 10MM CL				
16	0403-764	1	SEAL LH UPPER WINDOW				
17	0403-765	1	SEAL LH LOWER WINDOW				
18	0403-896	1	SWITCH DOOR PUSH BUTTON w/2 .625-24 H				
19	2014-141	1	DOOR SEAL				
20	2014-136	1	DOOR W/ HINGES				
21	0304-123	1	SWITCH,ON/OFF,WIPER V1D2BNOC-				
22	0304-619	1	MOTOR,WIPER,85^ WWF12C121				
23	0301-792	1	CLAMP,LOOM,1/2" 2008				
24	0402-243	1	ARM,WIPER,15-19" ARM,WIPER				
25	0304-557	1	BLADE,WIPER,FLAT,14" 5095240BD				
26	8040-366	4	NUT,HEX,NYLOCK,1/4-20 UNC,ZN				
27	8102-042	1	CAPSCREW, HH 1/4-20UNC 1" GD8 ZN FULLY				
28	0403-481	2	ASSY HINGE DOOR CAST LH				
29	8040-426	10	NUT,HEX,NYLOCK,5/16-18 UNC,ZN				
30	8050-262	8	WASHER,WROUGHT,5/16,STD,ZN				
31	8011-137	4	BOLT,CARRIAGE,5/16-18 UNCx2.0,BOLT,CARR				
32	0200-545	2	CLIP,SAFETY,GAS SPRING SUSPA # P				
33	0403-870	1	SPRING DAMPENED DOOR				
34	0304-495	2	STUD,BALL,10MM STUD				
35	2030-348	1	MOUNT SPRING				
36	2075-406	1	HANDLE PUSH BUTTON				
37	0304-486	1	CAPSCREW,HH,M6-1.0x14 FASTENAL				
38	0090-135	1	NUT NYLOCK M12 X 1.0 ZC				
39	8102-040	1	CAPSCREW,HH,1/4-20 UNCx.75,GD8 ZN				
40	2075-409	1	MOUNT DOOR LATCH				

For Poly Door, Item 13 is replaced by 2014-758

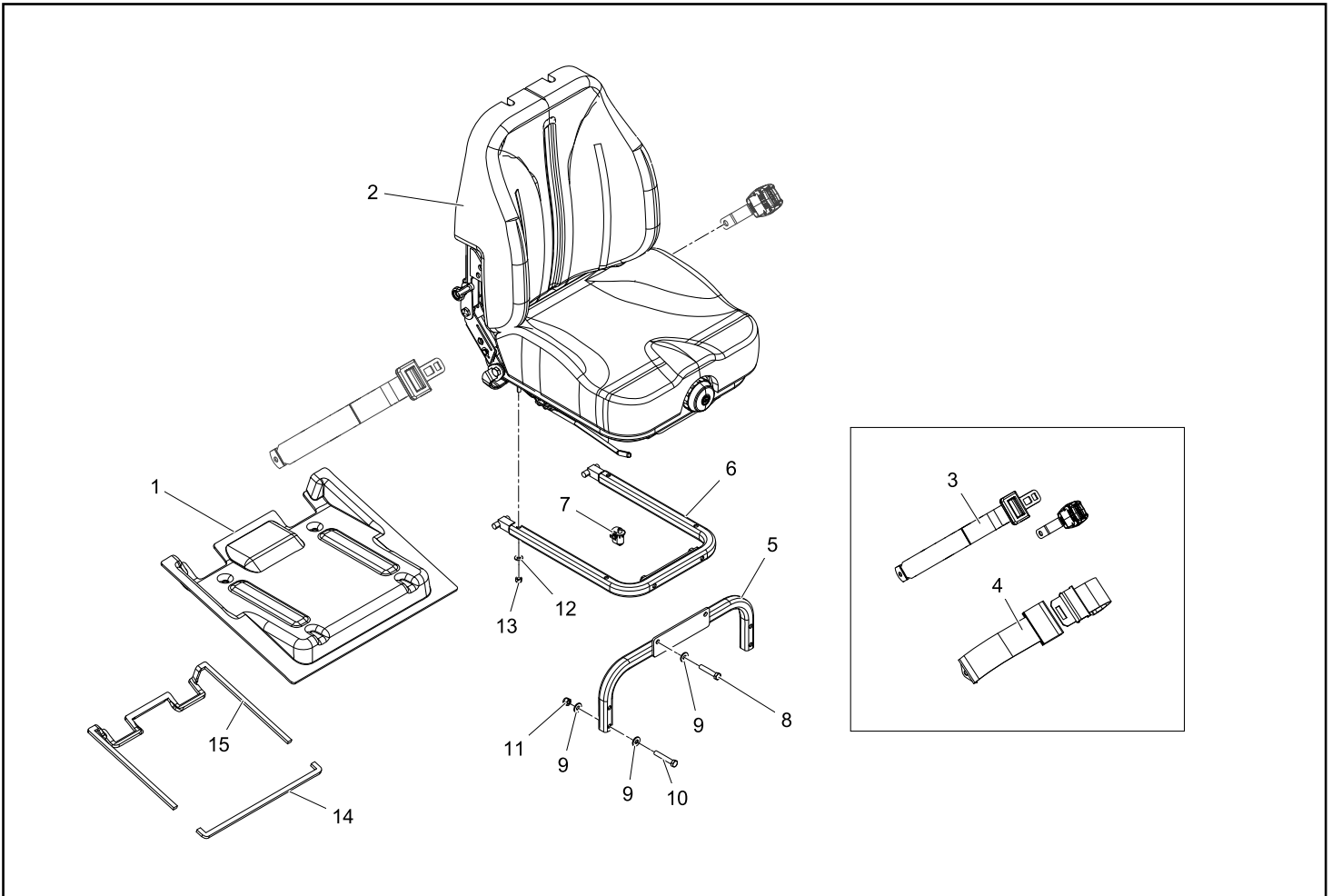


# SEAT / SEATBELT ASSEMBLIES

RT-40 valid from 00100

Chapter 7

REF. NO.	PART NUMBER	QTY.	DESCRIPTION	REF. NO.	PART NUMBER	QTY.	DESCRIPTION
1	2014-362	1	COVER DOGHOUSE				
2	2017-391	1	SEAT, MECHANICAL SEATSINC				
3	2076-666	1	BELT, SEAT 2" ADJUSTABLE (1/2" MOUNTING HOLE)				
4	2076-410	1	BELT SEAT 3" ADJUSTABLE				
5	2014-241	1	WLMT, SEAT SUPPORT				
6	2014-246	1	WLMT, SEAT BASE				
7	3000-690	1	SWITCH, SEAT				
8	8102-227	2	CAPSCREW,HH,3/8-16UNCx2.0 GD8 CAPSCREW,				
9	8050-262	10	WASHER,WROUGHT,5/16,STD,ZN				
10	8102-228	4	CAPSCREW,HH,3/8-16UNCX2.25"GR8CAPSCREW,				
11	8040-486	4	NUT,HEX,NYLOCK,3/8-16 UNC,ZN				
12	8050-222	4	WASHER,WROUGHT,1/4,STD,ZN				
13	8040-426	4	NUT,HEX,NYLOCK,5/16-18 UNC,ZN				
14	2014-782	1	SEAL, FOAM .625" X 24" X .375"				
15	2014-783	1	SEAL, FOAM .625" X 72" X .375"				



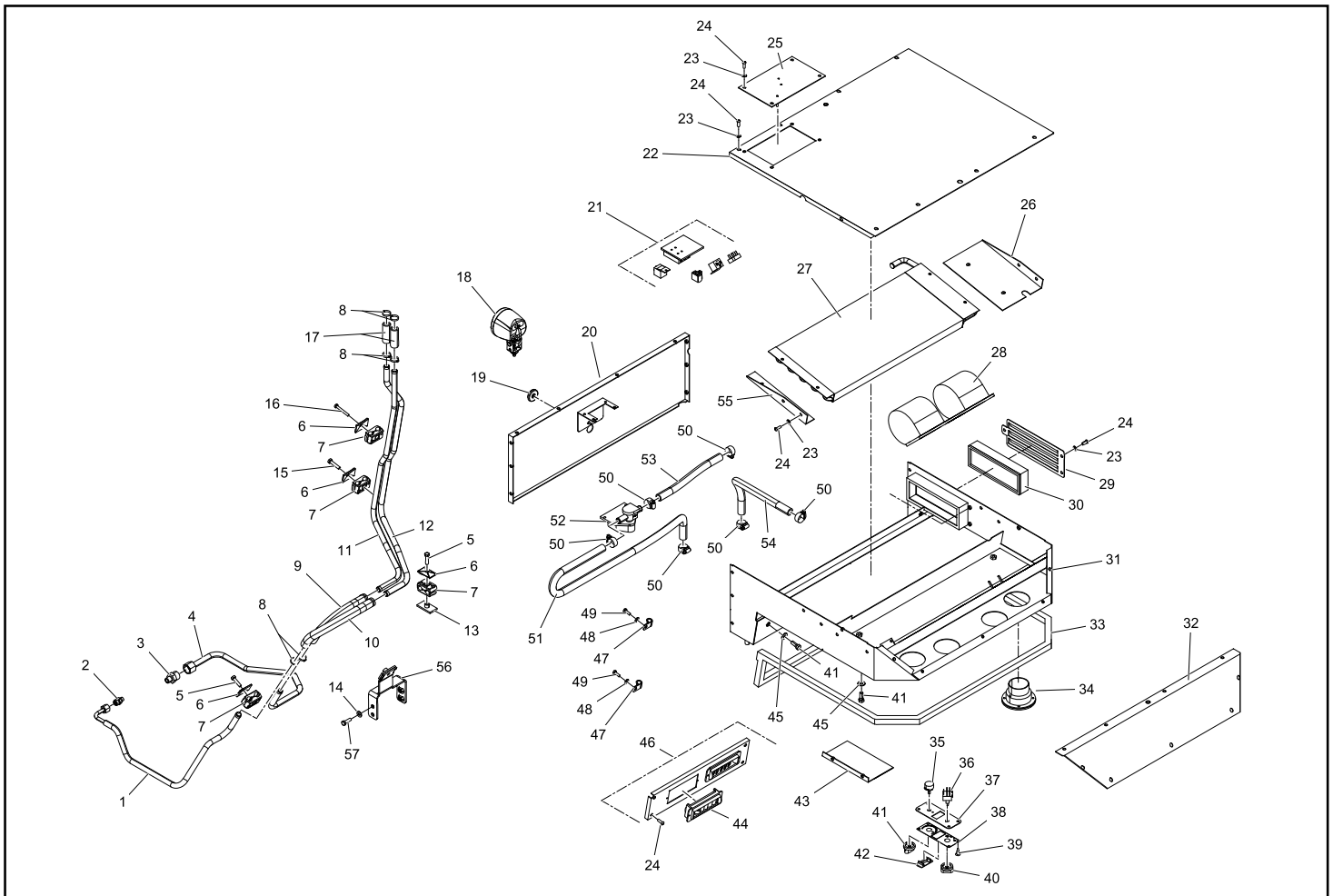
# HEATER (OPTIONAL)

RT-40 00100 - 00999

Chapter 7

REF. NO.	PART NUMBER	QTY.	DESCRIPTION
1	2014-574	1	TUBE, HEATER PRESSURE
2	0315-140	1	ADAPTER 06MFFOR-12MM (FS7640-06-12-O)
3	0315-077	1	ADAPTER, 10MFFOR-6NPT
4	2014-371	1	TUBE, HEATER RETURN
5	8102-134	2	CAPSCREW,HH,5/16-18UNCx1.25GD8 ZN
6	0310-584	4	PLATE,COVER TCP-T2 TCP-T2
7	0310-831	4	CLAMP, SET, T2062-PP BEHRINGER
8	0316-027	8	CLAMP 20.9MM TO 24.1MM STEPLESS EAR CLAM
9	2014-737	1	HOSE HEATER 10"
10	2096-654	1	HOSE HEATER PRESSURE
11	2014-577	1	TUBE, HEATER CAB RETURN
12	2014-578	1	TUBE, HEATER CAB PRESSURE
13	0314-538	1	BASE, CLAMP, TWP-02 (PLATED)
14	8050-222	4	WASHER,WROUGHT,1/4,STD,ZN
15	8102-135	1	CAPSCREW,HH,5/16-18X1.50ZN,GD8
16	8102-047	1	CAPSCREW,HH,1/4-20 UNCx2.0,GD8
17	7012-229	2	HOSE, HEATER, ENGINE TO TUBE
18	2014-243	1	LIGHT, PEDESTAL
19	2075-638	1	GROMMET WEB
20	2014-664	1	REAR PANEL, HEATER
21	2014-659	1	HARNES, HEATER
22	2014-660	1	ROOF PANEL, HEATER
23	8050-157	34	WASHER,WROUGHT, #10 3/16,STD,ZN
24	0090-700	34	CAPSCREW STEEL BUTTON SOCKET HEX DRIVE Z
25	2014-662	1	COVER, FUSE PANEL
26	2014-667	1	MOUNT, CORE LH
27	2014-658	1	HEATER CORE
28	2014-716	1	BLOWER HEATER/HVAC
29	2014-657	1	COVER, AIR FILTER
30	2014-655	1	FILTER, FRESH AIR
31	2014-663	1	MAIN BODY, HEATER
32	2014-661	1	FRONT PANEL, HEATER/HVAC
33	2014-810	1	SEAL, HEATER HOUSING
34	2014-800	4	LOUVER 3" SNAP IN
35	2095-874	1	CONTROLLER TEMP
36	2045-899	1	SWITCH 3 SPEED
37	2095-875	1	PLATE HVAC CONTROL
38	2095-876	1	DECAL PLATE HVAC CONTROL
39	0090-305	4	RETAINER PUSH TYPE .250 DIA
40	2095-873	2	NOB PERRIN HVAC CONTROL

REF. NO.	PART NUMBER	QTY.	DESCRIPTION
41	8102-222	4	CAPSCREW,HH,3/8-16 UNCx1.0,GD8,ZN
42	0310-138	1	PLUG VHP-01 INDEX # 390-09002-001
43	2014-811	1	DUCT, HEATER/HVAC
44	0782-037	2	LOUVER,A/C,PERRIN LOUVER,A/
45	8050-262	4	WASHER,WROUGHT,5/16,STD,ZN
46	2014-741	1	ASSY, RECIRC COVER
47	0310-464	2	CLAMP,WIRE,1/2 RBC-1/2
48	8050-221	2	WASHER,FLAT,1/4,SAE
49	8102-040	2	CAPSCREW,HH,1/4-20 UNCx.75,GD8 ZN
50	0315-103	6	CLAMP, HOSE, #10
51	2014-803	1	HOSE, HEATER
52	2096-483	1	VALVE HEATER
53	2014-802	1	HOSE, HEATER
54	2014-801	1	HOSE, HEATER
55	2014-668	1	MOUNT, CORE RH
56	2014-373	1	WLMT MNT HEATER TUBE
57	8102-132	4	CAPSCREW,HH,5/16-18UNCx1.0 GD8 ,ZN

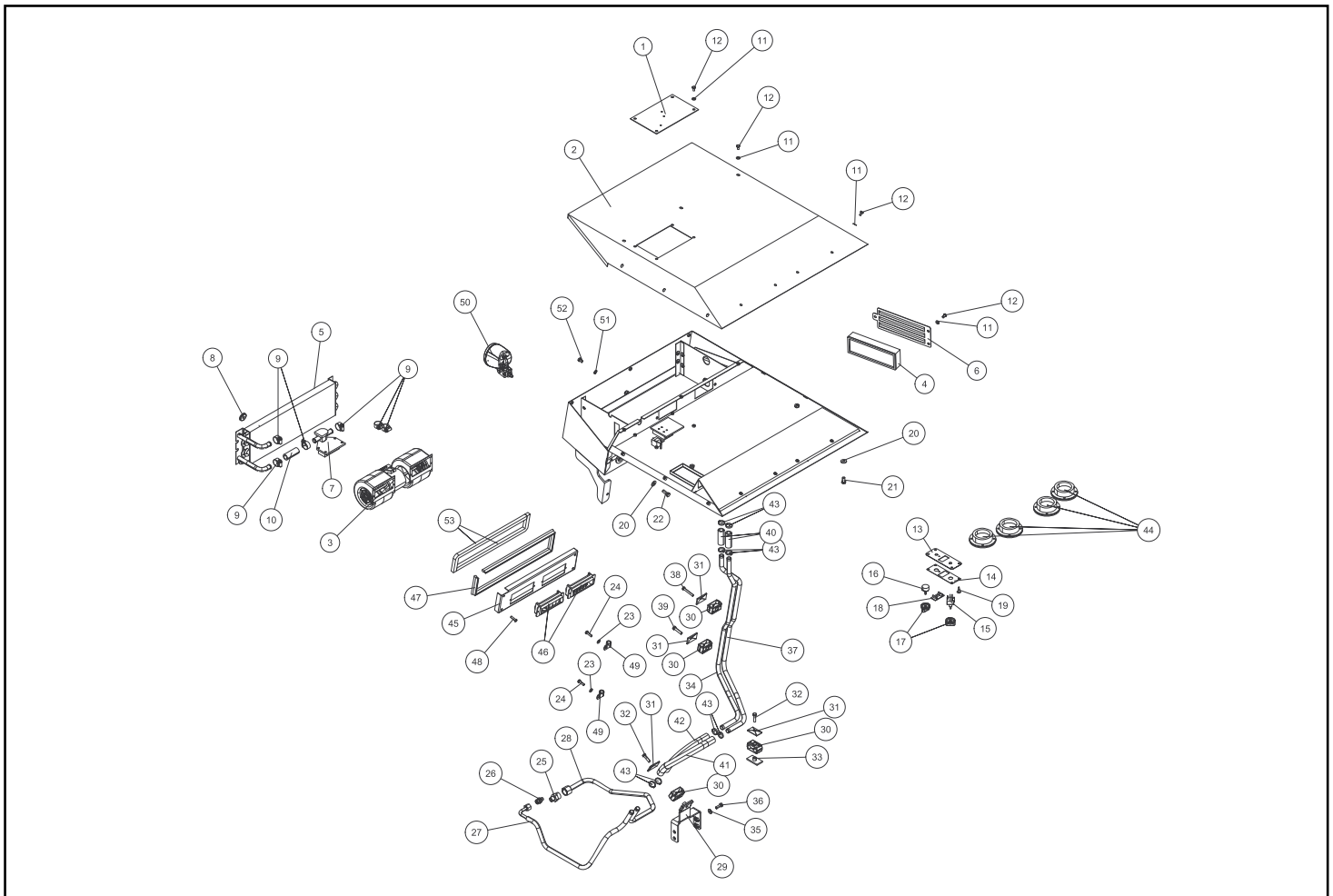


# HEATER (OPTIONAL)

RT-40 valid from 01000

Chapter 7

REF. NO.	PART NUMBER	QTY.	DESCRIPTION	REF. NO.	PART NUMBER	QTY.	DESCRIPTION
1	2014-662	1	COVER FUSE PANEL	41	2096-654	1	HOSE HEATER RETURN
2	2014-975	1	COVER HEATER	42	2014-737	1	HOSE HEATER 10
3	2045-903	1	BLOWER	43	0316-027	8	CLAMP 20.9MM TO 24.1MM STEPLESS EAR CLAMP
4	2014-655	1	FILTER, FRESH AIR	44	2014-800	4	LOUVER
5	2014-964	1	CORE HEATER	45	2014-840	1	COVER, RECIRC
6	2014-657	1	COVER, AIR FILTER	46	0782-037	2	LOUVER,A/C,PERRIN
7	2096-483	1	VALVE HEATER	47	2014-804	1	SEAL RECIRC VENT
8	2075-638	1	WEB GROMMET	48	0090-457	4	1/4-20 X 1 ZINC BUTTON SOCKET CAP SCREW
9	0315-103	6	CLAMP,HOSE,#4	49	0310-464	2	CLAMP,WIRE,1/2
10	7012-229	1	HOSE, HEATER, ENGINE TO TUBE	50	2014-243	1	LIGHT, PEDESTAL
11	8050-157	23	HARDENED WASHER,FLAT,#12,SAE	51	8051-242	1	WASHER,SPRING LOCK,5/16
12	8102-037	23	CAPSCREW,HH,1/4-20UNCx.50,GD8	52	8102-127	1	CAPSCREW,HH,5/16-18x.5
13	2095-875	1	ESCHION HVAC CONTROL	53	2014-782	2	SEAL, FOAM .625 X 24 X .500
14	2095-876	1	DECAL PLATE HVAC CONTROL				
15	2045-899	1	SWITCH 3 SPEED				
16	2095-874	1	CONTROLLER TEMP				
17	2095-873	2	KNOB PERRIN HVAC CONTROL				
18	0310-138	1	PLUG				
19	0090-305	4	RETAINER, PUSH-TYPE .250 DIA				
20	8050-262	7	HARDENED WASHER,FLAT,5/16,USS				
21	8102-220	5	CAPSCREW,HH,3/8-16UNCx0.75,GD8				
22	8102-222	2	CAPSCREW,HH,3/8-16UNCx1.0,GD8				
23	8050-157	3	HARDENED WASHER,FLAT,#12,SAE				
24	8102-042	3	CAPSCREW,HH,1/4-20x1.00				
25	0315-077	1	ADAPTER, 10MFFOR-6NPT				
26	0315-140	1	ADAPTER 06MFFOR-12MM				
27	2014-574	1	TUBE HEATER PRESSURE				
28	2014-371	1	TUBE HEATER RETURN				
29	2014-373	1	WLMT MNT HEATER TUBE				
30	0310-831	4	CLAMP, SET, T2062 - PP				
31	0310-584	4	PLATE, COVER, TCP-T2				
32	8102-134	2	CAPSCREW,HH,5/16-18UNCx1.25,GD8				
33	0314-538	1	BASE, CLAMP, TWP-02 (PLATED)				
34	2014-926	1	TUBE HEATER CAB RETURN				
35	8050-222	4	HARDENED WASHER,FLAT,1/4,USS				
36	8102-132	4	CAPSCREW,HH,5/16-18UNCx1.0,GD8				
37	2014-927	1	TUBE HEATER CAB PRESSURE				
38	8102-047	1	CAPSCREW,HH,1/4-20x2.0				
39	8102-135	1	CAPSCREW,HH,5/16-18UNCx1.50,GD8				
40	7012-229	2	HOSE, HEATER, ENGINE TO TUBE				



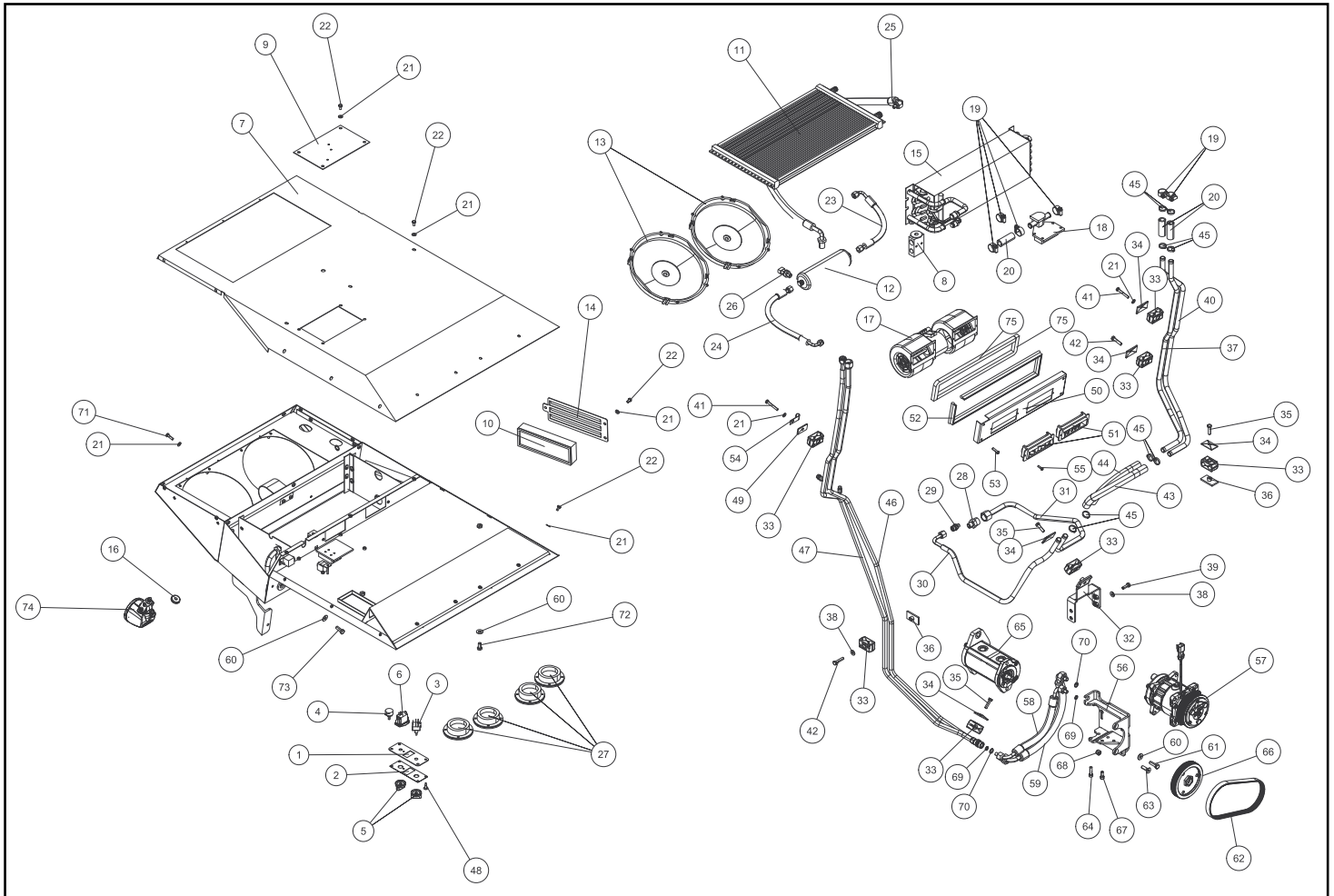
# HVAC (OPTIONAL)

RT-40 valid from 01000

Chapter 7

REF. NO.	PART NUMBER	QTY.	DESCRIPTION
1	2095-875	1	ESCHION HVAC CONTROL
2	2095-876	1	DECAL PLATE HVAC CONTROL
3	2045-899	1	SWITCH 3 SPEED
4	2095-874	1	CONTROLLER TEMP
5	2095-873	2	KNOB PERRIN HVAC CONTROL
6	2076-241	1	SWITCH, A/C
7	2014-974	1	COVER HVAC
8	3030-443	1	VALVE EXPANSION PERRIN
9	2014-662	1	COVER FUSE PANEL
10	2014-655	1	FILTER, FRESH AIR
11	2095-547	1	CONDENSOR, 22 X 12
12	2095-550	1	RECEIVER DRYER
13	2076-170	2	FAN A/C CONDENSOR
14	2014-657	1	COVER, AIR FILTER
15	2014-966	1	CORE HEATER/EVAP COMBO
16	2075-638	1	WEB GROMMET
17	2045-903	1	BLOWER
18	2096-483	1	VALVE HEATER
19	0315-103	6	CLAMP,HOSE,#4
20	7012-229	3	HOSE, HEATER, ENGINE TO TUBE
21	8050-157	34	HARDENED WASHER,FLAT,#12,SAE
22	8102-037	30	CAPSCREW,HH,1/4-20UNCx.50,GD8
23	2014-967	1	HOSE AC DRIER-COND.
24	2014-968	1	HOSE AC VALVE-DRIER
25	2014-969	1	HOSE AC COND-BLKHD
26	2045-889	1	SWITCH PRESSURE LOW
27	2014-800	4	LOUVER
28	0315-077	1	ADAPTER, 10MFFOR-6NPT
29	0315-140	1	ADAPTER 06MFFOR-12MM
30	2014-574	1	TUBE HEATER PRESSURE
31	2014-371	1	TUBE HEATER RETURN
32	2014-373	1	WLMT MNT HEATER TUBE
33	0310-831	7	CLAMP, SET, T2062 - PP
34	0310-584	5	PLATE, COVER, TCP-T2
35	8102-134	3	CAPSCREW,HH,5/16-18UNCx1.25,GD8
36	0314-538	2	BASE, CLAMP, TWP-02 (PLATED)
37	2014-926	1	TUBE HEATER CAB RETURN
38	8050-222	5	HARDENED WASHER,FLAT,1/4,USS
39	8102-132	4	CAPSCREW,HH,5/16-18UNCx1.0,GD8
40	2014-927	1	TUBE HEATER CAB PRESSURE

REF. NO.	PART NUMBER	QTY.	DESCRIPTION
41	8102-047	2	CAPSCREW,HH,1/4-20x2.0
42	8102-135	2	CAPSCREW,HH,5/16-18UNCx1.50,GD8
43	2096-654	1	HOSE HEATER RETURN
44	2014-737	1	HOSE HEATER 10
45	0316-027	8	CLAMP 20.9MM TO 24.1MM STEPLESS EAR CLAMP
46	2014-901	1	TUBE A/C -10
47	2014-900	1	TUBE A/C -8
48	0090-305	4	RETAINER, PUSH-TYPE .250 DIA
49	2096-860	1	PLATE, CLAMP FLAT COVER
50	2014-840	1	COVER, RECIRC
51	0782-037	2	LOUVER,A/C,PERRIN
52	2014-804	1	SEAL RECIRC VENT
53	0090-457	4	1/4-20 X 1 ZINC BUTTON SOCKET CAP SCREW
54	0090-473	1	J-CLIP
55	0090-746	4	#10-24x3/4 Socket Button Head Cap Screw, Alloy
56	2014-906	1	WLMT MNT COMPRESSOR
57	3030-111	1	COMPRESSOR, SANDEN 4 EAR, 8 V GROOVE
58	2014-898	1	HOSE, A/C, -8, 8ACA-8FTON90S, 8ACA-8FTON90S
59	2014-899	1	HOSE, A/C, -10ACA-10FTON90S, -10ACA
60	8050-262	11	HARDENED WASHER,FLAT,5/16,USS
61	8102-224	4	CAPSCREW,HH,3/8-16UNCx1.25,GD8
62	2014-897	1	BELT STRETCHY A/C
63	0090-762	2	CAPSCREW FLHS 3/8-16 X 1.25
64	0305-218	2	CAPSCREW,SOC HD M8 X 1.25 X 30L 91290A434
65	2014-939	1	PUMP, AUX/CHARGE, A/C
66	2014-940	1	PULLEY,A/C 5-RIB, ALUMINUM
67	0310-840	3	CAPSCREW, SOC HD, M8-1.25x20 GD8
68	8040-486	2	NUT,HEX,NYLOCK,3/8-16,UNC
69	2046-251	3	O-RING # 8 GREEN
70	2076-189	3	O-RING # 10 GREEN
71	8102-042	2	CAPSCREW,HH,1/4-20x1.00
72	8102-220	5	CAPSCREW,HH,3/8-16UNCx0.75,GD8
73	8102-222	2	CAPSCREW,HH,3/8-16UNCx1.0,GD8
74	2014-243	1	LIGHT, PEDESTAL
75	2014-782	2	SEAL, FOAM .625 X 24 X .500
76	2095-676	3	RELAY 12V-50A SPDT
77	2014-981	3	FUSE ATO/ATC 25AMP
78	0782-068	1	THERMOSTAT,AC PERRIN



# Chapter 8

## Working Equipment

### **8-1 Lift Arms**

RT-40 Serial # valid from - 00100 **8-1A**

### **8-2 Quick Attach - Manual**

RT-40 Serial # valid from - 00100 **8-2A**

**\* Parts manuals are updated frequently. To ensure current parts information, always refer to the latest version of this manual (posted online, consult your dealer).**

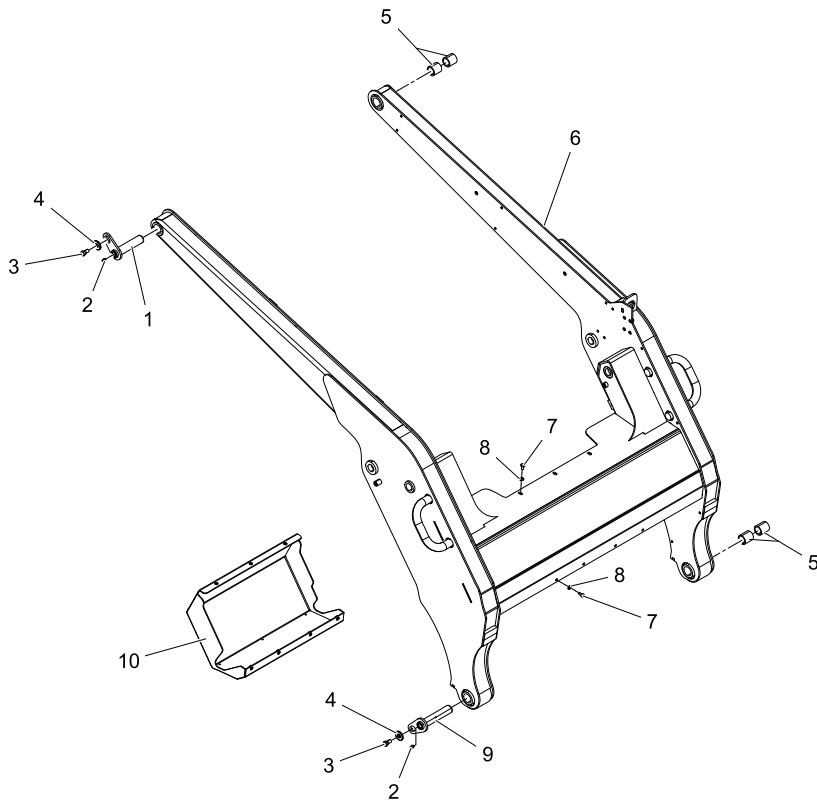
**NOTE:** When ordering parts that are painted, a specific part number format is required. Please refer to page II of this manual for paint code and ordering information.

# LIFT ARMS

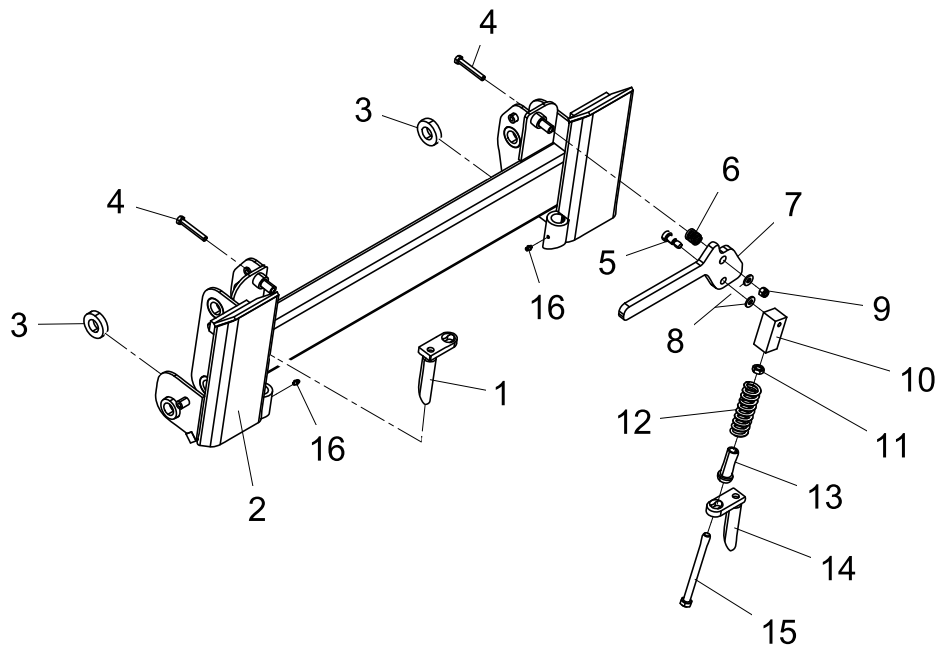
RT-40 valid from 00100

Chapter 8

REF. NO.	PART NUMBER	QTY.	DESCRIPTION	REF. NO.	PART NUMBER	QTY.	DESCRIPTION
1	2014-212	2	PIN WELDMENT				
2	0300-607	4	ZERK, GREASE, 1/4-28 1103K21				
3	8102-220	4	CAPSCREW, HH, 3/8-16x0.75", GD8				
4	0090-721	4	WASHER, FENDER, 3/8" x 1.250" OD LCZ STEEL THICK				
5	2010-272	8	BUSHING LOADER TOWER				
6	2014-014	1	LOADER				
7	8102-037	7	CAPSCREW, HH, 1/4-20 UNCx.50, GD8				
8	8050-157	7	WASHER, WROUGHT, #10 3/16, STD, ZN				
9	2014-213	2	PIN WELDMENT				
10	2014-143	1	WLMT COVER VALVE				



REF. NO.	PART NUMBER	QTY.	DESCRIPTION	REF. NO.	PART NUMBER	QTY.	DESCRIPTION
1	2010-413	1	PIN QA WLMT RH				
2	2014-059	1	WLMT QUICK ATTACH				
3	2014-258	2	SPACER LOADER				
4	8102-229	2	CAPSCREW,HH 3/8-16UNCx2.5,GD8				
5	0400-653	2	CAPSCREW,SHOULDER,.5 x.63x3/8-				
6	0400-652	2	SPRING,COMPRESSION,.88 x .88 x .091				
7	2010-444	2	HANDLE QUICK ATTACH				
8	8050-262	4	WASHER,WROUGHT,5/16,STD,ZN				
9	8040-486	2	NUT,HEX,NYLOCK,3/8-16 UNC,ZN				
10	2010-547	2	BLOCK LATCH				
11	0304-936	2	NUT,HEX,THIN,1/2-13,ZN				
12	0400-651	2	SPRING,COMPRESSION PLATED				
13	0400-621	2	SPOOL,PIVOT				
14	2010-412	1	PIN QA WLMT LH				
15	8102-418	2	CAPSCREW,HH,1/2-13UNCx 6.0,GD8,ZN				
16	0300-607	2	ZERK,GREASE,1/4-28 1103K21				



# Chapter 9

## Graphics / Safety Decals

### **9-1 ISO Safety Decals**

RT-40 Serial # valid from - 00100 **9-1A**

### **9-2 Machine Graphics - ASV**

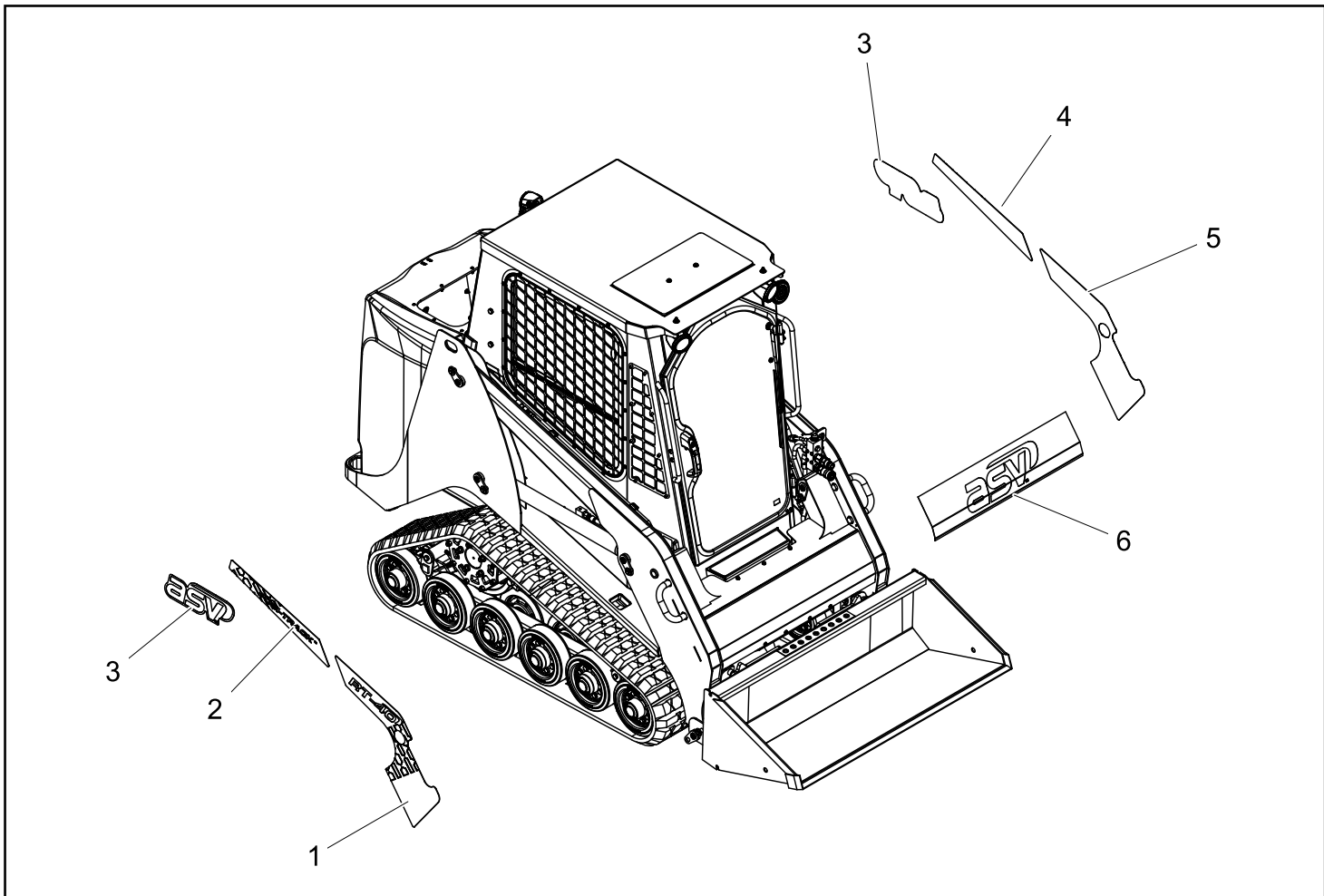
RT-40 Serial # valid from - 00100 **9-2A**

\* Parts manuals are updated frequently. To ensure current parts information, always refer to the latest version of this manual (posted online, consult your dealer).



REF. NO.	PART NUMBER	QTY.	DESCRIPTION
1	2014-292	1	DECAL
2	2010-864	1	DECAL LOADER RH REAR RT30
3	2030-333	2	DECAL ASV
4	2010-865	1	DECAL LOADER LH REAR RT30
5	2014-293	1	DECAL
6	2030-337	1	DECAL LOADER FRONT

REF. NO.	PART NUMBER	QTY.	DESCRIPTION





**ASV Holdings Inc.**

**840 Lily Lane**

**Grand Rapids, MN 55744**

**1-800-205-9913**

**[www.asvi.com](http://www.asvi.com)**