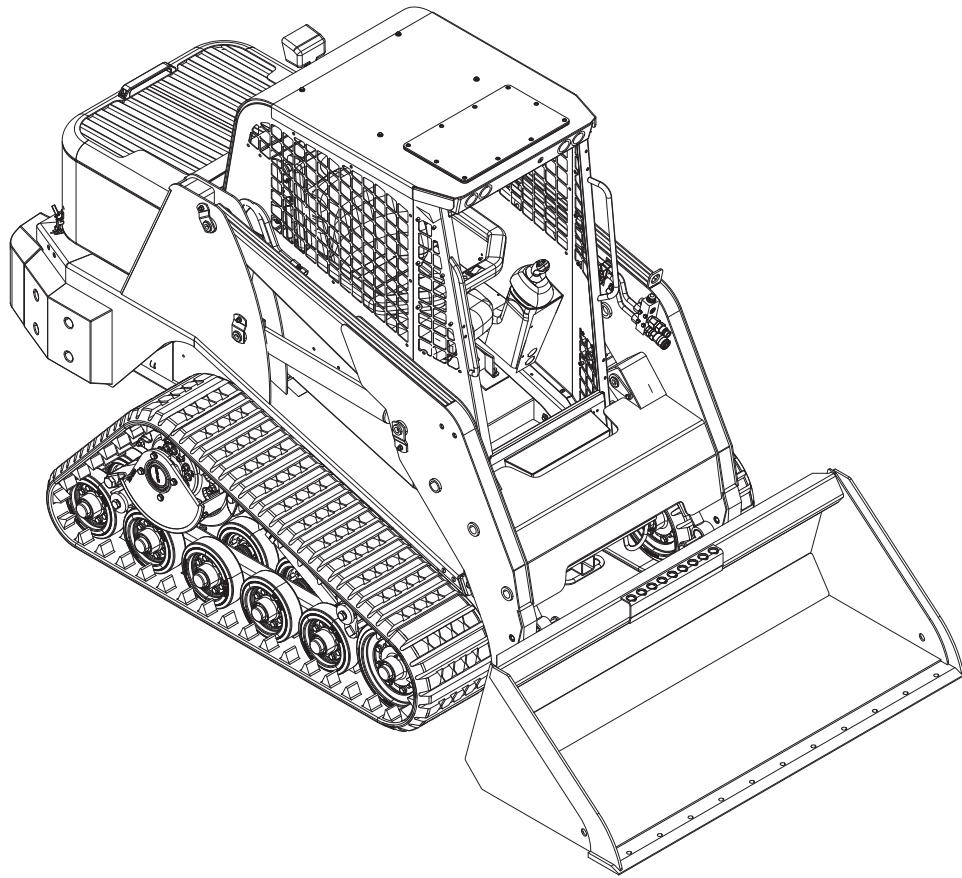


# **Master Part Manual**

## **Compact Track Loader**



**RT-60 1-spd**

Printed 11/11//2019

# Table of Contents

<b>1. Cab (R.O.P.S.) Assembly</b>	
RT-60 1spd Serial # 04077- Current* . . . .	<b>1-A</b>
<b>2. Light Bar Assembly</b>	
RT-60 1spd Serial # 04077- 04102 . . . . .	<b>2-A</b>
RT-60 1spd Serial # 04103- Current* . . . .	<b>2-B</b>
<b>3. Enclosed Cab (R.O.P.S.) Assembly</b>	
RT-60 1spd Serial # 04077- Current* . . . .	<b>3-A</b>
<b>4. Chassis Assembly</b>	
RT-60 1spd Serial # 04077- Current* . . . .	<b>4-A</b>
<b>5. Hood Assembly</b>	
RT-60 1spd Serial # 04077- Current* . . . .	<b>5-A</b>
<b>6. Radiator/Oil Cooler Assembly</b>	
RT-60 1spd Serial # 04077- Current* . . . .	<b>6-A</b>
<b>7. Hydraulic Reservoir Assembly</b>	
RT-60 1spd Serial # 04077- Current* . . . .	<b>7-A</b>
<b>8. Hydraulic Control Assembly</b>	
RT-60 1spd Serial # 04077- Current* . . . .	<b>8-A</b>
<b>9. Drive/Auxiliary Pump Assembly</b>	
RT-60 1spd Serial # 04077- Current* . . . .	<b>9-A</b>
<b>10. Engine Assembly</b>	
RT-60 1spd Serial # 04077- Current* . . . .	<b>10-A</b>
<b>11. Fuse Panel Assembly</b>	
RT-60 1spd Serial # 04077- Current* . . . .	<b>11-A</b>
<b>12. Torsion Axle Assembly</b>	
RT-60 1spd Serial # 04077- Current* . . . .	<b>12-A</b>
<b>13. Undercarriage Assembly (RT)</b>	
RT-60 1spd Serial # 04077- Current* . . . .	<b>13-A</b>
<b>14. Undercarriage Assembly (LT)</b>	
RT-60 1spd Serial # 04077- Current* . . . .	<b>14-A</b>
<b>15. Lift Arm Assembly</b>	
RT-60 1spd Serial # 04077- Current* . . . .	<b>15-A</b>
<b>16. Lift Arm Tubes and Fittings</b>	
RT-60 1spd Serial # 04077- Current* . . . .	<b>16-A</b>
<b>17. Quick Attach Assembly</b>	
RT-60 1spd Serial # 04077- Current* . . . .	<b>17-A</b>
<b>18. Hydraulic Quick Attach Assembly</b>	
RT-60 1spd Serial # 04077- Current* . . . .	<b>18-A</b>
<b>19. Cab Heater Assembly</b>	
RT-60 1spd Serial # 04077- Current* . . . .	<b>19-A</b>
<b>20. Heater/Air Conditioning Assembly</b>	
RT-60 1spd Serial # 04077- Current* . . . .	<b>20-A</b>
<b>21. Track Installation Tool</b>	
RT-60 1spd Serial # 04077- Current* . . . .	<b>21-A</b>
<b>22. Safety Decals U.S. (ANSI)</b>	
RT-60 1spd Serial # 04077- Current* . . . .	<b>22-A</b>
<b>23. Safety Decals ROW (ISO)</b>	
RT-60 1spd Serial # 04077- Current* . . . .	<b>23-A</b>
<b>24. Machines Graphics</b>	
RT-60 1spd Serial # 04077- Current* . . . .	<b>24-A</b>
<b>25. Kits</b>	
Kits . . . . .	<b>25-A</b>

\* “Current” refers to the machines being produced at the time this manual was printed. See manual cover for print date.

Parts manuals are updated regularly. To ensure current information, always refer to the latest version of this manual (posted online, consult your dealer).

**NOTE:** When ordering parts that are painted, a specific part number format is required. Please refer to page II of this manual for paint code and ordering information.

## Painted Service Parts

### ordering guidelines

Compact Track and Skid Steer Loaders are available in various colors and nomenclatures (brands / model names). **Paint color needs to be specified when ordering painted components.** When ordering painted components, inform the support representative of the brand and model name of your machine before selecting the proper color from the list below. The support representative should be able to assist you in finding the correct one based on your machine's **VIN number**. This should help to identify the original machine configuration and nomenclature.

**\*Note: Not all colors are available on all components. Available colors are limited to those considered "standard" on your particular machine and component(s). Please do not attempt to order non-standard colors for your machine as the order will not be fulfilled until corrected.**

The color codes are to be referenced as a suffix to the part number of the component you are requesting, for example: 0000-000-GRN (indicating a green part).

The following is a list of available colors.

<u>Color</u>	<u>Color Code:</u>
BLACK	BLK (ALL MODELS)
WHITE	WHT (TEREX)
YELLOW	YEL (VERMEER)
YELLOW	YEY (ASV)
GREEN	GRN (SUNBELT)
RED	RED (TAKEUCHI)
GRAY	GRY (TEE)
GRAY	GTG (SKID STEER WHEELS ONLY)
ORANGE	ORN (ASPLUNDH)

## GENERAL SERVICE ITEMS & LUBRICANTS

<u>ITEM</u>	<u>MANUFACTURER/DESCRIPTION</u>	<u>PART NUMBER</u>
-Engine Oil Filter	Filter- Oil	0200-377
-Primary Air Filter	Filter- Air	0200-339
-Secondary Air Filter	Filter- Air	0200-340
-Engine Fuel Filter	Filter- Fuel	0200-213
-Fuel screen	Screen	0200-561
-Water Separator O-ring		0201-985
-Fan Belt (qty: 2 without A/C, 1 with A/C)	Gates	2030-632
-A/C Belt (qty: 1 with A/C)	Gates (A48K)	0201-645
-Antifreeze/Coolant (1 gal.)	Ethylene Glycol (long life)	0300-766
-Antifreeze/Coolant (Case/6 gal.)	Ethylene Glycol (long life)	0402-841
-Engine Oil (1 qt.)	Multi-Grade 10W-30	0300-767
-Engine Oil (Case/12 qt.)	Multi-Grade 10W-30	0402-838
-Engine Oil (1 gal.)	Multi-Grade 10W-30	0402-839
-Engine Oil (Case/6 gal.)	Multi-Grade 10W-30	0402-840
-Grease (1 Tube)	Multi-Purpose Lithium	0300-769
-Grease (Box/10 Tubes)	Multi-Purpose Lithium	0402-844
-Grease (Case/40 Tubes)	Multi-Purpose Lithium	0402-834

## HYDRAULIC SERVICE ITEMS & LUBRICANTS

<u>ITEM</u>	<u>DESCRIPTION</u>	<u>PART NUMBER</u>
-Hydraulic Oil Filter	Filter- Hydraulic oil	0200-204
-Kit,Seal,Loader Valve & Relief	Fits Loader Valve (P/N:2030-817)	2010-877

<u>O-RING</u>	<u>PART NUMBER</u>
# 4, ORB Type	0314-366
# 6, ORB Type	0310-619
# 8, ORB Type	0307-353
# 10, ORB Type	0310-620
# 12, ORB Type	0310-621
# 16, ORB Type	0307-354
# 20, ORB Type	0310-832

# COMPONENT SERVICE ITEMS / HARNESSES

## RT-60 1spd

### HARNESSES

RT-60 1 spd Serial # 04077-04102

<u>ITEM</u>	<u>PART NUMBER</u>
HARNESS,JUMPER	0200-200
HARNESS,WIPER,A W/LO	0304-572
HARNESS,WIPER,B	0304-573
HARNESS,JUMPER,QA	2015-042
HARNESS GAUGE 2 UNIT	2030-275
HARNESS GAUGE 3 UNIT BEEDE CTL	2030-969
HARNESS AUX PWR ACT	2010-689
HARNESS MAIN PT50/60	2030-760
HARNESS CAB PT50/60	2030-761

RT-60 1 spd Serial # valid from: 04103

<u>ITEM</u>	<u>PART NUMBER</u>
HARNESS,JUMPER	0200-200
HARNESS,WIPER,A W/LO	0304-572
HARNESS,WIPER,B	0304-573
HARNESS,JUMPER,QA	2015-042
HARNESS, GAUGE 3 UNIT CTL	2030-987
HARNESS, GAUGE JUMPER	7011-233
HARNESS AUX PWR ACT	2010-689
HARNESS MAIN PT50/60	2030-760
HARNESS CAB PT50/60	2030-761

## **CYLINDER SERVICE ITEMS**

### **Serial #: 04077-Current**

- RH-Bucket/Tilt P/N: 2030-804
- LH-Q/A P/N: 2046-316
- LH-Bucket/Tilt P/N: 2030-803
- RH-Q/AP/N: 2046-317
- Lift-Arm P/N: 2030-824

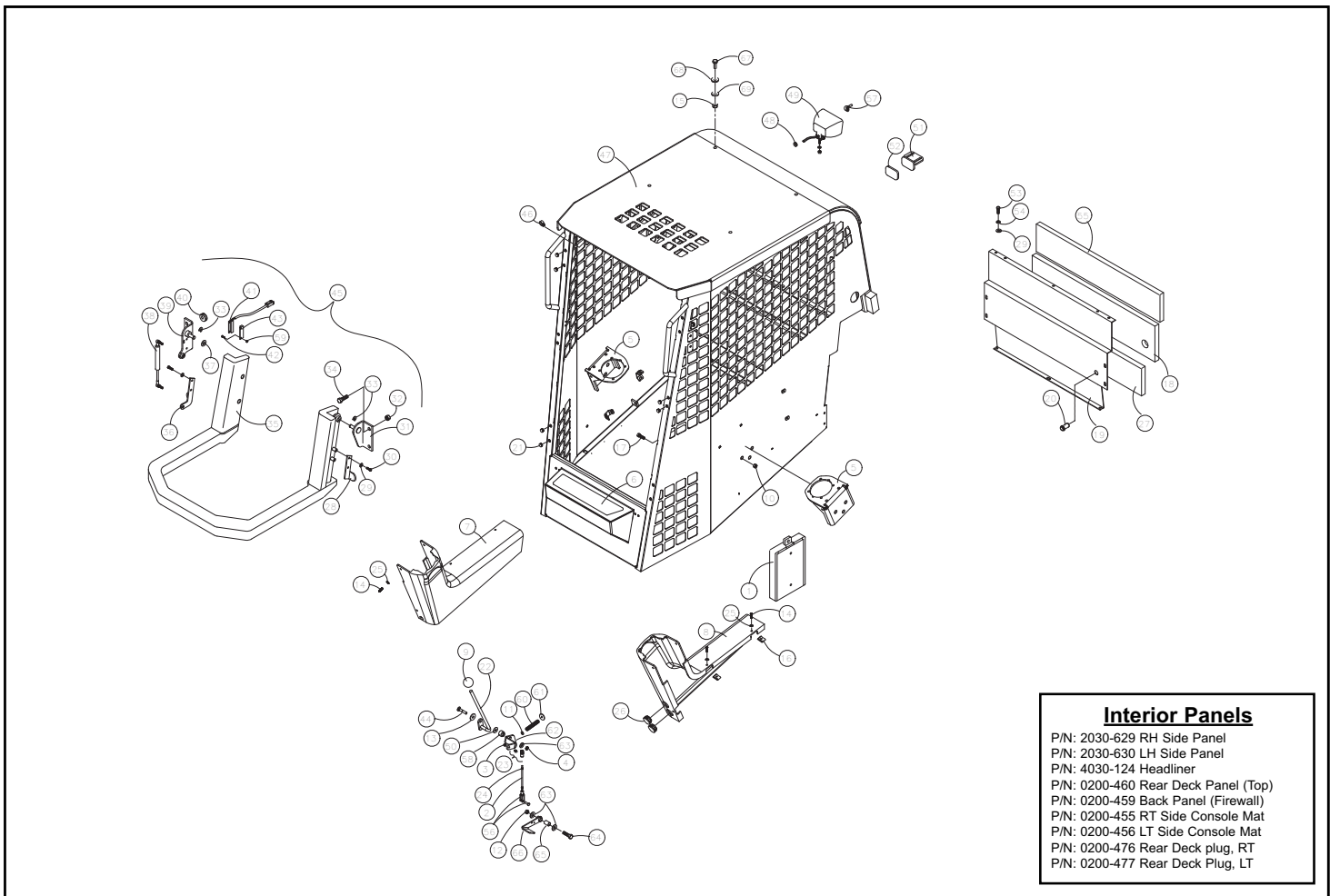
<b><u>ITEM</u></b>	<b><u>MANUFACTURER/DESCRIPTION</u></b>	<b><u>PART NUMBER</u></b>
-Kit,Seal,Bucket/Tilt Cylinder	Fits Cylinder (P/N:2030-803/804)	0404-535
-Rod,Bucket/Tilt Cylinder	Fits Cylinder (P/N:2030-803/804)	2030-660
-End Gland,Bucket/Tilt Cylinder	Fits Cylinder (P/N:2030-803/804)	2030-834
-Nut,Bucket/Tilt Cylinder	Fits Cylinder (P/N:2030-803/804)	2030-656
-Kit,Seal,Lift Arm Cylinder	Fits Cylinder (P/N:2030-824)	0404-534
-End Gland,Lift Arm Cylinder	Fits Cylinder (P/N:2030-824)	2030-838
-Rod,Lift Arm Cylinder	Fits Cylinder (P/N:2030-824)	2030-659
-Nut,Lift Arm Cylinder	Fits Cylinder (P/N:2030-824)	2030-656
-Kit,Seal,Q/A Cylinder	Fits Cylinder (P/N:2046-316/317)	2076-292

# CAB (R.O.P.S.) ASSEMBLY

RT- 60 1 spd. valid from - 04077

Section 1

REF. NO.	PART NUMBER	QTY.	DESCRIPTION	REF. NO.	PART NUMBER	QTY.	DESCRIPTION
1	0304-318	1	BOX,OWNERS MANUAL	41	0304-473	1	SENSOR,SWITCH,LAPBAR
2	2030-356	1	ROD, THREADED, 1/4-28 X 6.5"	42	0310-307	1	SCREW,MACHINE,4-40x.50 92314A110
3	8040-396	1	NUT,HEX,NYLOCK,1/4-28 UNF,ZN	43	0412-036	1	BRACKET LAP BAR ACTIVATION SWITCH
4	8041-500	1	NUT,HEX,NYLOCK,3/8-16 UNC,THIN	44	8011-227	1	BOLT,CARRIAGE,3/8-16 UNC x 2.0
5	0200-600	2	MNTS JOYSTICK	45	0304-019	1	ASSY,LAP BAR
6	0304-496	1	PAD,SKID	46	0090-172	6	CLIP,FASTENER
7	0200-588	1	CONSOLE RH	47	2030-511	1	WLMT ROPS 30/50/60
8	0200-587	1	CONSOLE LH	48	0301-637	1	GROMMET (1840)
9	0302-546	1	KNOB,PLASTIC,1-7/8 DIA,1/2-13	49	2030-672	1	LIGHT,REAR
10	0314-269	6	NUT,FLANGE,TOPLK,3/8-16UNC,GDG,ZN	50	2030-360	1	BELLEVILLE WASHER, 3/8" ID X 1-1/8 OD
11	8050-157	1	WASHER,WROUGHT, #10 3/16,STD,ZN	51	0200-320	2	WLMT,STOP LAP BAR
12	8040-486	1	NUT,HEX,NYLOCK,3/8-16 UNC,ZN	52	0200-321	2	PAD,RUBBER,W/ADHESIVE
13	2030-357	1	WASHER COMPOSITE	53	8102-044	5	CAPSCREW,HH,1/4-20UNCx1.25,GD8
14	0304-485	9	SCREW,MACH,10-24x3/4,STAINLESS	54	8051-212	5	WASHER,SPRING LOCK,1/4,ZN
15	8040-366	4	NUT,HEX,NYLOCK,1/4-20 UNC,ZN	55	0200-290	1	INSULATION, TOP
16	0090-010	4	NUT SPEED #10	56	0201-902	1	CLEVIS, 1/4-28,W/PIN
17	8102-222	6	CAPSCREW,HH,3/8-16 UNCx1.0,GD8,ZN	57	0302-112	1	BULB,HALOGEN
18	0200-291	1	INSULATION,MIDDLE	58	0201-867	1	BUSHING
19	0200-328	1	PLATE,FIREWALL	59	0310-308	1	NUT,HEX,NYLOCK 4-40,91831A005
20	0200-264	1	HOUSING,POWER SOURCE	60	0201-903	1	SPRING,1.75X0.48
21	0304-579	6	PLUG,HOLE,PLASTIC,5/16	61	0301-033	1	WASHER,FENDER,1/4 x 1 1/4,STL,
22	0201-912	1	LEVER,THROTTLE	62	2030-358	1	BRACKET FOOT THROTTLE
23	0300-529	1	CONNECTOR,JOINT,BALL	63	8050-282	3	WASHER,WROUGHT,3/8,STD,ZN
24	0301-121	2	NUT,JAM,1/4-28 UNF	64	8102-227	2	CAPSCREW,HH,3/8-16UNCx2.0 GD8
25	0090-012	8	WASHER FINISHING #10 SS	65	0201-865	1	BUSHING,FOOT PEDAL
26	0307-606	4	PLUG,FINISHING,STEEL,1-3/8"	66	0201-925	1	WLMT,PEDAL
27	0200-292	1	INSULATION,BOTTOM	67	8102-040	4	CAPSCREW,HH,1/4-20 UNCx.75,GD8 ZN
28	0304-466	1	STOP,LAPBAR	68	0090-325	4	WASHER 3/4"-5/16" RUBBER BONDED
29	8050-240	10	WASHER,STAINLESS,1/4",MS	69	8050-222	4	WASHER,WROUGHT,1/4,STD,ZN
30	0304-465	4	CAPSCREW,HH,M6-1.0x16mm				
31	0304-467	1	BRKT,LAPBAR				
32	8040-606	4	NUT,HEX,NYLOCK,1/2-13 UNC,ZN				
33	0304-468	2	RING,SNAP,LAPBAR				
34	8102-404	4	CAPSCREW,HH 1/2-13UNCx1.25 GD8				
35	0304-469	1	LAPBAR				
36	0304-470	1	MNT,LAPBAR				
37	0304-477	2	SPACER,LAPBAR				
38	0304-471	2	SPRING,GAS,ASSIST				
39	0304-472	1	MNT,LAPBAR,SWITCH				
40	0304-476	1	GROMMET,RUBBER				

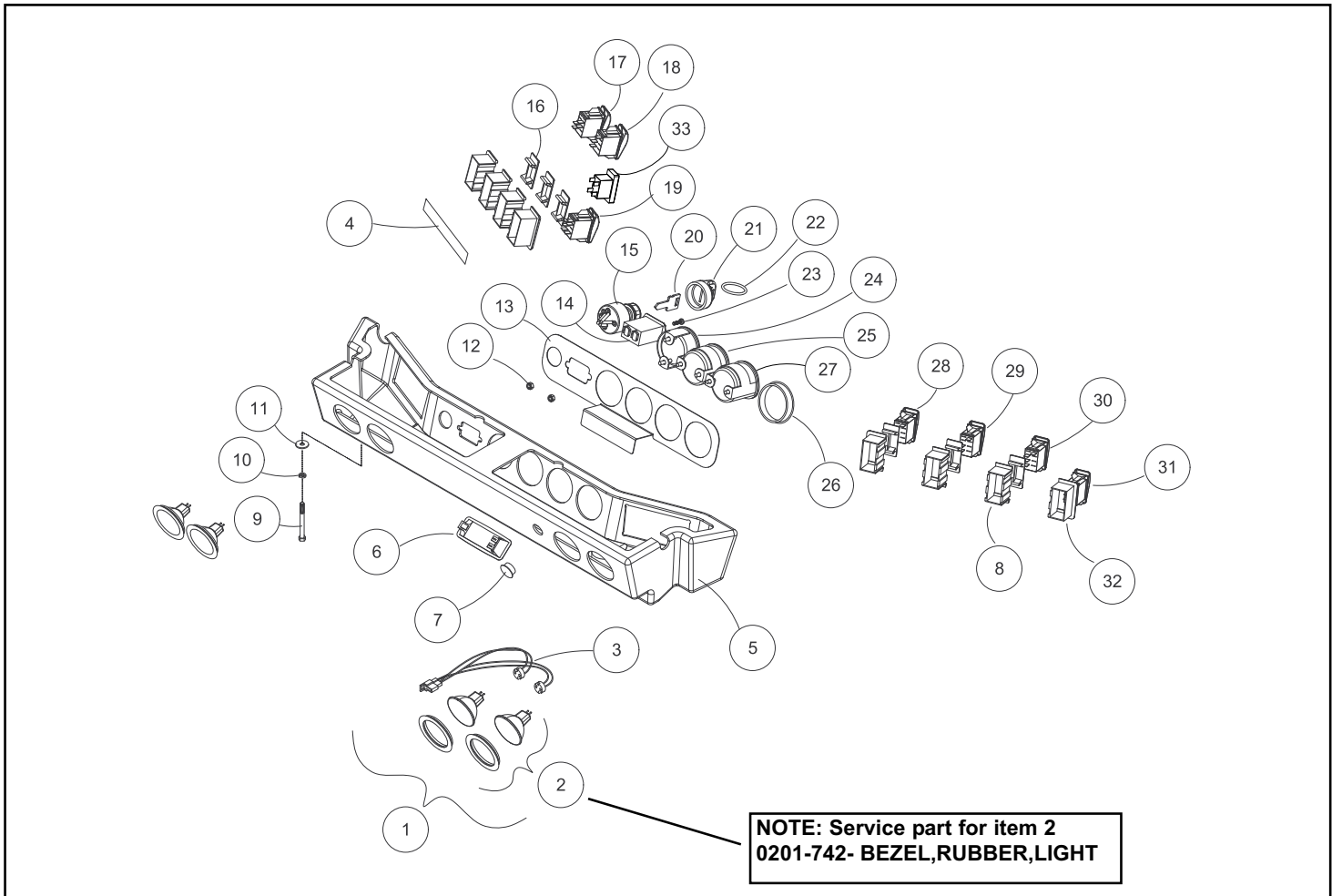


# LIGHT BAR ASSEMBLY

RT- 60 1 spd. valid from - 04077

Section 2

REF. NO.	PART NUMBER	QTY.	DESCRIPTION	REF. NO.	PART NUMBER	QTY.	DESCRIPTION
1	2045-755	4	KIT LIGHTS 35W W/ HARNESS				
2	2045-756	4	LIGHT 35W W/BEZEL				
3	0201-595	2	HARNESS,LIGHT,DOUBLE				
4	2030-331	1	DECAL DASH PANEL				
5	2030-241	1	CONSOLE MACHINED				
6	2030-245	1	LIGHT DOME				
7	0304-411	1	PLUG, HOLE, 3/4", PLASTIC				
8	0310-137	4	FRAME,MID				
9	8102-142	2	CAPSCREW,HH,5/16-18x3.25,GD8				
10	8051-242	2	WASHER,SPRING LOCK,5/16,ZN				
11	8050-262	2	WASHER,WROUGHT,5/16,STD,ZN				
12	8040-186	2	NUT,NYLOCK 8-32				
13	2030-272	1	PLATE BACKING GAUGES				
14	2045-502	1	METER HOUR				
15	0304-028	1	SWITCH,IGNITION,RC				
16	0310-138	6	PLUG				
17	2045-725	1	SWITCH 2 POSITION LOCKING (ORTIONAL)				
18	2045-477	1	SWITCH SELF LEVELER				
19	0200-252	1	SWITCH,3 POSITION,LOCKING				
20	2045-432	1	KEY IGNITION				
21	2045-792	1	COVER KEY IGNITION				
22	0304-551	1	RING,KEY				
23	0090-038	2	SCREW MACHINE PH 8-32 x .625 SS				
24	4030-129	1	GAUGE WARNING INDICATION				
25	4030-127	1	GAUGE FUEL				
26	2030-303	1	PLUG FINISHING 2" HEYCO 3050				
27	4030-128	1	TACHOMETER (ORTIONAL)				
28	0310-133	1	SWITCH,BEACON				
29	0304-123	1	SWITCH,ON/OFF,WIPER				
30	0310-128	1	SWITCH,HEATER				
31	0310-126	1	SWITCH,LIGHT				
32	0310-136	4	FRAME,END				
33	2075-749	1	INDICATOR RABBIT/GLOW PLUG				



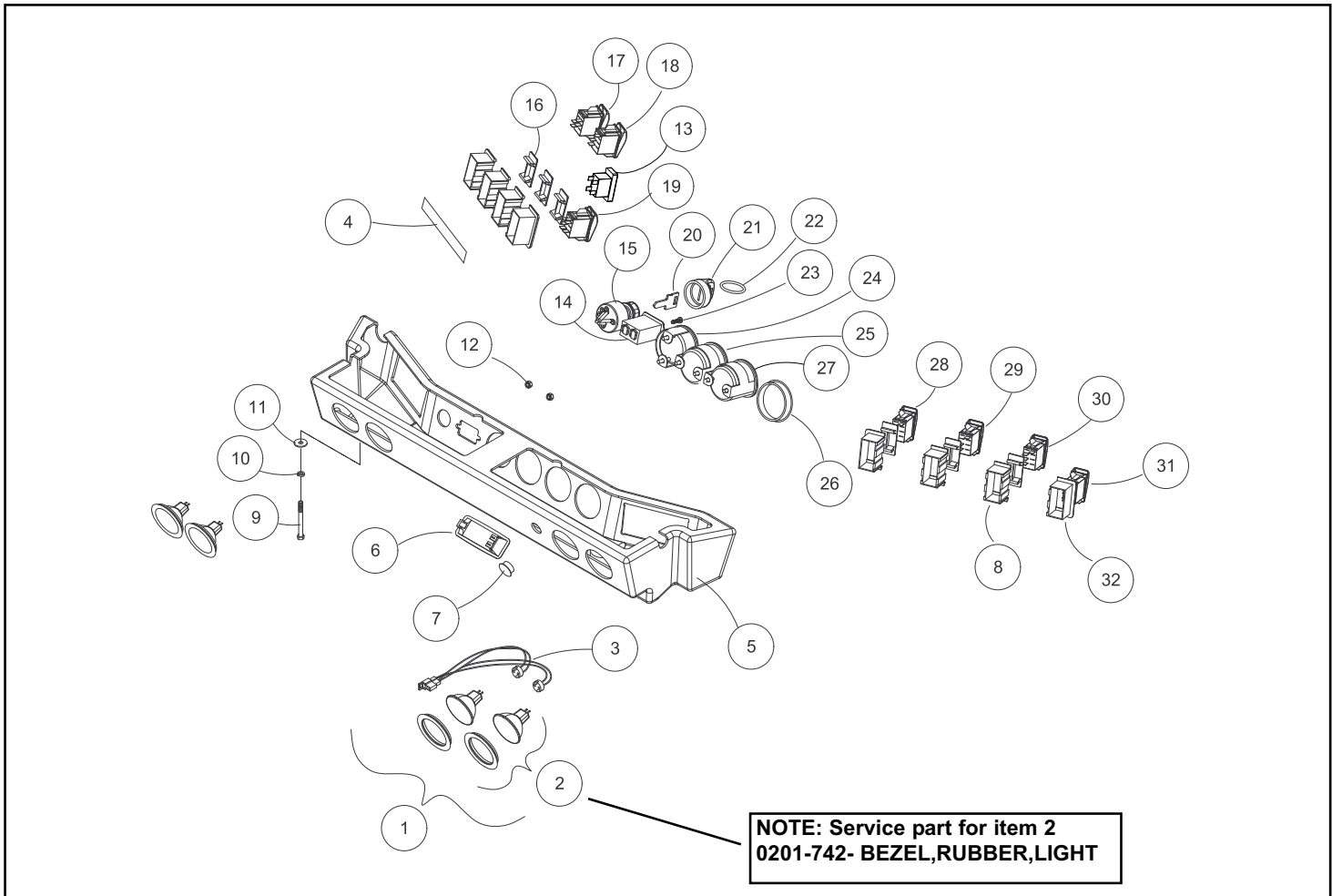
**NOTE: Service part for item 2  
0201-742- BEZEL,RUBBER,LIGHT**

# LIGHT BAR ASSEMBLY

RT- 60 1 spd. valid from - 04103

Section 2

REF. NO.	PART NUMBER	QTY.	DESCRIPTION	REF. NO.	PART NUMBER	QTY.	DESCRIPTION
1	2045-755	4	KIT LIGHTS 35W W/ HARNESS				
2	2045-756	4	LIGHT 35W W/BEZEL				
3	0201-595	2	HARNESS,LIGHT,DOUBLE				
4	2030-331	1	DECAL DASH PANEL				
5	2030-241	1	CONSOLE MACHINED				
6	2030-245	1	LIGHT DOME				
7	0304-411	1	PLUG, HOLE, 3/4", PLASTIC				
8	0310-137	4	FRAME,MID				
9	8102-142	2	CAPSCREW,HH,5/16-18x3.25,GD8				
10	8051-242	2	WASHER,SPRING LOCK,5/16,ZN				
11	8050-262	2	WASHER,WROUGHT,5/16,STD,ZN				
12	8040-186	2	NUT,NYLOCK 8-32				
13	2075-749	1	INDICATOR RABBIT/GLOW PLUG				
14	2045-502	1	METER HOUR				
15	0304-028	1	SWITCH,IGNITION,RC				
16	0310-138	6	PLUG				
17	2045-725	1	SWITCH 2 POSITION LOCKING (ORTIONAL)				
18	2045-477	1	SWITCH SELF LEVELER				
19	0200-252	1	SWITCH,3 POSITION,LOCKING				
20	2045-432	1	KEY IGNITION				
21	2045-792	1	COVER KEY IGNITION				
22	0304-551	1	RING,KEY				
23	0090-038	2	SCREW MACHINE PH 8-32 x .625 SS				
24	4030-129	1	GAUGE WARNING INDICATION				
25	4030-227	1	GAUGE, 2" FUEL, MAXIMATECC				
26	2030-303	1	PLUG FINISHING 2" HEYCO 3050				
27	4030-228	1	GAUGE, 2" TACHOMETER, MAXIMATECC				
28	0310-133	1	SWITCH,BEACON				
29	0304-123	1	SWITCH,ON/OFF,WIPER				
30	0310-128	1	SWITCH,HEATER				
31	0310-126	1	SWITCH,LIGHT				
32	0310-136	4	FRAME,END				



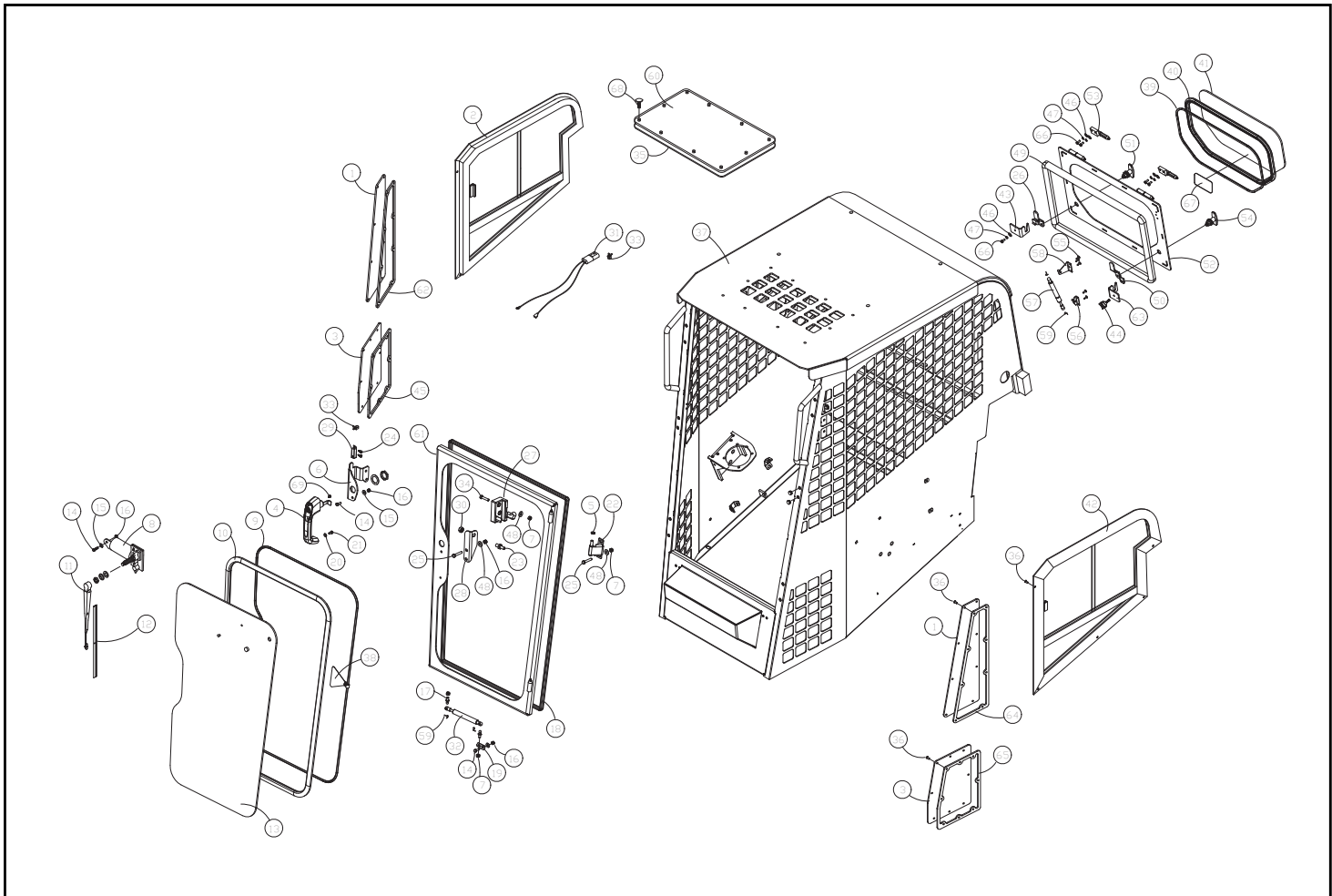
# ENCLOSED CAB (R.O.P.S.) ASSEMBLY

RT- 60 1 spd. valid from - 04077

Section 3

REF. NO.	PART NUMBER	QTY.	DESCRIPTION
1	0403-762	2	WINDOW UPPER CORNER
2	0402-769	1	GLASS,SLIDER,SINGLE,RH
3	4010-125	2	PANEL PLASTIC LOWER SCREENS
4	2075-406	1	HANDLE PUSH BUTTON
5	0403-503	2	BUSHING,HINGE
6	2075-409	1	MOUNT DOOR LATCH
7	8040-426	8	NUT,HEX,NYLOCK,5/16-18 UNC,ZN
8	0304-619	1	MOTOR,WIPER,85^
9	0310-495	12'	STRIP,LOCK
10	0304-674	1	SEAL,WINDOW,10FT
11	0402-243	1	ARM,WIPER,15-19"
12	0304-557	1	BLADE,FLAT,14"
13	4030-106	1	WINDOW DOOR PT30/60 CE
14	8102-040	4	CAPSCREW,HH,1/4-20 UNCx.75,GD8
15	8050-222	4	WASHER,WROUGHT,1/4,STD,ZN
16	8040-426	2	NUT,HEX,NYLOCK,5/16-18 UNC,ZN
17	0304-495	2	STUD,BALL,10MM STUD
18	0304-484	11'	TRIM,CAB
19	2030-348	1	MOUNT SPRING
20	8050-240	1	WASHER,STAINLESS,1/4",MS
21	0304-486	1	CAPSCREW,HH,M6-1.0x14
22	0403-481	2	ASSY HINGE DOOR CAST LH
23	2075-408	1	STRIKE
24	0090-059	2	SCREW MACHINE #10 x .63 PH SELF DRILLING
25	8102-136	6	CAPSCREW,HH,5/16-18x1.75 ZN GD
26	0403-848	1	LATCH ARM RH
27	2075-407	1	HANDLE INSIDE
28	2075-416	1	MOUNT STRIKE
29	0403-896	1	SWITCH DOOR PUSH BUTTON
30	0090-135	1	NUT NYLOCK M12 X 1.0 ZC
31	0304-573	1	HARNESS,WIPER,B
32	0403-630	1	SPRING DAMPENED DOOR
33	0090-167	4	TIE CABLE MOUNT
34	8102-135	2	CAPSCREW,HH,5/16-18x1.50ZN,GD8
35	0200-607	1	SEAL PANEL ROOF
36	8102-042	32	CAPSCREW, HH 1/4-20UNC 1" GD8
37	2030-511	1	ROPS PT30/50/60
39	0310-495	5	STRIP,LOCK
38	0201-748	1	ASSY,TAG,EMERGENCY EXIT
40	1059-015	5	SEAL,WINDOW

REF. NO.	PART NUMBER	QTY.	DESCRIPTION
41	0403-842	1	WINDOW REAR
42	0402-758	1	GLASS,SLIDER,SINGLE,LH
43	0403-854	1	CATCH WINDOW RH
44	0090-304	1	KNOB STAR 1.75" RED M6 X 1.1 X 6MM
45	0403-767	1	SEAL RH UPPER WINDOW
46	8050-222	5	WASHER,WROUGHT,1/4,STD,ZN
47	8051-212	5	WASHER,SPRING LOCK,1/4,ZN
48	8050-262	8	WASHER,WROUGHT,5/16,STD,ZN
49	0090-272	7'	SEAL V-PROFILE 15MM X 16MM
50	0403-847	1	LATCH ARM LH
51	0403-913	1	T-HANDLE NON LOCKING
52	0403-845	1	WLMT FRAME WINDOW REAR
53	0403-850	2	HINGE REAR WINDOW MALE
54	0403-846	1	T-HANDLE LOCKING
55	8060-731	5	RIVET,ALUMINUM,3/16x.575
56	0314-528	1	MOUNT GAS SPRING BALL 10MM
57	2045-503	1	SPRING GAS ASSIST
58	0200-552	1	MNT,BRACKET,BALLSTUD
59	0200-545	4	CLIP,SAFETY,GAS SPRING
60	0200-606	1	PANEL ROOF LEXAN
61	0403-478	1	WLMT,DOOR,W/HINGES
62	0403-766	1	SEAL LH UPPER WINDOW
63	0403-853	1	CATCH WINDOW LH
64	0403-764	1	SEAL LH UPPER WINDOW
65	0403-765	1	SEAL LH LOWER WINDOW
66	8102-039	5	CAPSCREW,HH,1/4-20UNCx.625,GD8
67	2010-592	1	DECAL EMERGENCY EXIT ANSI
68	0090-347	10	SCREW TH PH 1/4-20 X 1.25 ZN
69	0090-622	1	MACH, PH PAN HD, M6-1.0 X 10MM CLR ZNC



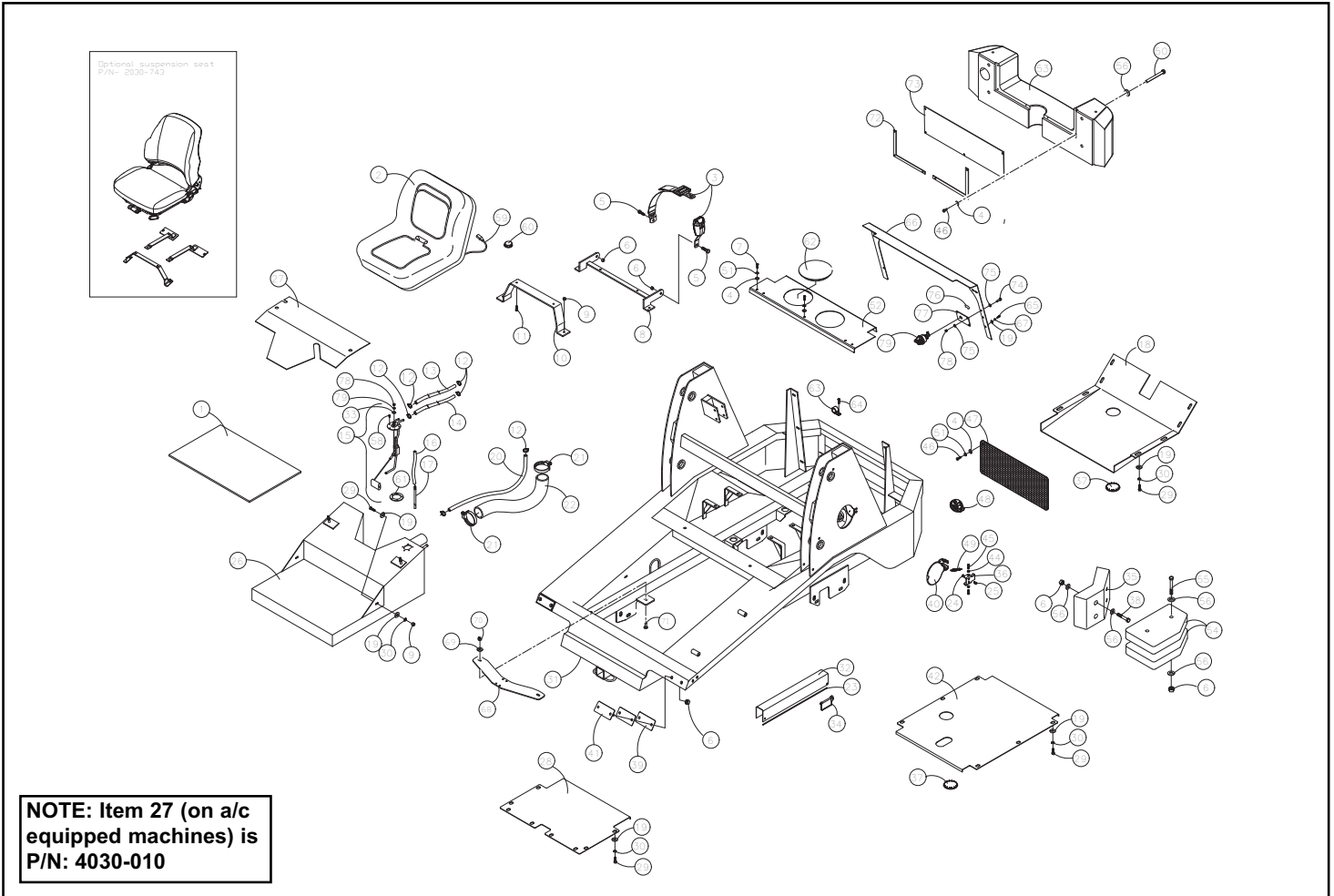
# CHASSIS ASSEMBLY

RT- 60 1 spd. valid from - 04077

Section 4

REF. NO.	PART NUMBER	QTY.	DESCRIPTION
1	0200-217	1	MAT,FLOOR,50 SERIES.
2	0304-045	1	SEAT
3	2076-409	1	BELT SEAT 2" ADJUSTABLE
4	8050-222	5	WASHER,WROUGHT,1/4,STD,ZN
5	8102-404	2	CAPSCREW,HH 1/2-13UNCx1.25 GD8
6	8040-606	19	NUT,HEX,NYLOCK,1/2-13 UNC,ZN
7	8102-042	5	CAPSCREW, HH 1/4-20UNC 1" GD8
8	0304-206	1	WLMT,MNT,SEAT,REAR
9	8040-486	4	NUT,HEX,NYLOCK,3/8-16 UNC,ZN
10	2010-434	1	MNT,SEAT,FRAME
11	8102-130	4	CAPSCREW,HH 5/16-18x3/4,GR8
12	0315-100	6	CLAMP,HOSE,#4
13	0200-361	1	HOSE,FUEL,3/16IDx35.00"
14	0200-353	1	HOSE,FUEL,5/16IDx30.00"
15	2030-961	1	ASSY SENDING UNIT
16	2030-968	1	HOSE, FUEL SENDER PICKUP
17	0301-375	1	WEIGHT,IN-TANK
18	0200-139	1	PLATE, SKID, REAR
19	8050-262	26	WASHER,WROUGHT,5/16,STD,ZN
20	0304-509	1	HOSE,FUEL,5/16x26"
21	0303-096	2	CLAMP,HOSE
22	0304-037	1	HOSE,FILL,DIESEL,FUEL
23	2030-188	2	FOAM,LOADER LOCK,15 1/2"
24	0090-003	2	NUT,WELD,HEX,5/16-18
25	0090-138	2	SCREW CAP HSFH 5/16-18 X .75 BLK ZC
26	2030-376	1	WLMT,TANK,FUEL
27	4030-131	1	PLATE FILLER FLOOR
28	0200-134	1	PLATE,SKID,FRONT
29	8102-222	24	CAPSCREW,HH,3/8-16 UNCx1.0,GD8
30	8051-272	24	WASHER,SPRING LOCK,3/8,ZN
31	2030-814	1	WLMT CHASSIS PT50/60
32	2030-154	1	LOCK,LOADER,REMOVABLE
33	0090-676	1	WASHER, FLAT - 10-24 BRASS
34	0201-477	2	PIN,LOCKING,D-RING,3.00"
35	2030-109	2	WEIGHT,REAR,SIDE
36	2030-316	1	BRACKET, FUEL DOOR
37	0310-423	2	PLUG,STEEL,3.00"
38	8102-406	8	CAPSCREW,HH,1/2-13UNCx1.75,GD8
39	0201-066	2	PLATE,BOLT
40	2030-317	1	WLMT DOOR ARM

REF. NO.	PART NUMBER	QTY.	DESCRIPTION
41	0201-483	4	BOLT,PLOW,1/2-13x2.00
42	0200-179	1	PLATE,SKID,CENTER
43	2030-320	1	SPRING EXTENSION 2.36"
44	0090-139	2	BUSHING PLASTIC .5 OD X .38 ID
45	0090-137	2	SCREW SHOULDER-HSH 5/16-18 X 1.00
46	8102-040	7	CAPSCREW,HH,1/4-20 UNCx.75,GD8
47	0200-140	1	SCREEN,BACK,CHASSIS
48	2045-407	1	CAP FUEL
49	2030-320	1	SPRING EXTENSION
50	8102-410	4	CAPSCREW,HH 1/2-13UNCx2.75 GD8
51	8051-212	10	WASHER,SPRING LOCK,1/4,ZN
52	0200-105	1	PLATE,ENGINE,SURROUND
53	0200-235	1	WEIGHT,REAR
54	0200-167	4	WEIGHT
55	8102-416	4	CAPSCREW,HH,1/2-13 UNCx5.5,GD8
56	8050-347	24	WASHER,WROUGHT,1/2,STD,ZN
57	0090-139	2	BUSHING PLASTIC .5 OD X .38 ID
58	0304-157	6	SCREW,ORING,3/16-32x1/2,STAINL
59	0304-662	1	HARNNESS,SWITCH,SEAT
60	2010-127	1	SWITCH,SEAT (NEW STYLE)
61	0304-617	1	GASKET,TANK,FUEL
62	0200-437	2	PLUG,HOLE,6"
63	0310-467	1	CLAMP,WIRE,1.0
64	0302-537	1	SCREW,SELF-TAPPING
65	8102-128	4	CAPSCREW,HH 5/16-18UNCx7/8 GR8 ZN
66	2030-584	1	FIREWALL
67	8051-242	4	WASHER,SPRING LOCK,5/16,ZN
68	2030-780	1	MNT PILOT GEN
69	8050-262	2	WASHER,WROUGHT,5/16,STD,ZN
70	8040-426	2	NUT,HEX,NYLOCK,5/16-18 UNC,ZN
71	8011-132	2	BOLT,CARRIAGE,5/16-18 UNCx1.0,
72	8102-132	2	CAPSCREW,HH,5/16-18UNCx1.0 GD8 ,ZN
73	8050-262	4	WASHER,WROUGHT,5/16,STD,ZN
74	4010-178	1	DECAL BATTERY SHUTOFF
75	2030-768	1	PLATE MOUNTING SWITCH
76	8040-426	2	NUT,HEX,NYLOCK,5/16-18 UNC,ZN
77	0404-324	1	SWITCH,
78	0090-674	1	NUT, HEX - 10-24 BRASS
79	8051-152	1	WASHER,SPRING LOCK,#10,ZN

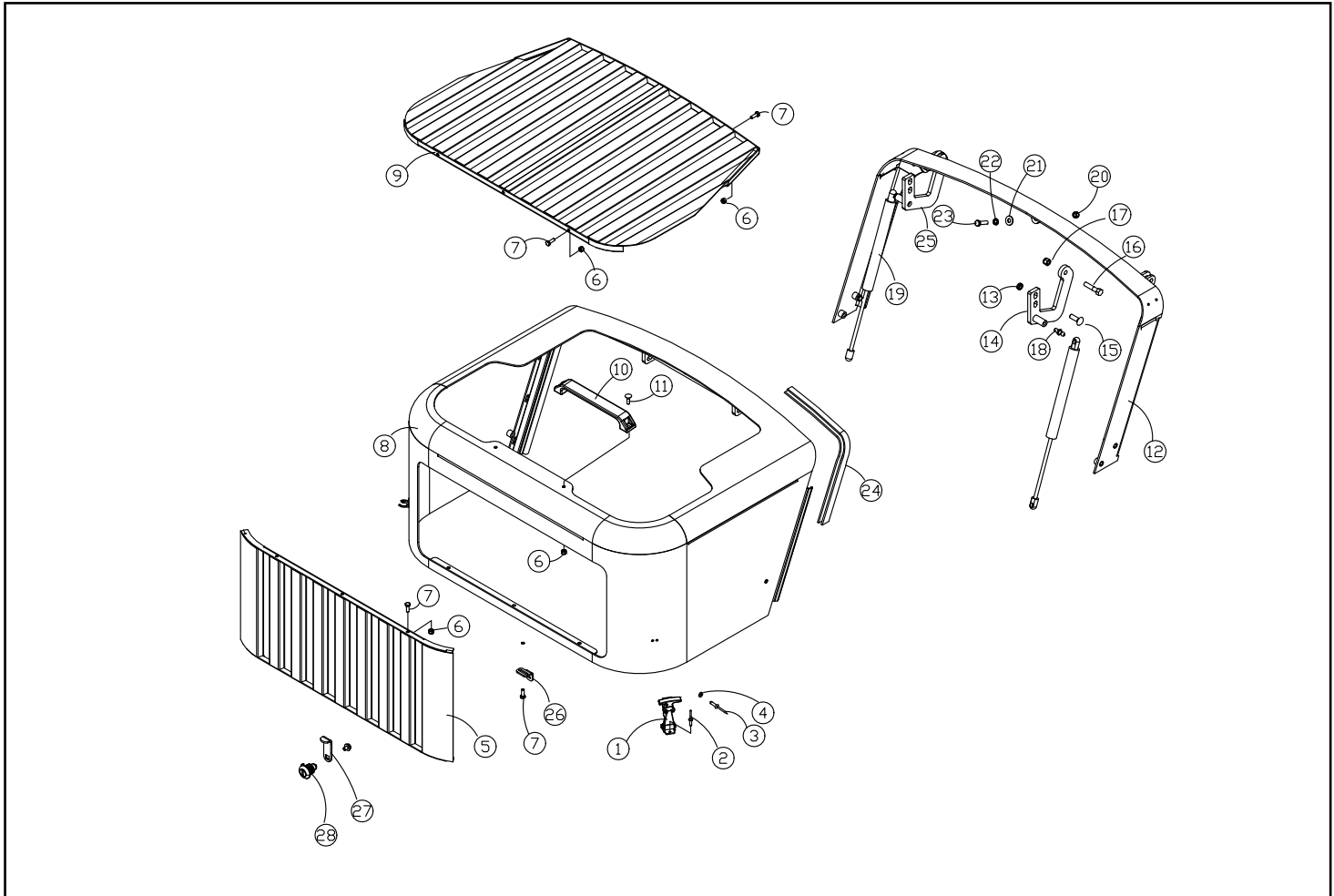


# HOOD ASSEMBLY

RT- 60 1 spd. valid from - 04077

Section 5

REF. NO.	PART NUMBER	QTY.	DESCRIPTION	REF. NO.	PART NUMBER	QTY.	DESCRIPTION
1	0302-042	2	LATCH,RUBBER,T-HANDLE				
2	8060-731	4	RIVET,STAINLESS,3/16x.575				
3	8060-688	4	RIVET,BLIND,3/16 x .375 ABA				
4	0302-965	4	WASHER,RIVET,#7				
5	2040-057	1	WLMT SCREEN REAR				
6	8040-366	15	NUT,HEX,NYLOCK,1/4-20 UNC,ZN				
7	8102-038	13	CAPSCREW,HH 1/4-20UNCx7/8 GRD8				
8	2030-444	1	WLMT HOOD PT60 (WHITE)				
9	2045-284	1	WLMT SCREEN TOP				
10	2045-647	1	HANDLE LIFT HOOD				
11	0310-648	2	SCREW,MACH,1/4-20UNCx1.25				
12	2030-445	1	WLMT COWL				
13	0314-269	4	NUT,FLANGE,TOPLK,3/8-16UNC,GDG,ZN				
14	2030-457	2	WLMT HINGE RH				
15	8011-222	4	BOLT CARRAIGE 3/8-16 UNC X 1.0 ZN				
16	8102-226	2	CAPSCREW,HH 3/8-16UNCx1.75 GD8				
17	8040-486	2	NUT,HEX,NYLOCK,3/8-16 UNC,ZN				
18	0304-495	4	STUD,BALL,10MM STUD				
19	2040-110	2	SPRING GAS 100 LB				
20	8040-426	5	NUT,HEX,NYLOCK,5/16-18 UNC,ZN				
21	8050-262	5	WASHER,WROUGHT,5/16,STD,ZN				
22	8051-242	5	WASHER,SPRING LOCK,5/16,ZN				
23	8102-134	5	CAPSCREW,HH,5/16-18UNCx1.25GD8				
24	2040-165	1	TRIM HOOD 140"				
25	2030-458	2	WLMT HINGE LH				
26	2030-389	1	HOOD LOCK HOOK				
27	2030-388	1	PAWL SOUTHCO				
28	2030-387	1	LOCK SOUTHCO				



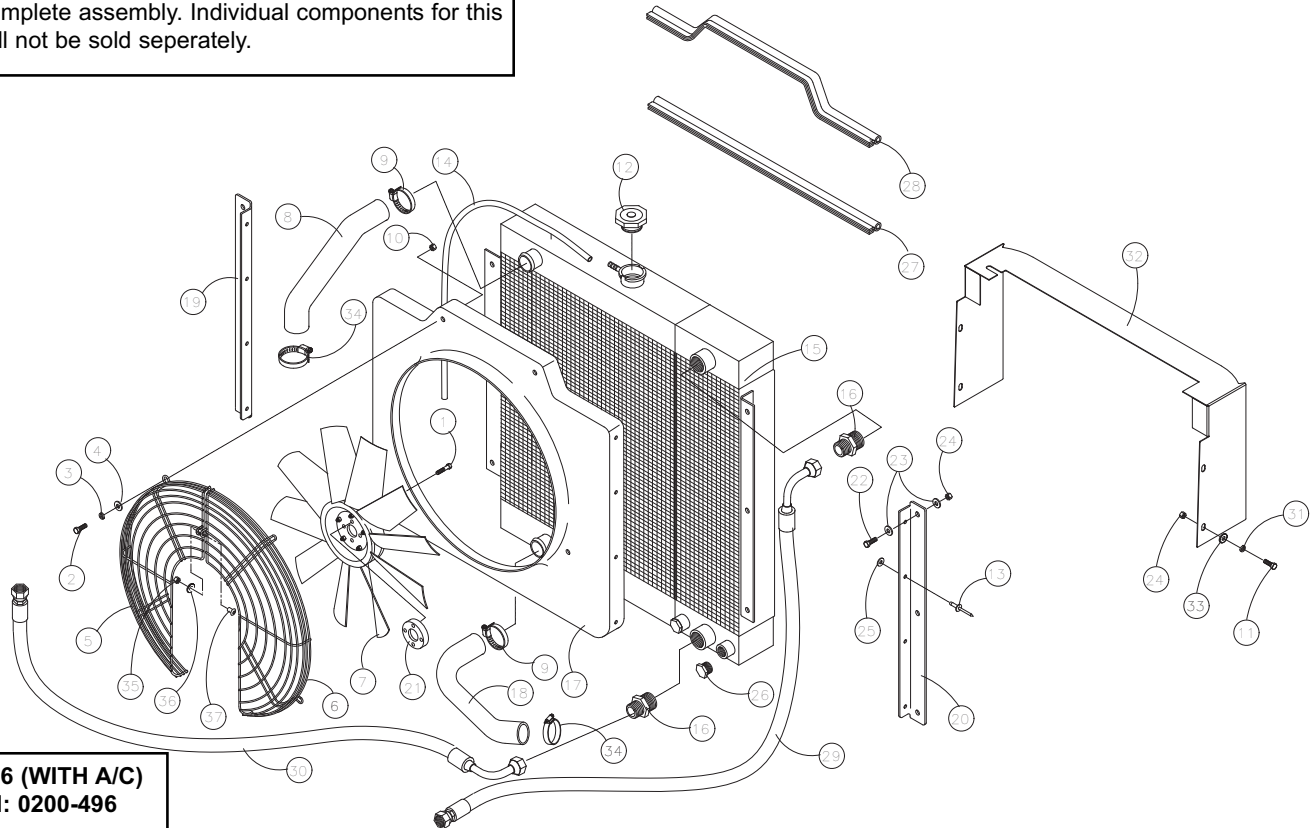
# RADIATOR/OIL COOLER ASSEMBLY

RT- 60 1 spd. valid from - 04077

Section 6

REF. NO.	PART NUMBER	QTY.	DESCRIPTION	REF. NO.	PART NUMBER	QTY.	DESCRIPTION
1	0200-336	4	CAPSCREW,HH,M6x1.0x40				
2	8102-040	11	CAPSCREW,HH,1/4-20 UNCx.75,GD8				
3	8051-212	11	WASHER,SPRING LOCK,1/4,ZN				
4	8050-222	11	WASHER,WROUGHT,1/4,STD,ZN				
5	0200-225	1	GUARD,FAN,LH				
6	0200-226	1	GUARD,FAN,RH				
7	0200-103	1	FAN,ENGINE,17" (SEE NOTE)				
8	0304-035	1	HOSE,RADIATOR,TOP				
9	0303-238	2	CLAMP,HOSE				
10	8040-366	11	NUT,1/4-20UNC,NYLOK				
11	8102-222	4	CAPSCREW,HH,3/8-16 UNCx1.0,GD8				
12	0200-358	1	CAP,RADIATOR,7PSI				
13	8060-728	8	RIVET,BLIND3/16X.550 1Y SSB66S				
14	0304-444	1	HOSE,7/16 x 5/16 POLY,3FT				
15	0200-492	1	ASSY,COOLER				
16	2030-097	2	ADAPTER,FS6400-12-16-0				
17	2030-040	1	SHROUD,3024cT				
18	0304-036	1	HOSE,RADIATOR,BOTTOM				
19	2030-117	1	MNT,SHROUD,RH				
20	2030-116	1	MNT,SHROUD,LH				
21	0200-507	1	SPACER,FAN,3024C				
22	8102-224	6	CAPSCREW,HH,3/8-16UNCx1.25,GD8				
23	8050-262	12	WASHER,WROUGHT,5/16,STD,ZN				
24	8040-486	10	NUT,HEX,NYLOCK,3/8-16 UNC,ZN				
25	0302-965	8	WASHER,RIVET,#7				
26	0307-439	2	ADAPTER,PLUG,8MB				
27	0200-360	1	SEAL,SHROUD,BOTTOM				
28	0200-359	1	SEAL,SHROUD,TOP				
29	2030-079	1	HOSE,12G1,12FFORX90S,12FFORX,6				
30	2030-078	1	HOSE,12G1,12FFORX90S,12FFORX90				
31	8051-272	4	WASHER,SPRING LOCK,3/8,ZN				
32	2030-278	1	PLATE DAM AIR				
33	8050-282	8	WASHER,WROUGHT,3/8,STD,ZN				
34	0303-240	2	CLAMP, HOSE				
35	8040-366	1	NUT,HEX,NYLOCK,1/4-20 UNC,ZN				
36	8050-240	1	WASHER,STAINLESS,1/4",				
37	0090-457	1	CAPSCREW 1/4-20 X 1				

**NOTE:**Item 7, 0200-103 FAN 17" must be purchased as a complete assembly. Individual components for this item will not be sold separately.



**ITEM 6 (WITH A/C)**  
P/N: 0200-496

**ITEM 21 (WITH A/C)**  
P/N: 0200-533

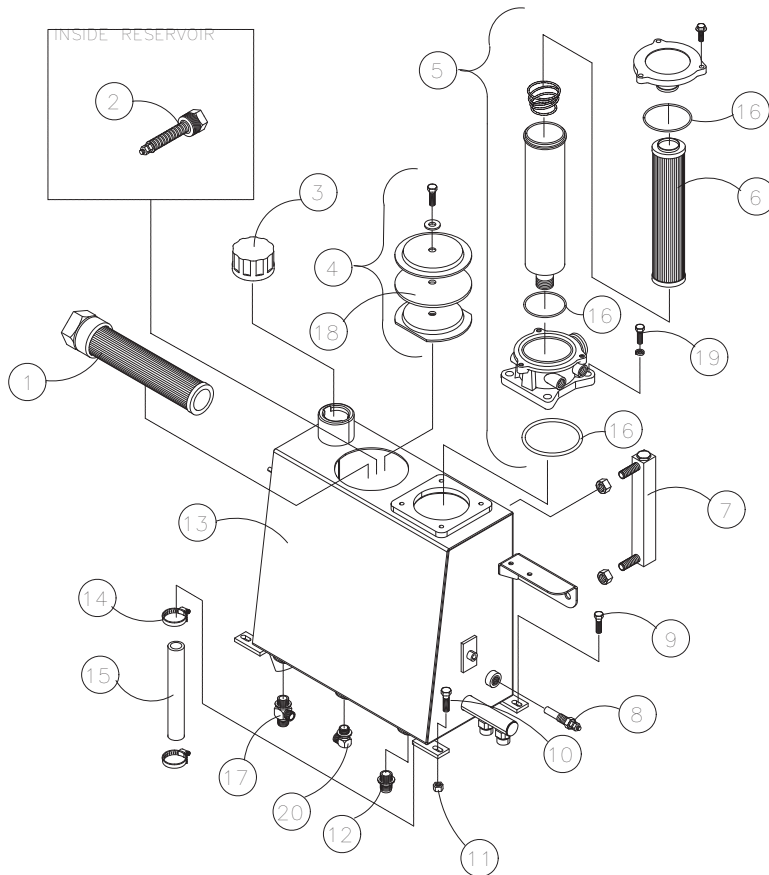
# HYDRAULIC RESERVOIR ASSEMBLY

RT- 60 1 spd. valid from - 04077

Section 7

REF. NO.	PART NUMBER	QTY.	DESCRIPTION	REF. NO.	PART NUMBER	QTY.	DESCRIPTION
1	0200-276	1	SCREEN,SUCTION				
2	0304-450	1	VALVE,RELIEF,RES.				
3	0304-832	1	CAP,SLOSH PROOF,0 PSI				
4	0304-452	1	ASSY,COVER,ACCESS				
5	0200-203	1	ASSY,FILTER,HYD,4-BOLT				
6	0200-204	1	ELEMENT,FILTER,MP				
7	0304-642	1	GAUGE,SIGHT 5"				
8	0307-879	1	SWITCH,TEMP,OIL,225^ F				
9	8102-134	1	CAPSCREW,HH,5/16-18UNCx1.25GD8				
10	8102-132	3	CAPSCREW,HH,5/16-18UNCx1.0 GD8				
11	8040-426	4	NUT,HEX,NYLOCK,5/16-18 UNC,ZN				
12	0302-713	1	ADAPTER,O-RING TO FLARE (4-6)				
13	2031-032	1	WLMT,RESERVOIR				
14	0304-384	2	CLAMP,HOSE # 16				
15	0304-442	1	HOSE,RES.				
16	0200-325	1	O-RING,FILTER CAP				
17	0304-621	1	ADAPTER,4MJ-6MB-4MJ				
18	0200-221	1	GASKET,COVER,ACCESS				
19	8104-132	4	CAPSCREW,HH 5/16-24UNF x 1 GD 8				
20	0310-321	1	ADAPTER,12MFFOR-12MB90ADAPTER				

ITEM 16 INCLUDES ALL IDENTIFIED O-RINGS



# HYDRAULIC CONTROL ASSEMBLY

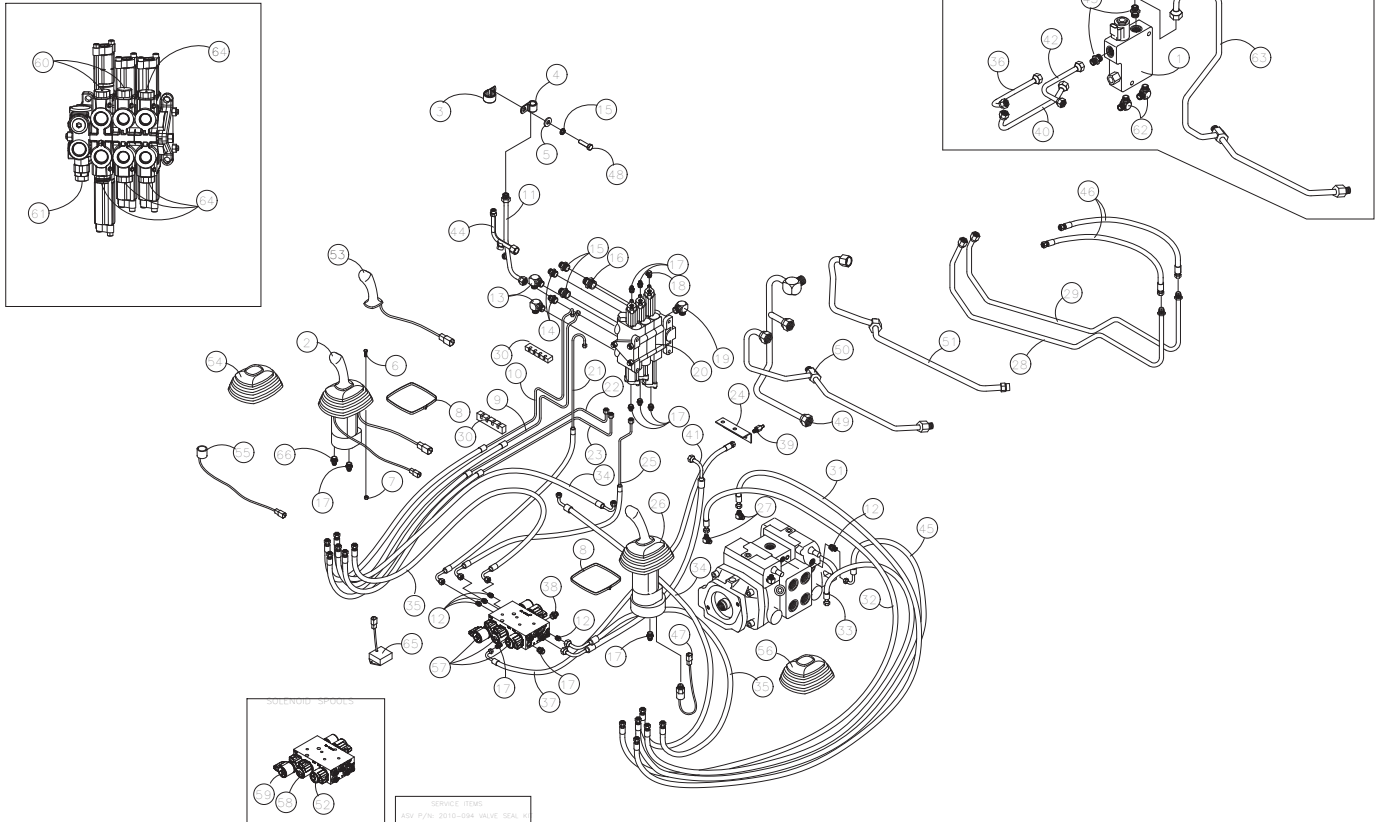
RT- 60 1 spd. valid from - 04077

Section 8

REF. NO.	PART NUMBER	QTY.	DESCRIPTION
1	0201-625	1	VALVE,SELF-LEVELING
2	2030-661	1	ASSY,JOYSTICK,RH
3	0310-467	1	CLAMP,WIRE,1.0,RBC-1
4	0310-465	1	CLAMP,WIRE,5/8,RBC-5/8
5	8050-262	1	WASHER,WROUGHT,5/16,STD,ZN
6	8104-040	8	CAPSCREW,HH 1/4-28UNFx .75 GD8
7	8040-396	8	NUT,HEX,NYLOCK,1/4-28 UNF,ZN
8	0307-882	2	TIE,CABLE,BLACK,18.1",W/STL IN
9	2030-062	1	ASSY,LINE,CONTROL,UP,LOADER
10	2030-059	1	ASSY,LINE,CONTROL,DUMP,BUCKET
11	2030-110	1	TUBE,BUCKET,LOWER,LEVELER
12	0201-311	8	ADAPTER,FS6400-04-04-0
13	0310-330	2	ADAPTER,10MFFOR-8MB-90
14	0201-658	2	ADAPTER,10MFFOR-8MB-S
15	8051-242	1	WASHER,SPRING LOCK,5/16,ZN
16	0310-313	1	ADAPTER,12MFFOR-12MB
17	0201-309	14	ADAPTER,FS6400-04-06-0
18	0201-319	1	ADAPTER,FS6801-04-06-NW0
19	0310-321	1	ADAPTER,12MFFOR-12MB90
20	2030-817	1	VALVE,LOADER
21	2030-067	1	ASSY,LINE,CONTROL,TOP,AUX
22	2030-057	1	ASSY,LINE,CONTROL,DOWN,LOADER
23	2030-055	1	ASSY,LINE,CONTROL,CURL,BUCKET
24	0200-330	1	BRACKET,FILTER
25	2030-064	1	ASSY,LINE,CONTROL,BOTTOM,AUX.
26	2030-675	1	ASSY,JOYSTICK,LH
27	0201-314	3	ADAPTER,FS6801-04-04-NW0
28	2030-004	1	TUBE,AUX,LOWER,VALVE
29	2030-003	1	TUBE,AUX,TOP,VALVE
30	0304-395	2	CLAMP,PILOT LINES
31	2030-052	1	HOSE,4G1,4FFORX90S,4FFORX,47.5
32	2030-050	1	HOSE,4G1,4FFORX,4FFORX,51.00"
33	2030-049	1	HOSE,4G1,4FFORX,4FFORX,47.00"
34	2030-054	1	HOSE,4G1,6FFORX90S,4FFORX,48.0
35	2030-053	2	HOSE,4G1,4FFORX90S,4FFORX,62.0
36	2030-111	1	TUBE,LEVELER,REAR
37	2030-048	1	HOSE,4G1,4FFORX90S,4FJX,52.00"
38	0310-329	3	ADAPTER,6MFFOR-6MB
39	0200-326	1	ADAPTER,TEST PORT,#4 BLK
40	2030-113	1	TUBE,LEVELER,FRONT

REF. NO.	PART NUMBER	QTY.	DESCRIPTION
41	2030-036	1	HOSE,4G1,4FFORX90M,6FFORX,36.0
42	2030-103	1	TUBE,LEVELER,TOP
43	0310-318	2	ADAPTER,10MFFOR-10MB )
44	2030-781	1	HOSE, -8, 4000 PSI
45	2030-051	1	HOSE,4G1,4FFORX90S,4FFORX,41.5
46	2030-071	2	HOSE,10M4K,10FFORX,10FFORX,22.
47	0304-441	1	SWITCH,PRESSURE
48	8102-134	1	CAPSCREW,HH,5/16-18UNCx1.25GD8 ZN
49	2030-118	1	TUBE,RETURN,VALVE
50	2030-005	1	TUBE,BOOM,LOWER,VALVE
51	2030-011	1	TUBE,BOOM,UPPER,VALVE
52	0118-168	1	SPOOL,SOLENOID,2POSITION,4WAY
53	0201-152	2	GRIP,CONTROL
54	0201-775	1	BOOT,JOYSTICK,RH
55	0304-516	1	MAGNET,DETENT
56	0201-774	1	BOOT,JOYSTICK,LH
57	0200-364	6	SOLENOID,W/DEUTSCH CONNECTOR
58	0118-165	3	SPOOL,SOLENOID,2POSITION,3WAY
59	0118-164	1	SPOOL,SOLENOID,3POSITION,4WAY
60	2030-818	2	RELIEF, WORK PORT, 3500 PSI ANTI CAVITY
61	2030-640	1	VALVE,RELIEF,PORT,3000PSI
62	0201-668	2	ADAPTER,FS6801-10-10NW0
63	2030-104	1	TUBE,BOOM,LEVELER
64	2030-819	2	RELIEF, WORK PORT, 3500 PSI DIRECT ACTING
65	0201-323	1	RELAY,LATCHING
66	2010-734	4	ADAPTER ORIFICE .040" FS6400-04-06

For kit information, please see page 25A



SERVICE ITEMS	
Part #	Description
0090-463	JOYSTICK BUTTON, MOMENTARY

# DRIVE/AUXILIARY PUMP ASSEMBLY

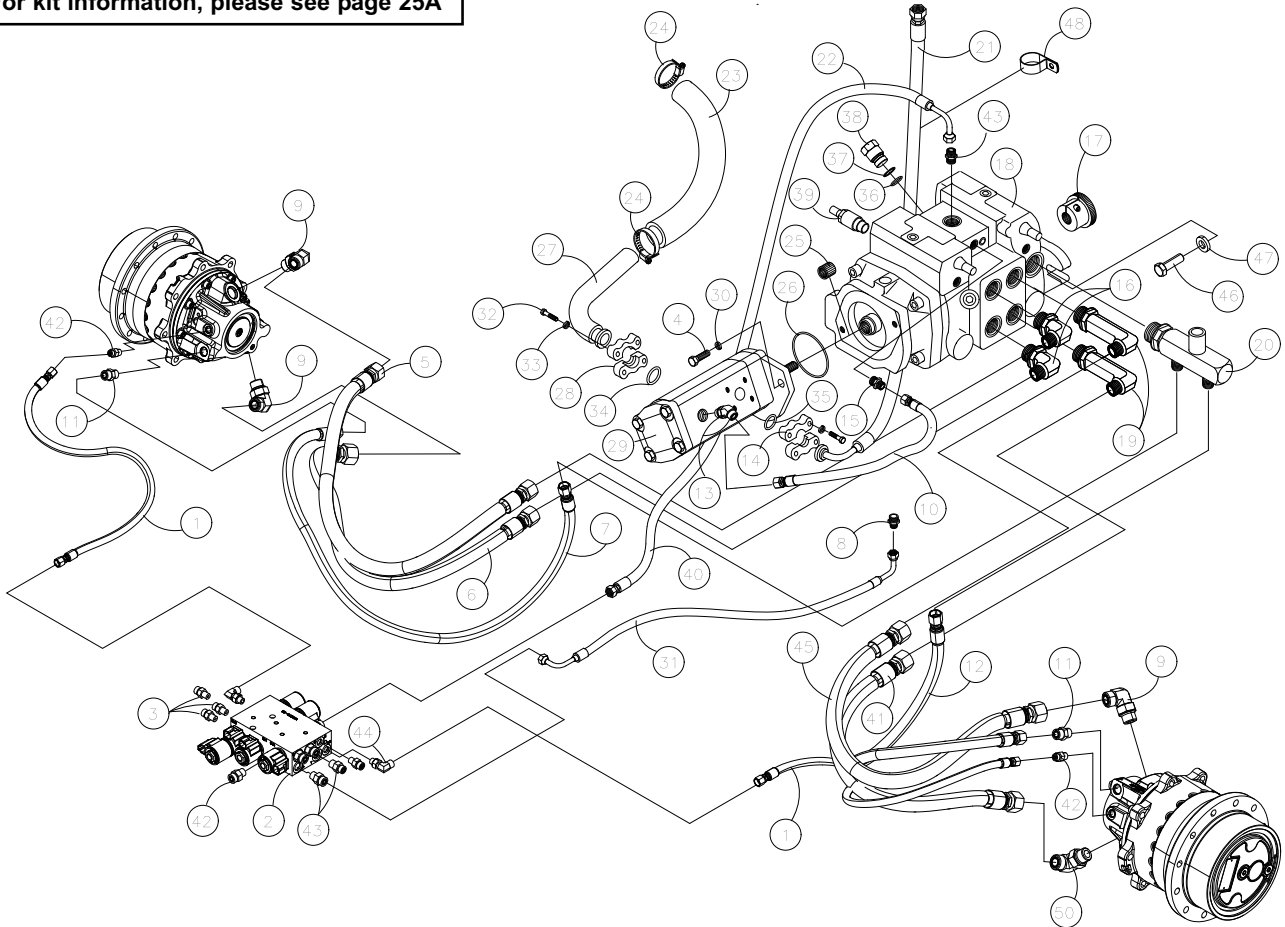
RT- 60 1 spd. valid from - 04077

Section 9

REF. NO.	PART NUMBER	QTY.	DESCRIPTION
1	2031-084	1	HOSE, -4, 1000 PSI, 4FFORX, 4FFORX, 30"
2	2030-291	1	BLOCK PILOT GEN W/QA PORTS
3	0201-311	3	ADAPTER,FS6400-04-04-0
4	8102-222	2	CAPSCREW,HH,3/8-16 UNCx1.0,GD8
5	2031-080	1	HOSE, -12, 6000 PSI, 12FFORX, 12FFORX, 42"
6	2031-081	1	HOSE, -12, 6000 PSI, 12FFORX, 12FFORX, 38"
7	2031-085	1	HOSE, -8, 1000 PSI, 8FFORX, 8FFORX, 47"
8	0201-654	4	ADAPTER,FS,6400,04,06,SHORT
9	0315-008	2	ADAPTER, HYD, 12 C5OLO-S,TRAP SEAL
10	2030-801	1	HOSE
11	0310-345	2	ADAPTER,8MFFOR-8MB
12	2031-083	1	HOSE, -8, 1000 PSI, 8FFORX, 8FFORX, 35"
13	7000-744	1	ADAPTER
14	0200-172	1	COUPLING,SPLIT,CODE 61,0.75"
15	0201-658	1	ADAPTER,10MFFOR-8MB-S
16	0310-321	2	ADAPTER,12MFFOR-12MB90
17	0200-104	1	HUB,PUMP DRIVE,1 1/4" x 14 TOO
18	2046-373	1	PUMP,TANDEM,TRANSMISSION (SEE NOTE)
19	0201-316	2	ADAPTER,FS6801-L-12-12-NW0
20	2030-072	1	MANIFOLD,DRAIN,CASE
21	2030-800	1	HOSE
22	2030-047	1	HOSE,6G1,6FFORX90S,6FFORX,41.5
23	0304-528	1	HOSE,RES,1.5x9
24	0303-238	4	CLAMP,HOSE
25	0200-355	1	ADAPTER,SPLINE
26	0307-169	1	O-RING,4.0" ID x 4-3/16" OD
27	0200-124	1	TUBE,INTAKE,RC 50
28	0200-171	1	COUPLING,SPLIT,CODE 61,1.25"
29	7001-414	1	PUMP,HYD,AUX
30	8051-272	2	WASHER,SPRING LOCK,3/8,ZN
31	2030-046	1	HOSE,6G1,6FFORX90S,6FFORX90L,2
32	0310-468	8	CAPSCREW,HH,M10x1.5x35,ZINC PL
33	0301-781	8	WASHER,SPLIT LOCK,10mm,ZN
34	0310-294	1	O-RING,#222,1.50x1.75x.13
35	0201-558	1	O-RING,0.984IDx0.139CS
36	0403-001	4	O-RING VALVE RELIEF
37	0403-002	4	O-RING BACK-UP VALVE RELIEF
38	0201-876	4	VALVE,RELIEF,5500 PSI
39	0403-100	1	RELIEF POSI POWER
40	2030-721	1	HOSE, -4, 1000 PSI, 4FFORX, 4FFORX90M, 25.5"

REF. NO.	PART NUMBER	QTY.	DESCRIPTION
41	2031-079	1	HOSE, -12, 6000 PSI, 12FFORX, 12FFORX, 27"
42	0201-309	6	ADAPTER,FS6400-04-06-0
43	0310-329	4	ADAPTER,6MFFOR-6MB
44	0201-314	2	ADAPTER,FS6801-04-04-NW0
45	2031-078	1	HOSE, -12, 6000 PSI, 12FFORX, 12FFORX, 30"
46	0201-575	2	CAPSCREW,HH,1/2-13UNCx1.625,GD8
47	0090-136	2	WASHER HARD 1.0 X .531 X .197

For kit information, please see page 25A



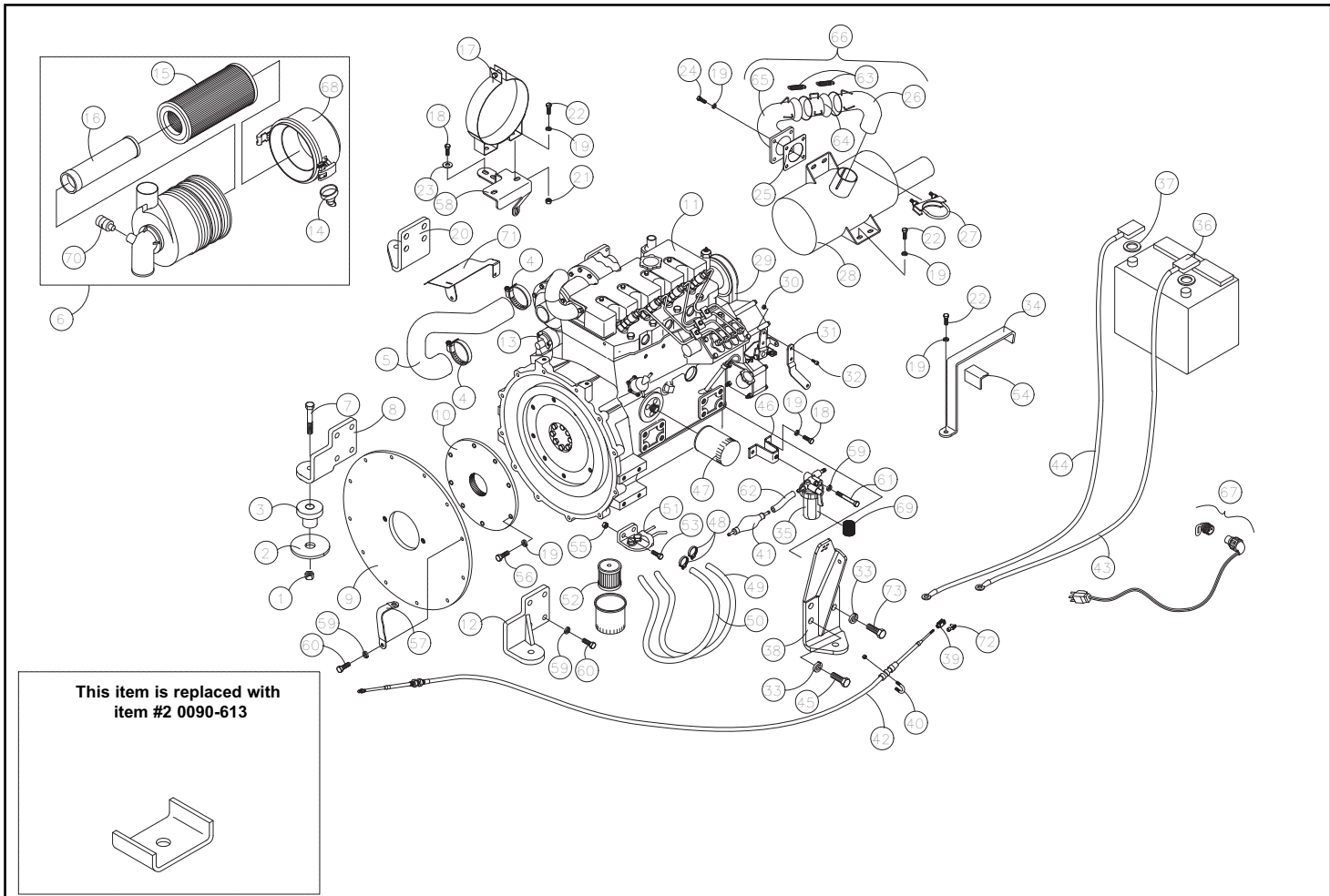
# ENGINE ASSEMBLY

RT- 60 1 spd. valid from - 04077

Section 10

REF. NO.	PART NUMBER	QTY.	DESCRIPTION
1	8040-726	4	NUT,HEX,NYLOCK,5/8-11 UNC,ZN
2	0090-613	4	WASHER, 2.5" OD X .64" ID X .179
3	2011-082	4	ISOLATOR, ENGINE, 45 DURO
4	0303-238	2	CLAMP,HOSE
5	0200-495	1	HOSE,INTAKE,3024cT
6	0200-157	1	ASSY,CLEANER,AIR
7	8102-598	4	CAPSCREW,HH,5/8-11UNCx3.25,GD8
8	0200-165	1	WLMT,MNT,ENGINE,RH
9	0304-900	1	MNT,PLATE,PUMP
10	0304-507	1	PLATE,FLYWHEEL
11	2031-051	1	ENGINE PERKINS SERVICE REPLACEMENT
12	0200-166	1	WLMT,MNT,ENGINE,LH
13	0200-562	1	STARTER (PERKINS #185086600)
14	0304-503	1	VALVE,DUST
15	0200-339	1	FILTER,AIR,PRIMARY
16	0200-340	1	FILTER,AIR,SECONDARY
17	0200-158	1	BAND,MNT,AIR CLEANER
18	0200-329	5	CAPSCREW,HH,M8x1.25x16MM
19	8051-242	17	WASHER,SPRING LOCK,5/16,ZN
20	2030-883	1	MNT,ENGINE,REAR,RH
21	8040-426	2	NUT,HEX,NYLOCK,5/16-18 UNC,ZN
22	8102-130	7	CAPSCREW,HH 5/16-18x3/4,GR8
23	8050-247	2	WASHER,WROUGHT,5/16,SAE,ZN
24	0300-211	4	CAPSCREW,M8 x 1.25 x 25MM LG
25	0304-511	1	GASKET,MUFFLER
26	2030-149	1	PIPE,EXHAUST,MUFFLER END
27	0300-263	1	CLAMP,MUFFLER,2"
28	0200-122	1	MUFFLER RT60
29	2030-632	1	BELT FAN
30	8040-246	2	NUT,HEX,NYLOCK,10-24 UNC,ZN
31	0304-078	1	LEVER,THROTTLE
32	8105-429	2	CAPSCREW,SOC HD,10-24X5/8,BLZN
33	0304-839	8	WASHER,SPRING LOCK,14MM
34	0200-691	1	STRAP,HOLD-DOWN,BATTERY
35	0200-338	1	ASSY,FILTER,WATER
36	2051-439	1	BATTERY,50 SERIES
37	0301-083	2	PROTECTOR,POST,BATTERY
38	2030-433	1	WLMT,MNT,ENGINE,LH,REAR
39	0403-641	2	CLEVIS (THROTTLE CABLE)
40	0300-581	1	WINUTS,U-BOLT,1/4-20

REF. NO.	PART NUMBER	QTY.	DESCRIPTION
41	0304-835	1	BULB,PRIMER
42	0300-455	1	CABLE,THROTTLE
43	4046-090	1	CABLE BATTERY GROUND
44	2030-588	1	CABLE,BATTERY,POSITIVE
45	0304-131	8	CAPSCREW,HH, M14-1.5 X30MM,GD8
46	0200-178	1	WLMT,BRKT,MNT,FILTER
47	0200-377	1	FILTER,OIL,ENGINE (PERKINS #140517050)
48	0300-732	4	CLAMP,HOSE,#4
49	0304-509	1	HOSE,FUEL,5/16x26"
50	0304-510	1	HOSE,FUEL,5/16x34"
51	0200-215	1	ASSY,FILTER,FUEL,PERKINS,404C22
52	0200-213	1	FILTER,FUEL,PERKINS,404C22
53	8102-220	2	CAPSCREW,HH,3/8-16x0.75",GD8
54	0310-501	1	GUARD,BATTERY
55	8040-486	2	NUT,HEX,NYLOCK,3/8-16 UNC,ZN
56	8102-132	8	CAPSCREW,HH,5/16-18UNCx1.0 GD8
57	0300-546	1	CABLE,GROUND,ENGINE
58	0200-159	1	BRKT,MNT,AIR CLEANER
59	8051-272	21	WASHER,SPRING LOCK,3/8,ZN
60	8102-222	20	CAPSCREW,HH,3/8-16 UNCx1.0,GD8
61	8102-138	1	CAPSCREW,HH,5/16-18 X 2.25 GD8
62	2055-190	1	HOSE,5/16,6"
63	0200-335	6	SPRING,TAIPIPE
64	0200-333	1	TAILPIPE,CENTER
65	2030-148	1	PIPE,EXHAUST,FLANGE END
66	2030-100	1	ASSY,PIPE,EXHAUST,3024cT
67	0304-549	1	HEATER,BLOCK
68	0200-560	1	CAP,AIR CLEANER
69	0200-617	1	SCREEN,FILTER,WATER
70	0200-313	1	INDICATOR,AIRCLEANER
71	2030-279	1	GUARD,RAIN, STARTER
72	0403-642	2	PIN CLIP
73	0090-561	1	CAPSCREW M14-1.5 X 25MM DIN 961 CLASS

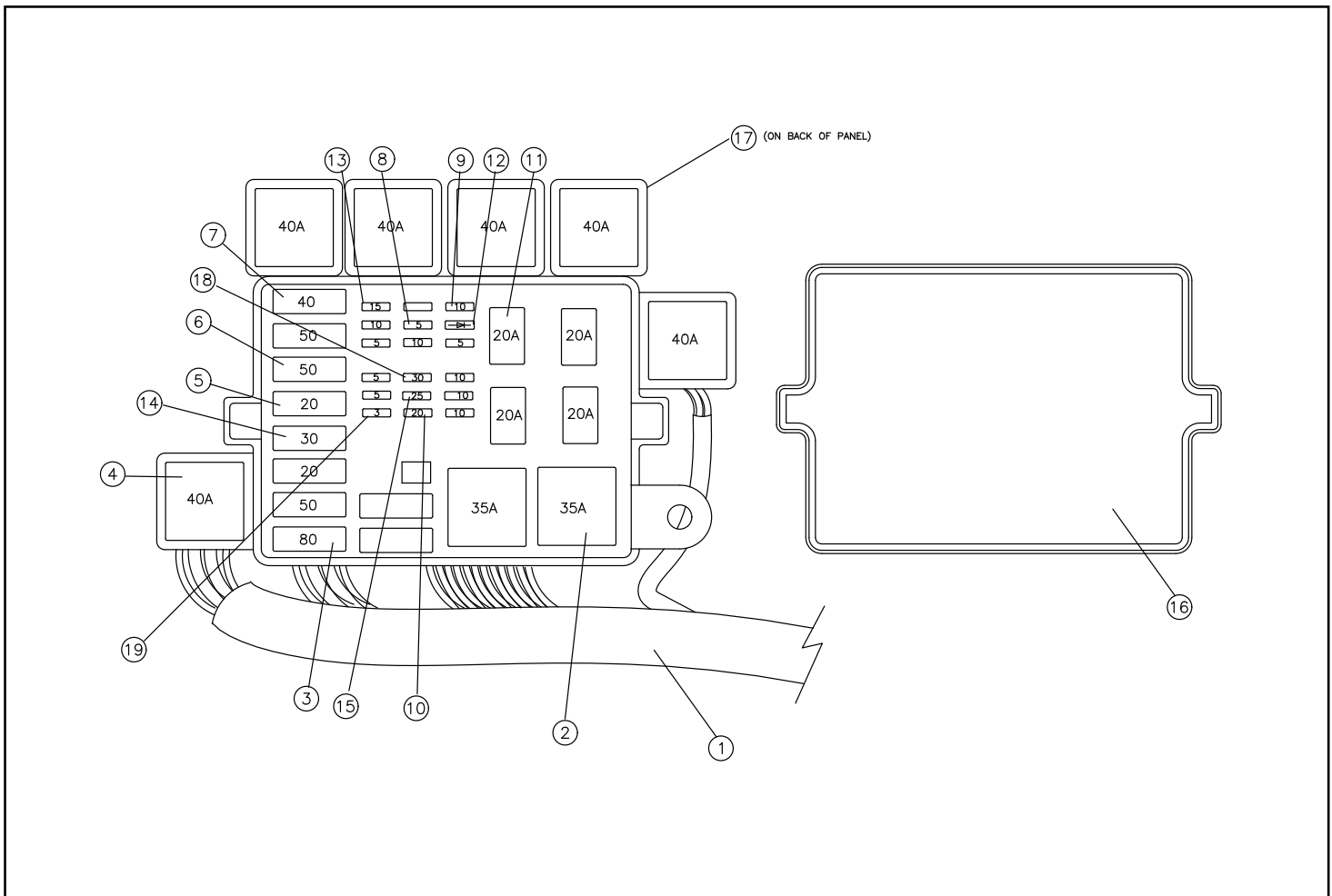


# FUSE PANEL ASSEMBLY

RT- 60 1 spd. valid from - 04077

Section 11

REF. NO.	PART NUMBER	QTY.	DESCRIPTION	REF. NO.	PART NUMBER	QTY.	DESCRIPTION
1	-----	1	HARNES MAIN --SEE HARNESSES ON PAGE IV				
2	0310-807	2	RELAY,MINI, 35 AMP				
3	0310-805	1	FUSE,MAXI, 80 AMP				
4	0304-519	6	RELAY,PLUG,GLOW				
5	0310-800	1	FUSE,MAXI,20 AMP				
6	0310-803	2	FUSE,MAXI, 50 AMP				
7	0310-802	2	FUSE,MAXI, 40 AMP				
8	0310-794	5	FUSE,MINI, 5 AMP				
9	0310-795	6	FUSE,MINI,10 AMP				
10	0310-797	2	FUSE,MINI,20 AMP				
11	0310-806	4	RELAY,MICRO, 20 AMP				
12	0310-811	1	DIODE, 3 AMP				
13	0310-796	1	FUSE,MINI,15 AMP				
14	0310-801	1	FUSE,MAXI, 30 AMP				
15	0310-798	1	FUSE,MINI,25 AMP				
16	2030-196	1	COVER,PANEL,FUSE,W/DECALS,RC60				
17	0200-510	1	RESISTOR,330HM/3WATT,OHMITE43F				
18	0310-799	1	FUSE,MINI, 30 AMP				
19	0310-793	1	FUSE,MINI,2 AMP				

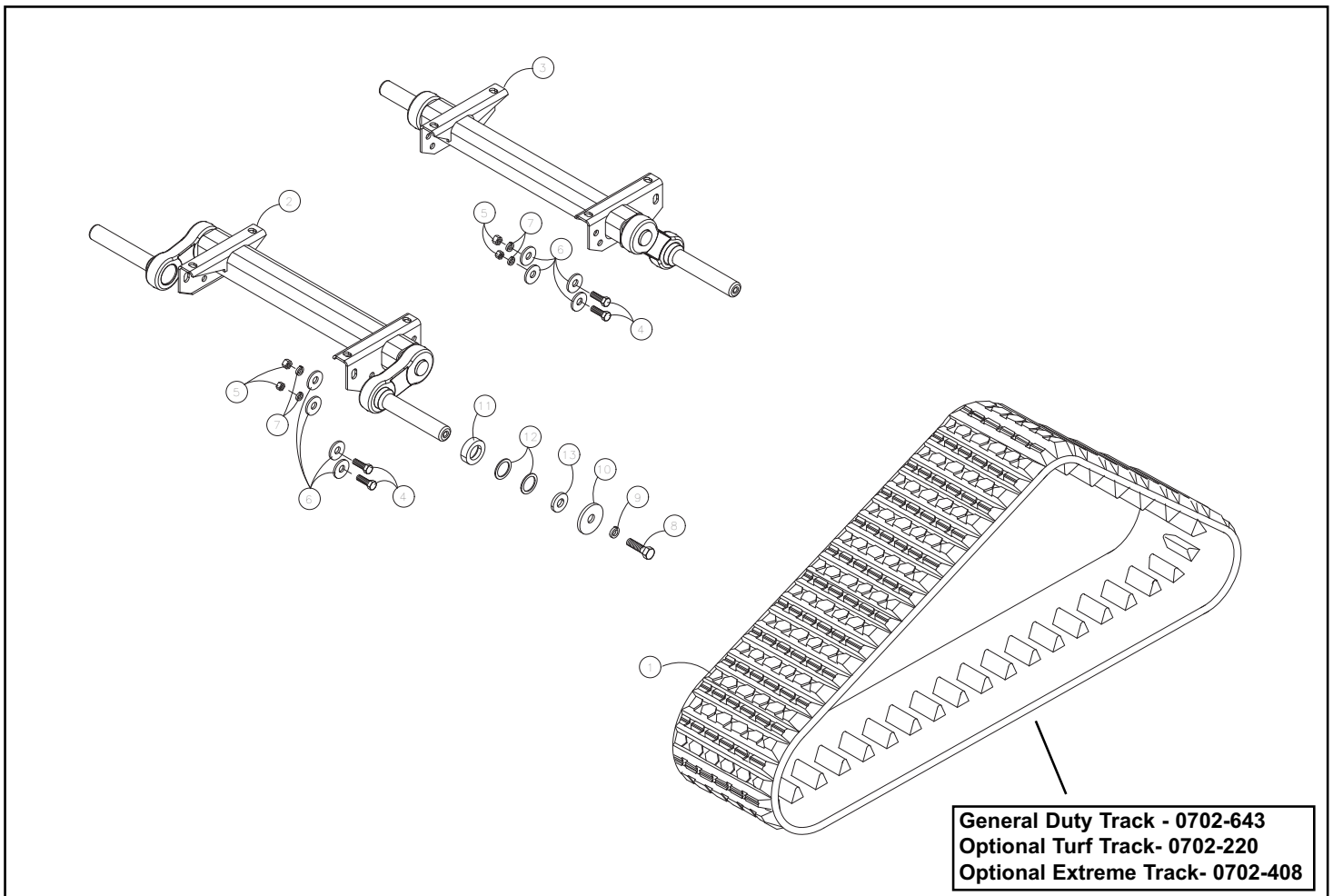


# TORSION AXLE ASSEMBLY

RT- 60 1 spd. valid from - 04077

Section 12

REF. NO.	PART NUMBER	QTY.	DESCRIPTION	REF. NO.	PART NUMBER	QTY.	DESCRIPTION
1	0702-441	2	TRACK,15 x 165.9				
2	2030-845	1	AXLE TORSION FRONT				
3	2030-647	1	AXLE TORSION REAR				
4	8102-586	16	CAPSCREW,HH,5/8-11X1.75ZN,GD8				
5	8040-726	16	NUT,HEX,NYLOCK,5/8-11 UNC,ZN				
6	8050-408	32	WASHER,FLAT,5/8,THICK				
7	8051-431	16	WASHER,SPRING LOCK,5/8,ZN				
8	0200-341	4	CAPSCREW,HH,3/4-16x2.25,GD8				
9	8051-440	4	WASHER,SPRING LOCK,3/4,ZN				
10	0200-287	4	WASHER,1/2"THICK				
11	0702-503	4	TUBE SPACER				
12	2035-249	8	SPACER 1.874X2.500X.125				
13	2030-738	4	WASHER 1.5 x .625 x .25				

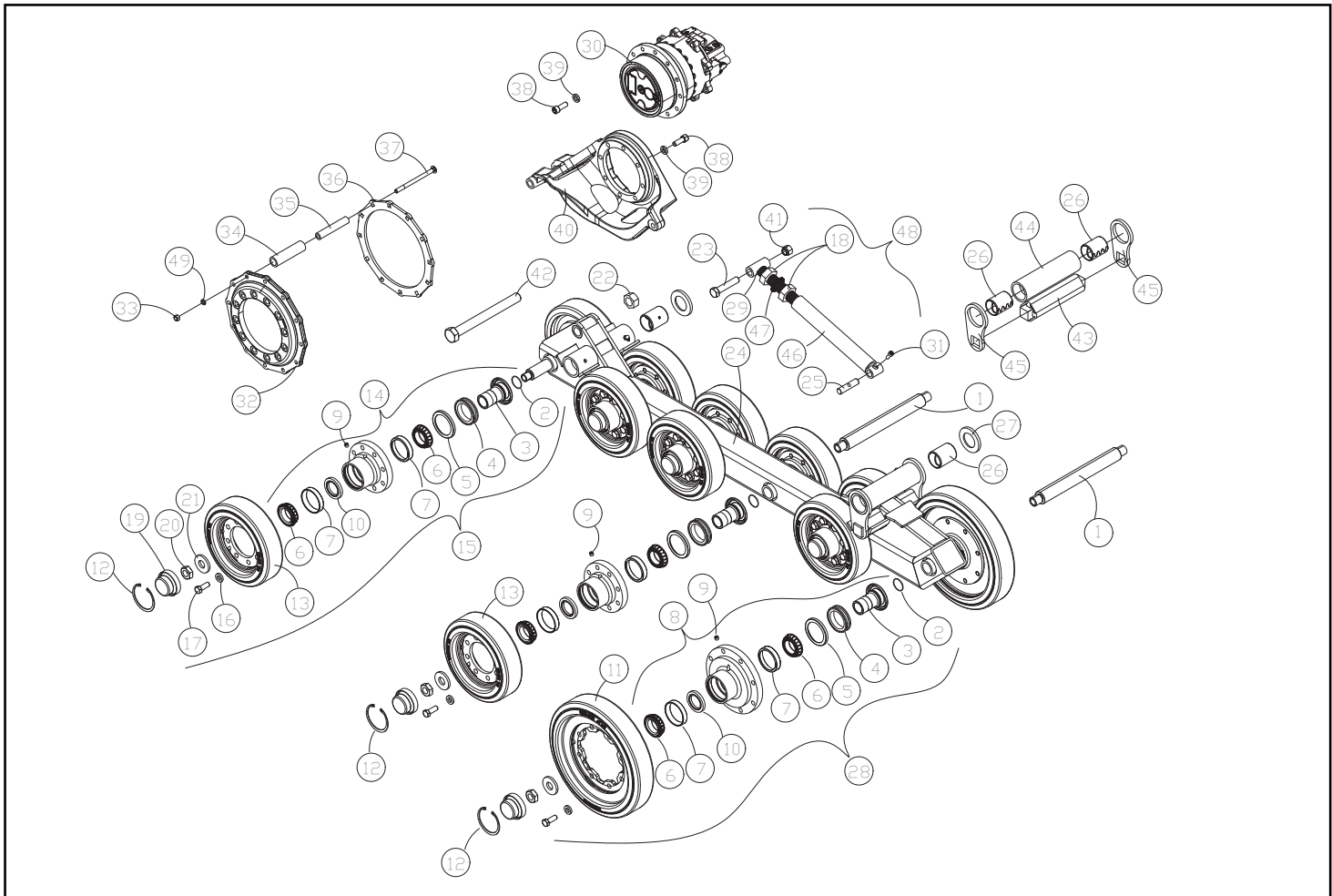


# UNDERCARRIAGE ASSEMBLY RT

RT- 60 1 spd. valid from - 04077

Section 13

REF. NO.	PART NUMBER	QTY.	DESCRIPTION	REF. NO.	PART NUMBER	QTY.	DESCRIPTION
1	0702-388	6	WLMT AXLE WHEEL	41	8040-786	1	NUT,HEX,NYLOCK,3/4-10 UNC,ZN
2	2035-596	12	O-RING 1/16 x 1.375 x 1.5 NITRILE, -.028	42	8102-890	1	CAPSCREW,HH,1.0 x 8UNC x 10.0,
3	0702-367	12	WLMT RETAINER 53MM	43	0702-413	1	AXLE SWING JOINT
4	2035-438	12	ASSY, SEAL, 53 MM	44	0702-410	1	TUBE MNT AXLE
5	2035-391	12	RETAINER INNER 53MM	45	0702-483	2	PLATE TORSION
6	0702-509	24	BEARING CONE	46	0702-473	1	WLMT TENSIONER TUBE
7	0702-508	24	BEARING CUP	47	0090-262	1	WASHER SAFETY S33-1.25"
8	0702-569	2	ASSY HUB 14" 8 BOLT	48	0702-521	1	ASSY TENSIONER
9	2035-479	12	PLUG 1/8" NPT HEX CS	49	2035-597	24	WASHER WROUGHT .531 x .886 x 0118 HARD ZN
10	0702-368	12	SEAL LIP				
11	0702-264	2	WHEEL 14" W/PLATE				
12	0702-371	12	SNAP RING .093 x .3.25				
13	2035-644	10	WHEEL 10" ALPHA BOLT ON				
14	0702-560	10	ASSY HUB 10" 8 BOLT				
15	0702-605	10	ASSEMBLY HUB 10" / WHEEL (EXCLUDES: 12,19,20,21)				
16	0090-136	96	WASHER HARD 1.0 X .531 X .197				
17	2035-659	96	CAPSCREW HH 1/2-13 x 1.375 GR8				
18	0090-317	2	NUT HEX 1.25-7 UNC JAM ZINC				
19	0702-644	12	CAP, HUB				
20	2035-595	12	NUT HEX JAM LOCKING 7/8-9 UNC				
21	0702-364	12	WASHER HARD .25 x 2.125 x .935				
22	8043-806	1	NUT,HEX,1-8 UNC,STEEL LOCK,ZN				
23	0304-408	1	CAPSCREW,HH,3/4-10UNC3.75,GD8				
24	0702-551	1	WLMT RAIL ALPHA BOLT-ON				
25	2035-308	1	PIN,TENSIONER,THREADED				
26	2035-214	4	BUSHING,SPRING,1.75x2.00x2.50				
27	0702-503	2	SPACER,AXLE				
28	0702-615	2	ASSEMBLY HUB 14" W/RUBBER WHEEL				
29	0702-506	1	WLMT TENSIONER THREADED				
30	0702-586	1	MOTOR HYD BONFIG SAUER				
31	2035-471	1	CAPSCREW SOC HD 3/8-16 x 1				
32	0702-588	1	SPROCKET .625" OFFSET				
33	0700-124	12	NUT,TOPLock,1/2-13UNC,ZN,GD8				
34	0702-451	12	TUBE,COVER				
35	0702-450	12	TUBE,INNER				
36	2035-120	1	RING,SPROCKET,BONFIG				
37	2035-617	12	BOLT CARRIAGE 1/2-13 UNC x 7.5" GR88				
38	2035-197	20	CAPSCREW,SOC HD,M16X2.0,45MM				
39	0700-287	20	WASHER,16mmX30mmX5mm				
40	0702-338	1	TABLE RH ALPHA T3 MACHINED				

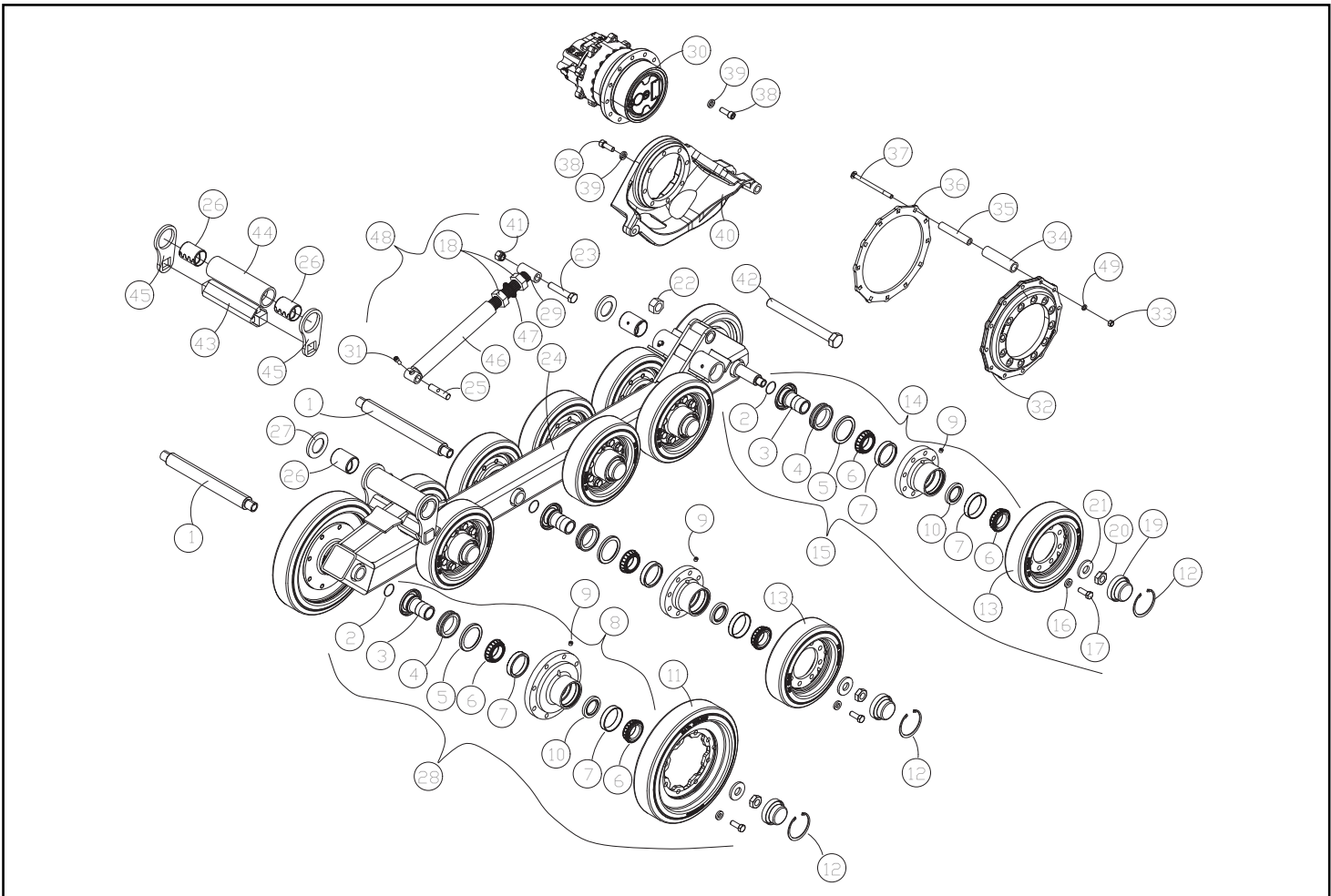


# UNDERCARRIAGE ASSEMBLY LT

RT- 60 1 spd. valid from - 04077

Section 14

REF. NO.	PART NUMBER	QTY.	DESCRIPTION	REF. NO.	PART NUMBER	QTY.	DESCRIPTION
1	0702-388	6	WLMT AXLE WHEEL	41	8040-786	1	NUT,HEX,NYLOCK,3/4-10 UNC,ZN
2	2035-596	12	O-RING 1/16 x 1.375 x 1.5 NITRILE, -028	42	8102-890	1	CAPSCREW,HH,1.0 x 8UNC x 10.0,
3	0702-367	12	WLMT RETAINER 53MM	43	0702-413	1	AXLE SWING JOINT
4	2035-438	12	ASSY, SEAL, 53 MM	44	0702-410	1	TUBE MNT AXLE
5	2035-391	12	RETAINER INNER 53MM	45	0702-483	2	PLATE TORSION
6	0702-509	24	BEARING CONE	46	0702-473	1	WLMT TENSIONER TUBE
7	0702-508	24	BEARING CUP	47	0090-262	1	WASHER SAFETY S33-1.25"
8	0702-569	2	ASSY HUB 14" 8 BOLT	48	0702-521	1	ASSY TENSIONER
9	2035-479	12	PLUG 1/8" NPT HEX CS	49	2035-597	24	WASHER WROUGHT .531 x .886 x 0118 HARD ZN
10	0702-368	12	SEAL LIP				
11	0702-264	2	WHEEL 14" W/PLATE				
12	0702-371	2	SNAP RING .093 x .3.25				
13	2035-644	10	WHEEL 10" ALPHA BOLT ON				
14	0702-560	10	ASSY HUB 10" 8 BOLT				
15	0702-605	10	ASSEMBLY HUB 10" / WHEEL (EXCLUDES: 12,19,20,21)				
16	0090-136	96	WASHER HARD 1.0 X .531 X .197				
17	2035-659	96	CAPSCREW HH 1/2-13 x 1.375 GR8				
18	0090-317	2	NUT HEX 1.25-7 UNC JAM ZINC				
19	0702-644	12	CAP, HUB				
20	2035-595	12	NUT HEX JAM LOCKING 7/8-9 UNC				
21	0702-364	12	WASHER HARD .25 x 2.125 x .935				
22	8043-806	1	NUT,HEX,1-8 UNC,STEEL LOCK,ZN				
23	0304-408	1	CAPSCREW,HH,3/4-10UNC3.75,GD8				
24	0702-551	1	WLMT RAIL ALPHA BOLT-ON				
25	2035-308	1	PIN,TENSIONER,THREADED				
26	2035-214	4	BUSHING,SPRING,1.75x2.00x2.50				
27	0702-503	2	SPACER,AXLE				
28	0702-615	2	ASSEMBLY HUB 14" W/RUBBER WHEEL				
29	0702-506	1	WLMT TENSIONER THREADED				
30	0702-586	1	MOTOR HYD BONFIG SAUER				
31	2035-471	1	CAPSCREW SOC HD 3/8-16 x 1				
32	0702-588	1	SPROCKET .625" OFFSET				
33	0700-124	12	NUT,TOPLock,1/2-13UNC,ZN,GD8				
34	0702-451	12	TUBE,COVER				
35	0702-450	12	TUBE,INNER				
36	2035-120	1	RING,SPROCKET,BONFIG				
37	2035-617	12	BOLT CARRIAGE 1/2-13 UNC x 7.5" GR88				
38	2035-197	20	CAPSCREW,SOC HD,M16X2.0,45MM				
39	0700-287	20	WASHER,16mmX30mmX5mm				
40	0702-340	1	TABLE LH ALPHA T3 MACHINED				

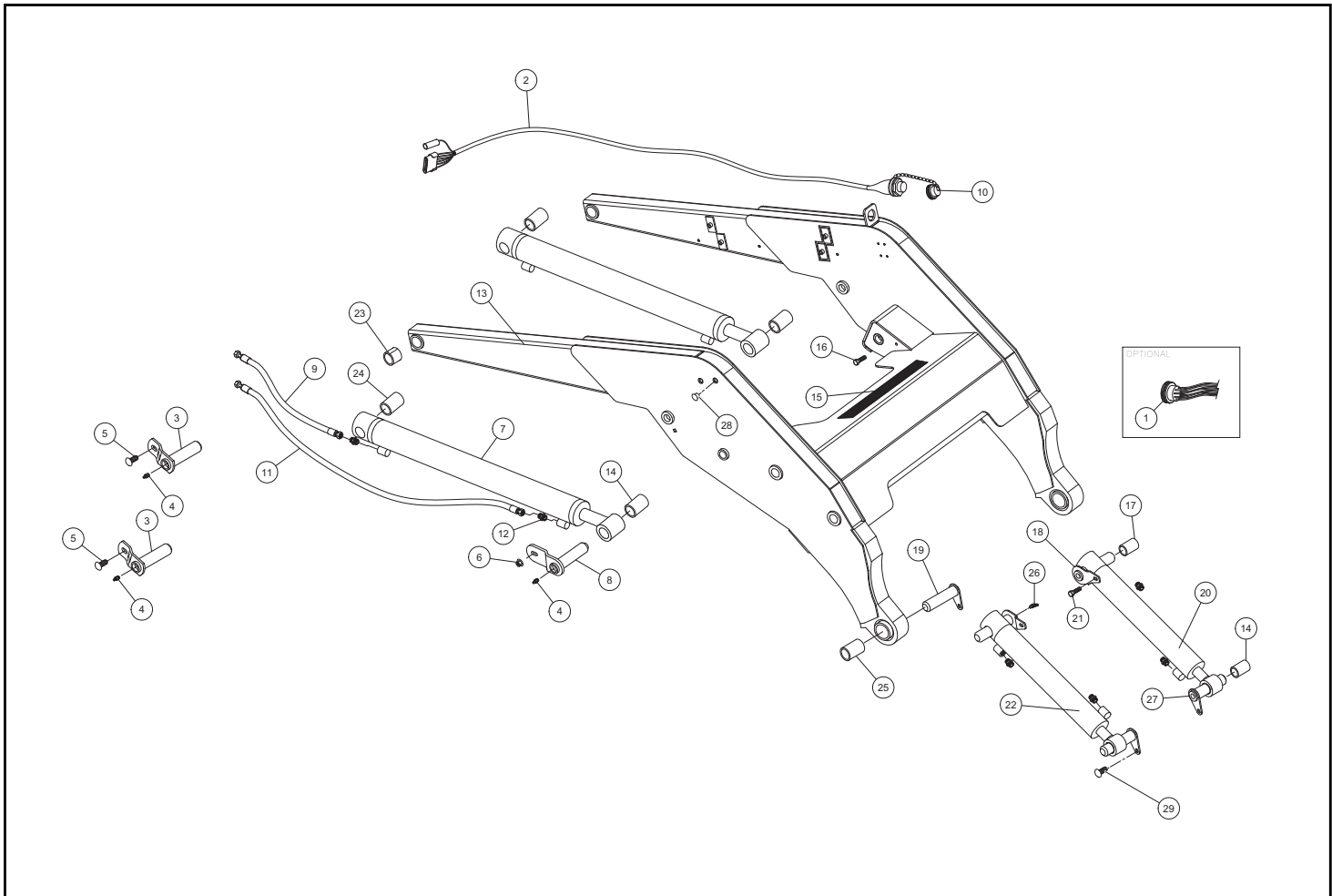


# LIFT ARM ASSEMBLY

RT- 60 1 spd. valid from - 04077

Section 15

REF. NO.	PART NUMBER	QTY.	DESCRIPTION	REF. NO.	PART NUMBER	QTY.	DESCRIPTION
1	0201-771	1	HARNES,ELEC,AUX,RC100/85/60				
2	2010-689	1	HARNES AUX PWR ACT				
3	2030-562	4	WLMT PIN 1.5 X 4.51				
4	0300-607	10	ZERK,GREASE,1/4-28				
5	8011-222	4	BOLT,CARRIAGE,3/8-16 UNCx1.0,Z				
6	0314-269	6	NUT,FLANGE,TOPLK,3/8-16UNC,GD8				
7	2030-824	2	CYLINDER BOOM				
8	2030-546	2	WLMT PIN BOOM				
9	2030-069	2	HOSE,10M4K,10FFORX,10FFORX,28.				
10	0201-770	1	CAP,W/CHAIN				
11	2030-070	2	HOSE,10M4K,10FFORX,10FFORX,50.				
12	0310-345	8	ADAPTER,8MFFOR-8MB				
13	2030-535	1	WLMT LOADER PT50/60				
14	0003-053	4	BUSHING Ø1.50IDx2.00				
15	0304-496	1	PAD,SKID				
16	8102-220	2	CAPSCREW,HH,3/8-16x0.75",GD8				
17	2030-654	2	BUSHING Ø1.50IDx2.50				
18	2030-550	2	WLMT PIN 1.5" x 5.375"				
19	2040-115	2	WLMT PIN 6.00"				
20	2030-803	1	CYLINDER BUCKET TILT LH				
21	8102-222	4	CAPSCREW,HH,3/8-16 UNCx1.0,GD8				
22	2030-804	1	CYLINDER BUCKET TILT RH				
23	2030-573	4	BUSHING CONNEX 1.5ID X 1.75OD x 1 7/16L				
24	2030-655	2	BUSHING Ø1.50IDx3.00				
25	2030-580	4	BUSHING SPRING 1.5" ID x 2" OD				
26	0090-382	2	ZERK 1/4-28 45 DEGREE LONG				
27	2040-325	2	WLMT, PIN, QA TILT,6.00				
28	0090-562	4	PLUG				
29	8111-224	2	BOLT,CARRIAGE,3/8-16UNCx1.25,GD8				

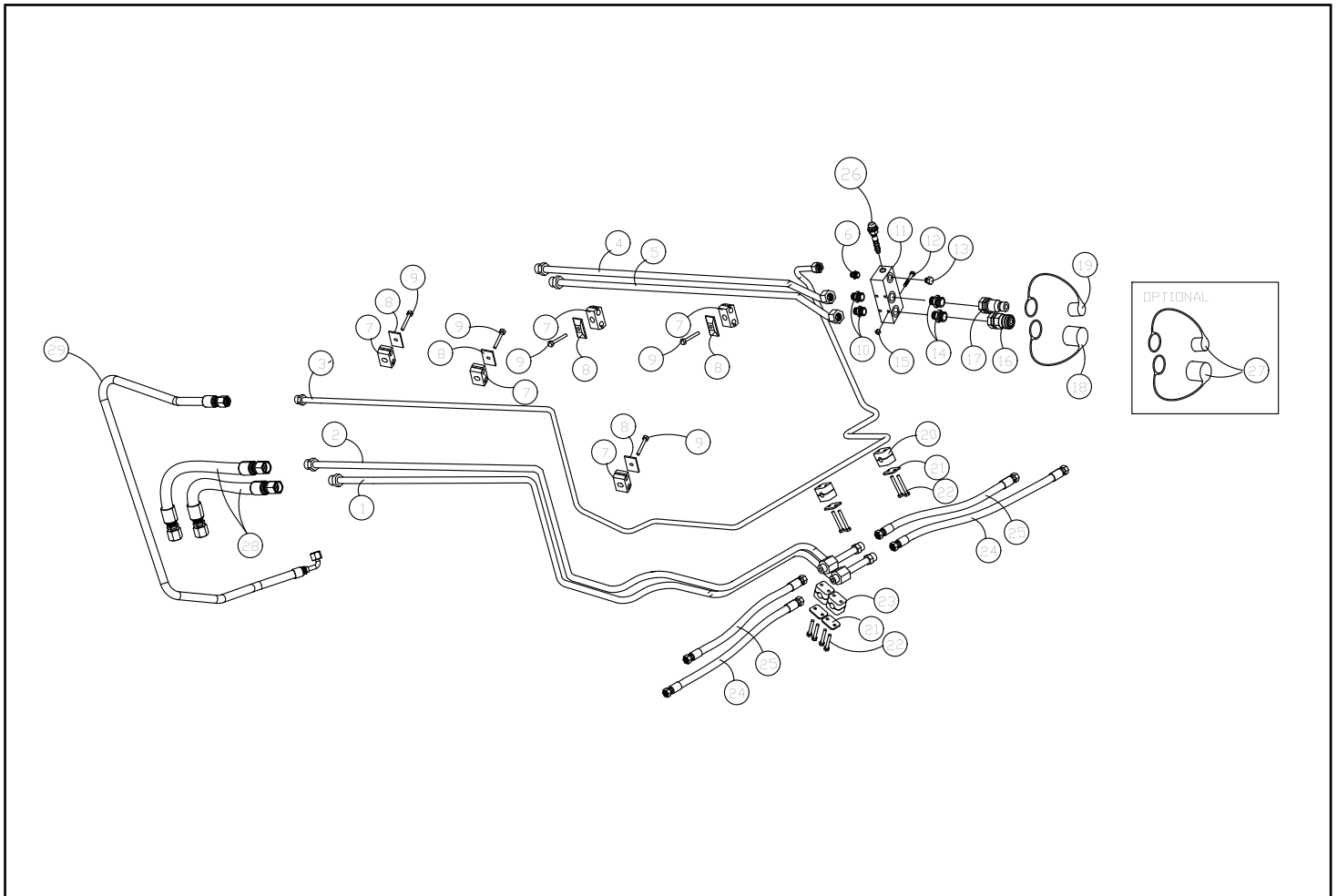


# LIFT ARM TUBES AND FITTINGS

RT- 60 1 spd. valid from - 04077

Section 16

REF. NO.	PART NUMBER	QTY.	DESCRIPTION	REF. NO.	PART NUMBER	QTY.	DESCRIPTION
1	2030-010	1	TUBE,BUCKET,LOWER				
2	2030-009	1	TUBE,BUCKET,UPPER				
3	2030-008	1	TUBE,CASE DRAIN,QD				
4	2030-001	1	TUBE,AUX,UPPER,QD				
5	2030-002	1	TUBE,AUX,LOWER,QD				
6	0310-567	1	ADAPTER,8MFFOR-6MB				
7	0310-831	4	CLAMP, SET, T2062-PP				
8	0310-584	9	PLATE,COVER TCP-T2				
9	8102-134	9	CAPSCREW,HH,5/16-18UNCx1.25GD8				
10	0201-658	2	ADAPTER,10MFFOR-8MB-S				
11	0304-876	1	MANIFOLD,AUX,HYD				
12	8102-050	4	CAPSCREW,HH,1/4-20,UNC,2.75ZN,				
13	0304-188	1	PLUG,6 ORING,HH				
14	0200-296	2	ADAPTER,O-RING HEX NIPPLE,10-8				
15	8040-366	4	NUT,HEX,NYLOCK,1/4-20 UNC,ZN				
16	0310-076	1	COUPLER,QUICK,FF,FEMALE,7/8-14				
17	0310-077	1	COUPLER,QUICK,FF,MALE,7/8-14UN				
18	0310-241	1	COVER,DUST,1/2,F				
19	0310-240	1	COVER,DUST,1/2,M				
20	0201-402	5	CLAMP,SET,2050-PP				
21	0201-224	7	COVER,CLAMP,COP-2				
22	8102-044	14	CAPSCREW,HH,1/4-20UNCx1.25,GD8				
23	0201-223	2	CLAMP,SET,2062-PP				
24	0201-488	2	HOSE,8M4K,23.50"				
25	0201-489	2	HOSE,8M4K,17.50"				
26	0201-838	1	SPOOL,VALVE,QD BLOCK				
27	0402-886	1	KIT,DUST,COVER,RC60/50				
28	2030-070	2	HOSE,10M4K,10FFORX,10FFORX,50				
29	2030-137	1	HOSE,6M4K,6G6FFORX90S,6G8FFORX				



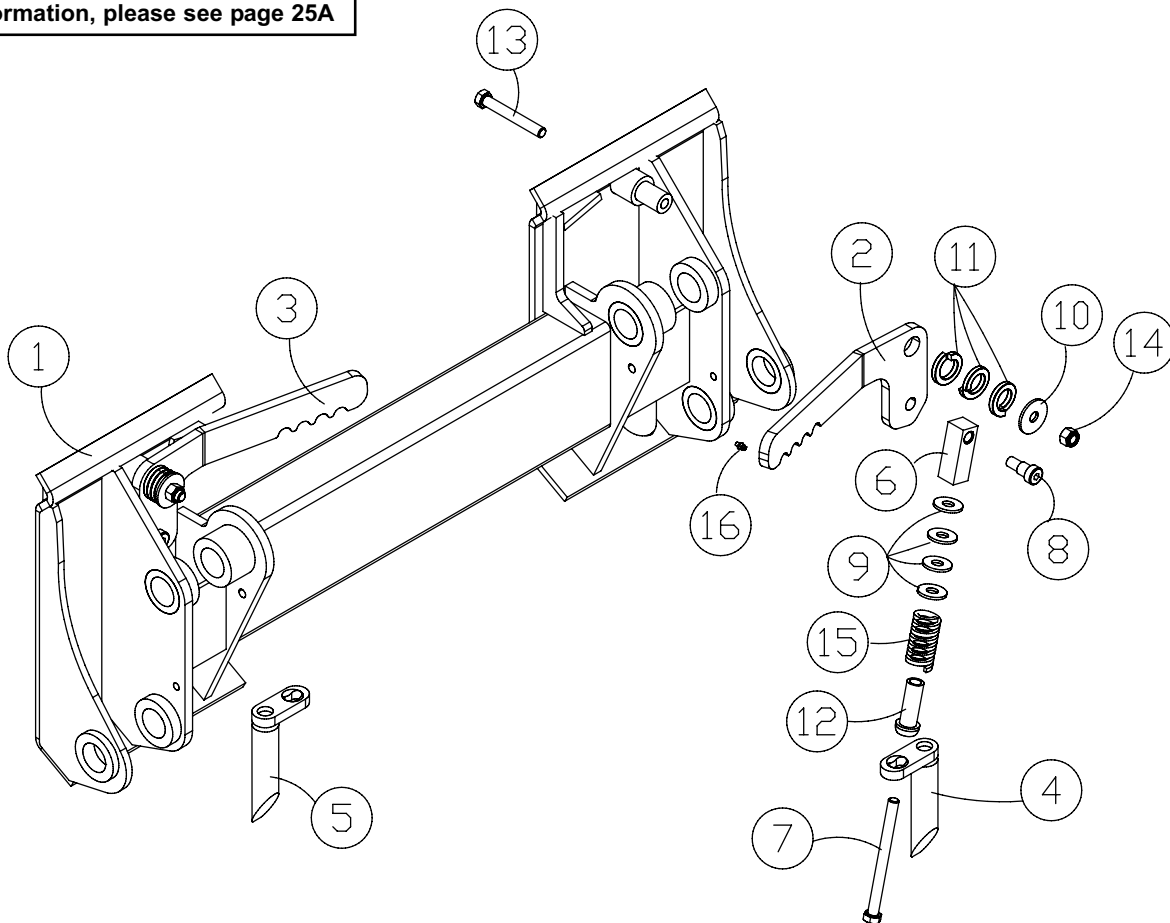
# QUICK ATTACH ASSEMBLY

RT- 60 1 spd. valid from - 04077

Section 17

REF. NO.	PART NUMBER	QTY.	DESCRIPTION	REF. NO.	PART NUMBER	QTY.	DESCRIPTION
1	2045-359	1	WLMT,QUICK-ATTACH,MANUAL				
2	2045-761	1	HANDLE,QA,LH				
3	2045-762	1	HANDLE,QA,RH				
4	2046-405	1	WLMT PIN RH				
5	2046-406	1	WLMT PIN LH				
6	2045-245	2	BLOCK LATCH				
7	8102-418	2	CAPSCREW,HH,1/2-13UNCx 6.0,GD8				
8	0090-002	2	BOLT,SHOULDER,5/8"x.625" GD 8				
9	8050-347	8	WASHER,WROUGHT,1/2,STD,ZN				
10	2015-018	2	WASHER,FENDER,1.75x0.53x0.125				
11	8051-620	6	WASHER,SPRING LOCK,1.0,ZN				
12	0400-621	2	SPOOL,PIVOT				
13	0304-799	2	CAPSCREW,HH,1/2-13UNCx3.75,GD8				
14	8040-606	2	NUT,HEX,NYLOCK,1/2-13 UNC,ZN				
15	0400-651	2	SPRING,COMPRESSION				
16	0300-607	2	ZERK,GREASE,1/4-28				

For kit information, please see page 25A

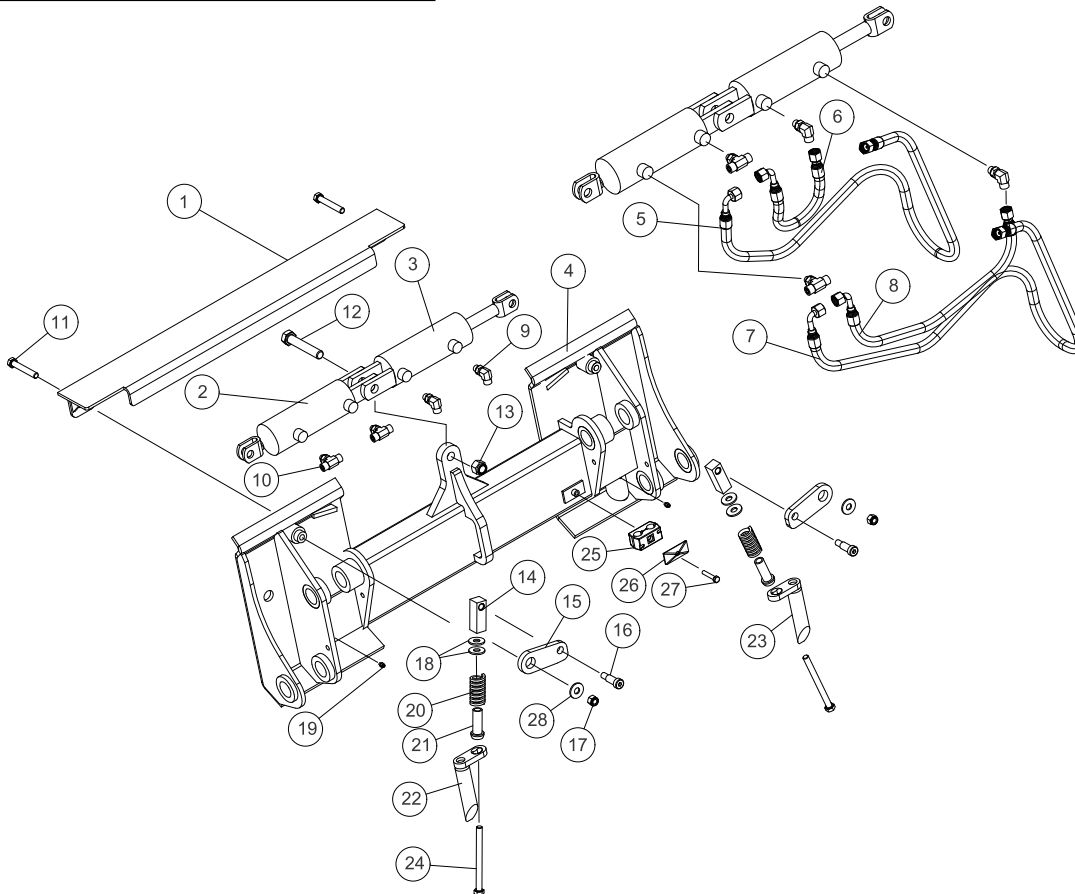


# HYDRAULIC QUICK ATTACH ASSEMBLY (OPTIONAL) RT- 60 1 spd. valid from - 04077

Section 18

REF. NO.	PART NUMBER	QTY.	DESCRIPTION	REF. NO.	PART NUMBER	QTY.	DESCRIPTION
1	7006-488	1	WLMT, GUARD, QA				
2	2046-316	1	CYLINDER QA LH				
3	2046-317	1	CYLINDER QA RH				
4	2045-235	1	WLMT QUICK-ATTACH HYD				
5	0201-566	1	HOSE, 6M4K-6FFORX90S-6FFORX-49.				
6	0201-545	1	HOSE, 6M4K-6FFORX-6FFORX90S-14.				
7	0201-565	1	HOSE, 6M4K-6FFORX90S-6FFORX-53.				
8	0201-544	1	HOSE, 6M4K-6FFORX-6FFORX90S-25.				
9	0310-328	2	ADAPTER, 6MFFOR-6MB-90				
10	0201-542	2	ADAPTER, TEE, 6FS-6FS-6NWO				
11	8102-412	2	CAPSCREW, HH 1/2-13UNCx3.25 GD8				
12	8102-686	1	CAPSCREW, HH, 3/4-10UNCx4.25 GD8				
13	8040-786	1	NUT, HEX, NYLOCK, 3/4-10 UNC, ZN				
14	2045-245	2	BLOCK LATCH				
15	2045-246	2	LATCH QA				
16	0090-001	2	BOLT, SHOULDER, 5/8"x1.25" GD 8				
17	8040-606	2	NUT, HEX, NYLOCK, 1/2-13 UNC, ZN				
18	8050-347	4	WASHER, WROUGHT, 1/2, STD, ZN				
19	0300-607	2	ZERK, GREASE, 1/4-28				
20	0400-651	2	SPRING, COMPRESSION PLATED				
21	0400-621	2	SPOOL, PIVOT				
22	2046-406	1	WLMT PIN LH				
23	2046-405	1	WLMT PIN RH				
24	8102-418	2	CAPSCREW, HH, 1/2-13UNCx 6.0, GD8				
25	0310-733	1	INSERT, CLAMP, TWIN, 75" T3075-PP				
26	0310-828	1	COVER, CLAMP, 3/4" TCP-T3				
27	8102-136	1	CAPSCREW, HH, 5/16-18x1.75 ZN GD				
28	8050-348	2	WASHER, 1/2, SAE, ZN 1.06 OD x .531 ID x .090				

For kit information, please see page 25A

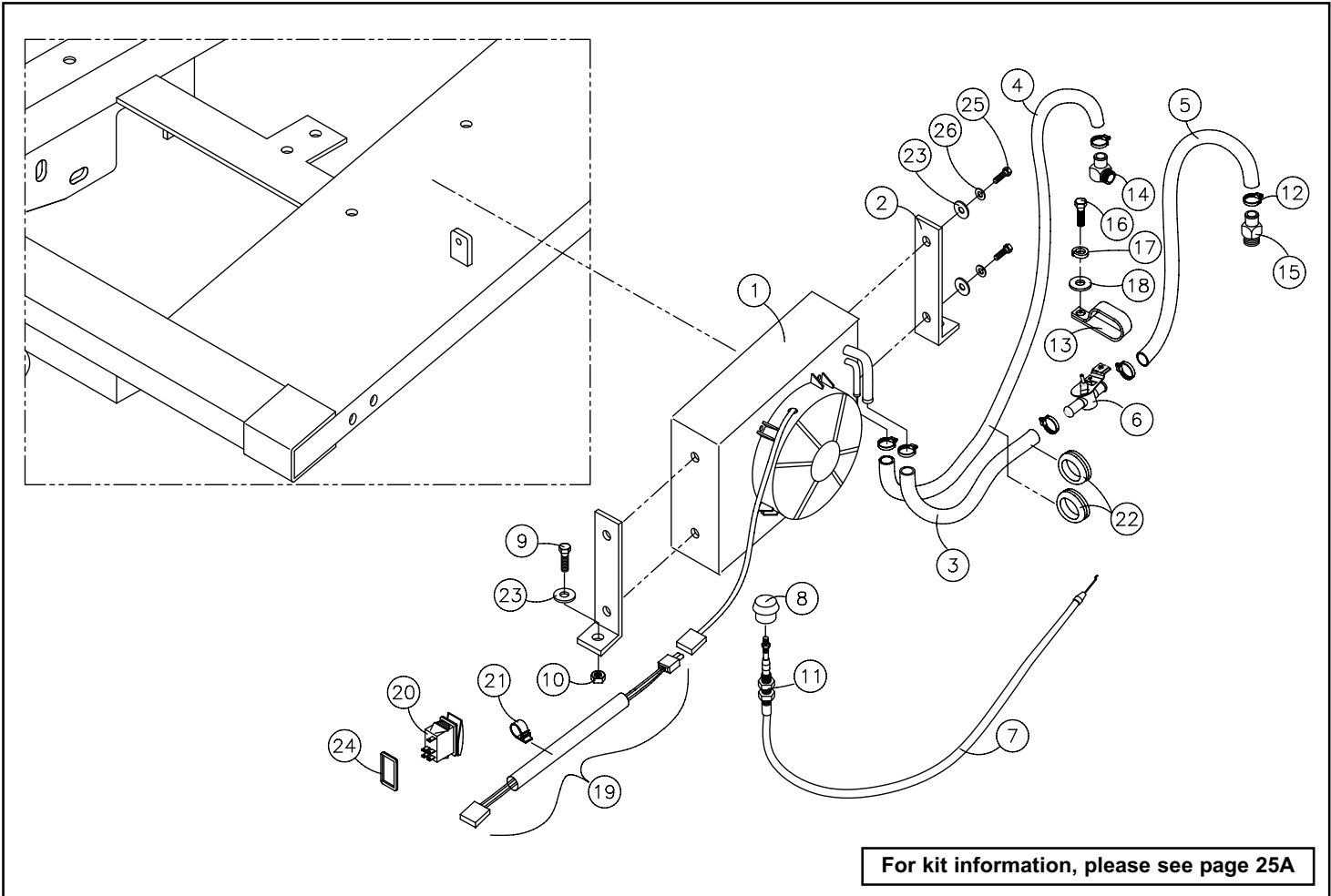


# CAB HEATER ASSEMBLY

RT- 60 1 spd. valid from - 04077

Section 19

REF. NO.	PART NUMBER	QTY.	DESCRIPTION	REF. NO.	PART NUMBER	QTY.	DESCRIPTION
1	0304-546	1	HEATER,CAB, RC-30				
2	0304-548	2	MNT,HEATER				
3	0305-214	1	HOSE,HEATER,5/8 x 33"				
4	0304-553	1	HOSE,HEATER,5/8,72"				
5	0304-554	1	HOSE,HEATER,5/8,38"				
6	0301-558	1	VALVE,FLOW,HEATER				
7	0404-329	1	CABLE,PUSH-PULL,HEATER				
8	0301-514	1	KNOB,SWITCH,HEATER				
9	8102-038	2	CAPSCREW,HH 1/4-20UNCx7/8 GRD8				
10	8040-366	2	NUT,HEX,NYLOCK,1/4-20 UNC,ZN				
11	0301-654	1	NUT,JAM,3/8-24 UNF				
12	0301-110	6	CLAMP,HOSE,#8				
13	0310-838	1	CLAMP,TUBE,DOUBLE,1.0				
14	0304-670	1	ADAPTER,5/8BARB-3/8MPT-90^				
15	0304-570	1	ADAPTER,6MP-10HOSE,BARB				
16	0307-720	1	CAPSCREW,HH,M8x1.25x20				
17	8051-242	1	WASHER,SPRING LOCK,5/16,ZN				
18	8050-277	1	WASHER,WROUGHT,3/8,SAE,ZN				
19	0304-575	1	HARNES,HEATER				
20	0304-122	1	SWITCH,ON/OFF,HEATER				
21	0310-587	4	CLAMP,WIRE,3/8,ADHESIVE				
22	2045-748	2	GROMMET 1 3/8" HOLE				
23	8050-222	6	WASHER,WROUGHT,1/4,STD,ZN				
24	0310-713	1	GASKET, SWITCH				
25	8102-039	4	CAPSCREW,HH,1/4-20UNCx.625,GD8				
26	8051-212	4	WASHER,SPRING LOCK,1/4,ZN				



# HEATER-AIR CONDITIONING ASSEMBLY

RT- 60 1 spd. valid from - 04077

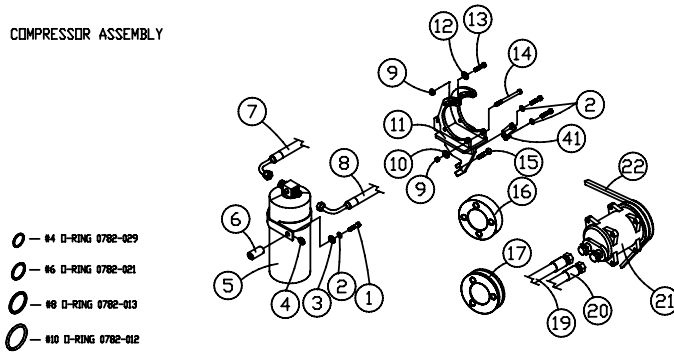
Section 20

REF. NO.	PART NUMBER	QTY.	DESCRIPTION
1	8102-139	1	CAPSCREW,HH5/16-18UNCx2.50 GD8
2	8051-242	3	WASHER,SPRING LOCK,5/16,ZN
3	8050-222	1	WASHER,WROUGHT,1/4,STD,ZN
4	0201-573	1	SPACER,TUBE,.75x.5x1
5	0782-019	1	DRYER
6	0201-628	1	SPACER,CLAMP
7	0782-048	1	HOSE,A/C,#6,92.00"
8	0782-053	1	HOSE,A/C,#6,55.50"
9	0314-269	3	NUT,FLANGE,TOPLK,3/8-16UNC,GDG
10	8050-277	1	WASHER,WROUGHT,3/8,SAE,ZN
11	0782-064	1	WLMT,MNT,COMPRESSOR
12	8050-262	3	WASHER,WROUGHT,5/16,STD,ZN
13	8102-225	2	CAPSCREW,HH,3/8-16 UNCx1.5,GD8
14	8102-236	1	CAPSCREW,HH,3/8-16UNCx5.0 GD8,
15	8102-132	1	CAPSCREW,HH,5/16-18UNCx1.0 GD8
16	0200-507	1	SPACER,FAN,3024C,A/C
17	0200-508	1	PULLEY,ADDITIONAL,CRANKSHAFT,3
18	0304-670	1	ADAPTER,5/8BARB-3/8MPT-90
19	0782-049	1	HOSE,A/C,#10,98.50"
20	0782-052	1	HOSE,A/C,#8,64.80"
21	0782-038	1	COMPRESSOR,AC,RC
22	0201-645	1	BELT,V, A SERIES, 1/2 x 48.00
23	0782-088	1	RELAY,CONDENSER,12V
24	0782-078	1	COIL,CONDENSER
25	0782-070	1	MNT,CONDENSER,ROOFTOP
26	0301-558	1	VALVE,FLOW,HEATER
27	0782-066	1	VALVE,EXPANSION,905
28	0782-067	2	ASSY,BLOWER
29	0782-073	1	COVER,AC
30	0782-072	1	SWITCH,TOGGLE,AC
31	0782-011	2	KNOB
32	0782-075	1	CABLE,CONTROL
33	0782-037	3	LOUVER,A/C,PERRIN
34	0782-060	4	LOUVER,ROUND,AC,RC50
35	0782-085	1	ASSY,FAN
36	0782-069	2	RESISTOR
37	0782-068	1	THERMOSTAT,AC
38	0782-081	1	COVER,HOUSING
39	0782-089	1	ASSY,EVAPORATOR
40	0200-527	1	TEE,5/8,BARBED

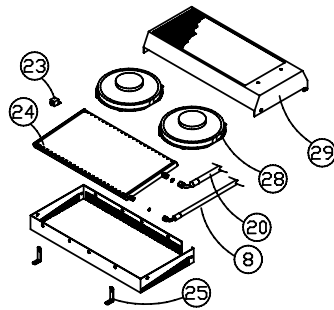
REF. NO.	PART NUMBER	QTY.	DESCRIPTION
41	0782-065	2	ARM,TENSION,COMPRESSOR

For kit information, please see page 25A

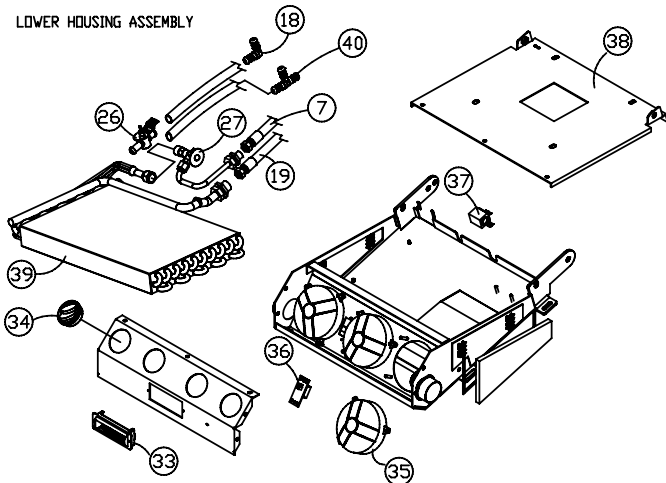
COMPRESSOR ASSEMBLY



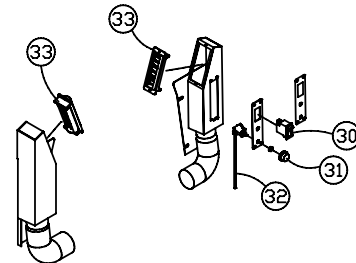
UPPER HOUSING ASSEMBLY



LOWER HOUSING ASSEMBLY



SIDE CONSOLE ASSEMBLY



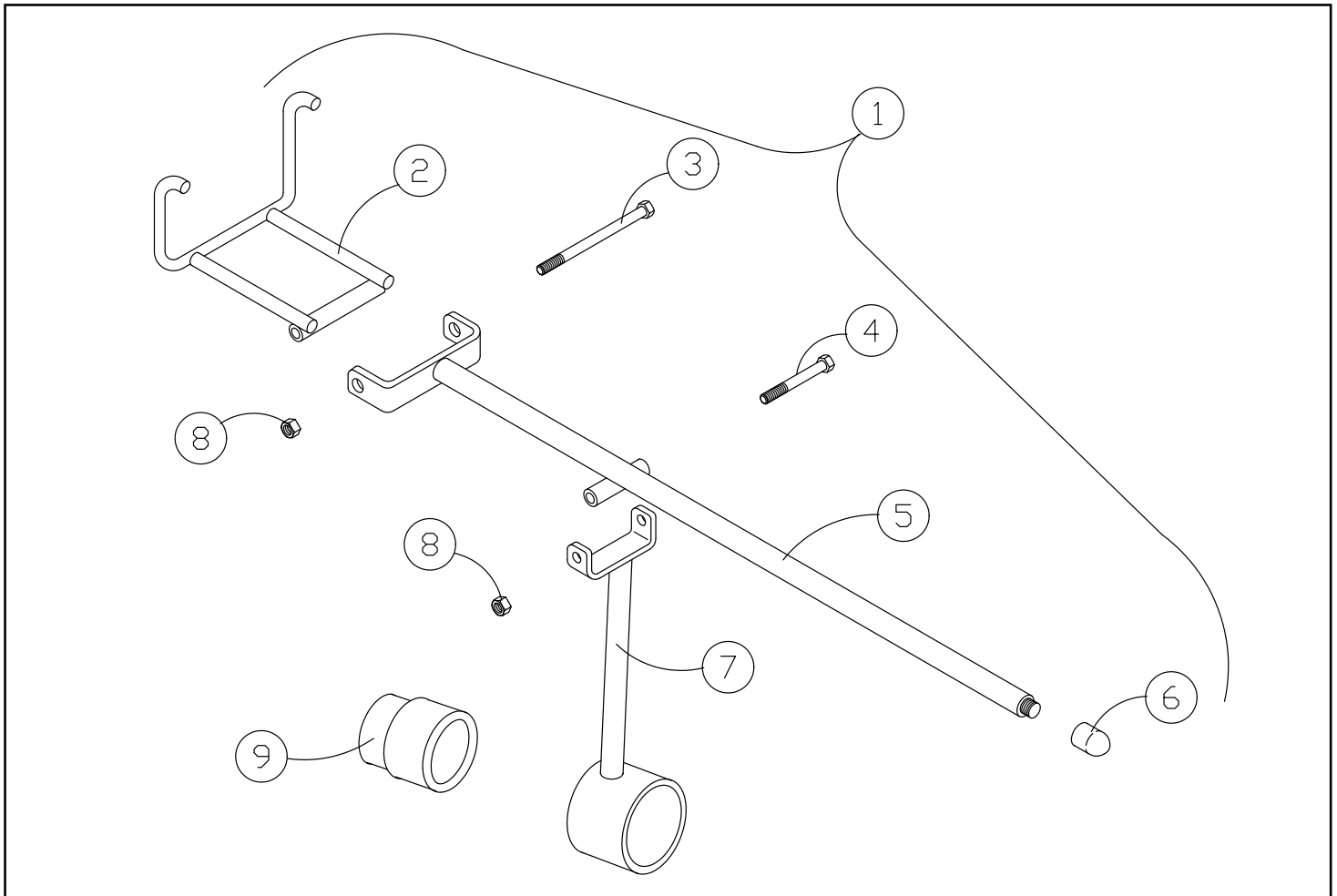
# TRACK INSTALLATION TOOL

RT- 60 1 spd. valid from - 04077

Section 21

REF. NO.	PART NUMBER	QTY.	DESCRIPTION
1	0702-214	1	ASSY,INSTALLATION,TRACK
2	0702-171	1	WLMT,HOOK,TRACK
3	8102-235	1	CAPSCREW,HH,3/8-16UNCx4.5,GD8,
4	8102-232	1	CAPSCREW,HH,3/8-16,UNCx3.25,GD
5	0702-175	1	WLMT,TRACK,HANDLE
6	0702-143	1	CAP,3/4-10
7	0702-180	1	WLMT,CATCH,TRACK
8	8040-486	2	NUT,HEX,NYLOCK,3/8-16 UNC,ZN
9	0702-219	1	INSERT,WHEEL

REF. NO.	PART NUMBER	QTY.	DESCRIPTION

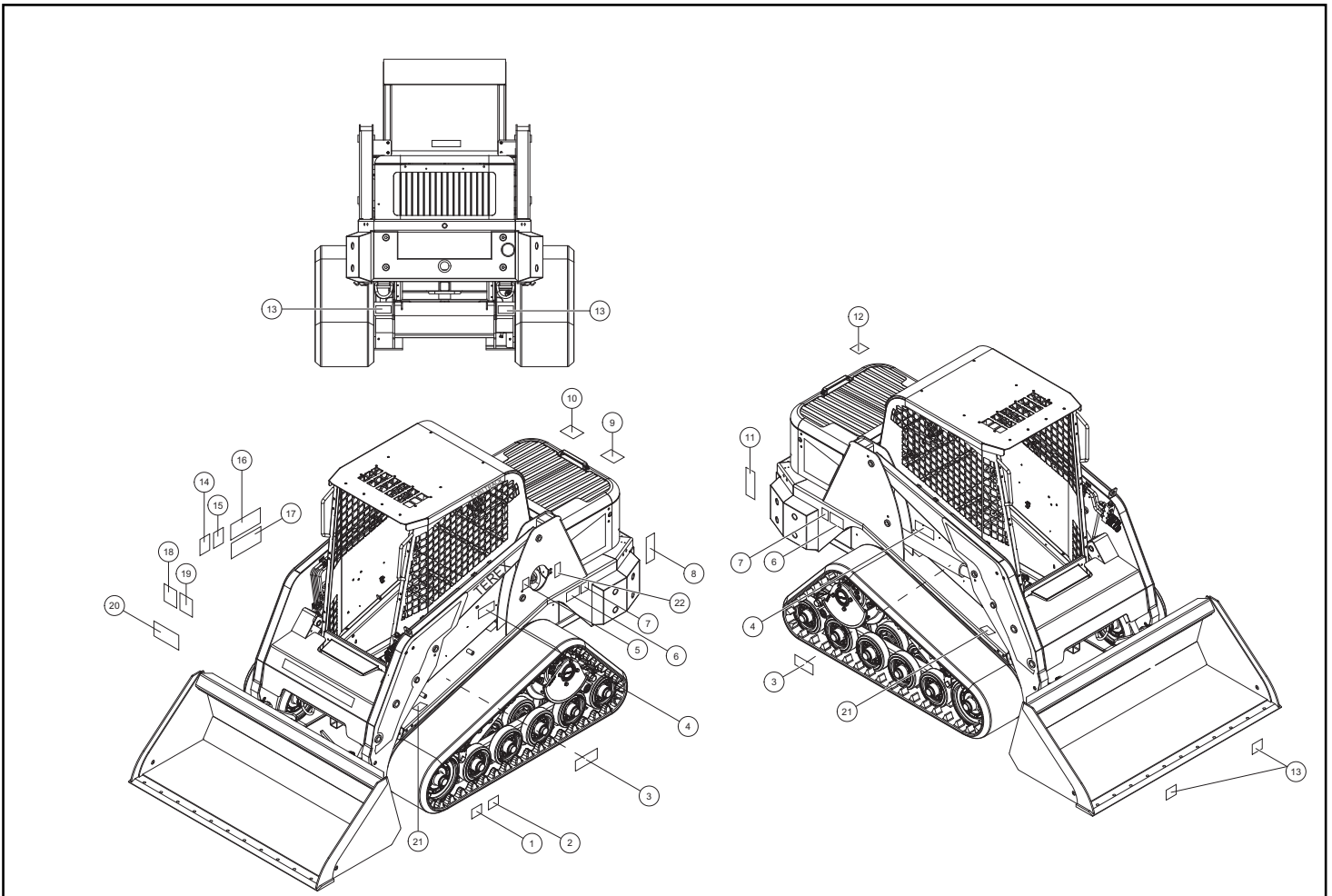


# SAFETY DECALS U.S. (ANSI)

RT- 60 1 spd. valid from - 04077

Section 22

REF. NO.	PART NUMBER	QTY.	DESCRIPTION	REF. NO.	PART NUMBER	QTY.	DESCRIPTION
1	2030-599	1	DECAL ANSI FIRE HAZARD (BRUSHCUTTING)				
2	0304-320	1	DECAL,OWNER'S MANUAL				
3	2030-594	2	DECAL ANSI LIFT ARM BRACE				
4	2030-602	2	DECAL ANSI SKIN INJECTION HAZARD				
5	4046-078	1	DECAL DIESEL FUEL ONLY				
6	2030-593	2	DECAL ANSI RUN OVER HAZARD				
7	2085-253	2	DECAL ANSI CLEAN UNDERCARRIAGES NOTICE				
8	2030-603	1	DECAL ANSI BATTERY EXPLOSION HAZARD				
9	2030-595	1	DECAL ANSI RADIATOR HAZARD				
10	2030-600	1	DECAL ANSI BELT FAN HAZARD				
11	2030-601	1	DECAL ANSI HOT SURFACES HAZARD				
12	4046-079	1	DECAL CE HYDRAULIC OIL ONLY				
13	0310-197	4	DECAL,TIE DOWN 156-5762				
14	0304-305	1	DECAL,THROTTLE				
15	2030-628	1	DECAL ANSI 2 SPEED				
16	2030-598	1	DECAL ANSI READ O&M ROLLOVER FALL HAZARD				
17	2030-596	1	DECAL ANSI ROLLOVER FALL HAZARD				
18	2030-424	1	DECAL CONTROLS RIGHT (NO TEXT)				
19	2030-423	1	DECAL CONTROLS LEFT (NO TEXT)				
20	2030-597	1	DECAL ANSI FALL HAZARD (3 POINT ENTRY)				
21	2030-592	2	DECAL ANSI LOADER CRUSH HAZARD				
22	7011-205	1	DECAL ANSI DANGER- FUELING				

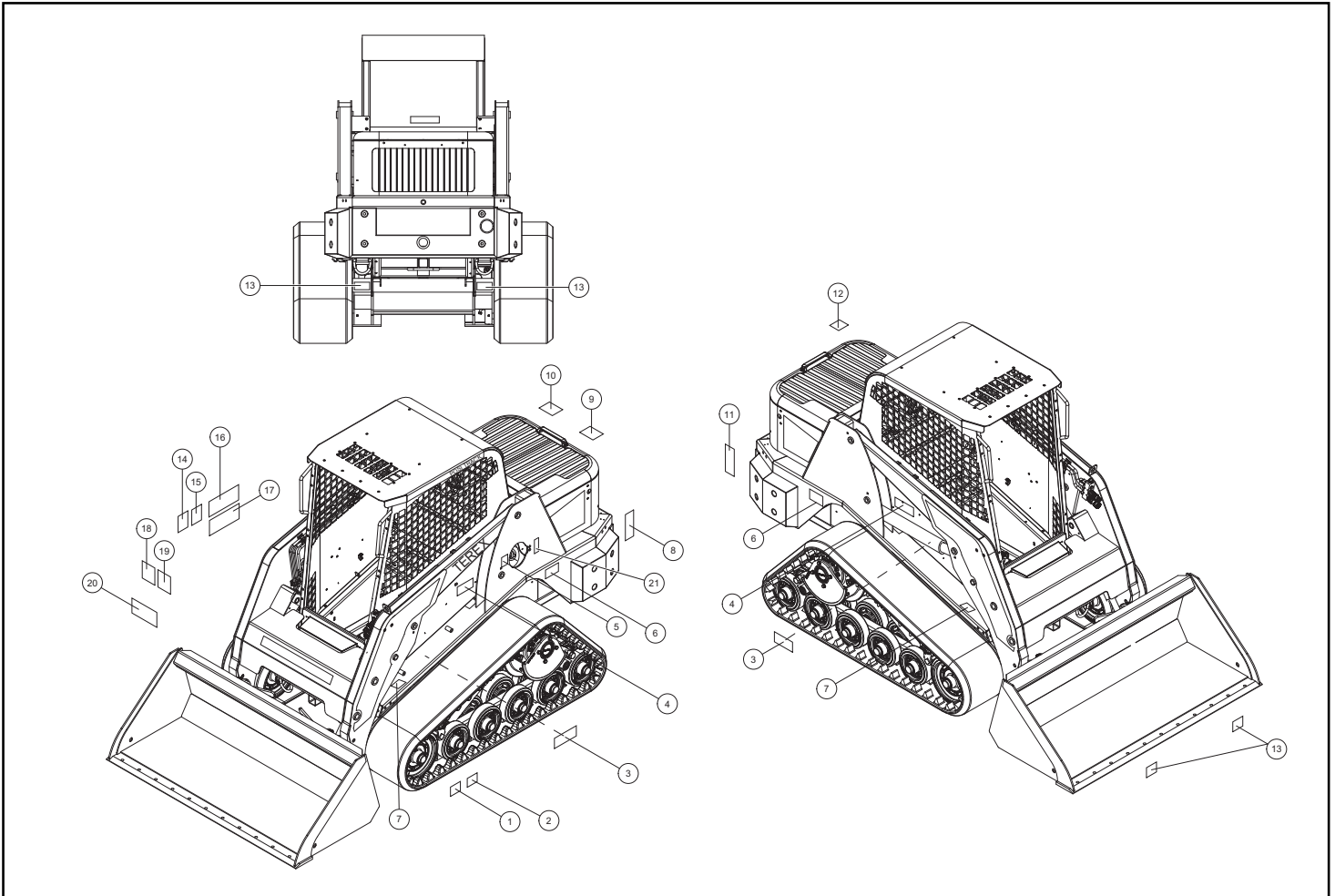


# SAFETY DECALS ROW (ISO)

RT- 60 1 spd. valid from - 04077

Section 23

REF. NO.	PART NUMBER	QTY.	DESCRIPTION	REF. NO.	PART NUMBER	QTY.	DESCRIPTION
1	2030-427	1	DECAL BRUSHCUTTING				
2	2030-422	1	DECAL MANUAL BOX (NO TEXT)				
3	2030-417	2	DECAL LOADER LOCK (NO TEXT)				
4	2030-553	2	DECAL ISO SAFETY SKIN OIL INJECTION				
5	4046-078	1	DECAL DIESEL FUEL ONLY				
6	2030-416	2	DECAL MOVING PARTS (TRACK WARNING)				
7	2030-415	2	DECAL BOOM CRUSH RT (NO TEXT)				
8	2030-565	1	DECAL ISO SAFETY BATTERY				
9	2030-418	1	DECAL ENGINE COMPARTMENT				
10	2030-551	1	DECAL ISO SAFETY FAN AND BELT				
11	2030-552	1	DECAL ISO SAFETY EXHAUST HOT				
12	4046-079	1	DECAL CE HYDRAULIC OIL ONLY				
13	0310-197	4	DECAL,TIE DOWN 156-5762				
14	2030-419	1	DECAL THROTTLE (NO TEXT)				
15	2030-428	1	DECAL 2 SPEED				
16	2030-426	1	DECAL NO RIDERS/WORK PLATFORM				
17	2030-420	1	DECAL CARRY LOADS/KEEP INSIDE				
18	2030-424	1	DECAL CONTROLS RIGHT (NO TEXT)				
19	2030-423	1	DECAL CONTROLS LEFT (NO TEXT)				
20	2030-425	1	DECAL 3 POINT (NO TEXT)				
21	0404-543	1	DECAL ISO ULSD FUEL HANDLING PRECAUTIONS				



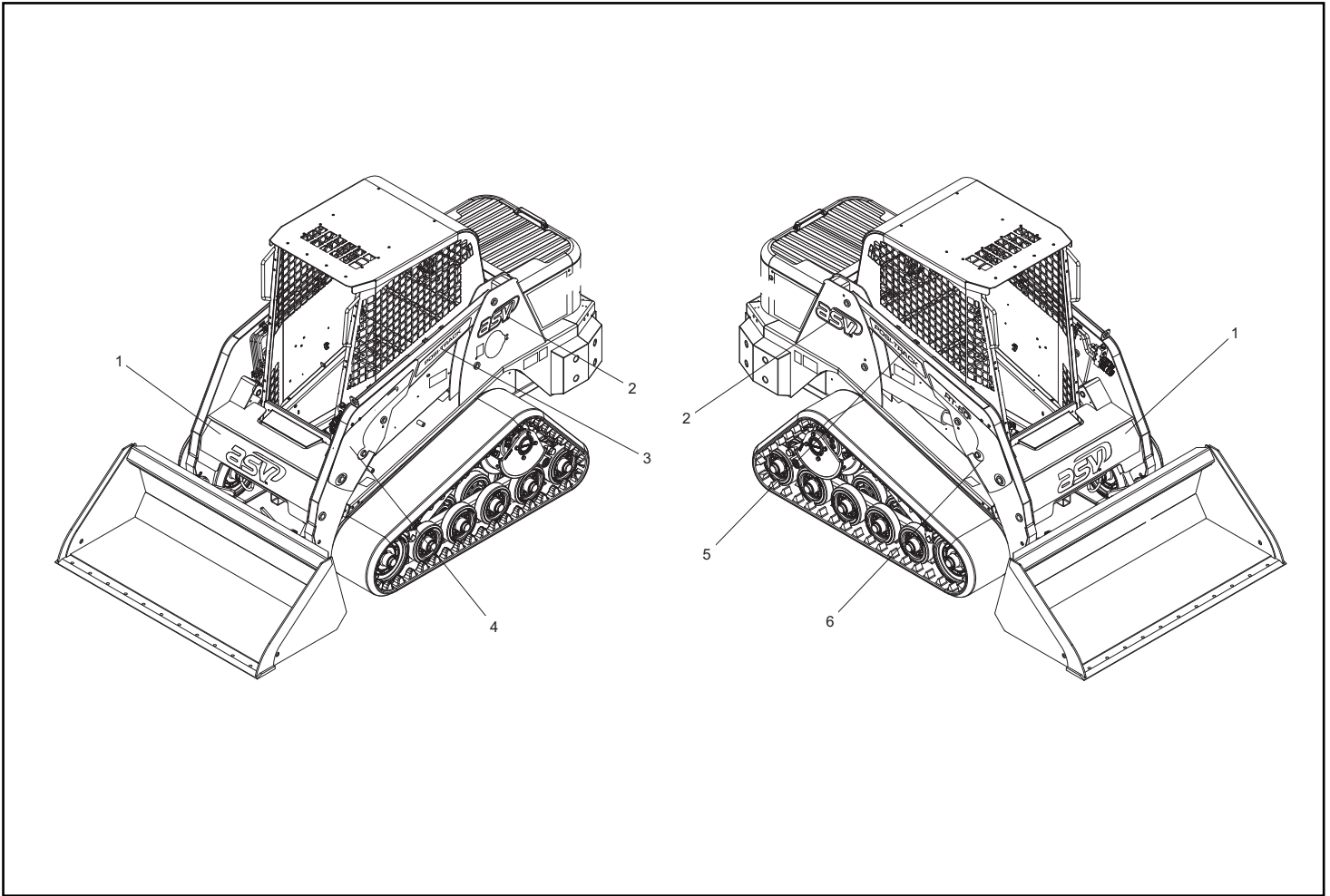
# MACHINE GRAPHICS

RT- 60 1 spd. valid from - 04077

Section 24

REF. NO.	PART NUMBER	QTY.	DESCRIPTION
1	2030-902	1	DECAL LOADER FRONT
2	2030-901	2	DECAL ASV
3	2030-886	1	DECAL LOADER LH REAR
4	2030-887	1	DECAL LOADER LH FRONT
5	2030-884	1	DECAL LOADER RH REAR
6	2030-885	1	DECAL LOADER RH FRONT

REF. NO.	PART NUMBER	QTY.	DESCRIPTION



## Kits

<u>Page</u>	<u>Kit</u>	<u>Part number</u>
3A	Complete front door kit	0404-025
	Complete wiper kit	0404-016
	Complete side window kit	0404-032
8A	Valve seal kit	2010-777
9A	Seal kit for item 18	2046-409
17A	Manual QA assembly	0404-034
18A	Hydraulic QA assembly	0404-024
19A	Complete heater kit	0404-021
20A	Complete AC / Heater kit	0404-029



**ASV Holdings Inc.**

**840 Lily Lane**

**Grand Rapids, MN 55744**

**1-800-205-9913**

**[www.asvi.com](http://www.asvi.com)**