



Master Part Manual

Compact Track Loader

PT-100 G

Part Number- 2076-431
Printed- 11/26/2019

Table of Contents

1. Cab (R.O.P.S.) Assembly		13. Hydraulic Drive / Auxiliary Assembly	
Serial # 00101-00759	1-A	Serial # 00101-00229	13-A
Serial # 00760-00762	1-B	Drive Hose Supplement	
Serial # 00763-Current*	1-C	Serial # 00230-00712	13-B
		Serial # 00713-00730	13-C
2. Cab Interior		Serial # 00731-Current*	13-D
Serial # 00101-00759	2-A	14. Solenoid Blocks	
Serial # 00760-00762	2-B	Serial # 00101-Current*	14-A
Serial # 00763-Current*	2-C	15. Engine Assembly	
3. Headliner / Dash Pods		Serial # 00101-Current*	15-A
Serial # 00101-00759	3-A	16. Intake / Exhaust Assemblies	
Serial # 00760-00762	3-B	Serial # 00101-Current*	16-A
Serial # 00763-Current*	3-C	17. Fuse Panel Assembly	
4. Cab Door / Windows (Optional)		Serial # 00101-Current*	17-A
Serial # 00101-00759	4-A	18. Torsion Axle Assembly	
Serial # 00760-00762	4-B	Serial # 00101-Current*	18-A
Serial # 00763-Current*	4-C	19. Undercarriage Assembly (RT)	
5. Windshield Wiper (Optional)		Serial # 00101-00735	19-A
Serial # 00101-00759	5-A	Serial # 00736-Current*	19-A
Serial # 00760-00762	5-B	20. Undercarriage Assembly (LT)	
Serial # 00763-Current*	5-C	Serial # 00101-00735	20-A
6. Chassis Assembly		Serial # 00736-Current*	20-B
Serial # 00101-Current*	6-A	21. Drive Table Assembly (RT)	
7. Fuel Tank Assembly		Serial # 00101-00739	21-A
Serial # 00101-Current*	7-A	Serial # 00739-Current*	21-B
8. Hood Assembly		22. Drive Table Assembly (LT)	
Serial # 00101-Current*	8-A	Serial # 00101-00738	22-A
9. Radiator / Oil Cooler Assembly		Serial # 00740-Current*	22-B
Serial # 00101-Current*	9-A		
10. Hydraulic Reservoir Assembly			
Serial # 00101-00678	10-A		
Serial # 00679-00733	10-B		
Serial # 00734-Current*	10-C		
11. Hydraulic Control Assembly			
Serial # 00101-Current*	11-A		
12. Lift Arm Control Valve Assembly			
Serial # 00101-Current*	12-A		

* Parts manuals are updated on a regular basis. Always refer to current online posted manuals to ensure you have the most current information prior to ordering parts.

NOTE: Ordering parts that are painted requires a specific part number format. Please refer to page III of this manual for paint code and ordering information.

Table of Contents

23. Lift Arm Assembly	
Serial # 00101-00761	23-A
Serial # 00101-Current*	23-B
24. Lift Arm Tubes and Fittings	
Serial # 00101-Current*	24-A
25. Manual Quick Attach Assembly	
Serial # 00101-Current*	25-A
26. Power Quick Attach Assembly	
Serial # 00101-Current*	26-A
27. Air Conditioning / Heating	
Serial # 00101-00759	27-A
Serial # 00760-00762	27-B
Serial # 00763-Current*	27-C
28. Cab Heater	
Serial # 00101-00759	28-A
Serial # 00760-00762	28-B
Serial # 00763-Current*	28-C
29. Ductwork	
Serial # 00760-00762	29-A
30. Safety Decals U.S. (ANSI)	
Serial # 00101-Current*	30-A
31. Safety Decals ROW (ISO)	
Serial # 00101-Current*	31-A
32. Machine Graphics	
Serial # 00101-Current*	32-A

* **Parts manuals are updated on a regular basis. Always refer to current online posted manuals to ensure you have the most current information prior to ordering parts.**

NOTE: Ordering parts that are painted requires a specific part number format. Please refer to page III of this manual for paint code and ordering information.

Painted Service Parts

ordering guidelines

Compact Track and Skid Steer Loaders are available in various colors and nomenclatures (brands / model names).

Paint color needs to be specified when ordering painted components. When ordering painted components, inform the support representative of the brand and model name of your machine before selecting the proper color from the list below. The support representative should be able to assist you in finding the correct one based on your machine's **VIN number**. This should help to identify the original machine configuration and nomenclature.

***Note:** Not all colors are available on all components. Available colors are limited to those considered "standard" on your particular machine and component(s). Please do not attempt to order non-standard colors for your machine as the order will not be fulfilled until corrected.

The color codes are to be referenced as a suffix to the part number of the component you are requesting, for example: 0000-000-GRN (indicating a green part).

The following is a list of available colors.

<u>Color</u>	<u>Color Code:</u>
BLACK	BLK (ALL MODELS)
WHITE	WHT (TEREX)
GREEN	GRN (SUNBELT)
GRAY	GRY (TEE)
GRAY	GTG (SKID STEER WHEELS ONLY)
ORANGE	ORN (ASPLUNDH)

GENERAL SERVICE ITEMS & LUBRICANTS

<u>ITEM</u>	<u>DESCRIPTION</u>	<u>PART NUMBER</u>
-Engine Oil Filter	Filter, Engine Oil	0201-859
-Primary Air Filter	Filter, Primary Air	0201-510
-Secondary Air Filter	Filter, Secondary Air	0201-533
-Fuel Filter	Perkins (2656F843)	2076-082
-Fuel / Water Separator Filter	Perkins (2656F853)	2076-081
-Fan Belt	Belt, Standard	2076-242
	Belt, A/C	2076-146
-Antifreeze/Coolant (1 gal.)		
-Antifreeze/Coolant (Case/6 gal.)	Ethylene Glycol (long life)	0300-766
	Ethylene Glycol (long life)	0402-841
-Engine Oil (1 qt.)		
-Engine Oil (Case/12 qt.)	Multi-Grade 10W-30	0300-767
	Multi-Grade 10W-30	0402-838
-Engine Oil (1 gal.)		
-Engine Oil (Case/6 gal.)	Multi-Grade 10W-30	0402-839
	Multi-Grade 10W-30	0402-840
-Grease (1 Tube)		
-Grease (Box/10 Tubes)	Multi-Purpose Lithium	0300-769
-Grease (Case/40 Tubes)	Multi-Purpose Lithium	0402-844
	Multi-Purpose Lithium	0402-834

HYDRAULIC SERVICE ITEMS & LUBRICANTS

<u>ITEM</u>	<u>DESCRIPTION</u>	<u>PART NUMBER</u>
-Hydraulic Charge Oil Filter	Filter, Hydraulic Charge	0404-161
-Hydraulic Auxiliary Oil Filter	Filter, Hydraulic Auxiliary	2075-219
-Case Drain Oil Filter	Filter, Hydraulic Case Drain	2046-286
<u>O-RING</u>	<u>PART NUMBER</u>	
-# 4, Flat Face Type	2055-196	
-# 6, Flat Face Type	0310-285	
-# 8, Flat Face Type	0310-286	
-# 10, Flat Face Type	0310-287	
-# 12, Flat Face Type	0310-288	
-# 16, Flat Face Type	0310-289	
-# 20, Flat Face Type	0310-290	
-# 24, Flat Face Type	0201-479	
-# 4, ORB Type	0314-366	
-# 6, ORB Type	0310-619	
-# 8, ORB Type	0307-353	
-# 10, ORB Type	0310-620	
-# 12, ORB Type	0310-621	
-# 16, ORB Type	0307-354	
-# 20, ORB Type	0310-832	

**COMPONENT SERVICE ITEMS / HARNESES
PT-100G**

HARNESES

<u>ITEM</u>	<u>LOCATION</u>	<u>PART NUMBER</u>
HARNESS,JUMPER,QA		2015-042
HARNESS ENGINE		2075-651
HARNESS IMPLEMENT VALVE		2075-834
HARNESS TRANSMISSION		2075-835
HARNESS FUEL SENDER		2075-836
HARNESS LEFT PILLAR		2075-838
HARNESS RIGHT PILLAR		2075-839
HARNESS CHASSIS		2075-840
HARNESS HOOD		2076-046
HARNESS AUXILARY- Serial number 00101-00682		2075-566
HARNESS AUXILARY- Serial number 00683- current		7000-117

CYLINDER SERVICE ITEMS
Serial # 00101 - 00761
PT-100G

Hydraulic Cylinders

- LH-Bucket/Tilt P/N: 2075-350 • LH-Q/A P/N: 2046-316
- RH-Bucket/Tilt P/N: 2075-351 • RH-Q/AP/N: 2046-317
- Lift-Arm P/N: 2075-334

<u>ITEM</u>	<u>MANUFACTURER/DESCRIPTION</u>	<u>PART NUMBER</u>
-Kit,Seal,Bucket/Tilt Cylinder	Fits Cylinder (P/N:2075-350/351)	2076-153
-Rod,Bucket/Tilt Cylinder	Fits Cylinder (P/N:2075-350/351)	2076-157
-End Gland,Bucket/Tilt Cylinder	Fits Cylinder (P/N:2075-350/351)	2076-154
-Nut,Bucket/Tilt Cylinder	Fits Cylinder (P/N:2075-350/351)	2030-656
-Kit,Seal,Lift Arm Cylinder	Fits Cylinder (P/N:2075-334)	2076-152
-Rod,Lift Arm Cylinder	Fits Cylinder (P/N:2075-334)	2076-156
-End Gland,Lift Arm Cylinder	Fits Cylinder (P/N:2075-334)	2076-155
-Nut,Lift Arm Cylinder	Fits Cylinder (P/N:2075-334)	2076-159
-Kit,Seal,Q/A Cylinder	Fits Cylinder (P/N:0201-970/971)	0003-063
	Fits Cylinder (P/N:2046-316/317)	2076-292

CYLINDER SERVICE ITEMS
Serial # 00762 - Current
PT-100G

Hydraulic Cylinders

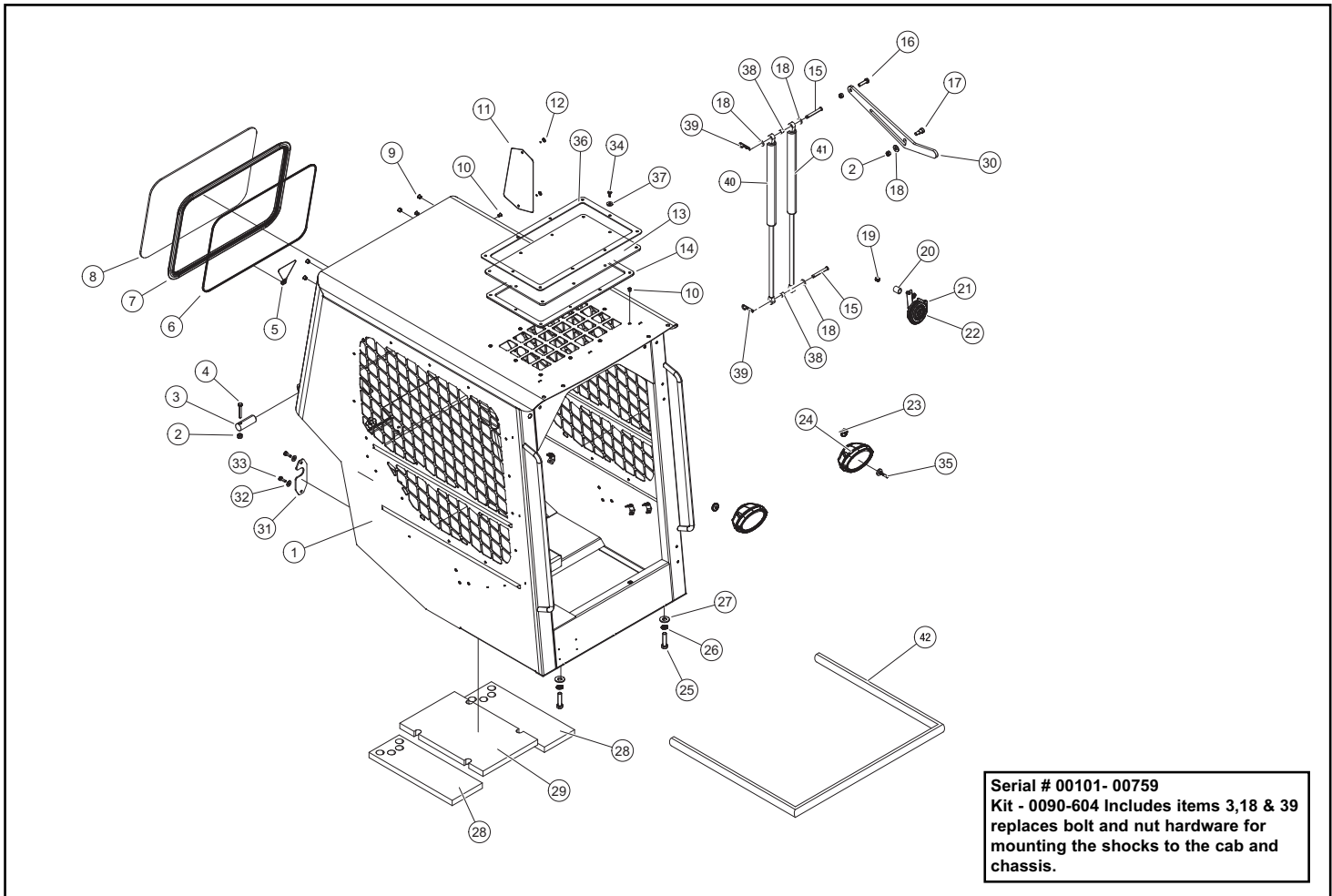
- LH-Bucket/Tilt P/N: 2076-604 • LH-Q/A P/N: 2046-316
- RH-Bucket/Tilt P/N: 2076-603 • RH-Q/AP/N: 2046-317
- Lift-Arm P/N: 2076-605

<u>ITEM</u>	<u>MANUFACTURER/DESCRIPTION</u>	<u>PART NUMBER</u>
-Kit,Seal,Bucket/Tilt Cylinder	Fits Cylinder (P/N:2076-603/604)	0404-532
-Rod,Bucket/Tilt Cylinder	Fits Cylinder (P/N:2076-603/604)	2076-157
-End Gland,Bucket/Tilt Cylinder	Fits Cylinder (P/N:2076-603/604)	2076-617
-Nut,Bucket/Tilt Cylinder	Fits Cylinder (P/N:2076-603/604)	2030-656
-Kit,Seal,Lift Arm Cylinder	Fits Cylinder (P/N:2076-605)	0404-533
-Rod,Lift Arm Cylinder	Fits Cylinder (P/N:2076-605)	2076-156
-End Gland,Lift Arm Cylinder	Fits Cylinder (P/N:2076-605)	2076-621
-Nut,Lift Arm Cylinder	Fits Cylinder (P/N:2076-605)	2076-159
-Kit,Seal,Q/A Cylinder	Fits Cylinder (P/N:2046-316/317)	2076-292

CAB ASSEMBLY (R.O.P.S. CANOPY) (Serial #: 00101-00759)

Section 1

REF. NO.	PART NUMBER	QTY.	DESCRIPTION	REF. NO.	PART NUMBER	QTY.	DESCRIPTION
1	2075-588	1	ROPS PT	41	2076-247	1	SHOCK LIFT CAB
2	8040-426	6	NUT,HEX,NYLOCK,5/16-18 UNC,ZN	42	0090-407	1	BULB SEAL 1.00 X 1.00 X 65"
3	0201-482	2	PIN,1.00x2.88				
4	8102-137	2	CAPSCREW,HH,5/16-18UNCx2.0 GD8 ZN				
5	0201-748	1	ASSY,TAG,EMERGENCY EXIT				
6	0090-533	6.33'	SEAL FILLER STRIP				
7	0090-532	6.33'	SEAL .125 OFFSET WINDOW LOCKING W/ZIPPER				
8	2075-822	1	WINDOW REAR 16.25 X 23.25				
9	2045-817	5	PLUG FINISHING .5				
10	0090-300	12	INSERT THREADED FLHD 1/4-20				
11	2075-820	1	COVER FILTER BLANK				
12	8102-040	2	CAPSCREW,HH,1/4-20 UNCx.75,GD8 ZN				
13	0200-606	1	PANEL ROOF LEXAN				
14	0200-607	1	SEAL PANEL ROOF				
15	0090-602	2	CLEVIS PIN 5/16 X 2.5"				
16	8102-134	1	CAPSCREW,HH,5/16-18UNCx1.25GD8 ZN				
17	0090-137	1	BOLT 3/8" SHLDR x1/2"x5/16"-18				
18	8050-222	4	WASHER,WROUGHT,1/4,STD,ZN				
19	8040-486	1	NUT,HEX,NYLOCK,3/8-16 UNC,ZN				
20	2076-147	1	SPACER				
21	8102-225	1	CAPSCREW,HH,3/8-16 UNCx1.5,GD8,ZN				
22	0304-478	1	HORN				
23	0090-366	2	GROMMET WEB				
24	4030-041	2	LIGHT WORK CE APPROVED				
25	8102-405	2	CAPSCREW,HH,1/2-13 UNCx1.5,GD8				
26	8051-332	2	WASHER,SPRING LOCK,1/2,ZN				
27	8050-347	2	WASHER,WROUGHT,1/2,STD,ZN				
28	2045-701	2	FOAM SOUND				
29	2045-700	1	FOAM SOUND				
30	2075-744	1	ROD PROP SLOTTED				
31	2075-707	1	RETAINER WIRING HARNESS				
32	8050-222	2	WASHER,WROUGHT,1/4,STD,ZN				
33	8102-040	2	CAPSCREW,HH,1/4-20 UNCx.75,GD8 ZN				
34	0090-347	10	SCREW TH PH 1/4-20 X 1.25 ZN				
35	0404-093	2	BULB H3				
36	2030-671	1	FRAME WINDOW TOP				
37	0090-325	10	WASHER 1/4" 3/4" RUBBER BONDED				
38	2076-147	2	SPACER				
39	0090-603	2	HAIRPIN COTTER PIN 1/8 X1.92"				
40	2045-620	1	SHOCK LIFT CAB				

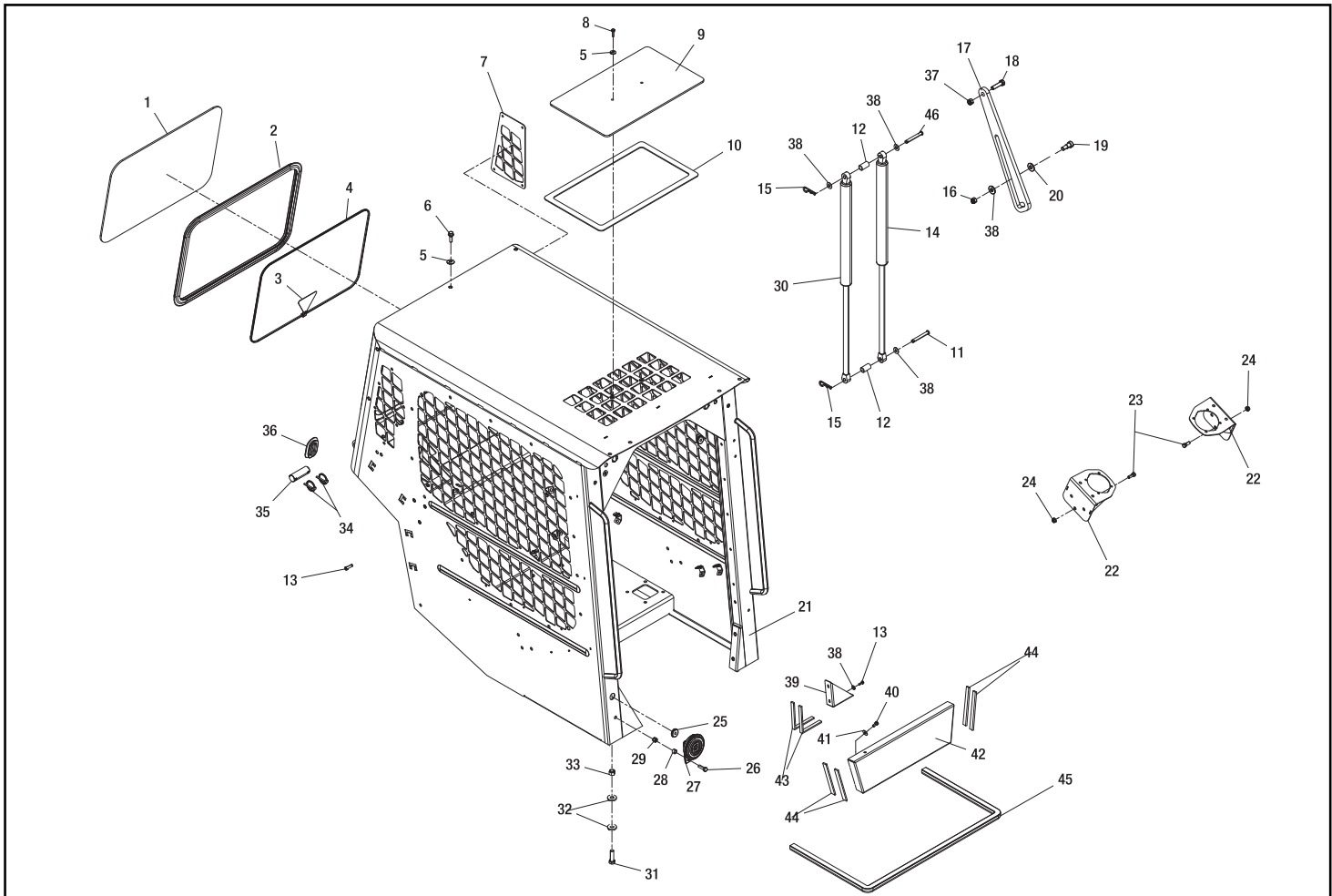


Serial # 00101- 00759
Kit - 0090-604 Includes items 3,18 & 39
 replaces bolt and nut hardware for
 mounting the shocks to the cab and
 chassis.

CAB ASSEMBLY (R.O.P.S. CANOPY) (Serial #: 00760-00762)

Section 1

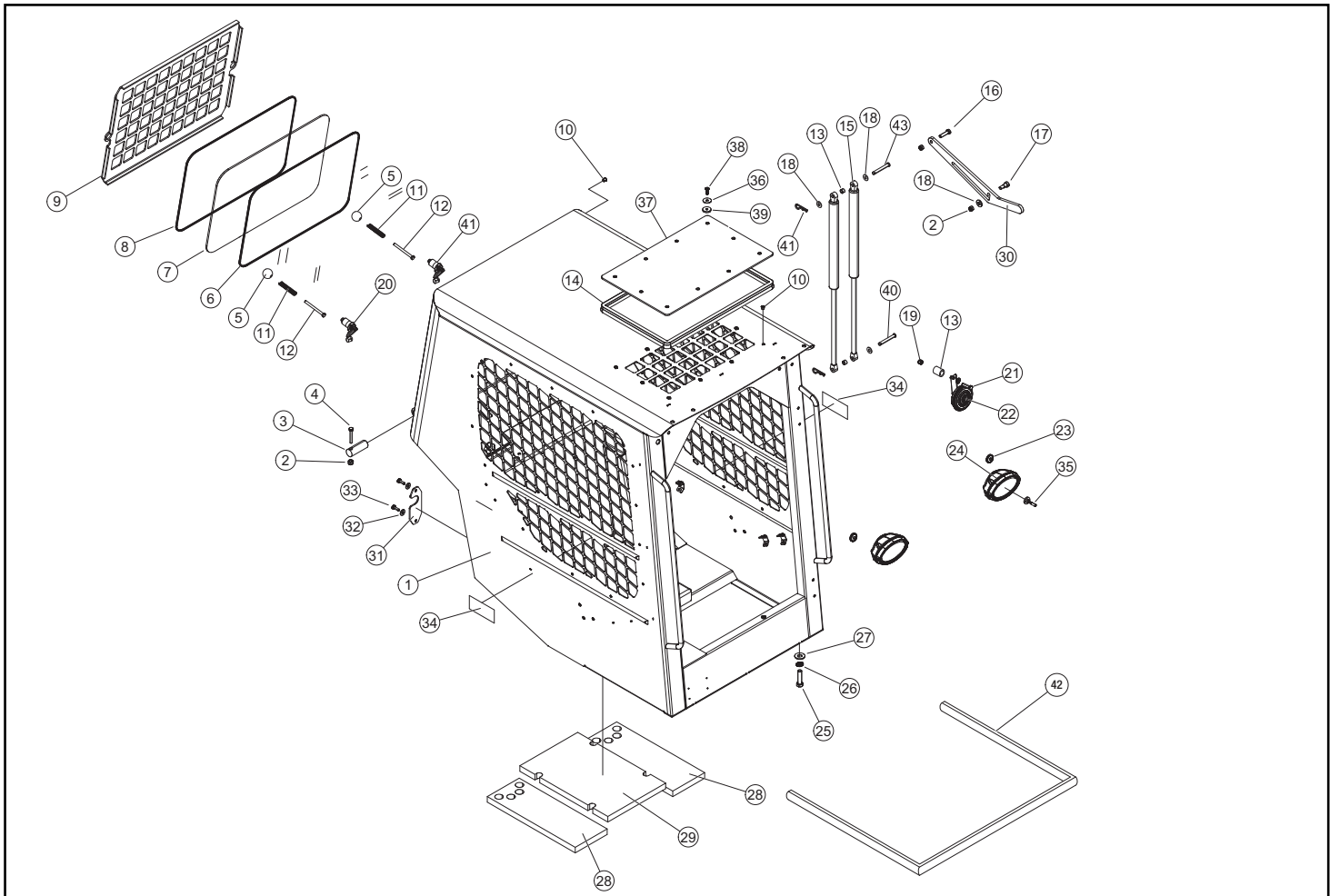
REF. NO.	PART NUMBER	QTY.	DESCRIPTION	REF. NO.	PART NUMBER	QTY.	DESCRIPTION
1	2075-822	1	WINDOW REAR 16.25 X 23.25	41	8050-282	4	WASHER,WROUGHT,3/8,STD,ZN
2	0090-532	1	80" PRECUT, SEAL .125 OFFSET WINDOW LOCKING	42	2095-581	1	FILLER TOE KICK
3	0201-748	1	ASSY,TAG,EMERGENCY EXIT	43	2095-878	2	SEAL CORNER
4	0090-533	1	80" PRECUT, SEAL, FILLER STRIP	44	2095-877	4	SEAL TOE KICK
5	0090-460	4	WASHER 3/8" x 1.125" RUBBER BONDED	45	0090-407	1	BULB SEAL 1.00 X 1.00 X 65"
6	0090-461	4	CAPSCREW HH 3/8-16UNC x 1.25 GD5 NON-SERRATED	46	0090-650	1	CLEVIS PIN 5/16 X 2.25"
7	7005-530	1	INSERT SIDE SCREEN				
8	8102-042	2	CAPSCREW, HH 1/4-20UNC 1" GD8				
9	2095-705	1	PANEL ROOF POLYCARBONATE				
10	0090-526	1	ADHESIVE LOCTITE 5512				
11	0090-602	2	CLEVIS PIN 5/16 X 2.5"				
12	2076-147	1	SPACER				
13	8102-040	8	CAPSCREW,HH,1/4-20 UNCx.75,GD8 ZN				
14	2095-738	1	SPRING GAS 1750N				
15	0090-603	2	HAIRPIN COTTER PIN 1/8 X1.92"				
16	8041-457	2	NUT,NYLOCK,5/16 - 18,THIN				
17	2045-624	1	ROD PROP SLOTTED				
18	8102-134	1	CAPSCREW,HH,5/16-18UNCx1.25GD8 ZN				
19	0090-137	1	BOLT 3/8" SHLDR x1/2"x5/16"-18				
20	0090-104	1	WASHER .402 x .728 x .098 HARD				
21	2095-555	1	ROPS WLMNT				
22	0200-600	2	MNTS JOYSTICK				
23	8102-222	6	CAPSCREW,HH,3/8-16 UNCx1.0,GD8,ZN				
24	0314-269	6	NUT,FLANGE,TOPLK,3/8-16UNC,GDG,ZN				
25	2075-638	1	GROMMET WEB				
26	8102-224	1	CAPSCREW,HH,3/8-16UNCx1.25,GD8,ZN				
27	0304-478	1	HORN - 164-9425				
28	0201-628	1	SPACER,CLAMP				
29	8040-486	1	NUT,HEX,NYLOCK,3/8-16 UNC,ZN				
30	2095-739	1	SPRING GAS 1400N				
31	0201-897	2	CAPSCREW,HH,5/8-11UNCx2.5,GD8 ZN				
32	7010-463	4	PLATE STRUCTURAL CAB WASHER				
33	8040-726	2	NUT,HEX,NYLOCK,5/8-11 UNC,ZN				
34	0090-065	2	PIN LYNCH 3/16 DIA x 1 9/16				
35	0090-430	2	PIN ROPS				
36	7006-319	1	PLUG A/C LINE ACCESS				
37	8040-426	1	NUT,HEX,NYLOCK,5/16-18 UNC				
38	8050-222	16	WASHER,WROUGHT,1/4,STD				
39	2095-582	1	PLATE DOOR FILLER				
40	8102-220	4	CAPSCREW,HH,3/8-16x0.75".GD8				



CAB ASSEMBLY (R.O.P.S. CANOPY) (Serial #: 00763-Current)

Section 1

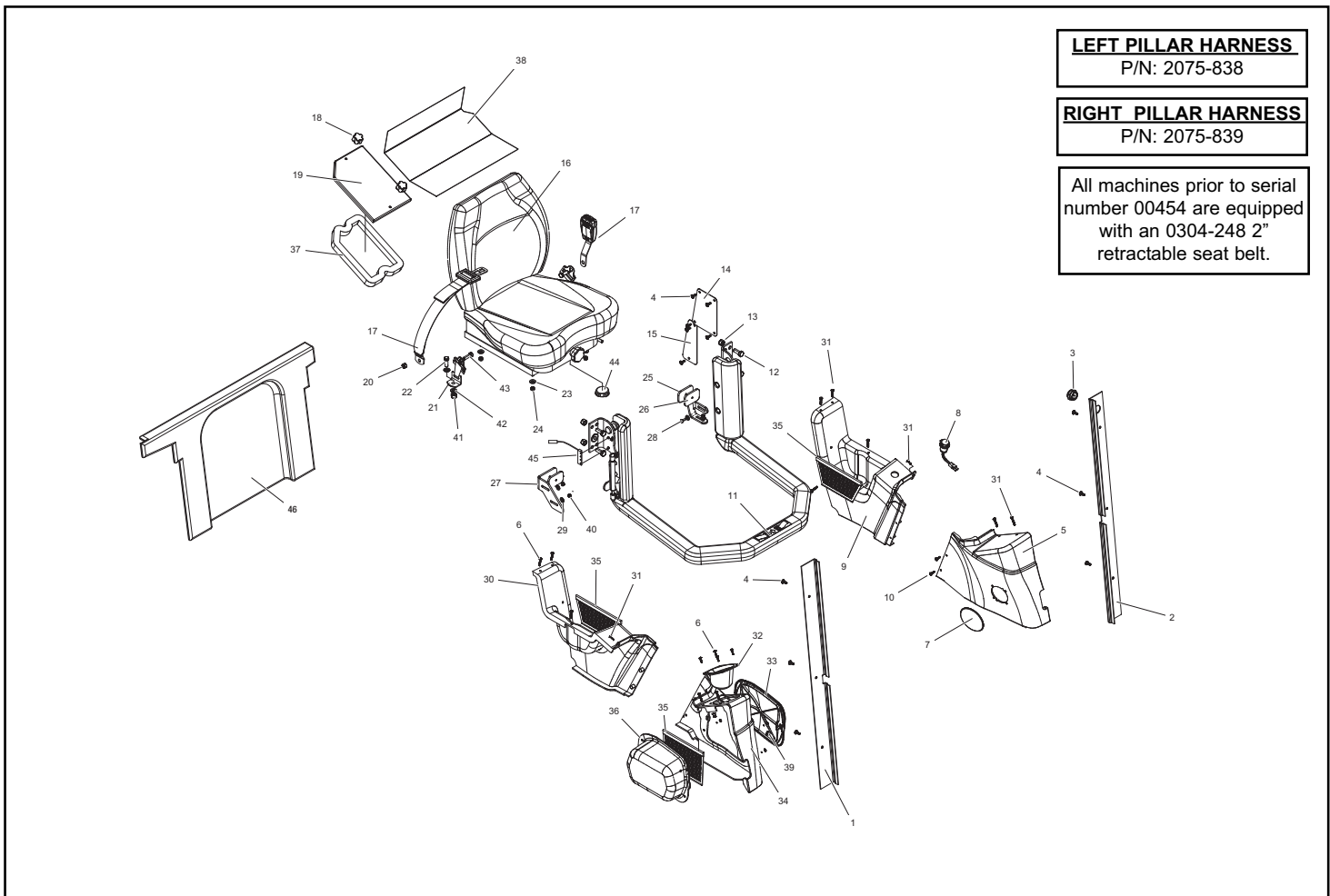
REF. NO.	PART NUMBER	QTY.	DESCRIPTION	REF. NO.	PART NUMBER	QTY.	DESCRIPTION
1	2075-940	1	ROPS PT	41	0090-603	2	HAIRPIN COTTER PIN 1/8 X1.92"
2	8040-426	6	NUT,HEX,NYLOCK,5/16-18 UNC,ZN	42	0090-407	1	BULB SEAL 1.00 X 1.00 X 65"
3	0201-482	2	PIN,1.00x2.88	43	0090-650	1	CLEVIS PIN 5/16 X 2.25"
4	8102-137	2	CAPSCREW,HH,5/16-18UNCx2.0 GD8 ZN				
5	2076-196	2	KNOB LATCH SPRING WINDOW REAR				
6	2076-198	1	SEAL WINDOW REAR INNER				
7	2076-197	1	WINDOW REAR FORESTRY				
8	2076-199	1	SEAL WINDOW REAR OUTER				
9	2076-193	1	SCREEN REAR				
10	0090-300	12	INSERT THREADED FLHD 1/4-20				
11	2076-195	2	SPRING REAR WINDOW LATCH				
12	8102-143	2	CAPSCREW,HH,5/16-18UNC3.5,GD8				
13	2076-147	3	SPACER				
14	2076-248	1	PANEL ROOF SEAL FORESTRY				
15	2076-247	2	SHOCK LIFT CAB				
16	8102-134	1	CAPSCREW,HH,5/16-18UNCx1.25GD8 ZN				
17	0090-137	1	BOLT 3/8" SHLDR x1/2"x5/16"-18				
18	8050-222	4	WASHER,WROUGHT,1/4,STD,ZN				
19	8040-486	1	NUT,HEX,NYLOCK,3/8-16 UNC,ZN				
20	2076-194	2	LATCH SCREEN REAR				
21	8102-225	1	CAPSCREW,HH,3/8-16 UNCx1.5,GD8,ZN				
22	0304-478	1	HORN				
23	0090-366	2	GROMMET WEB THICK				
24	4030-041	2	LIGHT WORK CE APPROVED				
25	8102-405	4	CAPSCREW,HH,1/2-13 UNCx1.5,GD8				
26	8051-332	4	WASHER,SPRING LOCK,1/2,ZN				
27	0090-368	4	WASHER HARDENED 1.375X.570X.250 ZN				
28	2045-701	2	FOAM SOUND				
29	2045-700	1	FOAM SOUND				
30	2075-744	1	ROD PROP SLOTTED				
31	2075-707	1	RETAINER WIRING HARNESS				
32	8050-222	2	WASHER,WROUGHT,1/4,STD,ZN				
33	8102-040	2	CAPSCREW,HH,1/4-20 UNCx.75,GD8 ZN				
34	2030-602	2	DECAL ANSI SKIN INJECTION HAZARD				
35	0404-093	2	BULB H3				
36	2030-671	1	FRAME WINDOW TOP				
37	2076-192	1	PANEL ROOF FORESTRY				
38	8102-042	10	CAPSCREW, HH 1/4-20UNC 1" GD8				
39	2045-522	10	WASHER MOUNTING DOOR HANDLE				
40	0090-602	1	CLEVIS PIN 5/16 X 2.5"				



CAB INTERIOR (Serial #: 00101-00759)

Section 2

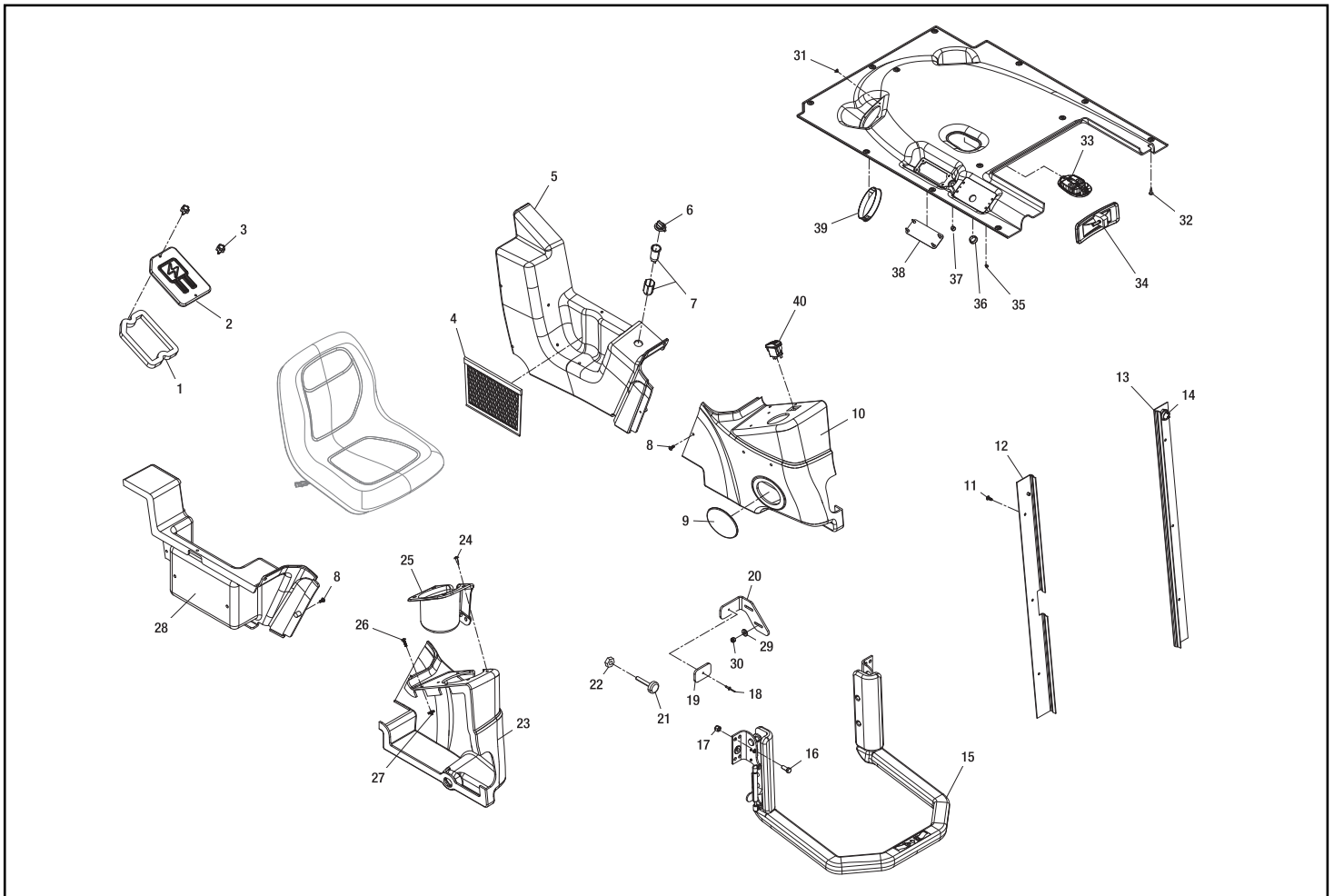
REF. NO.	PART NUMBER	QTY.	DESCRIPTION	REF. NO.	PART NUMBER	QTY.	DESCRIPTION
1	2075-621	1	COVER POST RH	41	8040-546	2	NUT,HEX,NYLOCK,7/16-14 UNC,ZN
2	2075-620	1	COVER POST LH	42	8050-320	4	WASHER,WROUGHT,7/16,SAE,ZN
3	0090-268	1	BUZZER	43	8102-314	2	CAPSCREW HH 7/16-14 UNC x1.25 GD8
4	8102-040	12	CAPSCREW,HH,1/4-20 UNCx.75,GD8 ZN	44	0304-515	1	SWITCH,SEAT
5	2075-486	1	PANEL FRONT LH E/H CONTROLS	45	0304-473	1	SENSOR,SWITCH,LAPBAR
6	0090-305	6	RETAINER PUSH TYPE .250 DIA	46	2076-239	1	PANEL, BACK
7	2075-222	1	PLUG HEATER VENT				
8	2045-414	1	OUTLET POWER				
9	2075-484	1	PANEL REAR LH E/H CONTROLS				
10	0090-128	4	SCREW TH PH 10-24 x 5 SS				
11	0304-019	1	ASSY,LAP BAR				
12	8102-404	4	CAPSCREW,HH 1/2-13UNCx1.25 GD8 ZN				
13	8040-606	4	NUT,HEX,NYLOCK,1/2-13 UNC,ZN				
14	2075-818	1	COVER FRESH AIR				
15	2075-819	1	COVER RECIRC AIR				
16	2045-452	1	SEAT,SUSP,60MM				
17	2076-409	1	BELT,SEAT 2" ADJUSTABLE				
18	0090-239	2	KNOB 1/5-4-20 UNC 2B				
19	2075-810	1	COVER FUSE PANEL				
20	8040-546	2	NUT,HEX,NYLOCK,7/16-14 UNC,ZN				
21	2045-481	2	TETHER,SEAT				
22	8102-314	2	CAPSCREW HH 7/16-14 UNC x1.25 GD8				
23	8050-262	4	WASHER,WROUGHT,5/16,STD,ZN				
24	8040-426	4	NUT,HEX,NYLOCK,5/16-18 UNC,ZN				
25	2075-938	1	STOP LAPBAR LH				
26	0200-320	2	WLMT,STOP LAP BAR				
27	2075-939	1	STOP LAPBAR RH				
28	8102-040	1	CAPSCREW,HH,1/4-20 UNCx.75,GD8 ZN				
29	8050-222	4	WASHER,WROUGHT,1/4,STD,ZN				
30	2075-485	1	PANEL REAR RH E/H CONTROLS				
31	0090-117	14	CAPSCREW TH PH 10-24 X .75 SS				
32	2076-054	1	CUPHOLDER				
33	2075-102	1	COVER PANEL STORAGE				
34	2075-487	1	PANEL FRONT RH E/H CONTROLS				
35	2045-636	3	NET CARGO				
36	2075-832	1	BIN STORAGE				
37	0090-261	1	FOAM MEMORY 1.00 x 1.00 x .54"				
38	2076-015	1	COVER ROPS FIREWALL				
39	0090-084	2	CLIP RETAINING				
40	8040-366	3	NUT,HEX,NYLOCK,1/4-20 UNC,ZN				



CAB INTERIOR (Serial #: 00760-00762)

Section 2

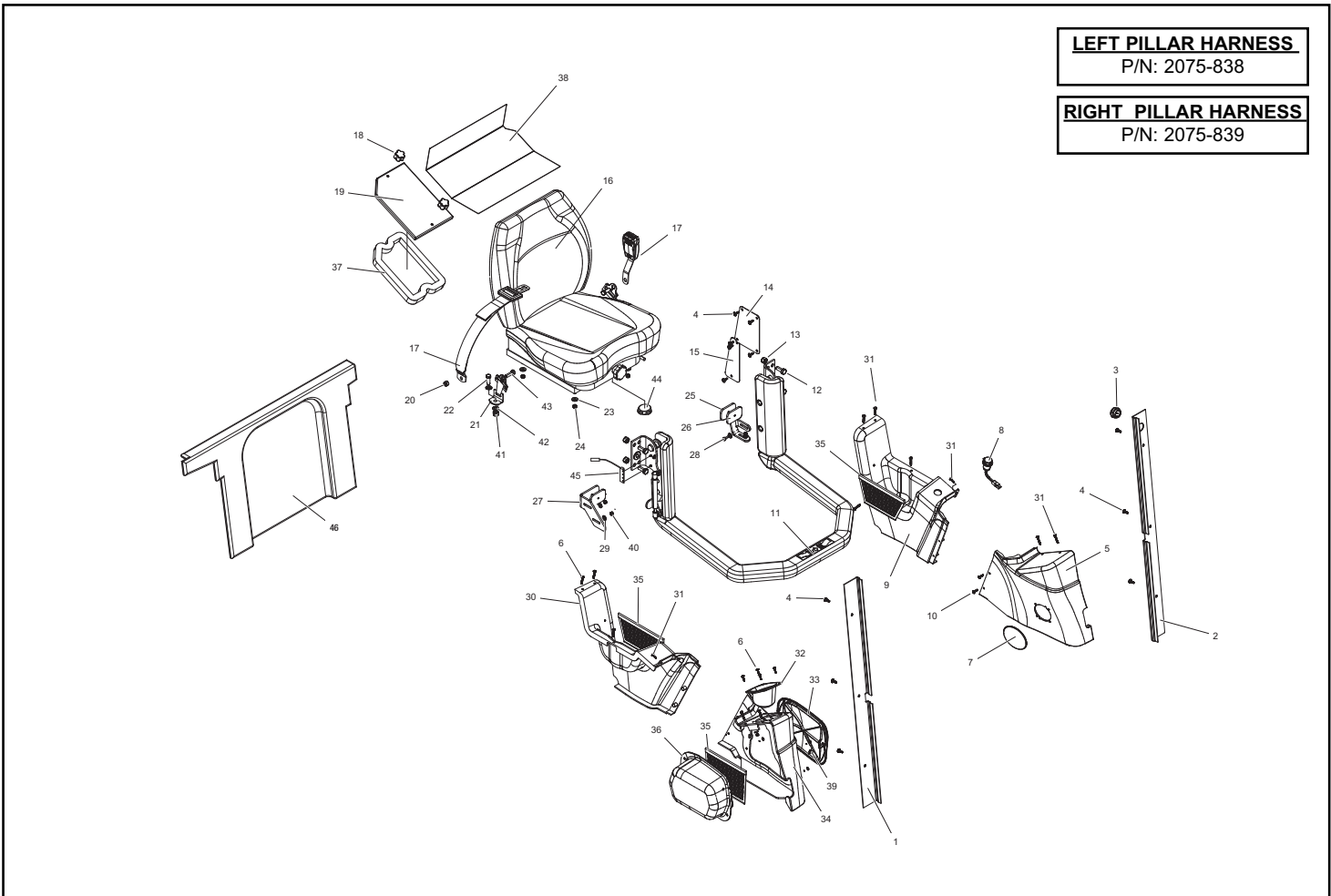
REF. NO.	PART NUMBER	QTY.	DESCRIPTION	REF. NO.	PART NUMBER	QTY.	DESCRIPTION
1	0090-405	1	FOAM MEMORY - 1.00 X 1.00 X 39				
2	2076-288	1	COVER FUSE PANEL				
3	0090-521	2	KNOB, FUSE PANEL COVER				
4	2045-636	1	NET CARGO				
5	2095-711	1	PANEL, REAR LH				
6	0200-265	1	CAP,HOUSING,POWER SOURCE				
7	0200-264	1	HOUSING,POWER SOURCE				
8	0090-128	12	SCREW TH PH 10-24 x 5 SS				
9	2075-222	1	PLUG HEATER VENT				
10	2095-614	1	PANEL FRONT LH				
11	0090-092	6	SCREW TH PH 1/4-20 x .75 ZN				
12	2095-512	1	COVER POST RH				
13	2095-511	1	COVER POST LH				
14	0090-268	1	BUZZER				
15	0304-019	1	ASSY,LAP BAR				
16	8102-404	4	CAPSCREW,HH 1/2-13UNCx1.25 GD8 ZN				
17	8040-606	4	NUT,HEX,NYLOCK,1/2-13 UNC,ZN				
18	8060-648	1	RIVET,BLIND,3/16 x .575				
19	0200-321	1	PAD,RUBBER,W/ADHESIVE				
20	7005-192	1	LAPBAR STOP, LH				
21	0090-522	1	STOP, LAPBAR				
22	0300-485	1	NUT,HEX 5-16-18 UNC ZN				
23	2095-598	1	PANEL FRONT RH				
24	0090-305	4	RETAINER PUSH TYPE .250 DIA				
25	2095-613	1	CUP HOLDER				
26	0090-117	4	CAPSCREW TH PH 10-24 X .75 SS				
27	0090-163	6	NUT U 10-24 UNC				
28	2095-712	1	PANEL, REAR LH				
29	8050-222	2	WASHER,WROUGHT,1/4,STD,ZN				
30	8040-366	2	NUT,HEX,NYLOCK,1/4-20 UNC,ZN				
31	0090-270	8	T-NUT 6-32 UNC ZN				
32	0090-305	12	RETAINER PUSH TYPE .250 DIA				
33	2075-637	1	LIGHT DOME				
34	2030-409	1	MIRROR REAR VIEW 3X8				
35	0200-317	1	PLUG,HOLE,1/4"				
36	2045-829	1	PLUG FINISHING 1.00				
37	2045-817	1	PLUG FINISHING .5				
38	2075-817	1	ESCHION HVAC CONTROL BLANK				
39	2095-687	2	PLUG, HOLE- 4.0"				
40	0403-682	1	SWITCH WINDSHIELD WASHER				



CAB INTERIOR (Serial #: 00763-Current)

Section 2

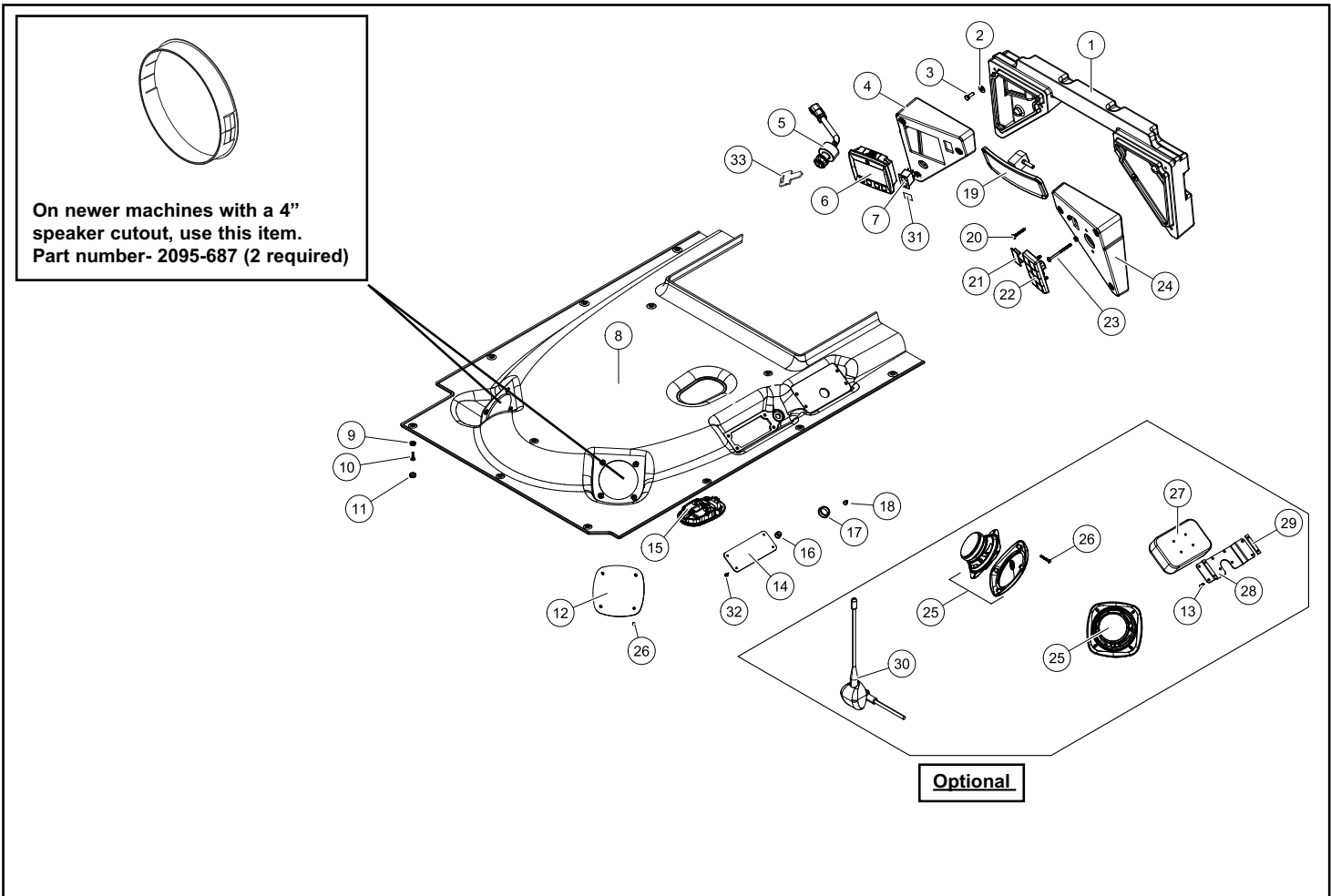
REF. NO.	PART NUMBER	QTY.	DESCRIPTION	REF. NO.	PART NUMBER	QTY.	DESCRIPTION
1	2075-621	1	COVER POST RH	41	8040-546	2	NUT,HEX,NYLOCK,7/16-14 UNC,ZN
2	2075-620	1	COVER POST LH	42	8050-320	4	WASHER,WROUGHT,7/16,SAE,ZN
3	0090-268	1	BUZZER	43	8102-314	2	CAPSCREW HH 7/16-14 UNC x1.25 GD8
4	8102-040	12	CAPSCREW,HH,1/4-20 UNCx.75,GD8 ZN	44	0304-515	1	SWITCH,SEAT
5	2075-486	1	PANEL FRONT LH E/H CONTROLS	45	0304-473	1	SENSOR,SWITCH,LAPBAR
6	0090-305	6	RETAINER PUSH TYPE .250 DIA	46	2076-239	1	PANEL, BACK
7	2075-222	1	PLUG HEATER VENT				
8	2045-414	1	OUTLET POWER				
9	2075-484	1	PANEL REAR LH E/H CONTROLS				
10	0090-128	4	SCREW TH PH 10-24 x 5 SS				
11	0304-019	1	ASSY,LAP BAR				
12	8102-404	4	CAPSCREW,HH 1/2-13UNCx1.25 GD8 ZN				
13	8040-606	4	NUT,HEX,NYLOCK,1/2-13 UNC,ZN				
14	2075-818	1	COVER FRESH AIR				
15	2075-819	1	COVER RECIRC AIR				
16	2045-452	1	SEAT,SUSP,60MM				
17	2076-409	1	BELT,SEAT 2" ADJUSTABLE				
18	0090-239	2	KNOB 1/5-4-20 UNC 2B				
19	2075-810	1	COVER FUSE PANEL				
20	8040-546	2	NUT,HEX,NYLOCK,7/16-14 UNC,ZN				
21	2045-481	2	TETHER,SEAT				
22	8102-314	2	CAPSCREW HH 7/16-14 UNC x1.25 GD8				
23	8050-262	4	WASHER,WROUGHT,5/16,STD,ZN				
24	8040-426	4	NUT,HEX,NYLOCK,5/16-18 UNC,ZN				
25	2075-938	1	STOP LAPBAR LH				
26	0200-320	2	WLMT,STOP LAP BAR				
27	2075-939	1	STOP LAPBAR RH				
28	8102-040	1	CAPSCREW,HH,1/4-20 UNCx.75,GD8 ZN				
29	8050-222	4	WASHER,WROUGHT,1/4,STD,ZN				
30	2075-485	1	PANEL REAR RH E/H CONTROLS				
31	0090-117	14	CAPSCREW TH PH 10-24 X .75 SS				
32	2076-054	1	CUPHOLDER				
33	2075-102	1	COVER PANEL STORAGE				
34	2075-487	1	PANEL FRONT RH E/H CONTROLS				
35	2045-636	3	NET CARGO				
36	2075-832	1	BIN STORAGE				
37	0090-261	1	FOAM MEMORY 1.00 x 1.00 x 54"				
38	2076-015	1	COVER ROPS FIREWALL				
39	0090-084	2	CLIP RETAINING				
40	8040-366	3	NUT,HEX,NYLOCK,1/4-20 UNC,ZN				



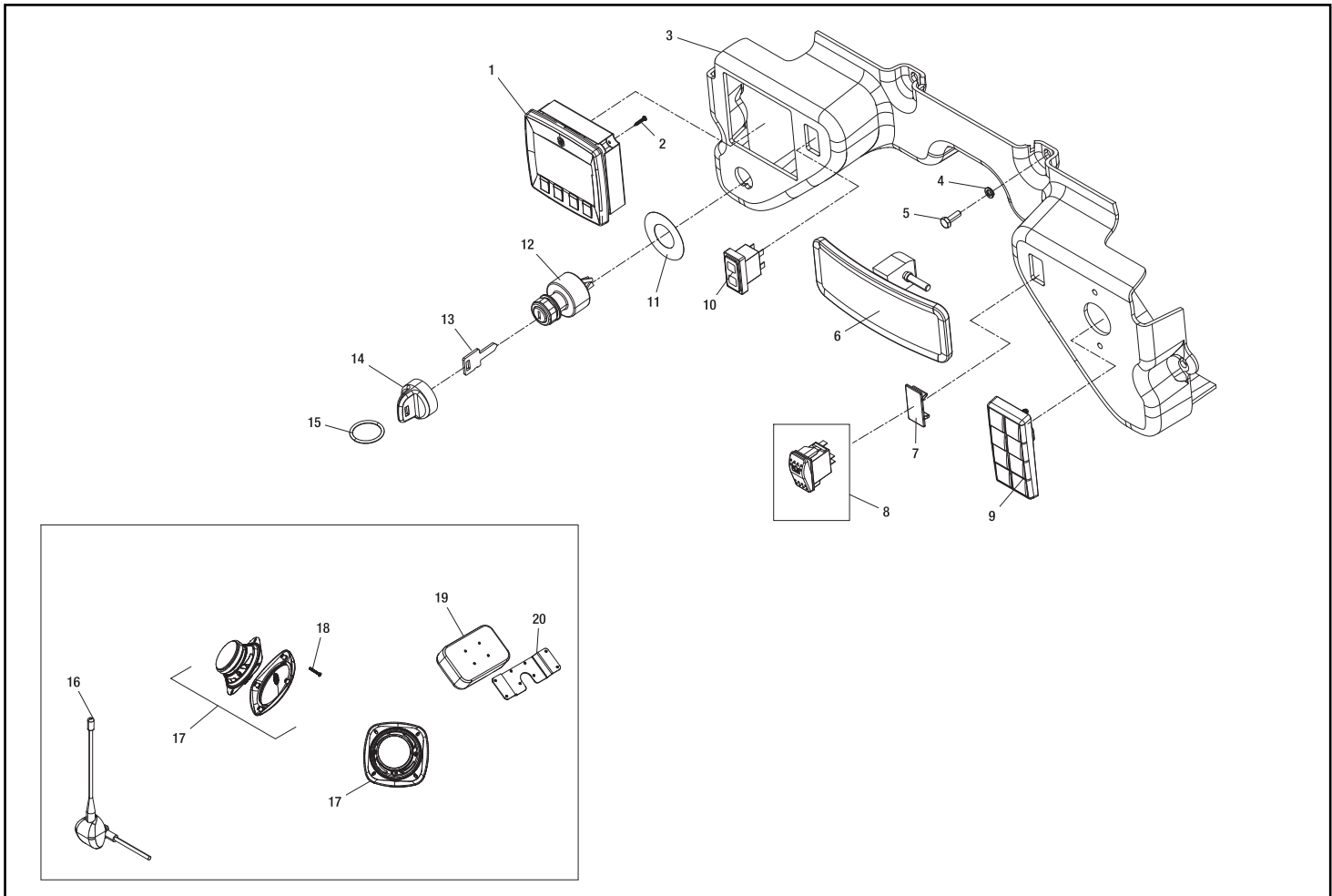
HEADLINER / DASH PODS (Serial #: 00101-00759)

Section 3

REF. NO.	PART NUMBER	QTY.	DESCRIPTION	REF. NO.	PART NUMBER	QTY.	DESCRIPTION
1	2075-768	1	MOUNT INSTRUMENT POD				
2	8050-222	4	WASHER,WROUGHT,1/4,STD,ZN				
3	8102-040	4	CAPSCREW,HH,1/4-20 UNCx.75,GD8 ZN				
4	2075-582	1	COVER POD INSTRUMENT LH				
5	0304-028	1	SWITCH,IGNITION,RC 154-3197				
6	0090-174	1	DISPLAY SAUER DP-200				
7	2075-749	1	INDICATOR RABBIT/GLOW PLUG VP1HN-622AA-				
8	2076-305	1	HEADLINER				
9	0090-238	12	BASE CAP FINISHING				
10	0090-117	12	CAPSCREW TH PH 10-24 X .75 SS				
11	0090-237	12	CAP FINISHING GREY				
12	2076-055	2	SPEAKER COVER				
13	8008-217	4	SCREW,MACH#6-32x0.5,PH,PAN				
14	2075-817	1	ESCHION HVAC CONTROL BLANK				
15	2075-637	1	LIGHT DOME				
16	2045-817	1	PLUG FINISHING .5				
17	2045-829	1	PLUG FINISHING 1.00				
18	0200-317	4	PLUG,HOLE,1/4"				
19	2030-409	1	MIRROR REAR VIEW 3X8				
20	0090-185	4	SCREW TH PH 10-24 x 1.5 ZNC				
21	0310-138	1	PLUG				
22	2075-747	1	KEYPAD 8 BUTTON				
23	0090-189	2	SCREW TH PH 10-24 x 3.0 ZNC				
24	2075-585	1	COVER POD INSTRUMENT RH				
25	2075-703	2	SPEAKER MINI 3.5" HEAVY DUTY				
26	8008-222	8	SCREW MACH #6-32X1.0 PH PAN				
27	2075-702	1	RADIO MINI WP AM/FM/WX BAND				
28	2076-047	1	MOUNT RADIO				
29	2075-821	2	PLATE MOUNTING HVAC CONTROL				
30	2075-704	1	ANTENNA 6" MINI				
31	2075-959	1	DECAL PRE START PT100				
32	0090-305	4	RETAINER PUSH TYPE .250 DIA				
33	2045-432	1	KEY IGNITION				

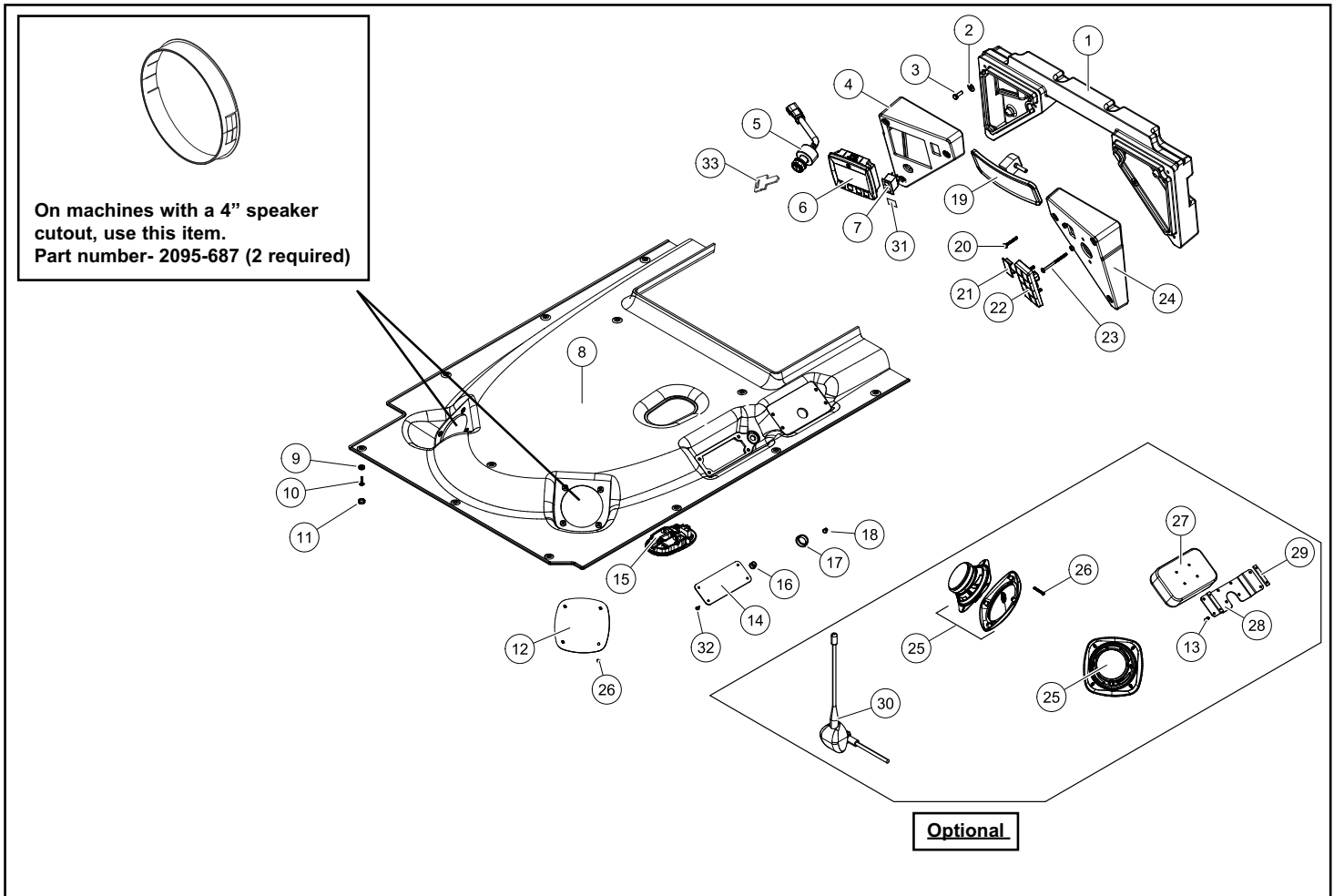


REF. NO.	PART NUMBER	QTY.	DESCRIPTION	REF. NO.	PART NUMBER	QTY.	DESCRIPTION
1	0090-174	1	DISPLAY SAUER DP-200				
2	0090-478	4	SCREW PPH #4 x 5/8" SELF TAP				
3	2095-311	1	PANEL GAUGE				
4	0090-371	4	WASHER SPRING LOCK 1/4 BLK ZN				
5	0090-370	4	CAPSCREW HH 1/4-20 UNCx.75 GD5 BLK ZN				
6	2030-409	1	MIRROR REAR VIEW 3X8				
7	0310-138	1	PLUG				
8	0310-133	1	SWITCH,BEACON				
9	2075-747	1	KEYPAD 8 BUTTON				
10	2075-749	1	INDICATOR RABBIT/GLOW PLUG				
11	2030-431	1	DECAL IGNITION MOLDED KEY				
12	0304-028	1	SWITCH,IGNITION				
13	2045-432	2	KEY IGNITION				
14	2045-792	1	COVER KEY IGNITION				
15	0304-551	1	RING,KEY				
16	2075-704	1	ANTENNA 6" MINI				
17	2075-703	2	SPEAKER MINI 3.5" HEAVY DUTY				
18	8008-222	8	SCREW MACH #6-32X1.0 PH PAN				
19	2075-702	1	RADIO MINI WP AM/FM/WX BAND				



HEADLINER / DASH PODS (Serial #: 00763-Current)

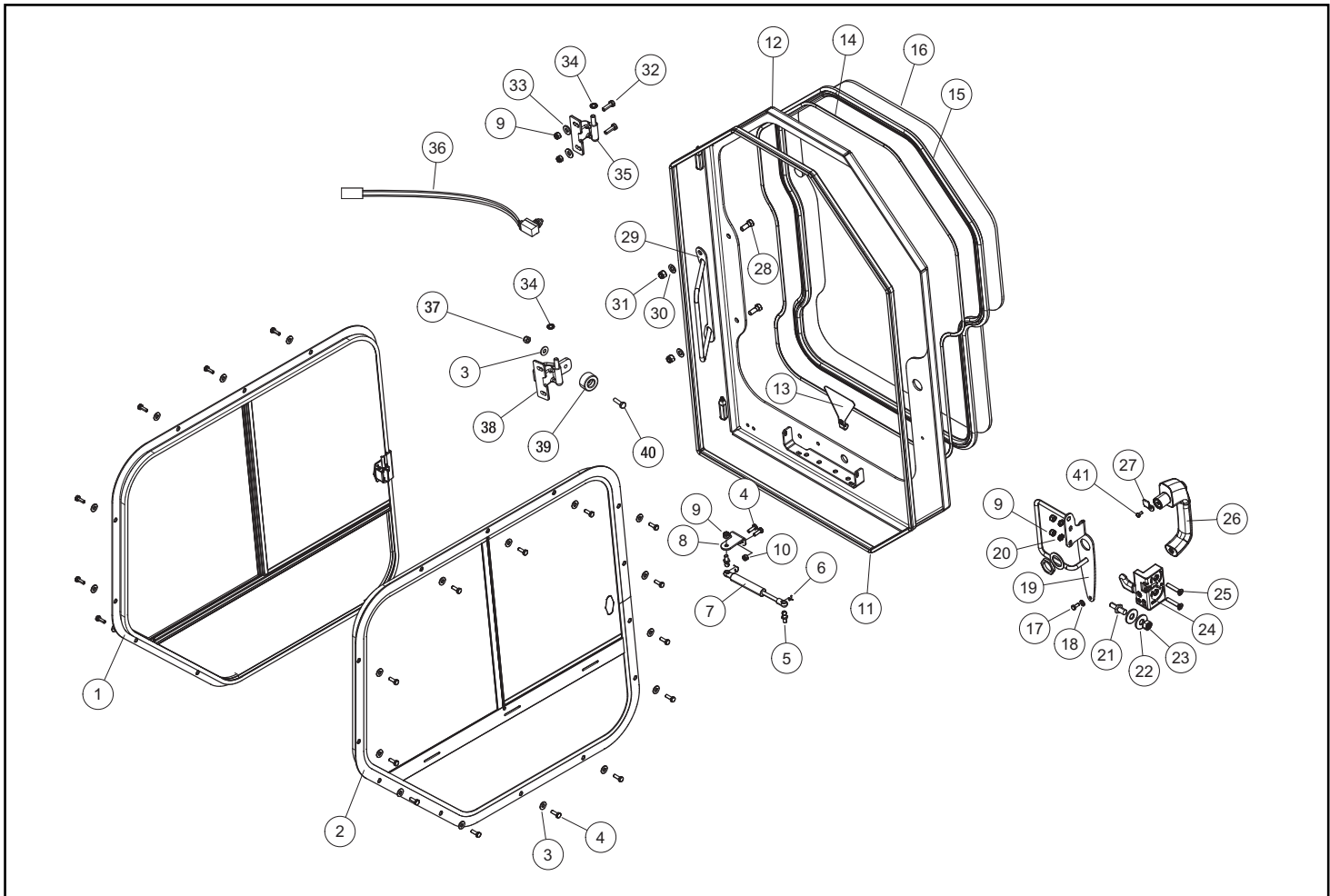
REF. NO.	PART NUMBER	QTY.	DESCRIPTION	REF. NO.	PART NUMBER	QTY.	DESCRIPTION
1	2075-768	1	MOUNT INSTRUMENT POD				
2	8050-222	4	WASHER,WROUGHT,1/4,STD,ZN				
3	8102-040	4	CAPSCREW,HH,1/4-20 UNCx.75,GD8 ZN				
4	2075-582	1	COVER POD INSTRUMENT LH				
5	0304-028	1	SWITCH,IGNITION,RC 154-3197				
6	0090-174	1	DISPLAY SAUER DP-200				
7	2075-749	1	INDICATOR RABBIT/GLOW PLUG VP1HN-622AA-				
8	2076-305	1	HEADLINER				
9	0090-238	12	BASE CAP FINISHING				
10	0090-117	12	CAPSCREW TH PH 10-24 X .75 SS				
11	0090-237	12	CAP FINISHING GREY				
12	2076-055	2	SPEAKER COVER				
13	8008-217	4	SCREW,MACH#6-32x0.5,PH,PAN				
14	2075-817	1	ESCHION HVAC CONTROL BLANK				
15	2075-637	1	LIGHT DOME				
16	2045-817	1	PLUG FINISHING .5				
17	2045-829	1	PLUG FINISHING 1.00				
18	0200-317	4	PLUG,HOLE,1/4"				
19	2030-409	1	MIRROR REAR VIEW 3X8				
20	0090-185	4	SCREW TH PH 10-24 x 1.5 ZNC				
21	0310-138	1	PLUG				
22	2075-747	1	KEYPAD 8 BUTTON				
23	0090-189	2	SCREW TH PH 10-24 x 3.0 ZNC				
24	2075-585	1	COVER POD INSTRUMENT RH				
25	2075-703	2	SPEAKER MINI 3.5" HEAVY DUTY				
26	8008-222	8	SCREW MACH #6-32X1.0 PH PAN				
27	2075-702	1	RADIO MINI WP AM/FM/WX BAND				
28	2076-047	1	MOUNT RADIO				
29	2075-821	2	PLATE MOUNTING HVAC CONTROL				
30	2075-704	1	ANTENNA 6" MINI				
31	2075-959	1	DECAL PRE START PT100				
32	0090-305	4	RETAINER PUSH TYPE .250 DIA				
33	2045-432	1	KEY IGNITION				



CAB DOOR / WINDOWS (OPTIONAL) (Serial #: 00101-00759)

Section 4

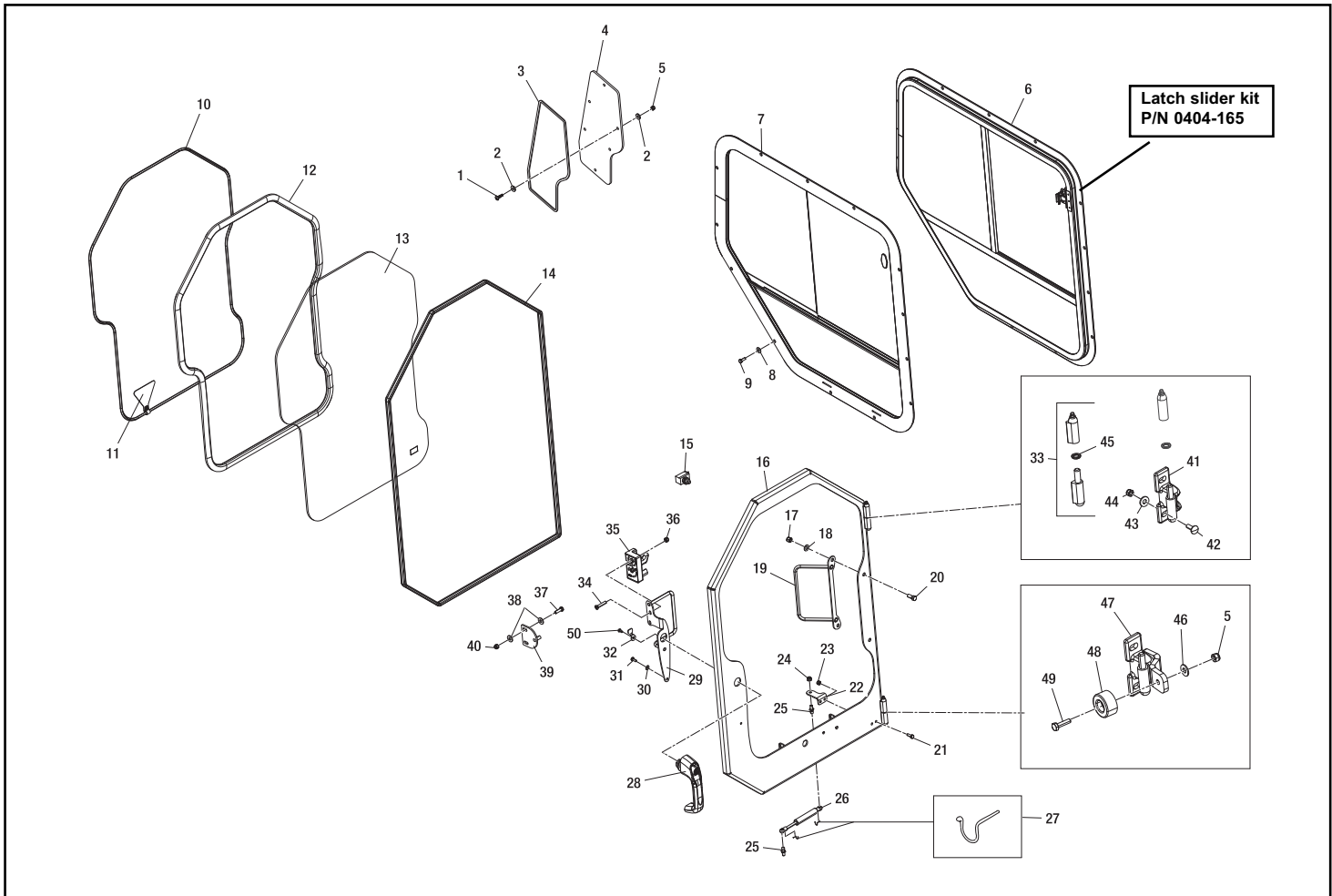
REF. NO.	PART NUMBER	QTY.	DESCRIPTION	REF. NO.	PART NUMBER	QTY.	DESCRIPTION
1	0404-344	1	WINDOW SIDE LH	41	0090-622	1	SCREW, MACH, PH PAN HD, M6-1.0 X 10MM CLR ZNC
2	0404-345	1	WINDOW SIDE RH				
3	8050-222	27	WASHER, WROUGHT, 1/4, STD, ZN				
4	8102-040	28	CAPSCREW, HH, 1/4-20 UNC x .75, GD8 ZN				
5	0304-495	2	STUD, BALL, 10MM STUD				
6	0200-545	2	CLIP, SAFETY, GAS SPRING				
7	0403-870	1	SPRING DAMPENED DOOR				
8	0403-801	0	MOUNT DOOR SPRING				
9	8040-426	9	NUT, HEX, NYLOCK, 5/16-18 UNC, ZN				
10	8040-366	2	NUT, HEX, NYLOCK, 1/4-20 UNC, ZN				
11	0090-123	10	TRIM EDGE WITH 3/8 BULB HD				
12	0403-787	1	WLMT DOOR W/ HINGES				
13	0201-748	1	ASSY, TAG, EMERGENCY EXIT				
14	1059-015	9'	SEAL, WINDOW AS1456				
15	0310-495	9'	STRIP, LOCK AS-937				
16	0403-797	1	WINDOW DOOR TEMPERED GLASS				
17	0304-486	1	CAPSCREW, HH, M6-1.0 x 14				
18	8050-240	1	WASHER, STAINLESS, 1/4"				
19	0403-793	1	WLMT DOOR LATCH MOUNT				
20	8051-242	2	WASHER, SPRING LOCK, 5/16, ZN				
21	2075-408	1	STRIKE				
22	8050-347	2	WASHER, WROUGHT, 1/2, STD, ZN				
23	0090-135	1	NUT NYLOCK M12 X 1.0 ZC				
24	2075-407	1	HANDLE INSIDE				
25	0090-257	2	SCREW FH PH 5/16 x 1.75 ZN				
26	2075-406	1	HANDLE PUSH BUTTON				
27	0403-869	1	CATCH DOOR LATCH				
28	8102-222	2	CAPSCREW, HH, 3/8-16 UNC x 1.0, GD8, ZN				
29	0403-969	1	WLMT GRAB HANDLE - DOOR				
30	8050-277	2	WASHER, WROUGHT, 3/8, SAE, ZN				
31	8040-486	2	NUT, HEX, NYLOCK, 3/8-16 UNC, ZN				
32	8011-132	4	BOLT, CARRIAGE, 5/16-18 UNC x 1.0,				
33	8050-262	4	WASHER, WROUGHT, 5/16, STD, ZN				
34	0403-503	2	BUSHING HINGE 3-15/16 W/GRS ZRK				
35	0403-481	2	ASSY HINGE DOOR CAST LH				
36	0403-896	1	SWITCH DOOR PUSH BUTTON				
37	8040-366	1	NUT, HEX, NYLOCK, 1/4-20 UNC, ZN				
38	0404-463	1	WLMT HINGE DOOR CAST W/STOP				
39	0090-049	1	BUMPER RUBBER				
40	8102-042	1	CAPSCREW, HH 1/4-20 UNC 1" GD8				



CAB DOOR / WINDOWS (OPTIONAL) (Serial #: 00760-00762)

Section 4

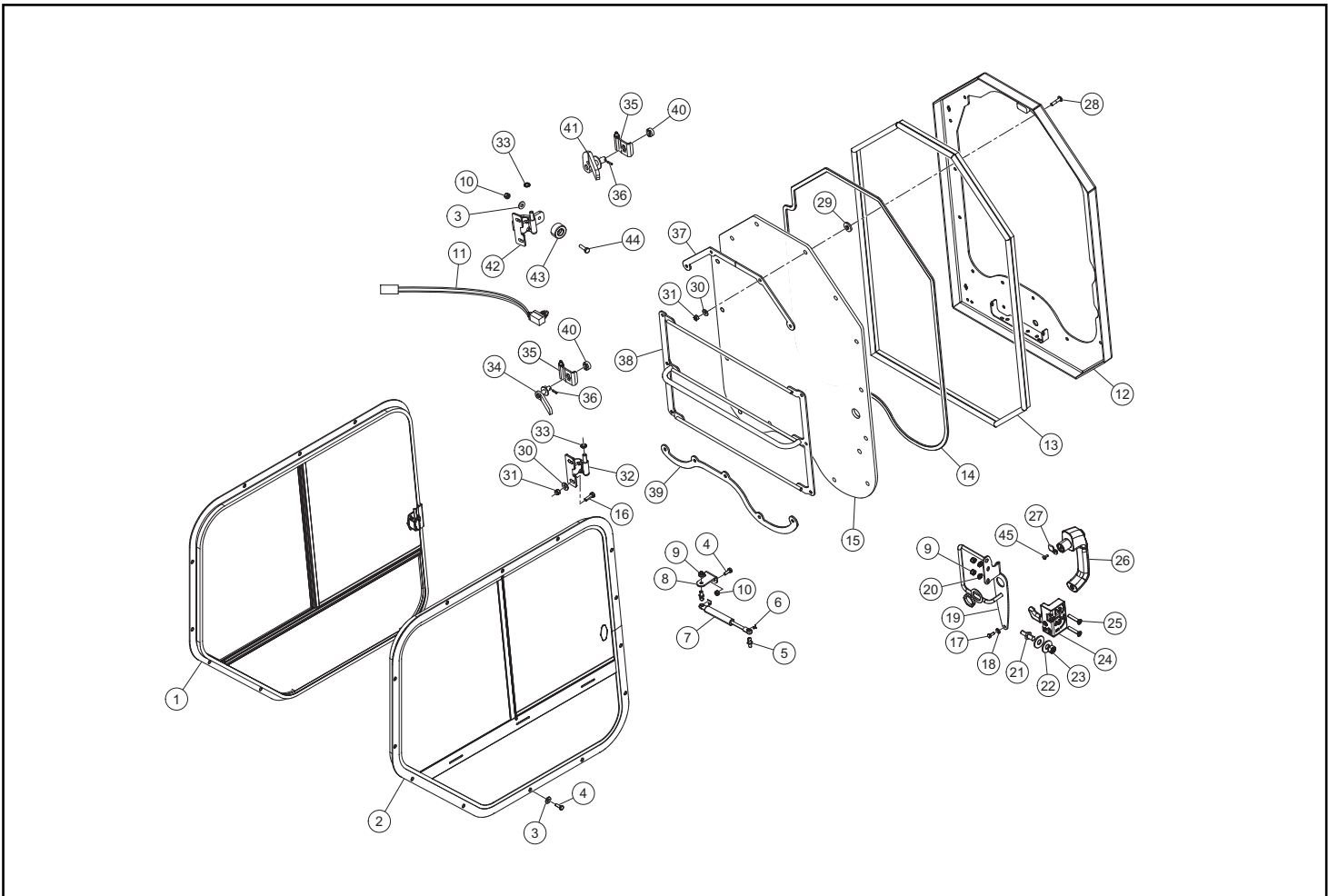
REF. NO.	PART NUMBER	QTY.	DESCRIPTION	REF. NO.	PART NUMBER	QTY.	DESCRIPTION
1	8102-042	6	CAPSCREW, HH 1/4-20UNC 1" GD8	41	0403-481	2	ASSY HINGE DOOR CAST LH
2	0090-325	24	WASHER 3/4"-5/16" RUBBER BONDED	42	8011-132	4	BOLT,CARRIAGE,5/16-18 UNCx1.0,
3	7005-569	1	SEAL	43	8050-262	4	WASHER,WROUGHT,5/16,STD,ZN
4	7005-568	1	GLASS SIDE PANEL	44	8040-426	4	NUT,HEX,NYLOCK,5/16-18 UNC,ZN
5	8040-366	7	NUT,HEX,NYLOCK,1/4-20 UNC,ZN	45	0403-503	2	BUSHING WELD HINGE 3-15/16 W/ GRS
6	0404-344	1	WINDOW LH	46	8050-222	1	WASHER
7	0404-345	1	WINDOW RH	47	0404-463	1	WLMT HINGE DOOR CAST W/STOP
8	0090-372	26	WASHER WROUGHT 1/4 STD BLK ZN	48	0090-049	1	BUMPER, RUBBER
9	0090-370	26	CAPSCREW HH 1/4-20 UNCx.75 GD5 BLK	49	8102-042	1	CAPSCREW, HH 1/4-20UNC 1" GD8
10	0403-787	1	ZIP	50	0090-622	1	SCREW, MACH, PH PAN HD, M6-1.0 X 10MM CLR ZNC
11	0201-748	1	ASSY,TAG,EMERGENCY EXIT				
12	0403-787	1	SEAL				
13	0403-797	1	WINDOW DOOR TEMPERED GLASS				
14	0090-575	1	SEAL				
15	0403-896	1	SWITCH DOOR PUSH BUTTON w/2				
16	0403-787	1	WLMT DOOR W/ HINGES				
17	8040-486	2	NUT,HEX,NYLOCK,3/8-16 UNC,ZN				
18	8050-277	2	WASHER,WROUGHT,3/8,SAE,ZN				
19	0403-969	1	WLMT GRAB HANDLE - DOOR				
20	8102-222	2	CAPSCREW,HH,3/8-16 UNCx1.0.GD8,ZN				
21	8102-040	2	CAPSCREW,HH,1/4-20 UNCx.75.GD8 ZN				
22	0403-801	1	MOUNT DOOR SPRING				
23	8040-366	2	NUT,HEX,NYLOCK,1/4-20 UNC,ZN				
24	8040-426	2	NUT,HEX,NYLOCK,5/16-18 UNC,ZN				
25	0304-495	2	STUD,BALL, 10MM STUD				
26	0403-870	1	SPRING DAMPENED DOOR				
27	0200-545	2	CLIP, SAFETY,GAS SPRING				
28	2075-406	1	HANDLE PUSH BUTTON				
29	0403-793	1	WLMT DOOR LATCH MOUNT				
30	8050-240	1	WASHER,STAINLESS,1/4"				
31	0304-486	1	CAPSCREW,HH,M6-1.0x14				
32	0403-869	1	CATCH DOOR LATCH				
33	0403-500	2	HINGE WELD 3-5/16 W/ GREASE ZERK				
34	0090-257	2	SCREW FH PH 5/16 x 1.75 ZN				
35	2075-407	1	HANDLE INSIDE				
36	8040-426	2	NUT,HEX,NYLOCK,5/16-18 UNC,ZN				
37	8102-132	2	CAPSCREW,HH,5/16-18UNCx1.0 GD8 ,ZN				
38	8050-262	4	WASHER,WROUGHT,5/16,STD,ZN				
39	7005-800	1	WLMT CATCH PLATE				
40	8040-426	2	NUT,HEX,NYLOCK,5/16-18 UNC,ZN				



CAB DOOR / WINDOWS (OPTIONAL) (Serial #: 00763-Current)

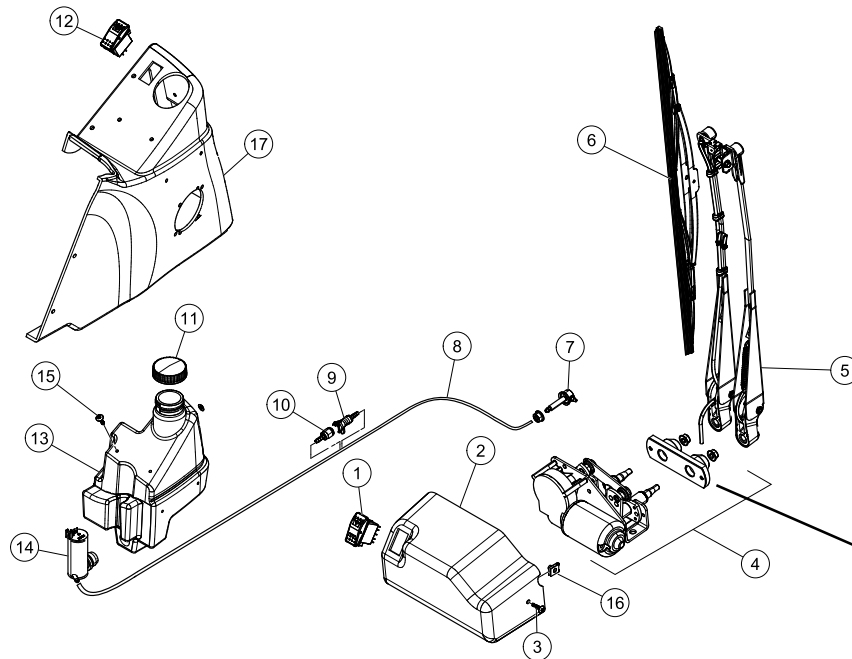
Section 4

REF. NO.	PART NUMBER	QTY.	DESCRIPTION	REF. NO.	PART NUMBER	QTY.	DESCRIPTION
1	0404-344	1	WINDOW SIDE LH	41	2076-406	1	CLAMP HANDLE OFFSET FORESTRY DOOR
2	0404-345	1	WINDOW SIDE RH	42	0404-463	1	WLMT HINGE DOOR CAST W/STOP
3	8050-222	27	WASHER,WROUGHT,1/4,STD,ZN	43	0090-049	1	BUMPER RUBBER
4	8102-040	28	CAPSCREW,HH,1/4-20 UNCx.75,GD8 ZN	44	8102-042	1	CAPSCREW, HH 1/4-20UNC 1" GD8
5	0304-495	2	STUD,BALL,10MM STUD	45	0090-622	1	MACH, PH PAN HD, M6-1.0 X 10MM CLR ZNC
6	0200-545	2	CLIP,SAFETY,GAS SPRING				
7	0403-870	1	SPRING DAMPENED DOOR				
8	0403-801	0	MOUNT DOOR SPRING				
9	8040-426	5	NUT,HEX,NYLOCK,5/16-18 UNC,ZN				
10	8040-366	3	NUT,HEX,NYLOCK,1/4-20 UNC,ZN				
11	0403-896	1	SWITCH DOOR PUSH BUTTON				
12	2076-265	1	WELDMENT DOOR FORESTRY				
13	2076-266	1	SEAL DOOR FORESTRY				
14	2076-252	1	SEAL POLY DOOR FORESTRY				
15	2076-251	1	POLY DOOR FORESTRY				
16	0090-342	4	SCREW MACH HSBH 3/8-16 x 1-3/4 BLK				
17	0304-486	1	CAPSCREW,HH,M6-1.0x14				
18	8050-240	1	WASHER,STAINLESS,1/4"				
19	0403-793	1	WLMT DOOR LATCH MOUNT				
20	8051-242	2	WASHER,SPRING LOCK,5/16,ZN				
21	2075-408	1	STRIKE				
22	8050-347	2	WASHER,WROUGHT,1/2,STD,ZN				
23	0090-135	1	NUT NYLOCK M12 X 1.0 ZC				
24	2075-407	1	HANDLE INSIDE				
25	0090-257	2	SCREW FH PH 5/16 x 1.75 ZN				
26	2075-406	1	HANDLE PUSH BUTTON				
27	0403-869	1	CATCH DOOR LATCH				
28	0090-341	15	SCREW MACH HSBH 3/8-16 x 1-1/2 BLK				
29	2045-522	15	WASHER MOUNTING				
30	0090-340	19	WASHER, FLAT 5/16 DIA BLK				
31	0090-339	19	NUT HEX-SL 3/8-16 BLK				
32	2076-258	2	WELDMENT HINGE LOWER DOOR FORESTRY				
33	2076-259	2	WASHER HINGE DOOR FORESTRY				
34	2076-264	1	CLAMP HANDLE DOOR FORESTRY				
35	2076-257	2	WELDMENT HINGE UPPER DOOR FORESTRY				
36	0090-345	2	PIN ROLL 3/16 X 3/4				
37	2076-256	1	RETAINER POLY UPPER DOOR FORESTRY				
38	2076-254	1	RETAINER POLY W/ HANDLE DOOR FORESTRY				
39	2076-255	1	RETAINER POLY BOTTOM DOOR FORESTRY				
40	2076-263	2	LOCK CAM LOWER DOOR FORESTRY				



WINDSHIELD WIPER (OPTIONAL) (Serial #: 00101-00759)

REF. NO.	PART NUMBER	QTY.	DESCRIPTION	REF. NO.	PART NUMBER	QTY.	DESCRIPTION
1	0403-986	1	SWITCH WIPER - 2 SPEED				
2	0403-985	1	COVER, WIPER				
3	0090-117	2	CAPSCREW TH PH 10-24 X .75 SS				
4	0403-995	1	MOTOR WIPER 45 PANTOGRAPH				
5	0403-996	1	ARM WIPER 550 MM PANTOGRAPH WET				
6	0403-997	1	BLADE WIPER 650 MM				
7	0403-998	1	CONNECTOR 90° ELBOW METAL				
8	0090-252	4	TUBING PVC 6MM OD x 4MM ID				
9	0403-757	1	COUPLER FEMALE WASHER LINE				
10	0403-756	1	COUPLER MALE WASHER LINE				
11	0403-715	1	CAP WASHER RESERVOIR				
12	0403-682	1	SWITCH WINDSHIELD WASHER				
13	0403-712	1	BOTTLE WASHER				
14	0403-713	1	PUMP WASHER RESERVOIR				
15	0090-128	6	SCREW TH PH 10-24 x 5 SS				
16	0090-163	2	NUT U 10-24 UNC				
17	2075-642	1	PANEL FRONT LH E/H W/ WASHER TANK				



**Plate assembly- 0404-398
Must be ordered as a
complete assembly.
Individual parts cannot
be ordered seperately.**

WINDSHIELD WIPER (OPTIONAL) (Serial #: 00760-00762)

REF. NO.	PART NUMBER	QTY.	DESCRIPTION	REF. NO.	PART NUMBER	QTY.	DESCRIPTION
1	0403-682	1	SWITCH WINDSHIELD WASHER				
2	0090-252	1	TUBING PVC 5/16 OD x 3/16 ID				
3	0403-713	1	PUMP WASHER RESERVOIR				
4	0403-715	1	CAP WASHER RESERVOIR				
5	0403-712	1	BOTTLE WASHER				
6	0403-756	1	COUPLER MALE WASHER LINE				
7	0403-757	1	COUPLER FEMALE WASHER LINE				
8	0403-998	1	CONNECTOR 90° ELBOW METAL				
9	0090-117	2	CAPSCREW TH PH 10-24 X .75 SS				
10	0090-163	2	NUT U 10-24 UNC				
11	0403-997	1	BLADE WIPER 650 MM				
12	0403-996	1	ARM WIPER 550 MM PANTOGRAPH WET				
13	0403-995	1	MOTOR WIPER 45 PANTOGRAPH				
14	0403-985	1	COVER, WIPER				
15	0404-097	1	SWITCH WIPER 2 SPEED FLUSH MOUNT				
16	0090-128	4	SCREW TH PH 10-24 x 5 SS				

Field Install Wiper Kit - P/N: 7800-081
Includes all items listed.

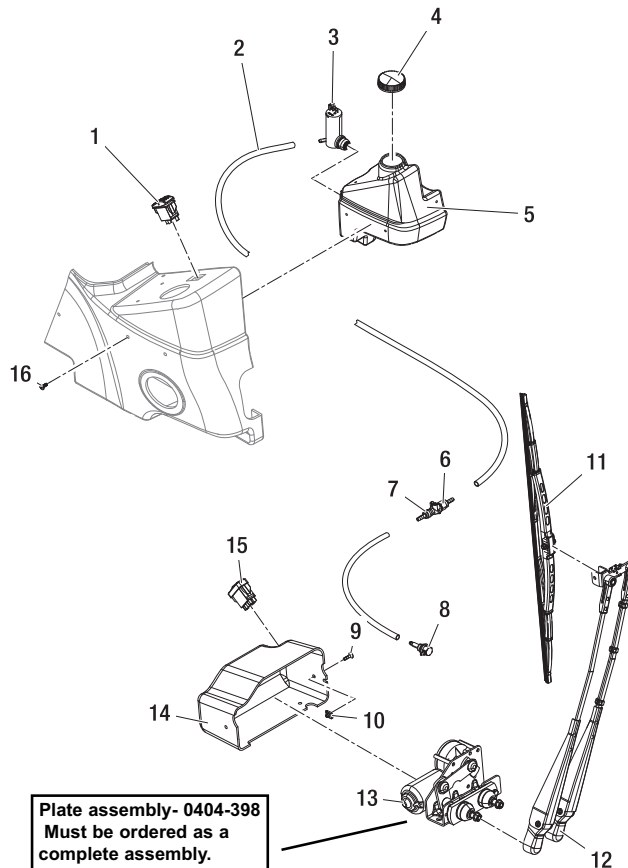
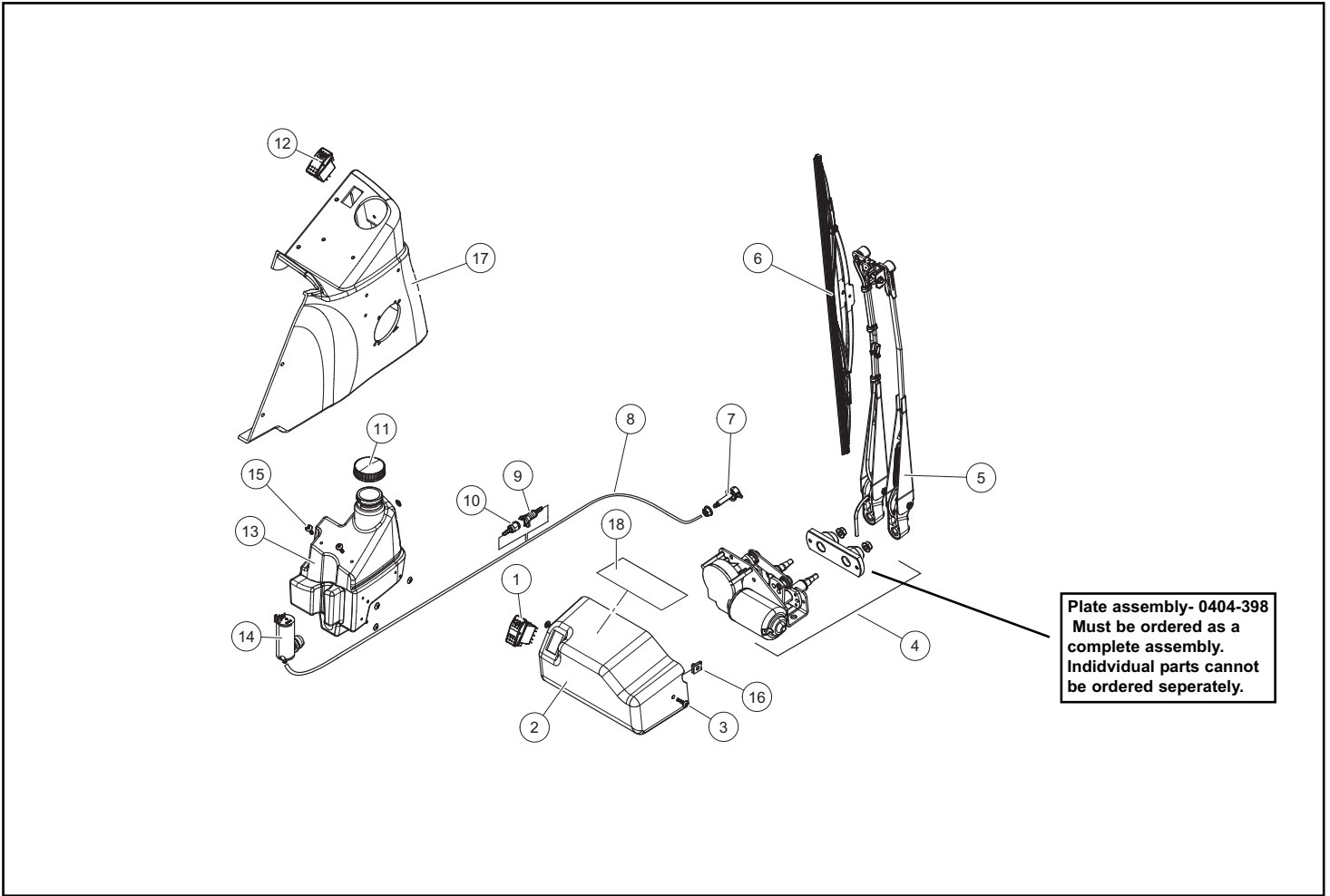


Plate assembly- 0404-398
Must be ordered as a complete assembly. Individual parts cannot be ordered separately.

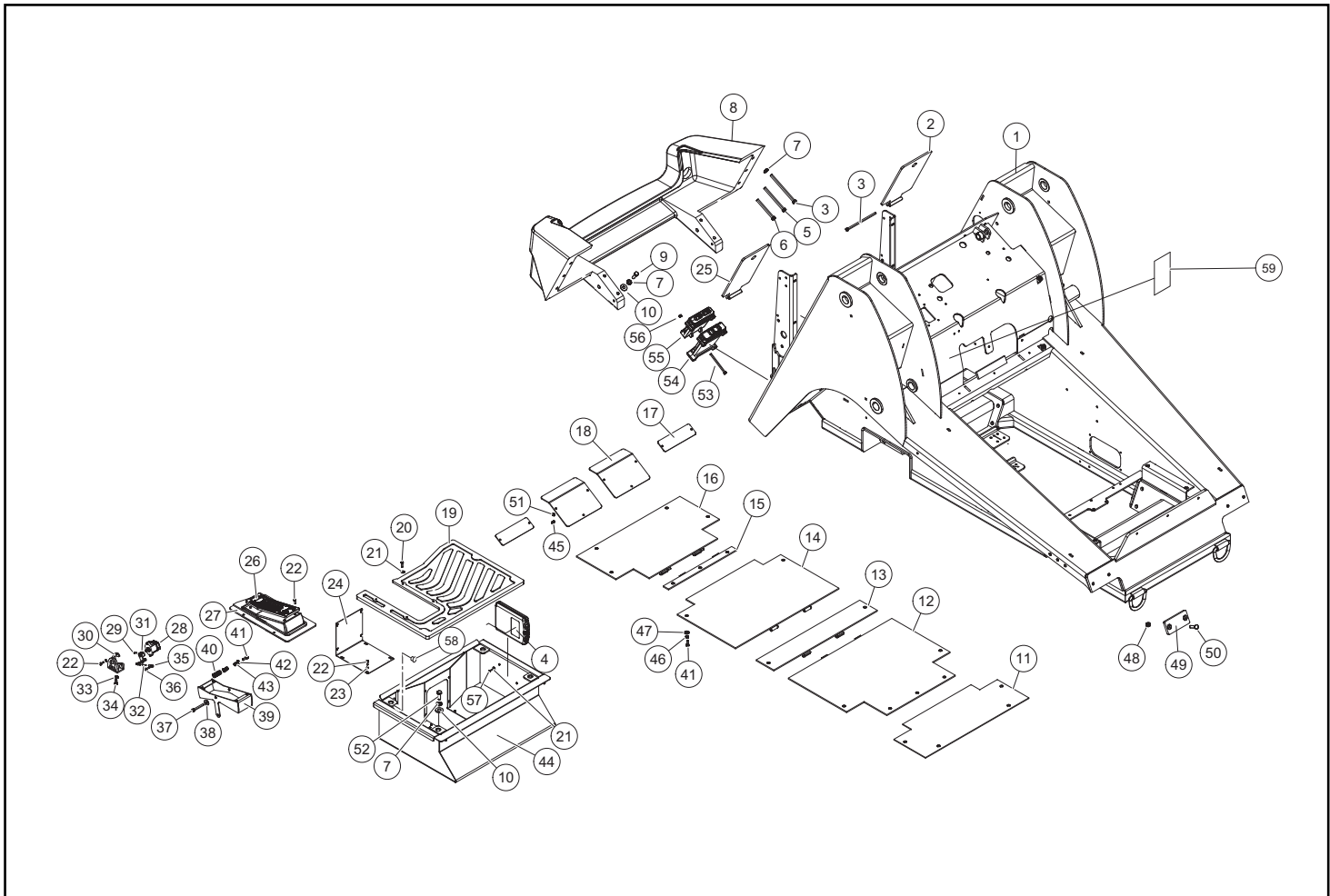
WINDSHIELD WIPER (OPTIONAL) (Serial #: 00763-Current)

REF. NO.	PART NUMBER	QTY.	DESCRIPTION	REF. NO.	PART NUMBER	QTY.	DESCRIPTION
1	0403-986	1	SWITCH WIPER - 2 SPEED				
2	0403-985	1	COVER, WIPER				
3	0090-117	2	CAPSCREW TH PH 10-24 X .75 SS				
4	0403-995	1	MOTOR WIPER 45 PANTOGRAPH				
5	0403-996	1	ARM WIPER 550 MM PANTOGRAPH WET				
6	0403-997	1	BLADE WIPER 650 MM				
7	0403-998	1	CONNECTOR 90° ELBOW METAL				
8	0090-252	4	TUBING PVC 6MM OD x 4MM ID				
9	0403-757	1	COUPLER FEMALE WASHER LINE				
10	0403-756	1	COUPLER MALE WASHER LINE				
11	0403-715	1	CAP WASHER RESERVOIR				
12	0403-682	1	SWITCH WINDSHIELD WASHER				
13	0403-712	1	BOTTLE WASHER				
14	0403-713	1	PUMP WASHER RESERVOIR				
15	0090-128	6	SCREW TH PH 10-24 x 5 SS				
16	0090-163	2	NUT U 10-24 UNC				
17	2075-642	1	PANEL FRONT LH E/H W/ WASHER TANK				
18	2076-411	1	DECAL EMERGENCY EXIT PT100-G FORESTRY				



CHASSIS ASSEMBLY (Serial #: 00101-Current)

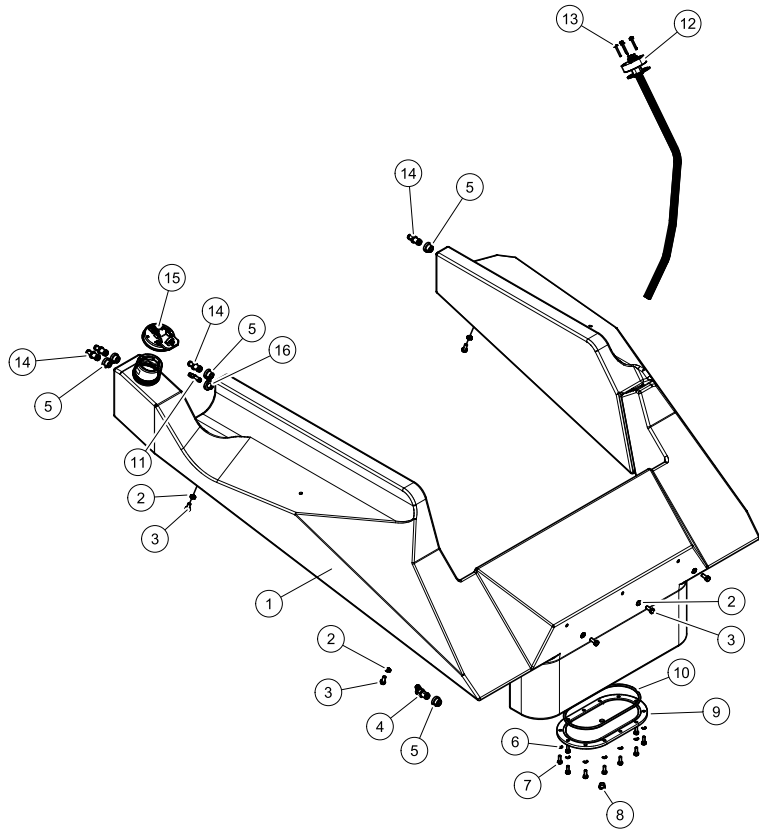
REF. NO.	PART NUMBER	QTY.	DESCRIPTION	REF. NO.	PART NUMBER	QTY.	DESCRIPTION
1	2075-001	1	WLMT CHASSIS	41	8102-222	21	CAPSCREW,HH,3/8-16 UNCx1.0,GD8,ZN
2	2075-559	1	WLMT DOOR TOWER	42	8050-277	2	WASHER,WROUGHT,3/8,SAE,ZN
3	8102-245	4	CAPSCREW HH 3/8-16 X 8 GR 8	43	8040-486	2	NUT,HEX,NYLOCK,3/8-16 UNC,ZN
4	0304-318	1	BOX,OWNERS MANUAL	44	2095-922	1	WLMT FOOTWELL
5	8102-418	2	CAPSCREW,HH,1/2-13UNCx 6.0,GD8,ZN	45	8102-127	10	CAPSCREW, HH,5/16-18 UNCx 1/2,
6	8102-416	2	CAPSCREW HH 1/2-13 x 5 GD 8	46	8051-272	20	WASHER,SPRING LOCK,3/8,ZN
7	8051-332	14	WASHER,SPRING LOCK,1/2,ZN	47	8050-282	20	WASHER,WROUGHT,3/8,STD,ZN
8	2075-711	1	WEIGHT BUMPER	48	8040-606	4	NUT,HEX,NYLOCK,1/2-13 UNC,ZN
9	8102-405	4	CAPSCREW,HH,1/2-13 UNCx1.5,GD8	49	0201-066	2	PLATE,BOLT
10	8050-347	8	WASHER,WROUGHT,1/2,STD,ZN	50	0201-483	4	BOLT,PLOW,1/2-13x2.00"
11	2045-174	1	PLATE SKID FRONT	51	8051-242	10	WASHER,SPRING LOCK,5/16,ZN
12	2075-405	1	WLMT SKID CENTER FRONT	52	8102-404	4	CAPSCREW,HH 1/2-13UNCx1.25 GD8 ZN
13	2075-404	1	WLMT SKID HINGE	53	8102-057	2	CAPSCREW HH 1/4-20 X 4.5" GD8 ZN
14	2075-403	1	WLMT SKID CENTER REAR	54	0090-241	1	MODULE CONTROLLER 50 PIN
15	2075-385	1	WLMT PLATE HINGE	55	0090-240	1	MODULE OUTPUT 24 PIN
16	2075-386	1	WLMT SKID REAR	56	8040-366	2	NUT,HEX,NYLOCK,1/4-20 UNC,ZN
17	2076-102	2	COVER BASE TOWER	57	8102-037	2	CAPSCREW,HH,1/4-20 UNCx.50,GD8
18	2075-426	2	COVER ACCESS REAR	58	0090-558	4	PLUG DOME .312 HOLE BLACK
19	2075-617	1	MAT FLOOR	59	2076-456	1	DECAL PUMP CONNECTIONS PT100G
20	8102-042	4	CAPSCREW, HH 1/4-20UNC 1" GD8				
21	8050-222	6	WASHER,WROUGHT,1/4,STD,ZN				
22	8102-040	24	CAPSCREW,HH,1/4-20 UNCx.75,GD8 ZN				
23	8051-212	10	WASHER,SPRING LOCK,1/4,ZN				
24	2075-616	1	COVER ACCESS FLOOR PAN				
25	2076-104	1	WLMT DOOR TOWER RH				
26	2045-666	1	COVER THROTTLE PEDAL MACHINED				
27	2075-618	1	BOOT THROTTLE				
28	2075-468	1	SENSOR THROTTLE				
29	8006-216	1	CAPSCREW,SOC HD,10-32 UNFx.625				
30	2075-474	1	WLMT BRKT THROTTLE				
31	2075-470	1	WLMT ARM THROTTLE				
32	2075-677	1	ROD LINKAGE THROTTLE				
33	8051-272	2	WASHER,SPRING LOCK,3/8,ZN				
34	8102-220	2	CAPSCREW,HH,3/8-16x0.75",GD8				
35	2045-565	2	JOINT BALL SNAP CLIP				
36	8040-396	2	NUT,HEX,NYLOCK,1/4-28 UNF,ZN				
37	8102-230	1	CAPSCREW,HH 3/8-16UNCx2.75 GD8				
38	2045-678	1	WASHER LEATHER				
39	2045-571	1	WLMT PEDAL THROTTLE				
40	2045-662	1	SPRING 2.0" x 1/2" ID 1140 LBF				



FUEL TANK ASSEMBLY (Serial #: 00101-Current)

Section 7

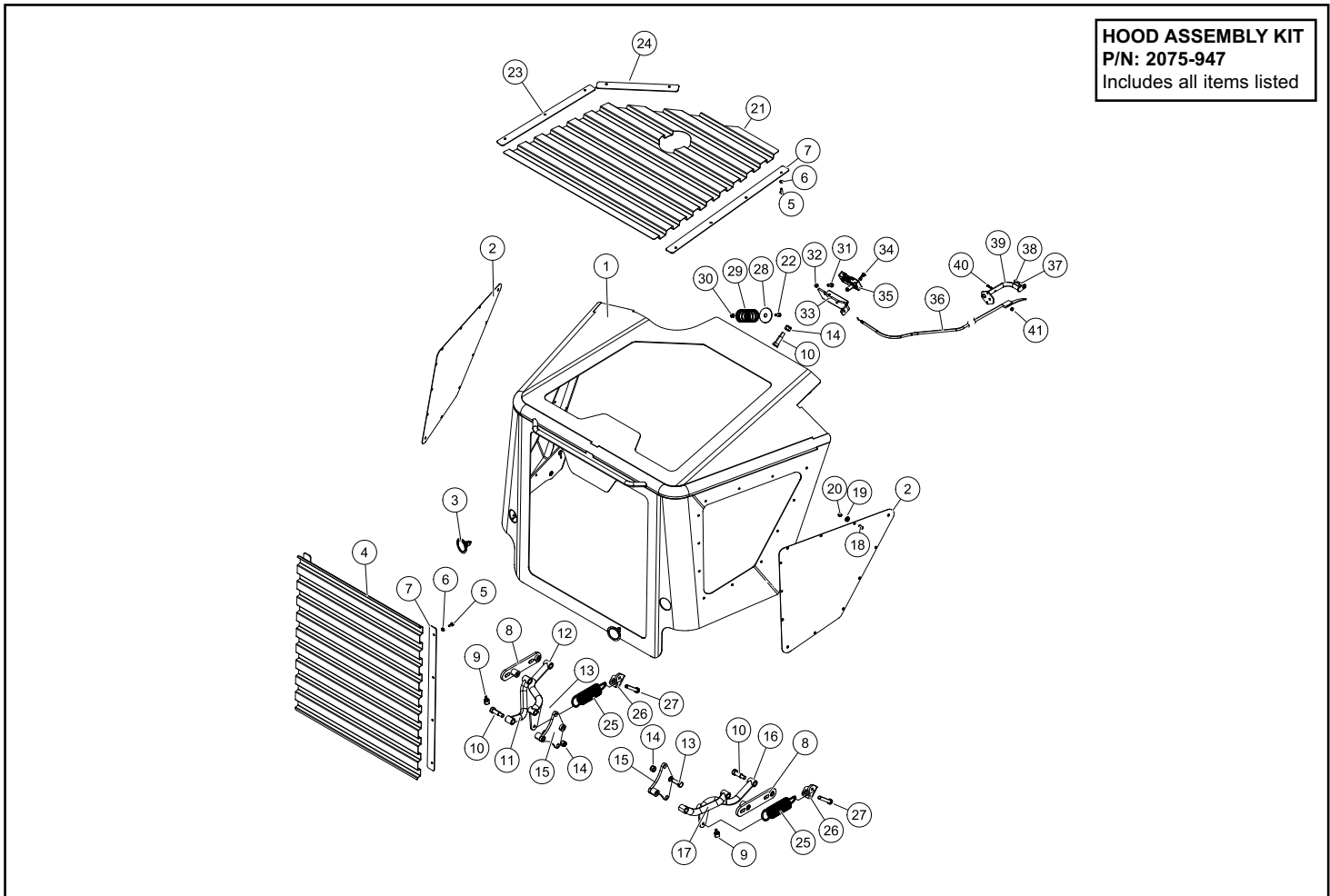
REF. NO.	PART NUMBER	QTY.	DESCRIPTION	REF. NO.	PART NUMBER	QTY.	DESCRIPTION
1	2075-946	1	TANK FUEL				
2	8051-242	5	WASHER,SPRING LOCK,5/16,ZN				
3	8102-130	5	CAPSCREW,HH 5/16-18x3/4,GR8				
4	0090-102	1	ADAPTER INSERT 1/2" 90°				
5	0090-101	5	GROMMET RUBBER LG 1/2" FUEL				
6	8051-212	12	WASHER,SPRING LOCK,1/4,ZN				
7	8102-040	12	CAPSCREW,HH,1/4-20 UNCx.75,GD8 ZN				
8	2010-130	1	PLUG ORING 9/16-18 ALLEN HEAD				
9	2075-692	1	CLEANOUT FUEL TANK				
10	2075-691	1	O-RING FUEL TANK DASH 368				
11	0090-251	1	ADAPTER DAPCO 3/8" STRAIGHT				
12	2075-900	1	SENDER FUEL 3 TERM 0/5V				
13	0090-023	5	SCREW PH 10-32 x 1.25 ZN				
14	0090-250	4	ADAPTER DAPCO 1/2" STRAIGHT				
15	2045-407	1	CAP FUEL GREEN				
16	0090-249	1	GROMMET DAPCO 3/8" NITRILE				



HOOD ASSEMBLY (Serial #: 00101-Current)

Section 8

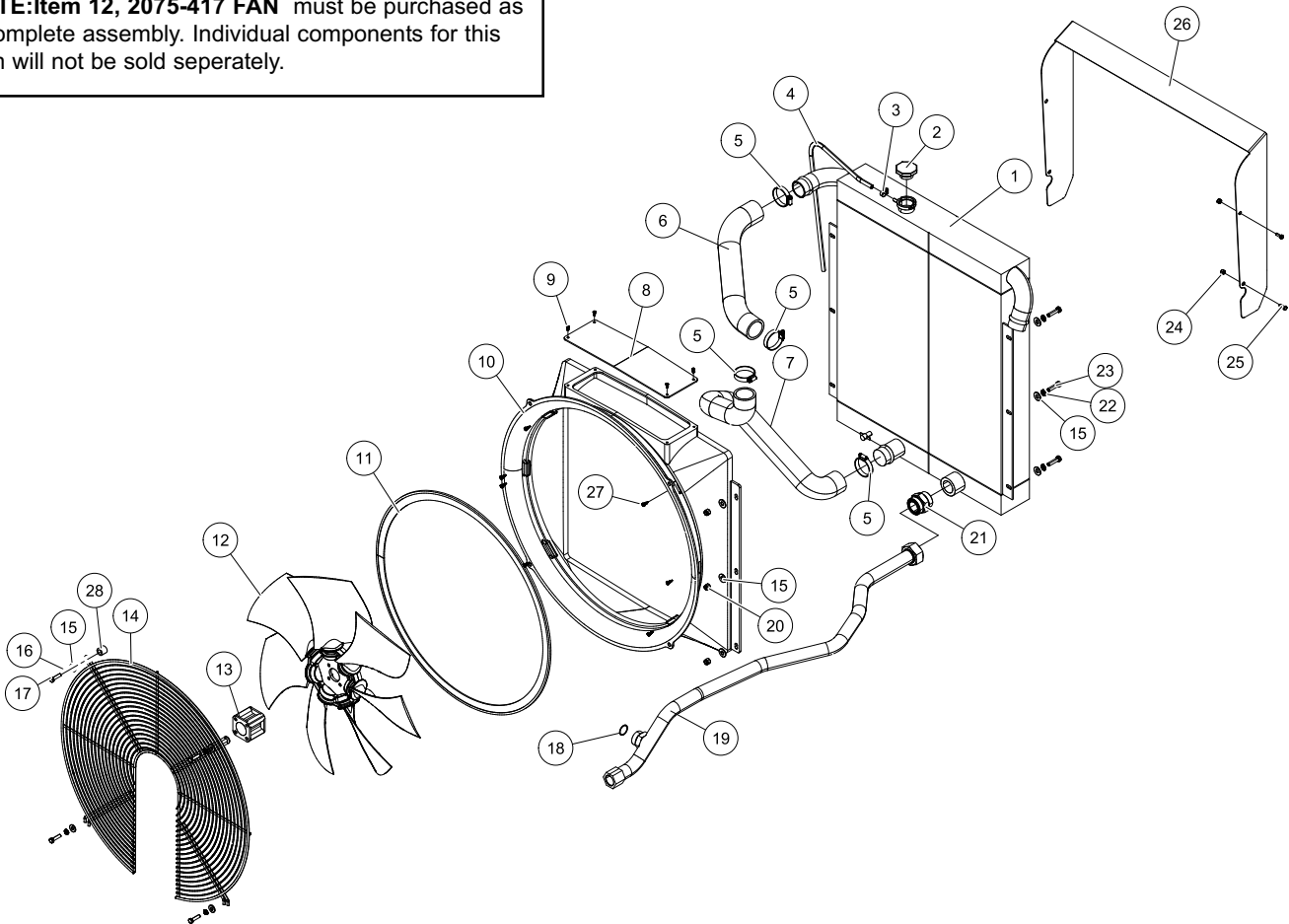
REF. NO.	PART NUMBER	QTY.	DESCRIPTION	REF. NO.	PART NUMBER	QTY.	DESCRIPTION
1	2075-921	1	WLMT HOOD PT100	41	8040-276	1	NUT,HEX,NYLOCK,10-32 UNF,ZN
2	2075-991	2	SCREEN HOOD SIDE				
3	2045-756	2	LIGHT 35W W/BEZEL				
4	2075-933	1	SCREEN HOOD PT100				
5	8102-039	17	CAPSCREW,HH,1/4-20UNCx.625,GD8				
6	8051-212	17	WASHER,SPRING LOCK,1/4,ZN				
7	2075-783	2	HOLDER SCREEN				
8	2075-512	2	WLMT HINGE FRONT				
9	2030-354	2	BUMPER RUBBER				
10	0090-001	8	BOLT,SHOULDER,5/8"x1.25" GD 8				
11	2075-830	1	WLMT ARM LR				
12	2075-831	1	WLMT ARM LF				
13	8102-405	4	CAPSCREW,HH,1/2-13 UNCx1.5,GD8				
14	8040-606	5	NUT,HEX,NYLOCK,1/2-13 UNC,ZN				
15	2075-510	1	WLMT PLATE HINGE				
16	2075-828	1	WLMT ARM RF				
17	2075-829	1	WLMT ARM RR				
18	0090-129	24	CAPSCREW BH 1/4-20 x .75 BLACK ZINC				
19	8050-222	24	WASHER,WROUGHT,1/4,STD,ZN				
20	8040-366	24	NUT,HEX,NYLOCK,1/4-20 UNC,ZN				
21	2075-932	1	SCREEN HOOD PT100				
22	8102-130	1	CAPSCREW,HH 5/16-18x3/4,GR8				
23	2076-083	1	HOLDER SCREEN LH				
24	2076-084	1	HOLDER SCREEN FRONT				
25	2075-974	2	SPRING HOOD				
26	2075-976	2	WLMT HOOK SPRING				
27	0090-319	2	CAPSCREW HH ALL THREAD 1/2-13x3" GD8				
28	0302-952	1	WASHER,FENDER,5/16 ID x 1 1/2				
29	2076-125	1	SPRING HOOD LIFT 2.38" X 1.38"				
30	8040-426	1	NUT,HEX,NYLOCK,5/16-18 UNC,ZN				
31	8102-222	2	CAPSCREW,HH,3/8-16 UNCx1.0,GD8,ZN				
32	0314-269	2	NUT,FLANGE,TOPLK,3/8-16UNC,GDG,ZN				
33	2075-934	1	MNT LATCH HOOD				
34	0090-247	2	CAPSCREW FHSOC 5/16-18 x 1.25				
35	2075-522	1	LATCH DOUBLE ROTOR				
36	2076-059	1	ASSY CABLE HOOD				
37	8051-242	2	WASHER,SPRING LOCK,5/16,ZN				
38	8102-130	2	MNT LATCH HOOD				
39	2076-033	1	WLMT MNT CABLE HOOD				
40	0090-023	1	SCREW PH 10-32 x 1.25 ZN				



RADIATOR / OIL COOLER ASSEMBLY (Serial #: 00101-Current)

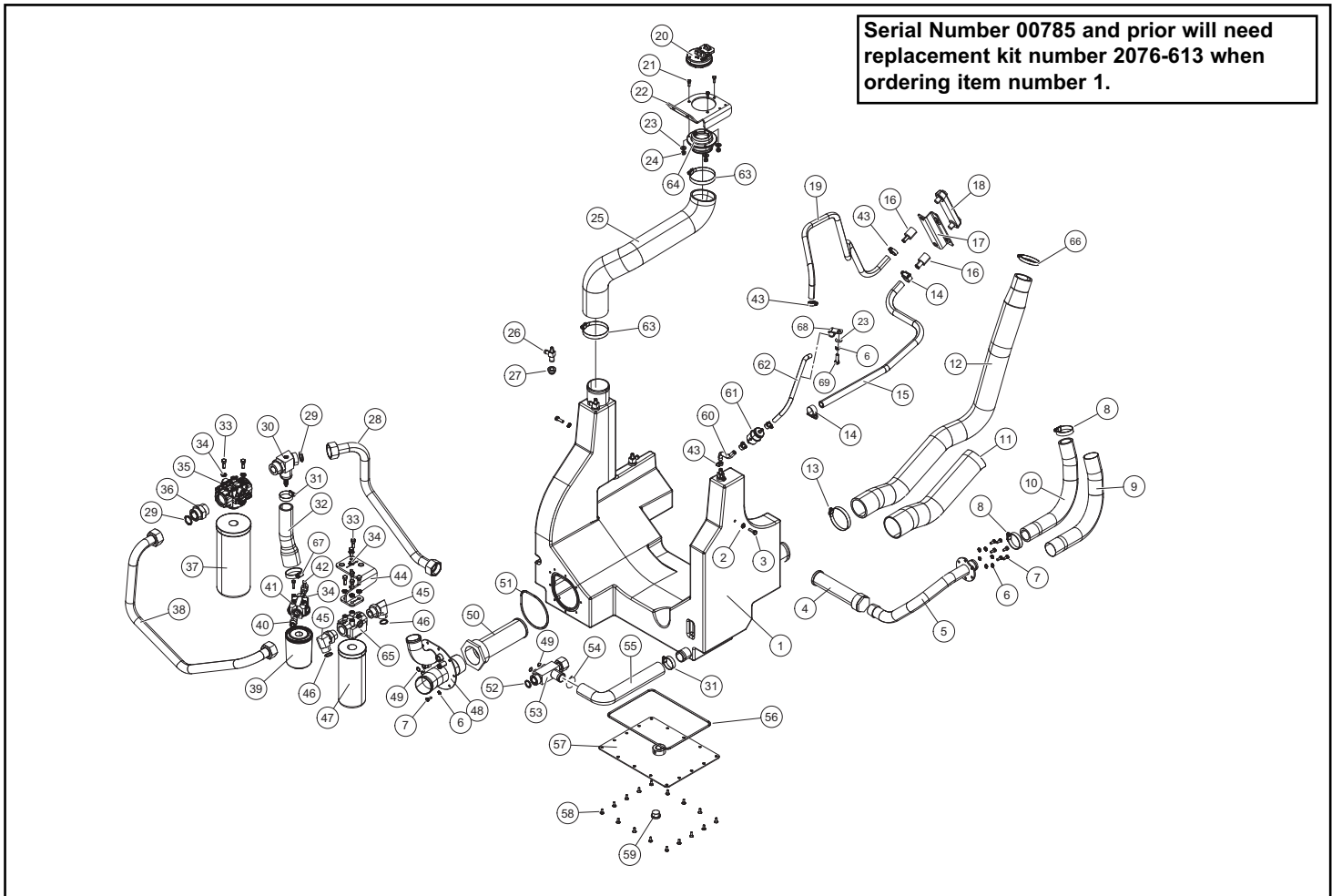
REF. NO.	PART NUMBER	QTY.	DESCRIPTION	REF. NO.	PART NUMBER	QTY.	DESCRIPTION
1	2075-074	1	COOLER				
2	0201-884	1	CAP,RADIATOR				
3	0300-732	1	CLAMP,HOSE,#4 MM4				
4	0304-444	1	HOSE,7/16 x 5/16 POLY,3FT				
5	0303-096	4	CLAMP,HOSE,2.0",HI-TORQUE				
6	2075-162	1	HOSE RADIATOR UPPER				
7	2075-159	1	HOSE RADIATOR LOWER				
8	2076-488	1	COVER CLEANOUT SHROUD				
9	0304-381	4	SCREW,MACH,PH PAN HD 10-24X0.5 ZN				
10	2075-326	1	SHROUD FAN W/ACCESS HOLE				
11	2075-145	1	RING BRUSH				
12	2075-417	1	FAN MULTI-WING				
13	2075-218	1	ENGINE PERKINS 1104D-E44T				
14	2075-150	1	GUARD FAN				
15	8050-282	16	WASHER,WROUGHT,3/8,STD,ZN				
16	8051-242	4	WASHER,SPRING LOCK,5/16,ZN				
17	8102-134	4	CAPSCREW,HH,5/16-18UNCx1.25GD8 ZN				
18	0310-290	1	O-RING,20 ORFF,2-025 N0552				
19	2075-207	1	TUBE FILTER TO COOLER ASSY				
20	8040-486	6	NUT,HEX,NYLOCK,3/8-16 UNC,ZN				
21	2075-269	1	ADAPTER 24 MFFOR-24 MORB				
22	8051-272	6	WASHER,SPRING LOCK,3/8,ZN				
23	8102-225	6	CAPSCREW,HH,3/8-16 UNCx1.5,GD8,ZN				
24	8040-426	4	NUT,HEX,NYLOCK,5/16-18 UNC,ZN				
25	8102-130	4	CAPSCREW,HH 5/16-18x3/4,GR8				
26	2075-540	1	DAM AIR				
27	0090-539	7	SCREW HEX HEAD TYPE A, 6 x 1/2"				
28	2076-490	4	SPACER GUARD FAN				

NOTE:Item 12, 2075-417 FAN must be purchased as a complete assembly. Individual components for this item will not be sold separately.



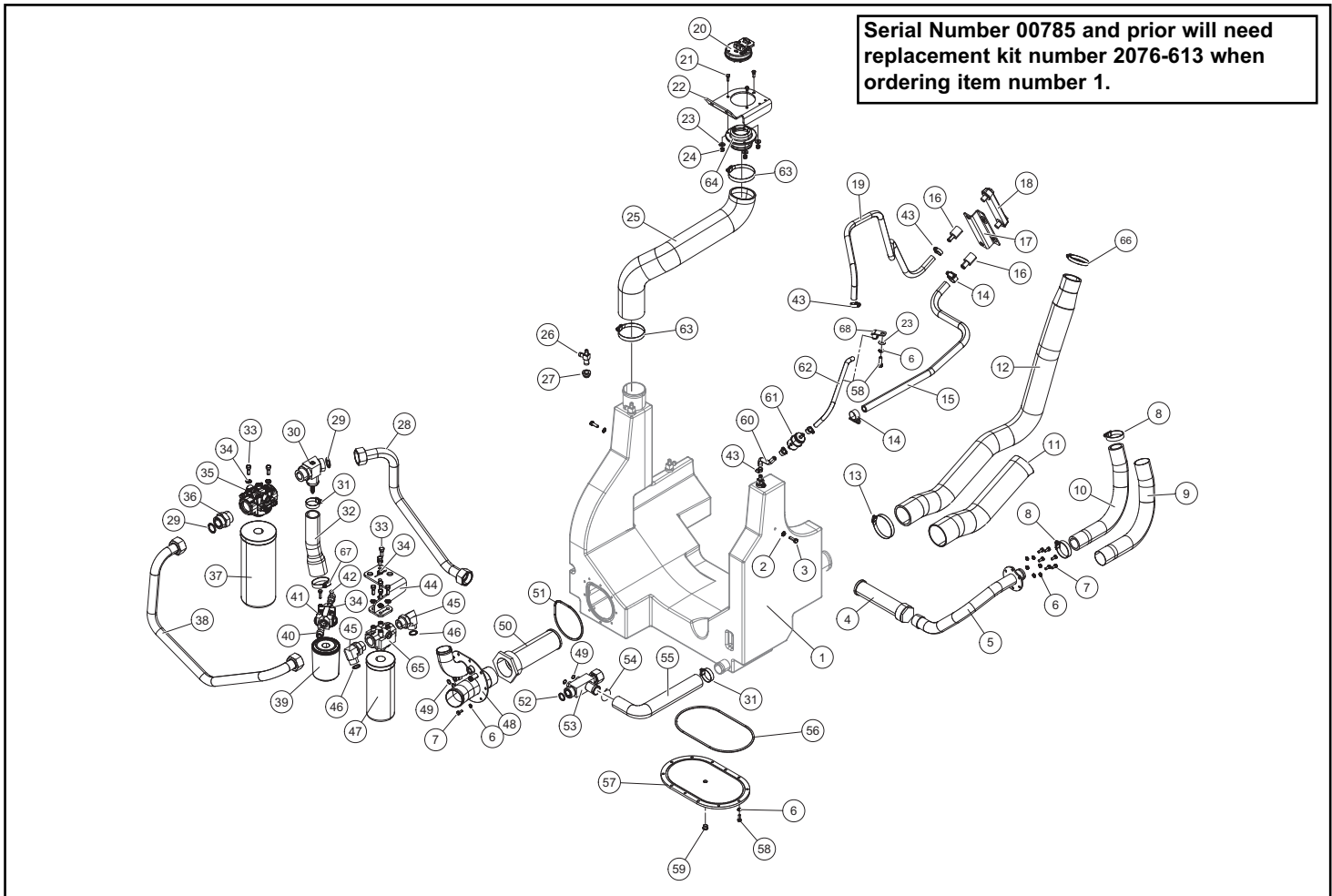
HYDRAULIC RESERVOIR ASSEMBLY (Serial #: 00101-00678)

REF. NO.	PART NUMBER	QTY.	DESCRIPTION	REF. NO.	PART NUMBER	QTY.	DESCRIPTION
1	See Note	--		41	2046-281	1	HEAD FILTER -8 8 O-RING
2	8051-242	2	WASHER,SPRING LOCK,5/16,ZN	42	8102-042	2	CAPSCREW, HH 1/4-20UNC 1" GD8
3	8102-132	2	CAPSCREW,HH,5/16-18UNCx1.0 GD8 ,ZN	43	0300-732	2	CLAMP,HOSE,#4 MM4
4	0300-190	1	SCREEN,SUCTION	44	2075-623	1	WLMT BRKT FILTER CHARGE
5	2075-229	1	WLMT TUBE CHARGE	45	0201-317	2	ADAPTER,FS6801-12-16-NW0
6	8051-212	13	WASHER,SPRING LOCK,1/4,ZN	46	0310-288	2	O-RING,12 ORFF,2-018 N0552
7	8102-039	12	CAPSCREW,HH,1/4-20UNCx.625,GD8	47	0404-161	1	FILTER SPIN-ON HYD (SHORT)
8	0090-384	2	CLAMP,HOSE,2.0,#32 H32	48	2075-211	1	WLMT INTAKE
9	2075-943	1	SLEEVE HEAT 2" X 18"	49	0310-286	2	O-RING,8 ORFF,2-014 N0552
10	2075-232	1	HOSE INTAKE CHARGE	50	0201-151	1	SCREEN,SUCTION,2.5"
11	2075-944	1	SLEEVE HEAT 3.25" X 18"	51	2075-413	1	O-RING OIL TANK DASH 354
12	2075-233	1	HOSE RETURN COOLER	52	0310-289	1	O-RING,16 ORFF,2-021 N0552
13	0303-175	1	HOSE,CLAMP,2.75,HI-TORQUE	53	2045-119	1	TEE CASE DRAIN
14	0301-125	2	CLAMP,HOSE,#6 H6	54	0090-487	1	CLAMP HOSE SPRING 1 5/8" HOSE
15	2075-433	1	HOSE SIGHT GAUGE LOWER	55	2075-209	1	HOSE FORMED CASE DRAIN
16	2075-328	1	NIPPLE SIGHT GAUGE 1/2"	56	2075-414	1	O-RING OIL TANK CLEAN OUT
17	2045-423	1	WLMT BRKT SIGHT GAUGE	57	2075-374	1	WLMT COVER CLEANOUT
18	0304-642	1	GAUGE,SIGHT 5"	58	0302-864	16	CAPSCREW,FLHD,SOC,1/4-20UNCx.6
19	2045-553	1	HOSE SIGHT GAUGE UPPER 3/8" x 38"	59	0304-186	1	PLUG,12 ORING,ALLEN HEAD
20	2045-408	1	CAP OIL BLACK	60	2045-538	1	HOSE VENT LOWER LEFT 3/8" x 7"
21	8102-042	3	CAPSCREW, HH 1/4-20UNC 1" GD8	61	0201-914	1	FILTER,FUEL,3/8",STEEL
22	2075-955	1	BRKT FILLER OIL	62	2045-539	13	HOSE VENT UPPER LEFT 3/8" x 15"
23	8050-222	4	WASHER,WROUGHT,1/4,STD,ZN	63	0303-239	2	CLAMP, HOSE, 2.5" - 3" HI TORQUE
24	8040-366	3	NUT,HEX,NYLOCK,1/4-20 UNC,ZN	64	2075-992	1	NECK FILLER OIL PLASTIC
25	2045-146	1	HOSE FILLER OIL	65	0201-403	1	HEAD,FILTER
26	2046-172	3	TEE DAPCO VENT	66	0090-402	1	CLAMP T-BOLT 2.375" TO 2.6875"
27	2046-171	3	GROMMET RUBBER 5/8	67	0090-383	1	CLAMP T-BOLT 2.125 TO 2.438
28	2075-206	1	TUBE FILTER COOLER	68	0310-465	1	CLAMP,WIRE,5/8,RBC-5/8
29	0310-290	2	O-RING,20 ORFF,2-025 N0552	69	8102-040	1	CAPSCREW,HH,1/4-20 UNCx.75,GD8 ZN
30	2075-360	1	ASSY TEE RETURN VALVE				
31	0303-238	2	CLAMP,HOSE				
32	2075-241	1	HOSE INTAKE AUX				
33	8102-222	8	CAPSCREW,HH,3/8-16 UNCx1.0,GD8,ZN				
34	8051-272	8	WASHER,SPRING LOCK,3/8,ZN				
35	2075-215	1	HEAD FILTER				
36	0310-333	1	ADAPTER,20MFFOR-20MB				
37	2075-219	1	FILTER HYDRAULIC				
38	2075-735	1	TUBE RETURN VALVE				
39	2046-286	1	FILTER SPIN ON 10 MICRON NOMINAL				
40	0310-345	2	ADAPTER,8MFFOR-8MB				



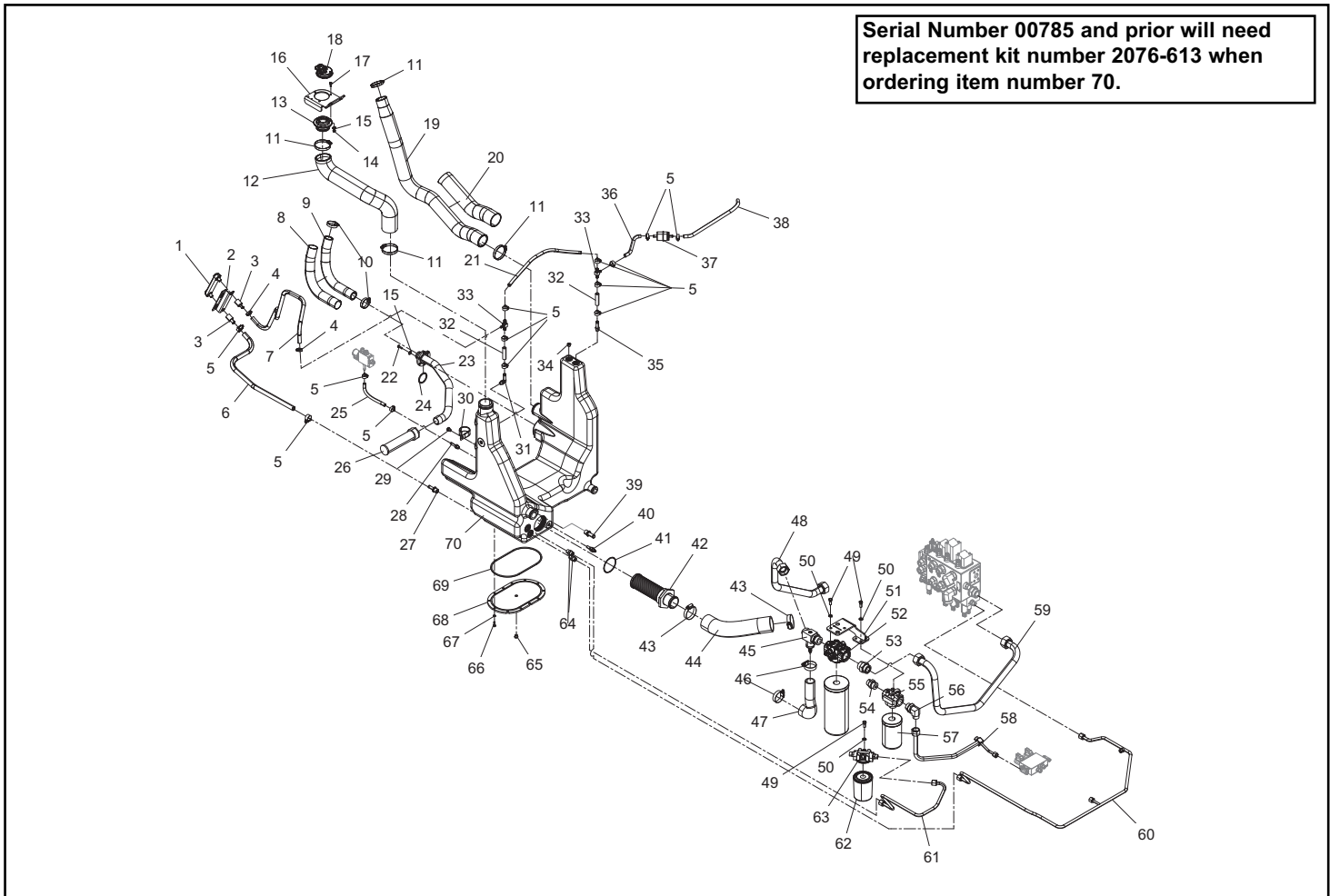
HYDRAULIC RESERVOIR ASSEMBLY (Serial #: 00679-00733)

REF. NO.	PART NUMBER	QTY.	DESCRIPTION	REF. NO.	PART NUMBER	QTY.	DESCRIPTION
1	See Note	--		41	2046-281	1	HEAD FILTER -8 8 O-RING
2	8051-242	2	WASHER,SPRING LOCK,5/16,ZN	42	8102-042	2	CAPSCREW, HH 1/4-20UNC 1" GD8
3	8102-132	2	CAPSCREW,HH,5/16-18UNCx1.0 GD8 ,ZN	43	0300-732	2	CLAMP,HOSE,#4 MM4
4	0300-190	1	SCREEN,SUCTION	44	2075-623	1	WLMT BRKT FILTER CHARGE
5	2075-229	1	WLMT TUBE CHARGE	45	0201-317	2	ADAPTER,FS6801-12-16-NW0
6	8051-212	13	WASHER,SPRING LOCK,1/4,ZN	46	0310-288	2	O-RING,12 ORFF,2-018 N0552
7	8102-039	12	CAPSCREW,HH,1/4-20UNCx.625,GD8	47	0404-161	1	FILTER SPIN-ON HYD (SHORT)
8	0090-384	2	CLAMP,HOSE,2.0,#32 H32	48	2075-211	1	WLMT INTAKE
9	2075-943	1	SLEEVE HEAT 2" X 18"	49	0310-286	2	O-RING,8 ORFF,2-014 N0552
10	2075-232	1	HOSE INTAKE CHARGE	50	0201-151	1	SCREEN,SUCTION,2.5"
11	2075-944	1	SLEEVE HEAT 3.25" X 18"	51	2075-413	1	O-RING OIL TANK DASH 354
12	2075-233	1	HOSE RETURN COOLER	52	0310-289	1	O-RING,16 ORFF,2-021 N0552
13	0303-175	1	HOSE,CLAMP,2.75,HI-TORQUE	53	2045-119	1	TEE CASE DRAIN
14	0301-125	2	CLAMP,HOSE,#6 H6	54	0090-487	1	CLAMP HOSE SPRING 1 5/8" HOSE
15	2075-433	1	HOSE SIGHT GAUGE LOWER	55	2075-209	1	HOSE FORMED CASE DRAIN
16	2075-328	1	NIPPLE SIGHT GAUGE 1/2"	56	2095-268	1	O-RING OIL TANK CLEAN OUT
17	2045-423	1	WLMT BRKT SIGHT GAUGE	57	8095-264	1	WLMT COVER CLEANOUT
18	0304-642	1	GAUGE,SIGHT 5"	58	8102-040	28	CAPSCREW,HH,1/4-20 UNCx.75,GD8 ZN
19	2045-553	1	HOSE SIGHT GAUGE UPPER 3/8" x 38"	59	0304-186	1	PLUG,12 ORING,ALLEN HEAD
20	2045-408	1	CAP OIL BLACK	60	2045-538	1	HOSE VENT LOWER LEFT 3/8" x 7"
21	8102-042	3	CAPSCREW, HH 1/4-20UNC 1" GD8	61	0201-914	1	FILTER,FUEL,3/8",STEEL
22	2075-955	1	BRKT FILLER OIL	62	2045-539	13	HOSE VENT UPPER LEFT 3/8" x 15"
23	8050-222	4	WASHER,WROUGHT,1/4,STD,ZN	63	0303-239	2	CLAMP, HOSE, 2.5" - 3" HI TORQUE
24	8040-366	3	NUT,HEX,NYLOCK,1/4-20 UNC,ZN	64	2075-992	1	NECK FILLER OIL PLASTIC
25	2045-146	1	HOSE FILLER OIL	65	0201-403	1	HEAD,FILTER
26	2046-172	3	TEE DAPCO VENT	66	0090-402	1	CLAMP T-BOLT 2.375" TO 2.6875"
27	2046-171	3	GROMMET RUBBER 5/8	67	0090-383	1	CLAMP T-BOLT 2.125 TO 2.438
28	2075-206	1	TUBE FILTER COOLER	68	0310-465	1	CLAMP,WIRE,5/8,RBC-5/8
29	0310-290	2	O-RING,20 ORFF,2-025 N0552				
30	2075-360	1	ASSY TEE RETURN VALVE				
31	0303-238	2	CLAMP,HOSE				
32	2075-241	1	HOSE INTAKE AUX				
33	8102-222	8	CAPSCREW,HH,3/8-16 UNCx1.0,GD8,ZN				
34	8051-272	8	WASHER,SPRING LOCK,3/8,ZN				
35	2075-215	1	HEAD FILTER				
36	0310-333	1	ADAPTER,20MFFOR-20MB				
37	2075-219	1	FILTER HYDRAULIC				
38	2075-735	1	TUBE RETURN VALVE				
39	2046-286	1	FILTER SPIN ON 10 MICRON NOMINAL				
40	0310-345	2	ADAPTER,8MFFOR-8MB				



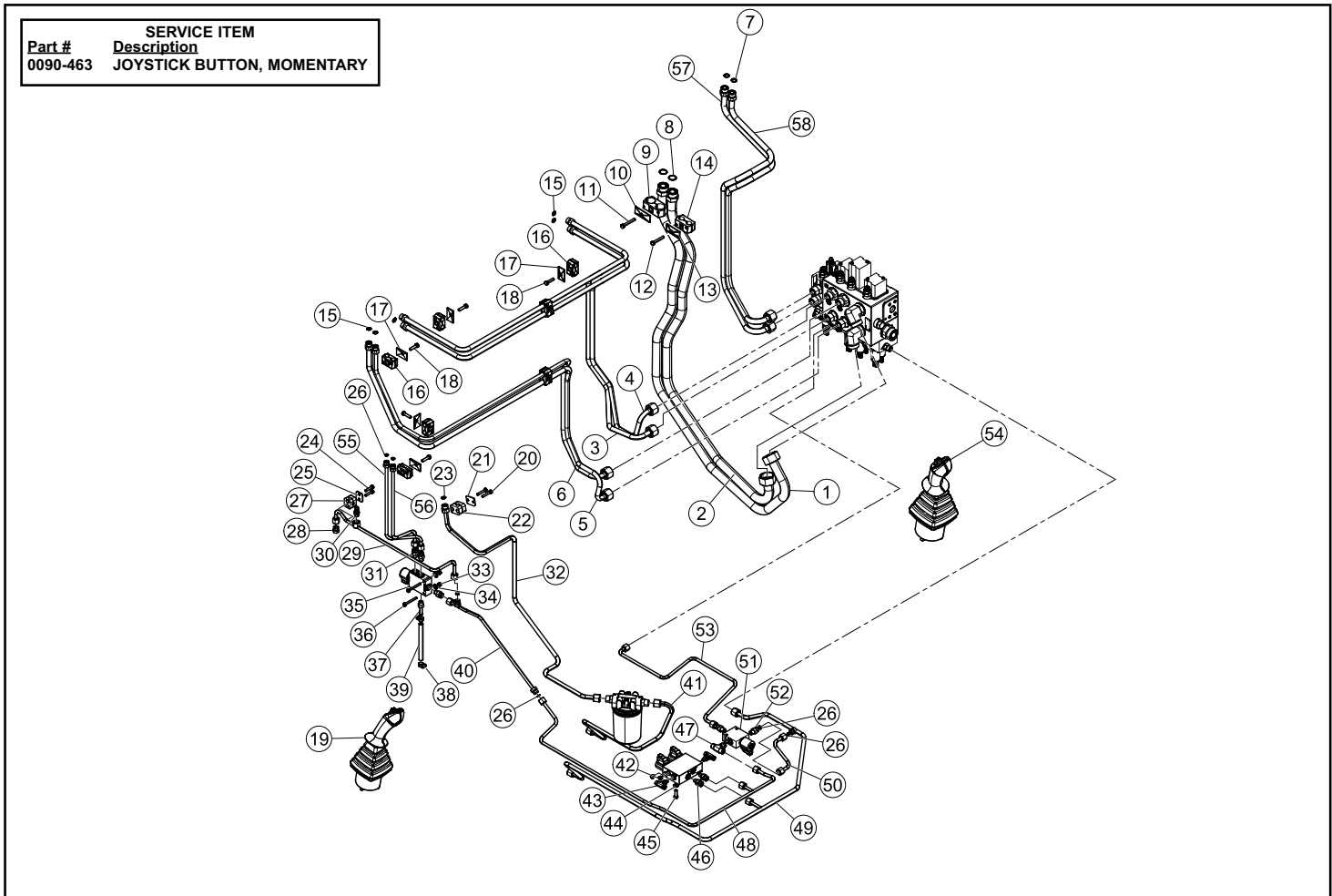
HYDRAULIC RESERVOIR ASSEMBLY (Serial #: 00734-Current)

REF. NO.	PART NUMBER	QTY.	DESCRIPTION	REF. NO.	PART NUMBER	QTY.	DESCRIPTION
1	0304-642	1	GAUGE,SIGHT 5"	41	2095-999	1	O RING
2	2045-423	1	WLMT BRKT SIGHT GAUGE	42	2045-944	1	STRAINER SUCTION
3	2045-424	2	NIPPLE SIGHT GAUGE	43	0303-175	2	HOSE,CLAMP,2.75,HI-TORQUE
4	0300-732	2	CLAMP,HOSE,#4 MM4	44	2095-936	1	HOSE INTAKE AUX
5	0301-125	11	CLAMP,HOSE,#6 H6	45	2075-360	1	ASSY TEE RETURN VALVE
6	2075-433	1	HOSE SIGHT GAUGE LOWER	46	0303-096	2	CLAMP,HOSE,2.0",HI-TORQUE
7	2045-553	1	HOSE SIGHT GAUGE UPPER 3/8" x 38"	47	2095-933	1	HOSE FORMED RETURN
8	2075-943	1	SLEEVE INTAKE 2" X 18"	48	2075-206	1	TUBE FILTER COOLER
9	2075-232	1	HOSE INTAKE CHARGE	49	8102-222	8	CAPSCREW,HH,3/8-16 UNCx1.0,GD8,ZN
10	0300-686	2	CLAMP,HOSE,2.0,#32 H32	50	8051-272	8	WASHER,SPRING LOCK,3/8,ZN
11	0308-185	4	CLAMP,HOSE,#48	51	2075-623	1	WLMT BRKT FILTER CHARGE
12	2045-146	1	HOSE FILLER OIL	52	2075-215	1	HEAD FILTER
13	2075-992	1	NECK FILLER OIL PLASTIC	53	0310-333	1	ADAPTER,20MFFOR-20MB
14	8040-366	3	NUT,HEX,NYLOCK,1/4-20 UNC,ZN	54	2030-097	1	ADAPTER,FS6400-12-16-0
15	8050-222	9	WASHER,WROUGHT,1/4,STD,ZN	55	0201-403	1	HEAD,FILTER
16	2075-955	1	BRKT FILLER OIL	56	0201-317	1	ADAPTER,FS6801-12-16-NW0
17	8102-222	3	CAPSCREW,HH,3/8-16 UNCx1.0,GD8,ZN	57	0404-161	1	FILTER SPIN-ON HYD
18	2045-408	1	CAP OIL BLACK	58	2095-317	1	WLMT TUBE CHARGE FRONT
19	2075-233	1	HOSE RETURN COOLER	59	2075-735	1	TUBE RETURN VALVE
20	2075-944	1	SLEEVE HEAT 3.25" X 18"	60	2095-935	1	TUBE TANK PILOT
21	2045-512	1	HOSE VENT CENTER	61	2095-934	1	TUBE CASE DRAIN TANK
22	8102-038	6	CAPSCREW,HH 1/4-20UNCx7/8 GRD8	62	2046-286	1	FILTER SPIN ON 10 MICRON NOMINAL
23	2076-594	1	WLMT INTAKE CHARGE	63	2046-281	1	HEAD FILTER -8 8 O-RING
24	2076-306	1	O-RING DASH 530 40 DURO	64	0310-345	2	ADAPTER,8MFFOR--8MB
25	2095-937	1	HOSE 3/8 ID, 7.5"	65	2010-130	1	PLUG ORING
26	0300-190	1	SCREEN,SUCTION	66	8102-038	12	CAPSCREW,HH 1/4-20UNCx7/8 GRD8
27	0090-646	1	ADAPTER 4604 08-10-0	67	8051-212	12	WASHER,SPRING LOCK,1/4,ZN
28	0201-494	1	ADAPTER,4604-06-06-0	68	2095-264	1	COVER ACCESS OIL RES
29	0314-202	2	CAPSCREW,HH,M10x1.5x14,ZN	69	2095-268	1	O-RING DASH 376 40 DURO
30	0090-616	2	J CLAMP 1 5/8"	70	2076-631	1	TANK HYDRAULIC PT-100G
31	0201-493	2	ADAPTER,4601-08-06-NW0				
32	2095-970	2	HOSE 1/2" ID 6"				
33	0090-608	2	TEE .50 X .38 X .50				
34	2010-130	1	PLUG ORING 9/16-18 ALLEN HEAD				
35	0090-467	1	ADAPTER 4604-08-06-0				
36	2045-538	1	HOSE VENT LOWER LEFT 3/8" x 7"				
37	0201-914	1	FILTER,FUEL,3/8",STEEL				
38	2045-539	1	HOSE VENT UPPER LEFT 3/8" x 15"				
39	2045-135	1	ADAPTER HB-MORB 4604-10-10-0				
40	2045-383	1	UNIT SENDING TEMP HYDRAULIC				



HYDRAULIC CONTROL ASSEMBLY (Serial #: 00101-Current)

REF. NO.	PART NUMBER	QTY.	DESCRIPTION	REF. NO.	PART NUMBER	QTY.	DESCRIPTION
1	2075-734	1	TUBE HIGH FLOW B	41	2075-371	1	TUBE CASE DRAIN TANK
2	2075-733	1	TUBE HIGH FLOW A	42	0307-973	2	PLUG,4MB,SOCKET HEAD PLUG,6408-H-04(BREN
3	2075-729	1	WLMT TUBE BOOM A	43	0090-205	2	ADAPTER FS6803-04-04-04-NWO-FG
4	2075-730	1	WLMT TUBE BOOM B	44	8051-242	2	WASHER,SPRING LOCK,5/16,ZN
5	2075-727	1	TUBE BUCKET A	45	8102-132	2	CAPSCREW,HH,5/16-18UNCx1.0 GD8_ZN
6	2075-728	1	TUBE BUCKET B	46	0314-014	2	ADAPTER,6MFFOR-4MB FS6400-06-04
7	0310-287	2	O-RING,10 ORFF,2-016 N0552	47	0201-542	1	ADAPTER,TEE,6FS-6FS-6NWO
8	0310-289	2	O-RING,16 ORFF,2-021 N0552	48	2075-737	1	TUBE SUPPLY PILOT
9	2075-752	1	CLAMP SET T4125-PP	49	2075-736	1	TUBE TANK PILOT
10	0201-227	1	CLAMP,COVER,TCP-T4	50	2075-808	1	TUBE DUMP PILOT
11	8102-138	1	CAPSCREW,HH,5/16-18 X 2.25 GD8	51	2051-615	1	BLOCK CONTROL
12	8102-137	1	CAPSCREW,HH,5/16-18UNCx2.0 GD8 ZN	52	0310-329	2	ADAPTER,6MFFOR-6MB
13	0310-828	1	COVER, CLAMP, 3/4" TCP-T3 BEHRINGER	53	2075-809	1	TUBE SUPPLY PILOT
14	0310-733	1	INSERT,CLAMP,TWIN.75" T3075-PP T3075-PP	54	2075-739	1	JOYSTICK LH ELECTRONIC
15	0310-286	6	O-RING,8 ORFF,2-014 N0552	55	2075-464	1	TUBE QA FRONT
16	0310-831	7	CLAMP, SET, T2062-PP BEHRINGER	56	2075-465	1	TUBE QA REAR
17	0310-584	7	PLATE,COVER TCP-T2 TCP-T2	57	2075-726	1	TUBE LOW FLOW B
18	8102-134	7	CAPSCREW,HH,5/16-18UNCx1.25GD8 ZN	58	2075-725	1	TUBE LOW FLOW A
19	2075-740	1	JOYSTICK RH ELECTRIC				
20	8102-045	2	CAPSCREW,HH,1/4-20x1.5"ZN GD8				
21	0201-224	1	COVER,CLAMP,COP-2				
22	0201-402	1	CLAMP,SET,2050-PP				
23	0310-286	3	O-RING,8 ORFF,2-014 N0552				
24	8102-044	2	CAPSCREW,HH,1/4-20UNCx1.25,GD8,ZN				
25	8102-044	2	CAPSCREW,HH,1/4-20UNCx1.25,GD8,ZN				
26	0310-285	5	O-RING,6 ORFF,2-012 N0552				
27	2045-580	1	CLAMP SET 1038-PP				
28	0700-076	1	ADAPTER,PLUG,6MFS				
29	2075-933	1	SCREEN HOOD PT100				
30	0314-043	1	COUPLING,PORT,TEST,MALE.#6SAE-M 6V3965				
31	0310-329	3	ADAPTER,6MFFOR-6MB				
32	2075-344	1	TUBE FILTER CASE DRAIN UPSTREAM				
33	8040-366	2	NUT,HEX,NYLOCK,1/4-20 UNC,ZN				
34	8050-222	2	WASHER,WROUGHT,1/4,STD,ZN				
35	2075-359	1	VALVE 2 POS 4 WAY SV08				
36	8102-048	2	CAPSCREW,HH,1/4-20UNCx2.25,GD8				
37	0201-494	1	ADAPTER,4604-06-06-0				
38	0300-732	2	CLAMP,HOSE,#4 MM4				
39	2075-429	2	HOSE 3/8 X 6 QA RETURN				
40	2075-268	1	TUBE PRESSURE BLOCK QA				



LIFT ARM CONTROL VALVE ASSEMBLY (Serial #: 00101-Current)

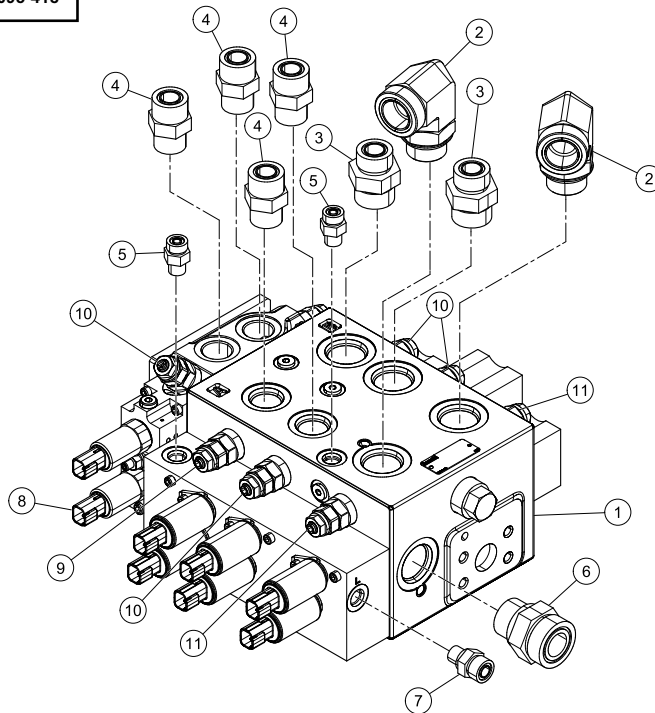
REF. NO.	PART NUMBER	QTY.	DESCRIPTION	REF. NO.	PART NUMBER	QTY.	DESCRIPTION
1	* FOR VALVE PART		NUMBERS SEE ILLUSTRATION				
2	2075-742	2	ADAPTER FS6801-20-16-NOW				
3	2030-097	2	ADAPTER,FS6400-12-16-0				
4	0310-313	3	ADAPTER,12MFFOR-12MB				
5	0310-329	2	ADAPTER,6MFFOR-6MB				
6	0314-355	1	ADAPTER,20MFFOR-16MB FS6400-20-16-0				
7	0310-567	1	ADAPTER,8MFFOR-6MB				
8	2076-169	8	SPOOL SOLENOID SSLV				
9	2076-166	1	RELIEF WORKPORT 240 BAR				
10	2076-163	4	RELIEF WORKPORT 275 BAR				
11	2076-164	2	RELIEF WORKPORT 310 BAR				

***Item 1 VALVE REXROTH SSLV**

Machine serial numbers

00101- 00681
00682- Current

Part #
2075-758
2095-418

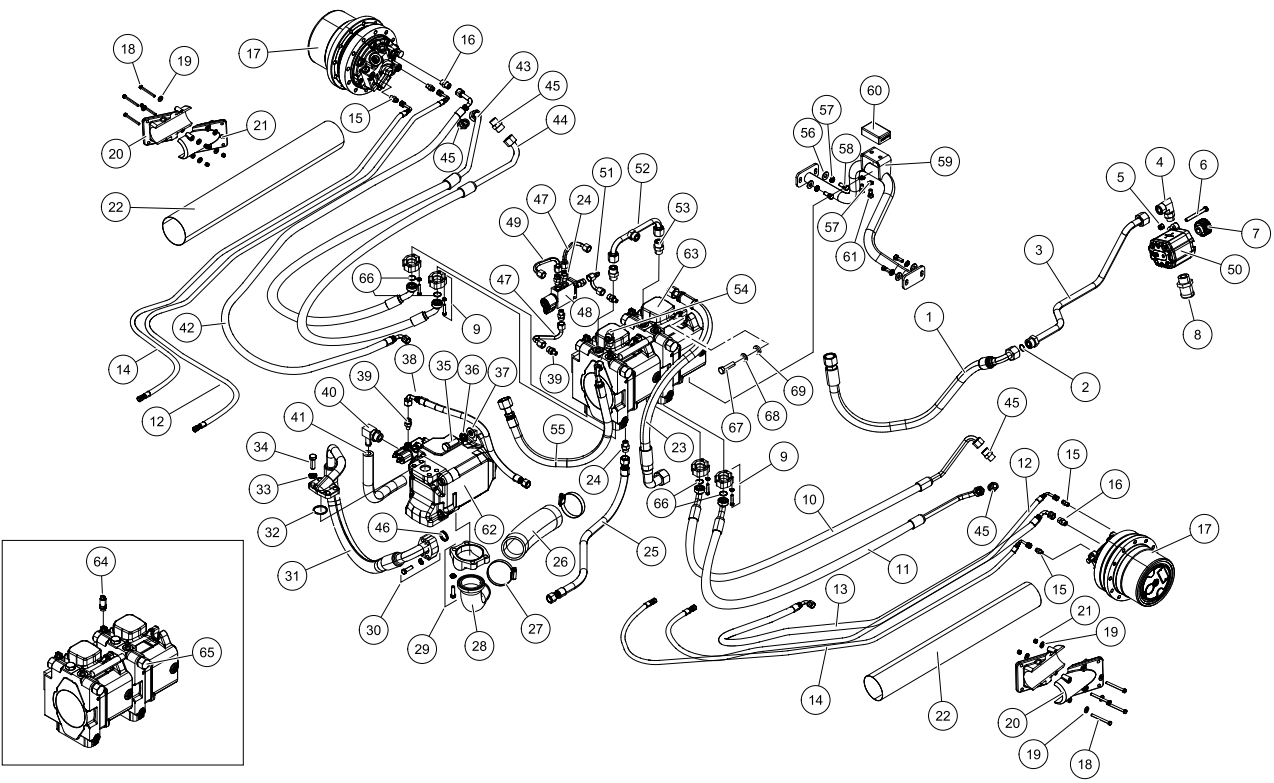


HYDRAULIC DRIVE / AUXILIARY ASSEMBLY (Serial #: 00101-00229)

REF. NO.	PART NUMBER	QTY.	DESCRIPTION	REF. NO.	PART NUMBER	QTY.	DESCRIPTION
1	2075-773	1	HOSE -12 12FFORX-12FFORX90S 31"	41	1054-093	1.25'	HOSE 10RLC 5/8"
2	0310-288	1	O-RING,12 ORFF,2-018 N0552	42	2075-451	1	HOSE -8 4000PSI 8FFORX90M 8FFORX90L
3	2075-257	1	TUBE PRESSURE CHARGE REAR	43	2075-442	1	HOSE RH TOP *Machines before serial #426 see below
4	0310-320	1	ADAPTER,12MFFOR-10MB-90	44	2075-443	1	HOSE RH BOTTOM
5	8040-486	2	NUT,HEX,NYLOCK,3/8-16 UNC,ZN	45	0310-313	4	ADAPTER,12MFFOR-12MB
6	8102-232	2	CAPSCREW,HH,3/8-16,UNCx3.25,GD	46	0309-540	1	O-RING,-16 FLANGE 16FLOR
7	2075-449	1	GEAR CHARGE PUMP	47	2075-756	2	TUBE SAFETY FRONT BOTTOM
8	2075-231	1	ADAPTER 16 MORB-1.5" HB	48	2075-753	1	VALVE 2 POS 4 WAY SV08-42
9	0700-172	4	FLANGE,HALF,12	49	2075-755	1	TUBE SAFETY FRONT TOP
10	2075-444	1	HOSE LH TOP *Machines before serial #426 see below	50	2075-448	1	PUMP CHARGE SAUER
11	2075-445	1	HOSE LH BOTTOM	51	2075-757	1	TUBE SAFETY REAR
12	2075-457	1	HOSE -4 4000PSI 4FFORX 4FFORX90L 65"	52	2075-634	1	TUBE CASE DRAIN TRANS
13	2075-455	1	HOSE -8 4000PSI 8FFORX90S 8FFORX90M 180	53	0315-010	2	ADAPTER,10MFFOR-10MB
14	2075-456	2	HOSE -4 4000PSI 4FFORX 4FFORX90L 55"	54	0310-346	1	ADAPTER,8MFFOR-8MB-90^
15	0201-309	4	ADAPTER,FS6400-04-06-0	55	2075-897	1	HOSE -10 12FFORX-8FFORX90S 28"
16	0310-345	2	ADAPTER,8MFFOR-8MB	56	8050-282	4	WASHER,WROUGHT,3/8,STD,ZN
17	258-2971	2	MOTOR HYD BONFIG 2 SPD	57	8051-272	6	WASHER,SPRING LOCK,3/8,ZN
18	8102-052	8	CAPSCREW,HH 1/4-20UNCx3.25 GR8 ZN	58	8102-222	4	CAPSCREW,HH,3/8-16 UNCx1.0,GD8,ZN
19	8050-221	16	WASHER,FLAT,1/4,SAE	59	2096-164	1	WLMT MOUNT TRANSMISSION
20	2076-016	4	ASSY CLAMP HALF	60	2035-841	1	STOP RUBBER W/ 3/8 PLATE
21	8040-366	8	NUT,HEX,NYLOCK,1/4-20 UNC,ZN	61	8102-220	2	CAPSCREW,HH,3/8-16x0.75",GD8
22	0090-255	2	SLEEVE TEXS112 30"	62	2075-578	1	PUMP AUX A10VO85
23	2075-772	1	HOSE -12 10FFORX-16FFORX90S 31.7"	63	2075-579	1	PUMP TANDEM A10GV63
24	0310-329	5	ADAPTER,6MFFOR-6MB	64	2076-168	4	RELIEF DRIVE PORT
25	2075-898	1	HOSE -6 1000PSI 6FFORX-6FFORX 25.5"	65	2076-270	4	VALVE SOLENOID PRESSURE REDUCING
26	2075-241	1	HOSE INTAKE AUX	66	0201-558	4	O-RING,0.984IDx0.139CS
27	0090-387	2	CLAMP T-BOLT 2.750 TO 3.063	67	8104-497	2	CAPSCREW HH 9/16-18 X 2.00 GD8
28	2075-239	1	TUBE INTAKE AUX	68	0090-302	2	WASHER, M14 DIN6916 STRUCTURAL
29	0090-207	1	KIT SPLIT FLANGE	69	0700-287	2	WASHER,16MMx30MMx5MM
30	0201-410	1	FLANGE,SPLIT,CODE 61				
31	2075-961	1	HOSE -16, 5000 PSI 16FL-090, 2075-960, 1				
32	0310-294	1	O-RING,#222,1.50x1.75x.13 (LUTZ)				
33	8051-332	4	WASHER,SPRING LOCK,1/2,ZN				
34	8102-405	4	CAPSCREW,HH,1/2-13 UNCx1.5,GD8				
35	0301-486	2	CAPSCREW,HH M16 x 45mm LONG FULLY THREAD				
36	8051-431	2	WASHER,SPRING LOCK,5/8,ZN				
37	8050-407	2	WASHER,5/8 x .120,ZN				
38	2075-438	1	HOSE -6 4000PSI 6FFORX90S				
39	0314-014	5	ADAPTER,6MFFOR-4MB FS6400-06-04				
40	0090-217	1	ADAPTER 4601-10-12-NOW				

*Serial #'s 101-425
 Item Part # Qty Description
 10 2076-552 1 HOSE, LH - TOP
 43 2076-551 1 HOSE, RH - TOP
 **DRIVE HOSE CLAMP KIT (0404-325) SEE PAGE 13 SUPPLEMENT

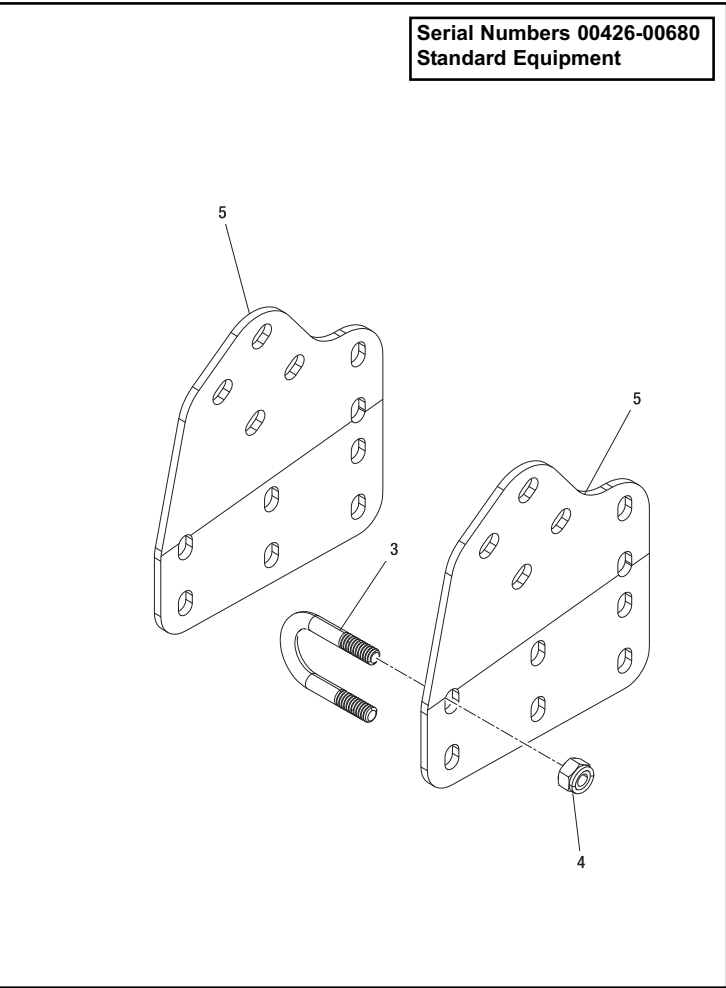
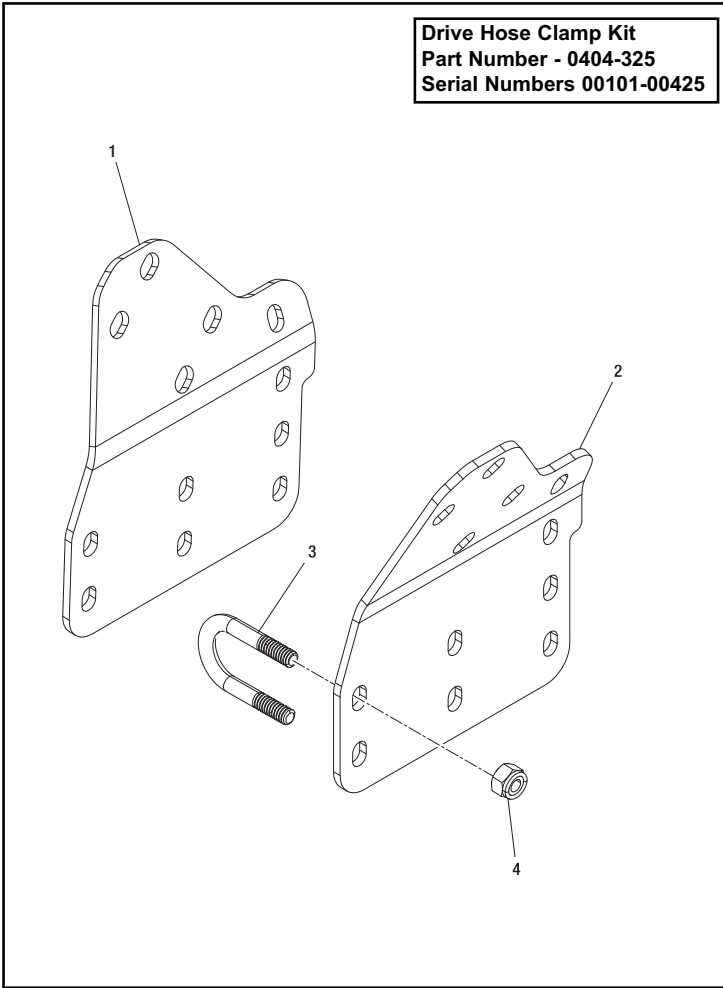
Hyd. Pump Service Components
 Part Description
 0404-099 AUXILIARY PUMP COMPLETE SEAL KIT
 2076-289 CHARGE PUMP COMPLETE SEAL KIT
 0404-100 TANDEM PUMP COMPLETE SEAL KIT



DRIVE HOSE SUPPLEMENT

REF. NO.	PART NUMBER	QTY.	DESCRIPTION
1	2035-945	1	CLAMP DRIVE HOSE RH
2	2035-944	1	CLAMP DRIVE HOSE LH
3	0090-426	12	U-BOLT 1/4"-20 x 3/8" (QTY 12 PER KIT)
4	8040-366	24	NUT,HEX,NYLOCK,1/4-20 UNC,ZN (QTY 24 PER KIT)
5	2035-942	1	BRACKET HOSE DRIVE LH / RH

REF. NO.	PART NUMBER	QTY.	DESCRIPTION



HYDRAULIC DRIVE / AUXILIARY ASSEMBLY (Serial #: 00230-00712)

REF. NO.	PART NUMBER	QTY.	DESCRIPTION
1	2075-773	1	HOSE -12 12FFORX-12FFORX90S 31"
2	0310-288	1	O-RING,12 ORFF,2-018 N0552
3	2075-257	1	TUBE PRESSURE CHARGE REAR
4	0090-398	1	ADAPTER,12MFFOR-10MB-90
5	8040-486	2	NUT,HEX,NYLOCK,3/8-16 UNC,ZN
6	8102-232	2	CAPSCREW,HH,3/8-16,UNCx3.25,GD
7	2075-449	1	GEAR CHARGE PUMP
8	2075-231	1	ADAPTER 16 MORB-1.5" HB
9	0700-172	4	FLANGE,HALF,12
10	2075-444	1	HOSE LH TOP *Machines before serial #426 see below
11	2075-445	1	HOSE LH BOTTOM
12	2075-457	1	HOSE -4 4000PSI 4FFORX 4FFORX90L 65"
13	2075-455	1	HOSE -8 4000PSI 8FFORX90S 8FFORX90M 180
14	2075-456	2	HOSE -4 4000PSI 4FFORX 4FFORX90L 55"
15	0201-309	4	ADAPTER,FS6400-04-06-0
16	0310-345	2	ADAPTER,8MFFOR-8MB
17	258-2971	2	MOTOR HYD BONFIG 2 SPD
18	8102-052	8	CAPSCREW,HH 1/4-20UNCx3.25 GR8 ZN
19	8050-221	16	WASHER,FLAT,1/4,SAE
20	2076-016	4	ASSY CLAMP HALF
21	8040-366	8	NUT,HEX,NYLOCK,1/4-20 UNC,ZN
22	0090-255	2	SLEEVE TEXS112 30"
23	2075-772	1	HOSE -12 10FFORX-16FFORX90S 31.7"
24	0310-329	5	ADAPTER,6MFFOR-6MB
25	2075-898	1	HOSE -6 1000PSI 6FFORX-6FFORX 25.5"
26	2075-241	1	HOSE INTAKE AUX
27	0090-387	2	CLAMP T-BOLT 2.750 TO 3.063
28	2075-239	1	TUBE INTAKE AUX
29	0090-207	1	KIT SPLIT FLANGE
30	0201-410	1	FLANGE,SPLIT,CODE 61
31	2075-961	1	HOSE -16, 5000 PSI 16FL-090, 2075-960, 1
32	0310-294	1	O-RING,#222,1.50x1.75x.13 (LUTZ)
33	8051-332	4	WASHER,SPRING LOCK,1/2,ZN
34	8102-405	4	CAPSCREW,HH,1/2-13 UNCx1.5,GD8
35	0301-486	2	CAPSCREW,HH M16 x 45mm LONG FULLY THREAD
36	8051-431	2	WASHER,SPRING LOCK,5/8,ZN
37	8050-407	2	WASHER,5/8 x .120,ZN
38	2075-438	1	HOSE -6 4000PSI 6FFORX90S
39	0314-014	5	ADAPTER,6MFFOR-4MB FS6400-06-04
40	0090-217	1	ADAPTER 4601-10-12-NOW

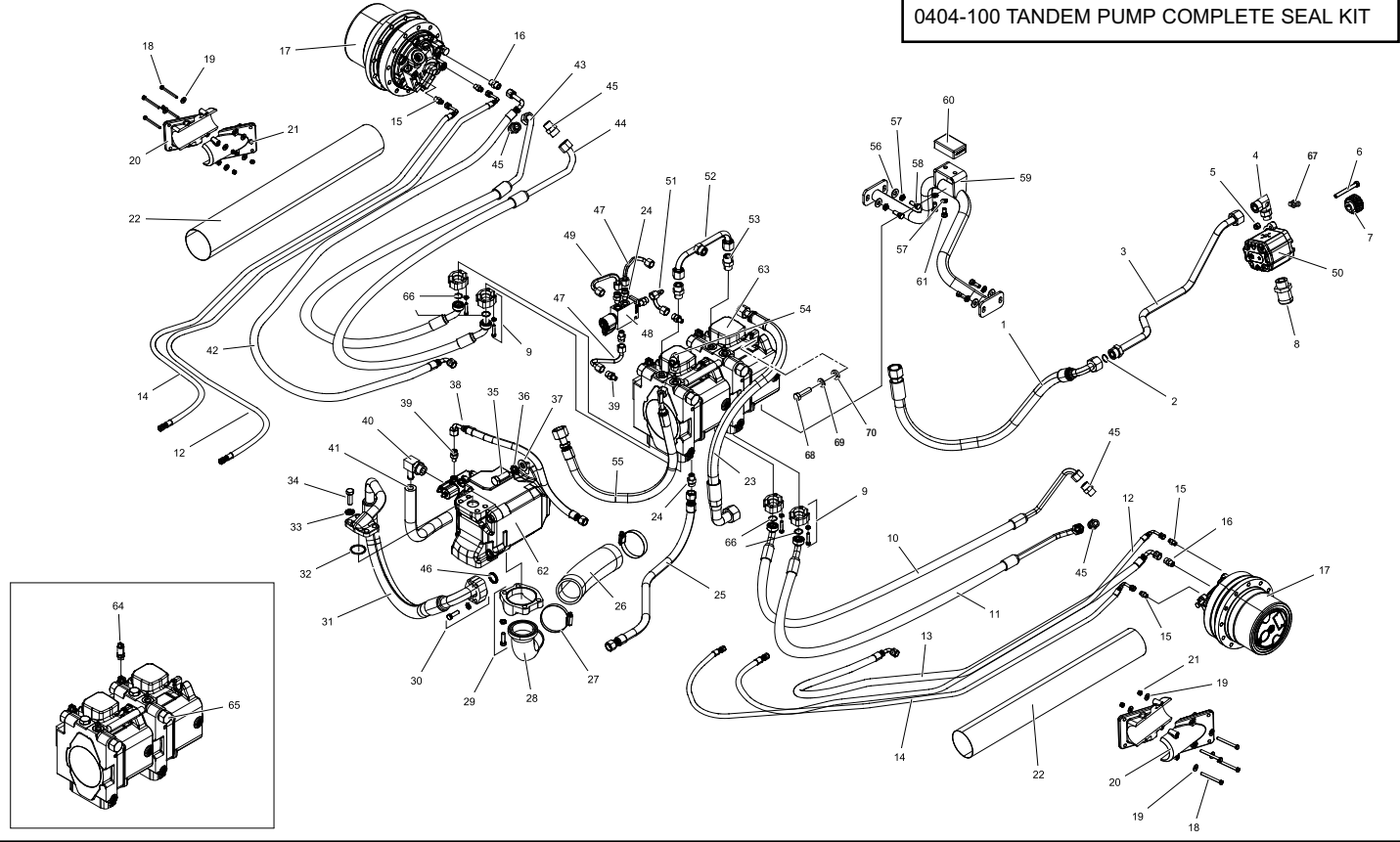
REF. NO.	PART NUMBER	QTY.	DESCRIPTION
41	1054-093	1.25	HOSE 10RLC 5/8"
42	2075-451	1	HOSE -8 4000PSI 8FFORX90M 8FFORX90L
43	2075-442	1	HOSE RH TOP *Machines before serial #426 see below
44	2075-443	1	HOSE RH BOTTOM
45	0310-313	4	ADAPTER,12MFFOR-12MB
46	0309-540	1	O-RING,-16 FLANGE 16FLOR
47	2075-756	2	TUBE SAFETY FRONT BOTTOM
48	2075-753	1	VALVE 2 POS 4 WAY SV08-42
49	2075-755	1	TUBE SAFETY FRONT TOP
50	2075-448	1	PUMP CHARGE SAUER
51	2075-757	1	TUBE SAFETY REAR
52	2075-634	1	TUBE CASE DRAIN TRANS
53	0315-010	2	ADAPTER,10MFFOR-10MB
54	0310-346	1	ADAPTER,8MFFOR-8MB-90^
55	2075-897	1	HOSE -10 12FFORX-8FFORX90S 28"
56	8050-282	4	WASHER,WROUGHT,3/8,STD,ZN
57	8051-272	6	WASHER,SPRING LOCK,3/8,ZN
58	8102-222	4	CAPSCREW,HH,3/8-16 UNCx1.0,GD8,ZN
59	2096-164	1	WLMT MOUNT TRANSMISSION
60	2035-841	1	STOP RUBBER W/ 3/8 PLATE
61	8102-220	2	CAPSCREW,HH,3/8-16x0.75",GD8
62	2075-578	1	PUMP AUX A10VO85
63	2075-579	1	PUMP TANDEM A10GV63
64	2076-168	4	RELIEF DRIVE PORT
65	2076-270	4	VALVE SOLENOID PRESSURE REDUCING
66	0201-558	4	O-RING,0.984IDx0.139CS
67	0314-044	1	COUPLING,PORT,TEST,MALE,#4SAE-M PD341
68	8104-497	2	CAPSCREW HH 9/16-18 X 2.00 GD8
69	0090-302	2	WASHER, M14 DIN6916 STRUCTURAL
70	0700-287	2	WASHER,16MMX30MMX5MM

*Serial #'s 101-425

Item	Part #	Qty	Description
10	2076-552	1	HOSE, LH - TOP
43	2076-551	1	HOSE, RH - TOP

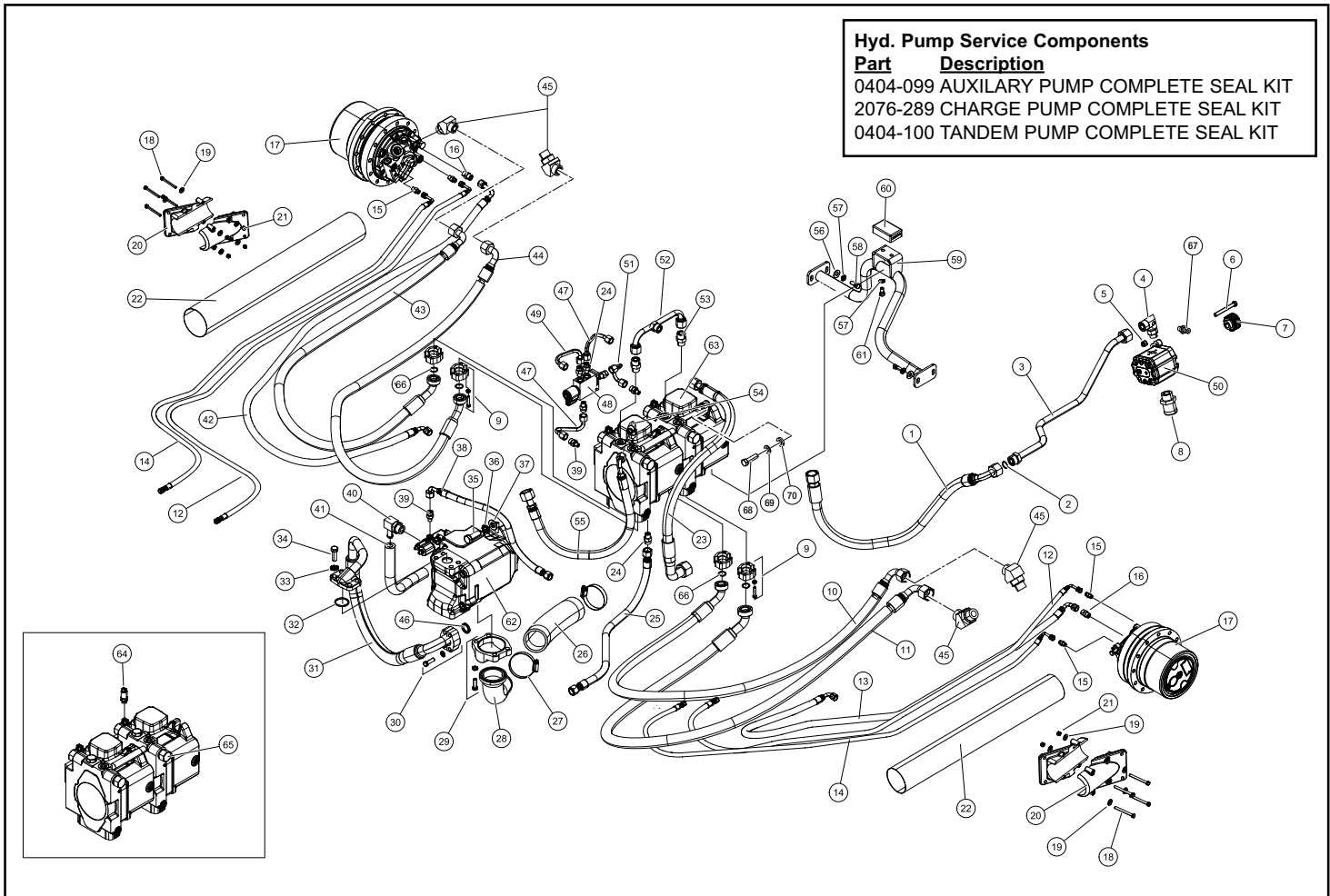
Hyd. Pump Service Components

Part	Description
0404-099	AUXILIARY PUMP COMPLETE SEAL KIT
2076-289	CHARGE PUMP COMPLETE SEAL KIT
0404-100	TANDEM PUMP COMPLETE SEAL KIT



HYDRAULIC DRIVE / AUXILIARY ASSEMBLY (Serial #: 00713-00739)

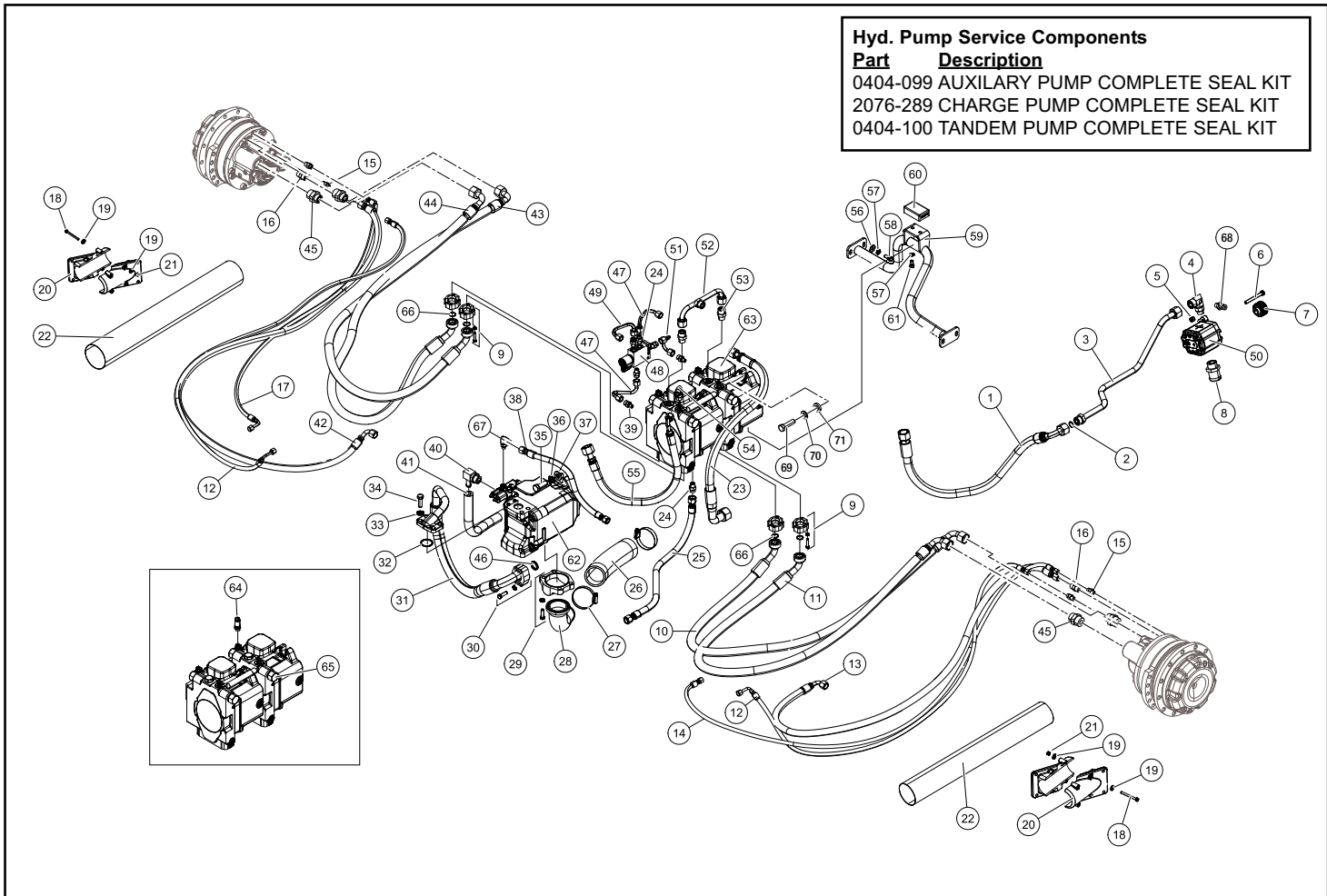
REF. NO.	PART NUMBER	QTY.	DESCRIPTION	REF. NO.	PART NUMBER	QTY.	DESCRIPTION
1	2075-773	1	HOSE -12 12FFORX-12FFORX90S 31"	41	1054-093	1.25'	HOSE 10RLC 5/8"
2	0310-288	1	O-RING,12 ORFF,2-018 N0552	42	2075-451	1	HOSE -8 4000PSI 8FFORX90M 8FFORX90L
3	2075-257	1	TUBE PRESSURE CHARGE REAR	43	2076-524	1	HOSE -12, 6000 PSI, 12FFORX90S
4	0090-398	1	ADAPTER,12MFFOR-10MB-90	44	2076-525	1	HOSE -12, 6000 PSI, 12FFORX90S,
5	8040-486	2	NUT,HEX,NYLOCK,3/8-16 UNC,ZN	45	2035-466	4	ADAPTER O-RING PORT TO ORFS
6	8102-232	2	CAPSCREW,HH,3/8-16,UNCx3.25,GD	46	0309-540	1	O-RING,-16 FLANGE 16FLOR
7	2075-449	1	GEAR CHARGE PUMP	47	2075-756	2	TUBE SAFETY FRONT BOTTOM
8	2075-231	1	ADAPTER 16 MORB-1.5" HB	48	2075-753	1	VALVE 2 POS 4 WAY SV08-42
9	0700-172	4	FLANGE,HALF,12	49	2075-755	1	TUBE SAFETY FRONT TOP
10	2076-526	1	HOSE -12, 6000 PSI, 12FFORX90S,	50	2075-448	1	PUMP CHARGE SAUER
11	2076-527	1	HOSE -12, 6000 PSI, 12FFORX90S	51	2075-757	1	TUBE SAFETY REAR
12	2075-457	1	HOSE -4 4000PSI 4FFORX 4FFORX90L 65"	52	2075-634	1	TUBE CASE DRAIN TRANS
13	2075-455	1	HOSE -8 4000PSI 8FFORX90S 8FFORX90M 180	53	0315-010	2	ADAPTER,10MFFOR-10MB
14	2075-456	2	HOSE -4 4000PSI 4FFORX 4FFORX90L 55"	54	0310-346	1	ADAPTER,8MFFOR-8MB-90^
15	0201-309	4	ADAPTER,FS6400-04-06-0	55	2075-897	1	HOSE -10 12FFORX-8FFORX90S 28"
16	0310-345	2	ADAPTER,8MFFOR-8MB	56	8050-282	4	WASHER,WROUGHT,3/8,STD,ZN
17	258-2971	2	MOTOR HYD BONFIG 2 SPD	57	8051-272	6	WASHER,SPRING LOCK,3/8,ZN
18	8102-052	8	CAPSCREW,HH 1/4-20UNCx3.25 GR8 ZN	58	8102-222	4	CAPSCREW,HH,3/8-16 UNCx1.0,GD8,ZN
19	8050-221	16	WASHER,FLAT,1/4,SAE	59	2096-164	1	WLMT MOUNT TRANSMISSION
20	2076-016	4	ASSY CLAMP HALF	60	2035-841	1	STOP RUBBER W/ 3/8 PLATE
21	8040-366	8	NUT,HEX,NYLOCK,1/4-20 UNC,ZN	61	8102-220	2	CAPSCREW,HH,3/8-16x0.75",GD8
22	0090-255	2	SLEEVE TEXS112 30"	62	2075-578	1	PUMP AUX A10V085
23	2075-772	1	HOSE -12 10FFORX-16FFORX90S 31.7"	63	2095-667	1	PUMP TANDEM A10GV63
24	0310-329	5	ADAPTER,6MFFOR-6MB	64	2076-168	4	RELIEF DRIVE PORT
25	2075-898	1	HOSE -6 1000PSI 6FFORX-6FFORX 25.5"	65	2076-270	4	VALVE SOLENOID PRESSURE REDUCING
26	2075-241	1	HOSE INTAKE AUX	66	0201-558	4	O-RING,0.984IDx0.139CS
27	0090-387	2	CLAMP T-BOLT 2.750 TO 3.063	67	0314-044	1	COUPLING,PORT,TEST,MALE,#4SAE-M PD341
28	2075-239	1	TUBE INTAKE AUX	68	8104-497	2	CAPSCREW HH 9/16-18 X 2.00 GD8
29	0090-207	1	KIT SPLIT FLANGE	69	0090-302	2	WASHER, M14 DIN6916 STRUCTURAL
30	0201-410	1	FLANGE,SPLIT,CODE 61	70	0700-287	2	WASHER,16MMX30MMX5MM
31	2075-961	1	HOSE -16, 5000 PSI 16FL-090, 2075-960, 1				
32	0310-294	1	O-RING,#222,1.50x1.75x.13 (LUTZ)				
33	8051-332	4	WASHER,SPRING LOCK,1/2,ZN				
34	8102-405	4	CAPSCREW,HH,1/2-13 UNCx1.5,GD8				
35	0301-486	2	CAPSCREW,HH M16 x 45mm LONG FULLY THREAD				
36	8051-431	2	WASHER,SPRING LOCK,5/8,ZN				
37	8050-407	2	WASHER,5/8 x .120,ZN				
38	2075-438	1	HOSE -6 4000PSI 6FFORX90S				
39	0314-014	5	ADAPTER,6MFFOR-4MB FS6400-06-04				
40	0090-217	1	ADAPTER 4601-10-12-NOW				



HYDRAULIC DRIVE / AUXILIARY ASSEMBLY (Serial #: 00740-current)

REF. NO.	PART NUMBER	QTY.	DESCRIPTION
1	2075-773	1	HOSE -12 12FFORX-12FFORX90S 31"
2	0310-288	1	O-RING,12 ORFF,2-018 N0552
3	2075-257	1	TUBE PRESSURE CHARGE REAR
4	0090-398	1	ADAPTER,12MFFOR-10MB-90
5	8040-486	2	NUT,HEX,NYLOCK,3/8-16 UNC,ZN
6	8102-232	2	CAPSCREW,HH,3/8-16,UNCx3.25,GD
7	2075-449	1	GEAR CHARGE PUMP
8	2075-231	1	ADAPTER 16 MORB-1.5" HB
9	0700-172	4	FLANGE,HALF,12
10	2095-691	1	HOSE -12, 6000 PSI, 12 FFORX90S
11	2076-527	1	HOSE -12, 6000 PSI, 12FFORX90S
12	2095-690	2	HOSE -4, 450 PSI, 4FFORX, 4FFORX90L
13	2095-693	1	HOSE -8, 400 PSI, 8FFORX, 8FFORX
14	2076-555	1	HOSE -4, 450 PSI, 4FFORX, 4FFORX
15	0201-309	4	ADAPTER,FS6400-04-06-0
16	0310-345	2	ADAPTER,8MFFOR-8MB
17	2095-688	1	HOSE -4, 450 PSI, 4FFORX, 4FFORX90L
18	8102-052	8	CAPSCREW,HH 1/4-20UNCx3.25 GR8 ZN
19	8050-221	16	WASHER,FLAT,1/4,SAE
20	2076-016	4	ASSY CLAMP HALF
21	8040-366	8	NUT,HEX,NYLOCK,1/4-20 UNC,ZN
22	0090-255	2	SLEEVE TEXS112 30"
23	2075-772	1	HOSE -12 10FFORX-16FFORX90S 31.7"
24	0310-329	5	ADAPTER,6MFFOR-6MB
25	2075-898	1	HOSE -6 1000PSI 6FFORX-6FFORX 25.5"
26	2075-241	1	HOSE INTAKE AUX
27	0090-387	2	CLAMP T-BOLT 2.750 TO 3.063
28	2075-239	1	TUBE INTAKE AUX
29	0090-207	1	KIT SPLIT FLANGE
30	0201-410	1	FLANGE,SPLIT,CODE 61
31	2075-961	1	HOSE -16, 5000 PSI 16FL-090, 2075-960, 1
32	0310-294	1	O-RING,#222,1.50x1.75x.13 (LUTZ)
33	8051-332	4	WASHER,SPRING LOCK,1/2,ZN
34	8102-405	4	CAPSCREW,HH,1/2-13 UNCx1.5,GD8
35	0301-486	2	CAPSCREW,HH M16 x 45mm LONG FULLY THREAD
36	8051-431	2	WASHER,SPRING LOCK,5/8,ZN
37	8050-407	2	WASHER,5/8 x .120,ZN
38	2030-227	1	HOSE -6 4000PSI 6FFORX90S
39	0314-014	4	ADAPTER,6MFFOR-4MB FS6400-06-04
40	0090-217	1	ADAPTER 4601-10-12-NOW

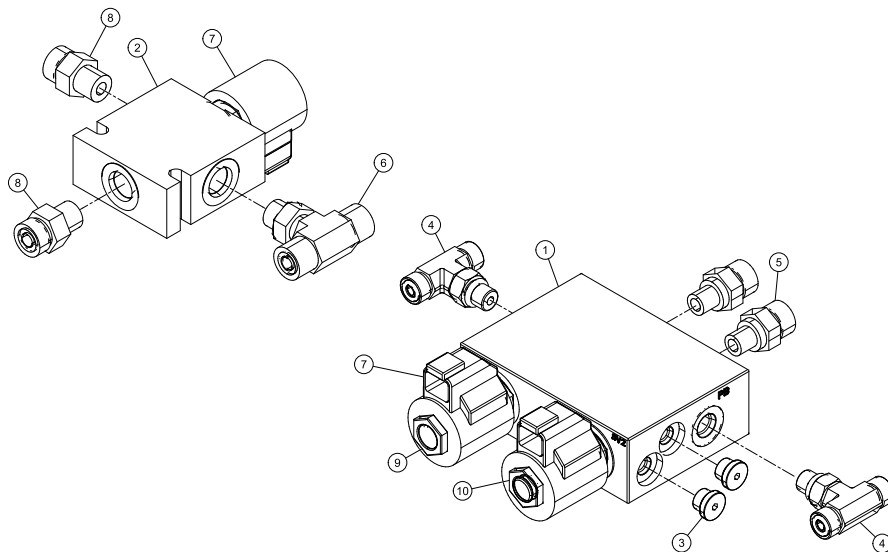
REF. NO.	PART NUMBER	QTY.	DESCRIPTION
41	1054-093	1.25	HOSE 10RLC 5/8"
42	2095-692	1	HOSE -8, 400 PSI, 8FFORX, 8FFORX
43	2095-689	1	HOSE -12, 6000 PSI, 12 FFORX90S
44	2076-525	1	HOSE -12, 6000 PSI, 12FFORX90S,
45	0314-011	4	ADAPTER,12MFFOR-16MB FS6400-12-16
46	0309-540	1	O-RING,-16 FLANGE 16FLOR
47	2075-756	2	TUBE SAFETY FRONT BOTTOM
48	2075-753	1	VALVE 2 POS 4 WAY SV08-42
49	2075-755	1	TUBE SAFETY FRONT TOP
50	2075-448	1	PUMP CHARGE SAUER
51	2075-757	1	TUBE SAFETY REAR
52	2075-634	1	TUBE CASE DRAIN TRANS
53	0315-010	2	ADAPTER,10MFFOR-10MB
54	0310-346	1	ADAPTER,8MFFOR-8MB-90^
55	2075-897	1	HOSE -10 12FFORX-8FFORX90S 28"
56	8050-282	4	WASHER,WROUGHT,3/8,STD,ZN
57	8051-272	6	WASHER,SPRING LOCK,3/8,ZN
58	8102-222	4	CAPSCREW,HH,3/8-16 UNCx1.0,GD8,ZN
59	2096-164	1	WLMT MOUNT TRANSMISSION
60	2035-841	1	STOP RUBBER W/ 3/8 PLATE
61	8102-220	2	CAPSCREW,HH,3/8-16x0.75",GD8
62	2075-578	1	PUMP AUX A10V085
63	2095-667	1	PUMP TANDEM A10GV63
64	2076-168	4	RELIEF DRIVE PORT
65	2076-270	4	VALVE SOLENOID PRESSURE REDUCING
66	0201-558	4	O-RING,0.984IDx0.139CS
67	0310-557	1	ADAPTER,6MFFOR-4MB-90
68	0314-044	1	COUPLING,PORT,TEST,MALE,#4SAE-M PD341
69	8104-497	2	CAPSCREW HH 9/16-18 X 2.00 GD8
70	0090-302	2	WASHER, M14 DIN6916 STRUCTURAL
71	0700-287	2	WASHER,16MMX30MMX5MM



SOLENOID BLOCKS (Serial #: 00101-Current)

Section 14

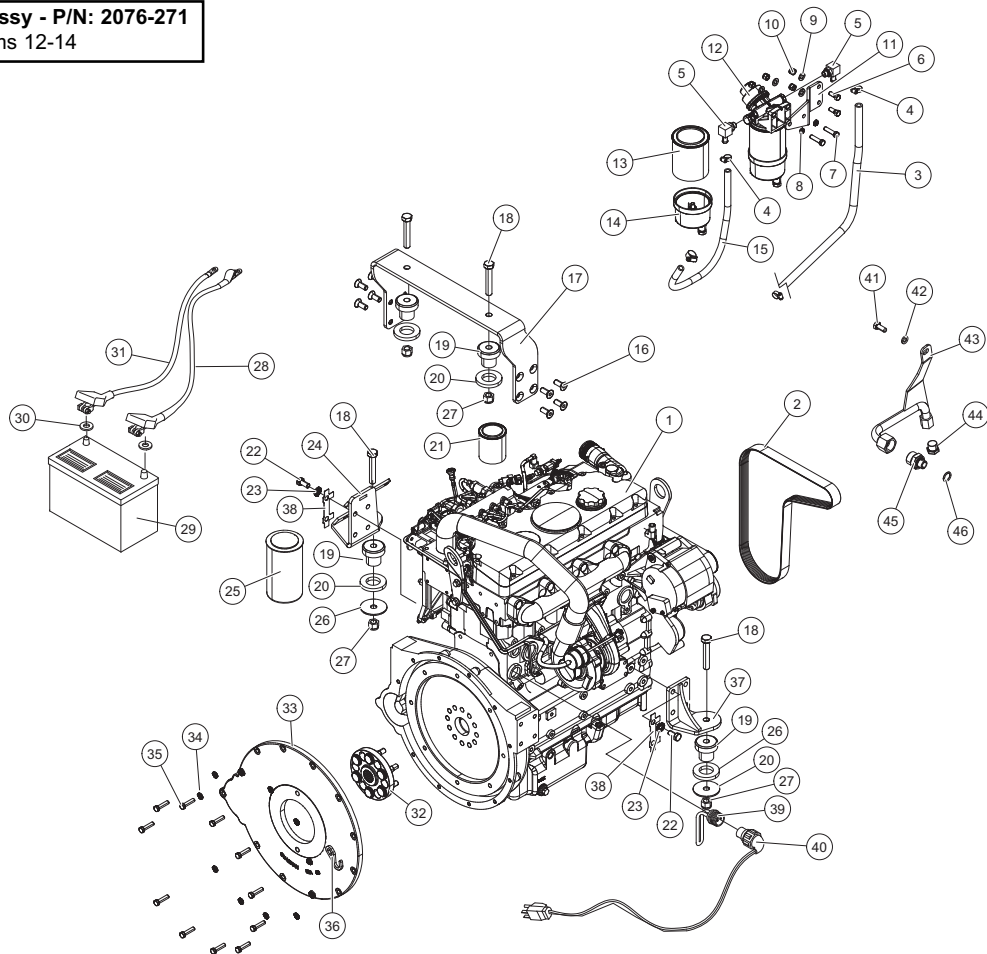
REF. NO.	PART NUMBER	QTY.	DESCRIPTION	REF. NO.	PART NUMBER	QTY.	DESCRIPTION
1	2051-529	1	MANIFOLD 2-SPEED BRAKE				
2	2051-615	1	BLOCK CONTROL				
3	0307-973	2	PLUG,4MB, SOCKET HEAD PLUG,6408-H-04(BREN				
4	0090-205	2	ADAPTER FS6803-04-04-04-NWO-FG				
5	0314-014	2	ADAPTER,6MFFOR-4MB FS6400-06-04				
6	0201-542	1	ADAPTER,TEE,6FS-6FS-6NWO				
7	0200-364	3	SOLENOID,W/DEUTSCH CONNECTOR				
8	0310-329	2	ADAPTER,6MFFOR-6MB				
9	2051-531	1	SPOOL SOLENOID SV08-31				
10	2051-840	2	SPOOL SV08-33				



ENGINE ASSEMBLY (Serial #: 00101-Current)

REF. NO.	PART NUMBER	QTY.	DESCRIPTION	REF. NO.	PART NUMBER	QTY.	DESCRIPTION
1	2076-471	1	ENGINE PERKINS 1104D-E44T ROW 74.5 kW	41	0303-095	1	CAPSCREW M10 x 1.5 x 25 HCS 10.9OZ
2	2076-242	1	BELT FAN STANDARD	42	0090-104	1	WASHER .402 x .728 x .098 HARD
3	1071-020	9'	HOSE,FUEL,1/2 ID	43	2075-645	1	TUBE DRAIN OIL
4	0301-125	4	CLAMP,HOSE,#6 H6	44	0307-439	1	ADAPTER,PLUG,8MB
5	2075-750	2	ADAPTER 1/2" HB-16MM X 1.5 NOW-90S	45	2076-298	1	ADAPTER DRAIN TO 12 MFFOR
6	8102-222	2	CAPSCREW,HH,3/8-16 UNCx1.0,GD8,ZN	46	2076-426	1	O-RING OIL PLUG 18MM x 3MM CS
7	8102-225	2	CAPSCREW,HH,3/8-16 UNCx1.5,GD8,ZN				
8	8051-242	2	WASHER,SPRING LOCK,5/16,ZN				
9	8050-277	4	WASHER,WROUGHT,3/8,SAE,ZN				
10	8040-486	4	NUT,HEX,NYLOCK,3/8-16 UNC,ZN				
11	2045-227	1	BRKT FUEL FILTER				
12	2075-716	1	FILTER HEAD FUEL w/PRIMER				
13	2076-081	1	FILTER FUEL PRIMARY				
14	2075-717	1	BOWL FILTER FUEL				
15	1071-020	2.7'	HOSE,FUEL,1/2 ID				
16	2055-171	8	CAPSCREW,FLHD,SOC,1/2-13UNCx1.				
17	2075-118	1	MNT MOTOR FRONT				
18	8102-593	4	CAPSCREW,HH,5/8-11UNCx3.50,GD8				
19	0201-315	4	MOUNT,MOTOR,RUBBER				
20	2076-539	4	SPACER, MOUNT, MOTOR				
21	2076-082	1	FILTER FUEL SECONDARY				
22	0310-523	8	CAPSCREW,HH M12 x 1.75 x 25mm,Ig 91280A7				
23	8051-332	8	WASHER,SPRING LOCK,1/2,ZN				
24	2075-115	1	WLMT MNT MOTOR RH				
25	0201-859	1	FILTER,OIL,ENGINE,PERKINS				
26	0201-409	4	WASHER,MNT,MOTOR				
27	8040-726	4	NUT,HEX,NYLOCK,5/8-11 UNC,ZN				
28	2075-699	1	CABLE BATTERY NEGATIVE				
29	2076-392	1	BATTERY EXIDE 1000CA				
30	0301-083	2	PROTECTOR,POST,BATTERY				
31	0301-083	1	CABLE BATTERY POSITIVE				
32	2075-361	1	COUPLER PUMP				
33	2075-378	1	PLATE PUMP MOUNT CAST				
34	8051-272	11	WASHER,SPRING LOCK,3/8,ZN				
35	8102-225	11	CAPSCREW,HH,3/8-16 UNCx1.5,GD8,ZN				
36	2075-723	1	SUPPORT CHARGE TUBE				
37	2075-281	1	WLMT MNT MOTOR LH				
38	2040-171	2	TAB LOCKING ENGINE MOUNT				
39	0201-745	1	HEATER,BLOCK,3054c&T				
40	0201-746	1	CORD,HEATER,BLOCK,3054c&T				

Fuel Filter Assy - P/N: 2076-271
Includes items 12-14



INTAKE / EXHAUST ASSEMBLIES (Serial #: 00101-Current)

Section 16

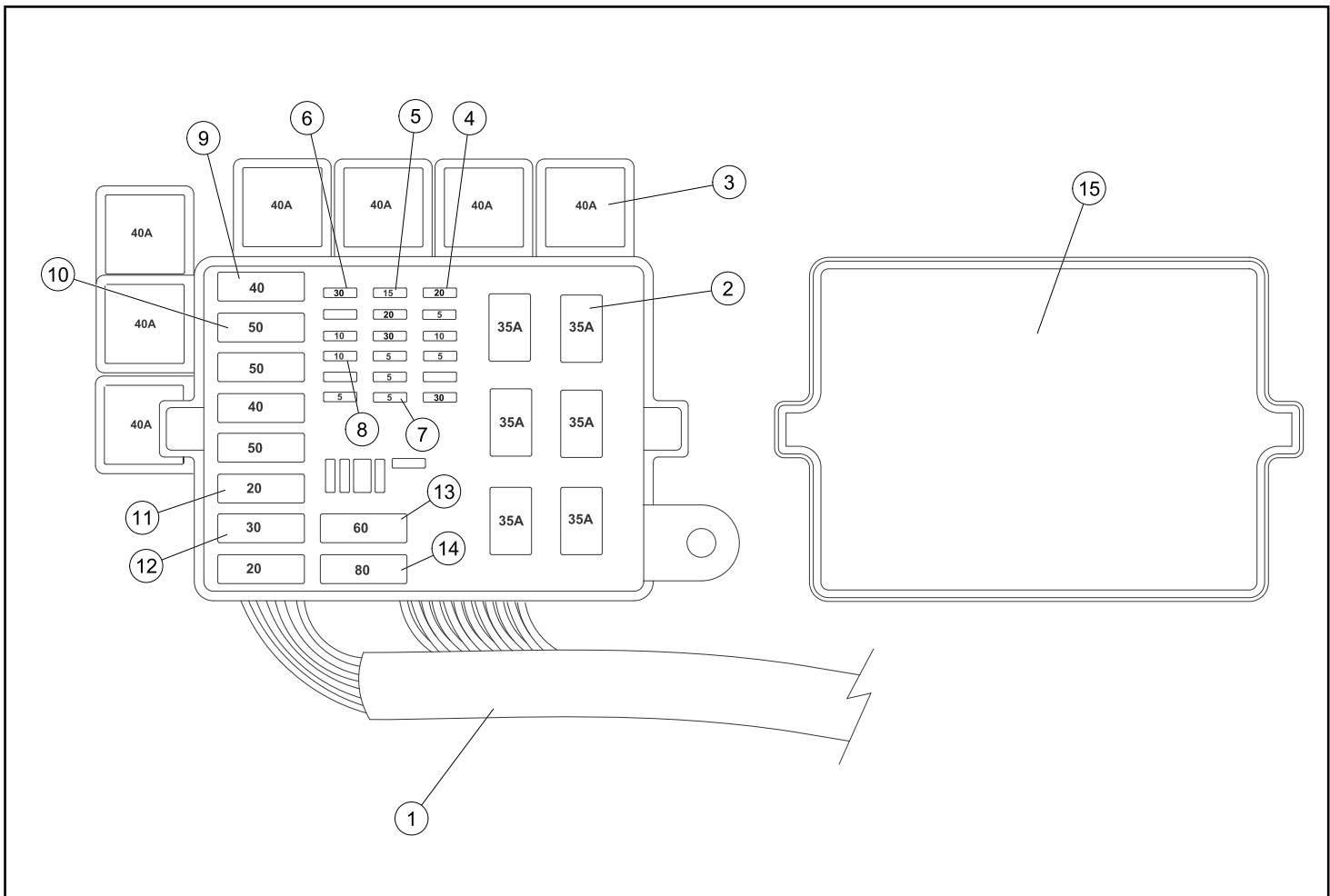
REF. NO.	PART NUMBER	QTY.	DESCRIPTION	REF. NO.	PART NUMBER	QTY.	DESCRIPTION
1	0201-923	1	BLADE,PRECLEANER				
2	0309-450	1	PRECLEANER,ENGINE,AIR,4"				
3	2015-022	4	CLAMP,HOSE,3.75" x 4.125"				
4	2076-058	1	WLMT TUBE PRE CLEANER CHASSIS				
5	8102-132	2	CAPSCREW,HH,5/16-18UNCx1.0 GD8 ,ZN				
6	8040-426	2	NUT,HEX,NYLOCK,5/16-18 UNC,ZN				
7	8102-130	3	CAPSCREW,HH 5/16-18x3/4,GR8				
8	8051-242	3	WASHER,SPRING LOCK,5/16,ZN				
9	2076-017	1	TUBE PRECLEANER FORMED				
10	2075-463	1	WLMT CLASP FILTER				
11	0201-458	1	ASSEMBLY,AIR CLEANER				
12	0201-533	1	FILTER,AIR,SAFETY				
13	0201-510	1	FILTER,AIR,PRIMARY				
14	2076-370	1	WLMT BRKT MUFFLER				
15	2076-540	1	TUBE INTAKE ENGINE				
16	0307-261	1	CLAMP,T-BOLT,3.00"				
17	2076-396	3	STUD M10 X 1.5 X 25 SEALANT COATED				
18	2076-401	1	GASKET TURBO				
19	2076-400	1	ADAPTER TURBO				
20	2076-398	1	ELBOW EXHAUST				
21	2076-425	1	BRACKET EXHAUST ELBOW				
22	2076-397	5	BOLT FLANGED M10 X 1.5 X 25				
23	2076-402	3	NUT FLANGED M10 X 1.5				
24	2076-564	1	WLMT MUFFLER OVAL				
25	2076-403	1	GASKET COLLECTOR 3"				
26	0303-095	10	CAPSCREW M10 x 1.5 x 25 HCS 10.9OZ				
27	0090-104	12	WASHER .402 x .728 x .098 HARD				
28	8102-222	2	CAPSCREW,HH,3/8-16 UNCx1.0,GD8,ZN				
29	0201-534	1	VALVE,VACUATOR				
30	2076-538	1	INTAKE HOSE HEAT BARRIER				
31	2076-550	1	WLMT SUPPORT MUFFLER				
32	0090-006	2	NUT FLANGE 5/16-18 UNC				
33	2076-548	1	CLAMP MUFFLER OVAL				
34	8050-247	2	WASHER,WROUGHT,5/16,SAE,ZN				
35	8102-132	2	CAPSCREW,HH,5/16-18UNCx1.0 GD8 ,ZN				
36	2076-580	1	JACKET MUFFLER ANG INLET				

Muffler Kit- P/N 2076-601 For serial #'s 00101- 00761
Includes items 24,26-28,31& 34-36
Also includes

Part #	Description	QTY
0300-485	NUT,WHIZ LOCK,5/16-18 NC	2
2076-403	GASKET COLLECTOR 3"	1
0310-467	CLAMP,WIRE,1.0,RBC-1	1
0201-628	SPACER,CLAMP	1
0307-584	ADAPTER,HOSE,HEATER	1
2075-790	HOSE, MOTOR TO VALVE	1
8102-134	CAPSCREW,HH,5/16	1

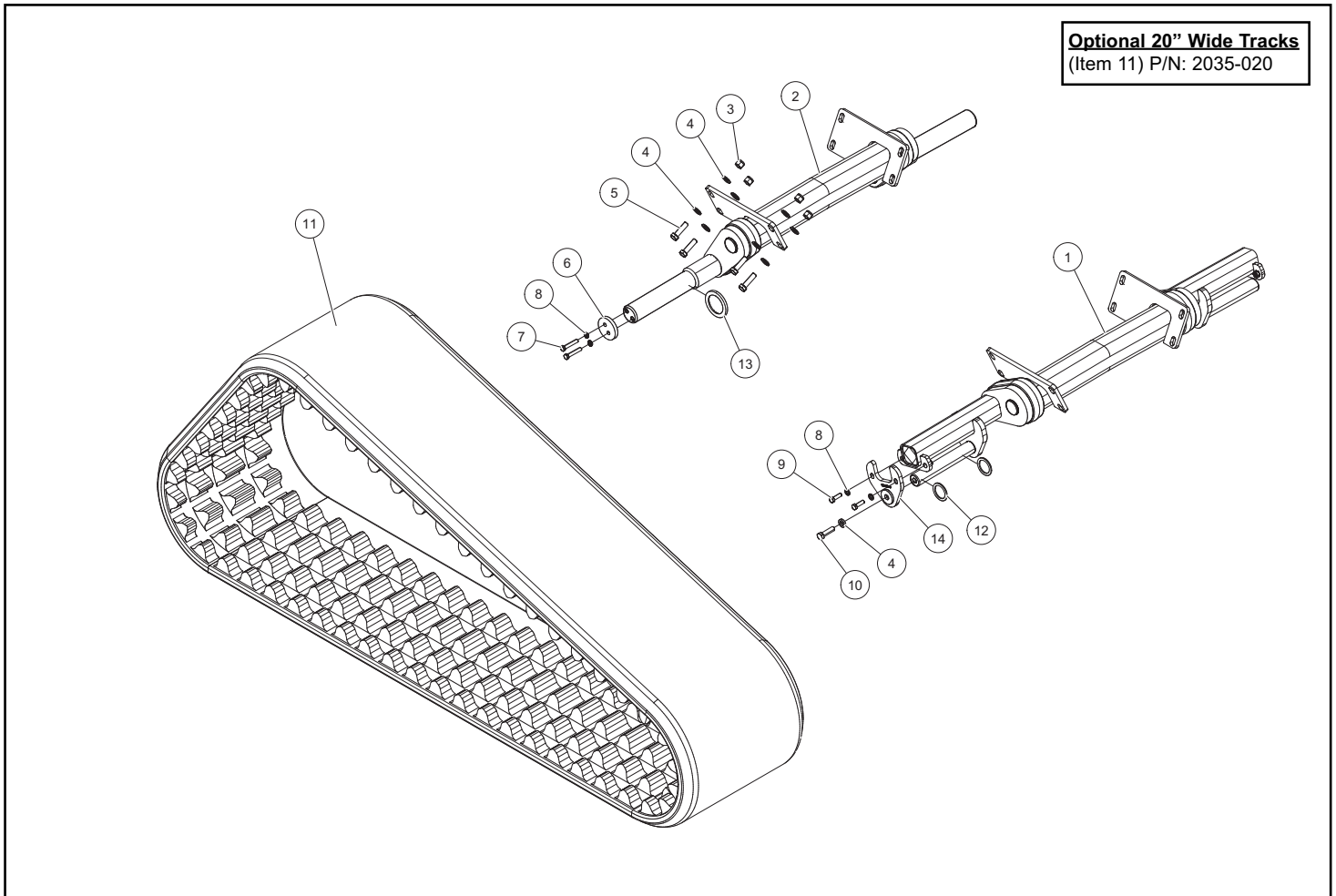
FUSE PANEL ASSEMBLY (Serial #: 00101-Current)

REF. NO.	PART NUMBER	QTY.	DESCRIPTION	REF. NO.	PART NUMBER	QTY.	DESCRIPTION
1	2075-840	1	HARNESS CHASSIS				
2	0310-807	6	RELAY,MINI, 35 AMP				
3	0304-519	7	RELAY,PLUG,GLOW				
4	0310-797	2	FUSE,MINI,20 AMP				
5	0310-796	1	FUSE,MINI,15 AMP				
6	0310-799	3	FUSE,MINI,30 AMP				
7	0310-794	6	FUSE,MINI, 5 AMP				
8	0310-795	3	FUSE,MINI,10 AMP				
9	0310-802	2	FUSE,MAXI, 40 AMP				
10	0310-803	2	FUSE,MAXI, 50 AMP				
11	0310-800	2	FUSE,MAXI,20 AMP				
12	0310-801	1	FUSE,MAXI, 30 AMP				
13	0310-804	1	FUSE,MAXI, 60 AMP				
14	0201-779	1	FUSE,MINI,3 AMP				
15	2075-810	1	COVER FUSE PANEL				



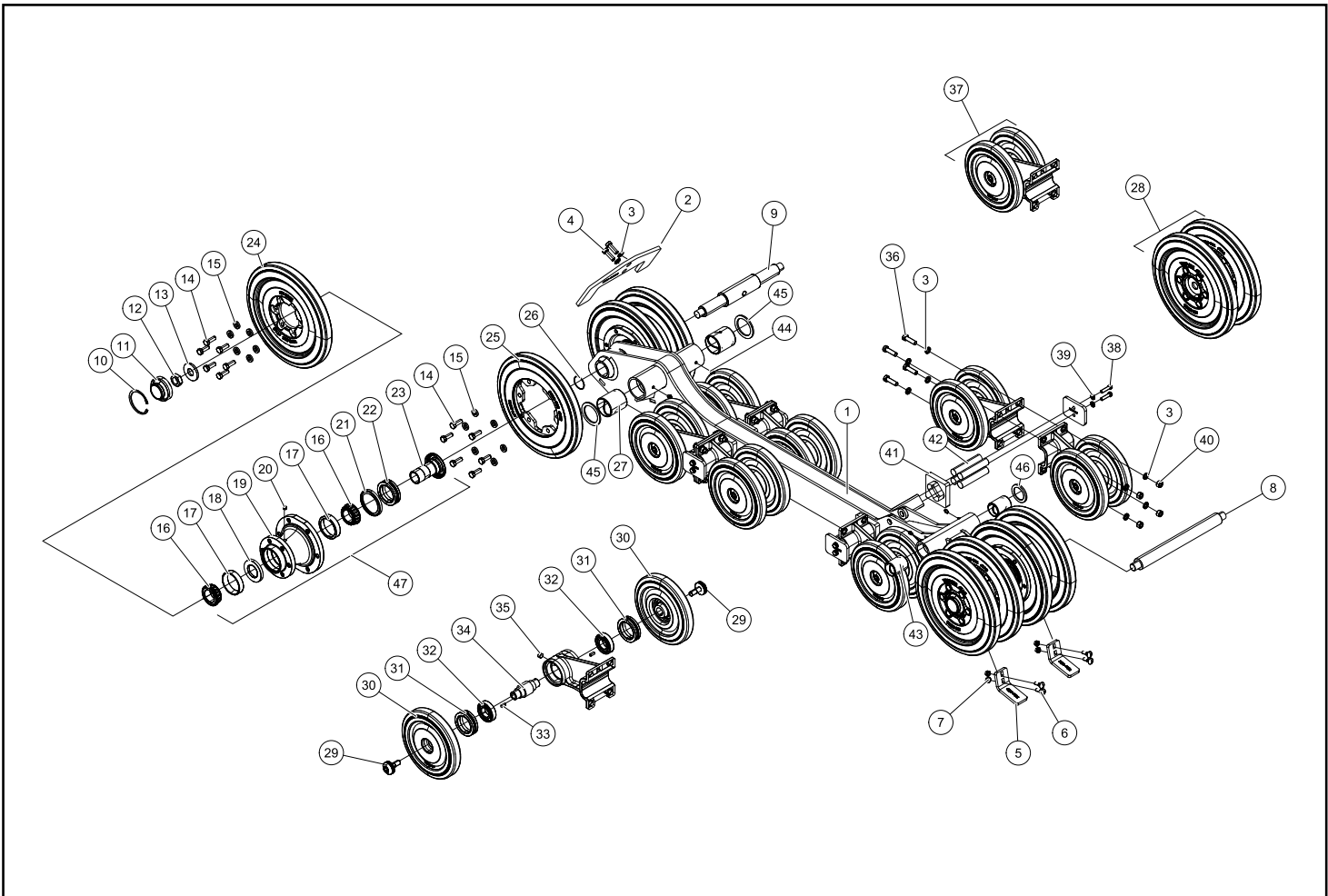
TORSION AXLE ASSEMBLY (Serial #: 00101-Current)

REF. NO.	PART NUMBER	QTY.	DESCRIPTION	REF. NO.	PART NUMBER	QTY.	DESCRIPTION
1	2075-950	1	AXLE FRONT 100				
2	2075-951	1	AXLE REAR 100				
3	8040-726	16	NUT,HEX,NYLOCK,5/8-11 UNC,ZN				
4	0700-287	34	WASHER,16mmX30mmX5mm				
5	8102-588	16	CAPSCREW,HH,5/8-11UNCx2.25,GD8 ZN				
6	0201-148	2	RETAINER,AXLE				
7	0301-764	4	CAPSCREW,HH,M12 x 1.75 x 65MM				
8	2035-597	8	WASHER WROUGHT .0513 x .886 x 0118 HARD				
9	0200-337	4	CAPSCREW,HH,M12x1.75x40MM,GR8.8				
10	0090-254	2	CAPSCREW HH M16-2 x 70MM 10.9				
11	2035-777	2	TRACK 18 x 201				
12	2035-249	4	SPACER, AXLE				
13	0201-147	2	SPACER,1.874X2.500X.125				
14	2035-352	2	WLMT AXLE RETAINER				



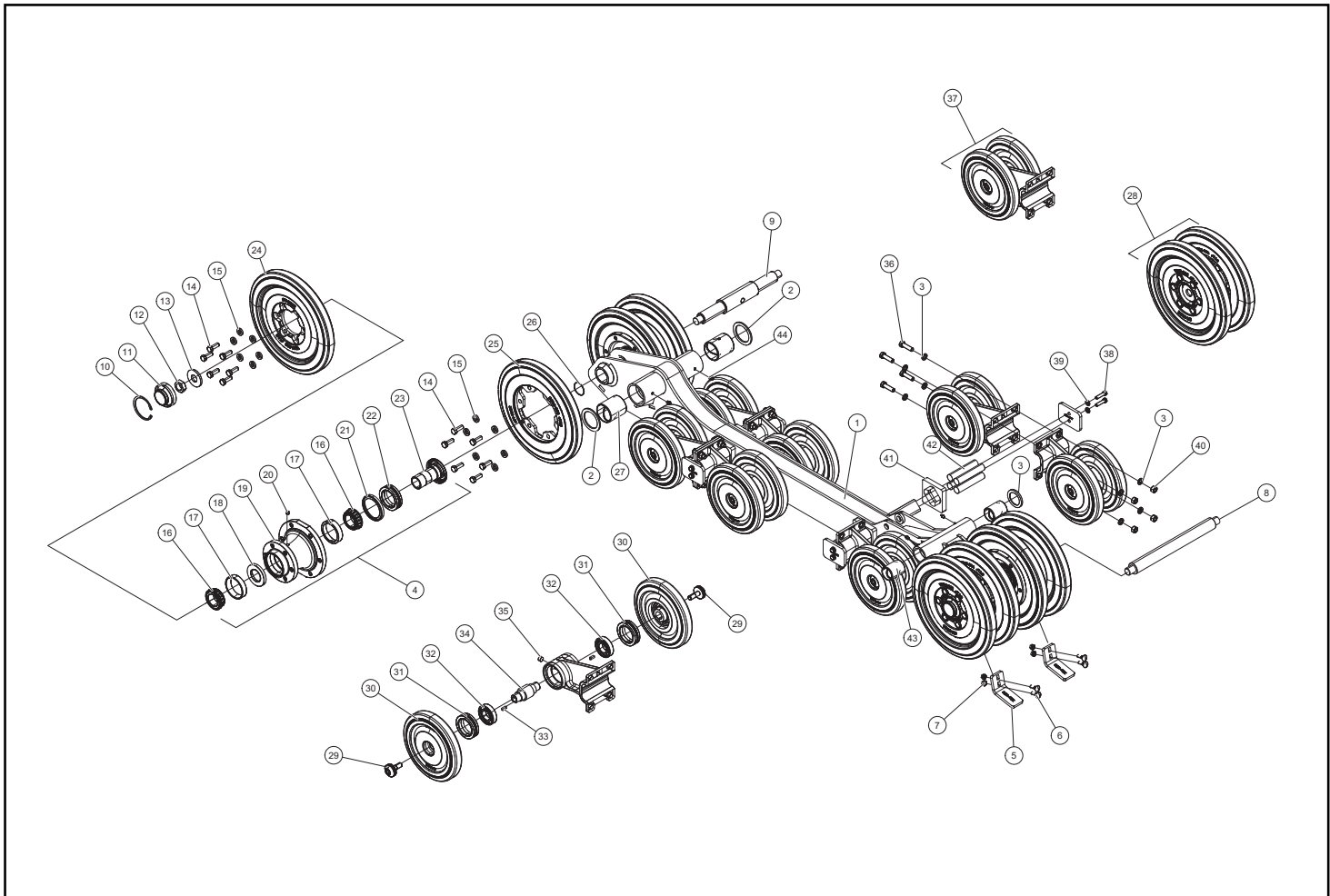
UNDERCARRIAGE ASSEMBLY, RT (Serial #: 00101-00735)

REF. NO.	PART NUMBER	QTY.	DESCRIPTION	REF. NO.	PART NUMBER	QTY.	DESCRIPTION
1	2035-804	1	WLMT RAIL DUAL LEVEL	41	2035-347	4	SPACER,UHMW,WALKING-TANDEM
2	2035-708	1	SCRAPER BETA	42	2035-264	16	CORD,RUBBER,DUAL,LEVEL
3	2035-597	32	WASHER WROUGHT .0513 x .886 x 0118 HARD	43	2035-214	2	BUSHING,SPRING,1.75x2.00x2.50
4	8102-405	2	CAPSCREW,HH,1/2-13 UNCx1.5,GD8	44	0300-946	4	FITTING,GREASE,1/8 NPT
5	2035-159	2	SCRAPER,FRONT,14"	45	2035-249	2	SPACER,1.874X2.500X.125
6	8111-224	4	BOLT,CARRIAGE,3/8-16UNCx1.25,G	46	0201-147	1	SPACER, AXLE
7	2035-344	4	NUT SERRATED FLANGE,3/8-16,UNC	47	2035-812	1	ASSY HUB SPOOL 15"
8	2035-733	1	AXLE C-SERIES				
9	2035-149	1	AXLE,REAR,C-SERIES				
10	2035-124	4	RING,SNAP,TUBE,WHEEL				
11	2035-138	4	CAP,HUB,RUBBER BONDED				
12	2035-093	4	NUT 1.00-8 JAM LOCK ALL STEEL				
13	2035-092	4	WASHER,1.060x2.5x.250				
14	2035-659	48	CAPSCREW HH 1/2-13 x 1.375 GR8				
15	0090-136	48	WASHER HARD 1.0 X .531 X .197				
16	2035-018	8	BEARING,CONE,25584-20395				
17	2035-017	8	BEARING,CUP,25520-20082				
18	2035-238	4	SEAL INTERNAL END				
19	2035-814	4	HUB MACHINED SPOOL 15"				
20	2035-320	12	PLUG 1/8" NPT HEX W/SEALANT				
21	2035-360	4	RETAINER SEAL INNER				
22	2035-189	4	ASSY,SEAL,EAGLE,FS-000461				
23	2035-145	4	WLMT,SLEEVE,EAGLE				
24	2035-713	4	WHEEL 15" OUTER				
25	2035-712	4	WHEEL 15" INNER				
26	2035-135	4	O-RING #31				
27	2035-215	2	BUSHING,SPRING,2.50x2.75x3.00				
28	2035-816	4	ASSY IDLER WHEEL ASSY				
29	2035-289	16	BOLT O-RING FLANGE 5/8-18 SOC HD				
30	2035-179	16	WHEEL 10" THIN				
31	2035-189	16	ASSY,SEAL,EAGLE,FS-000461				
32	0307-923	16	BEARING,BALL,6207-OPEN				
33	2035-212	16	KEY .250 x .250 x .750"				
34	2035-211	8	SHAFT HALF CARRIAGE				
35	0301-103	8	PLUG,3/8-18 NPT,SOCKET HD				
36	8102-406	16	CAPSCREW,HH,1/2-13UNCx1.75,GD8				
37	2035-205	8	ASSY,BOGIE CARRIAGE,2ND LVL				
38	8102-225	8	CAPSCREW,HH,3/8-16 UNCx1.5,GD8,ZN				
39	0090-104	8	WASHER .402 x .728 x .098 HARD				
40	8042-602	16	NUT,HEX,1/2-13 UNC,ZN				



UNDERCARRIAGE ASSEMBLY, RT (Serial #: 00736-Current)

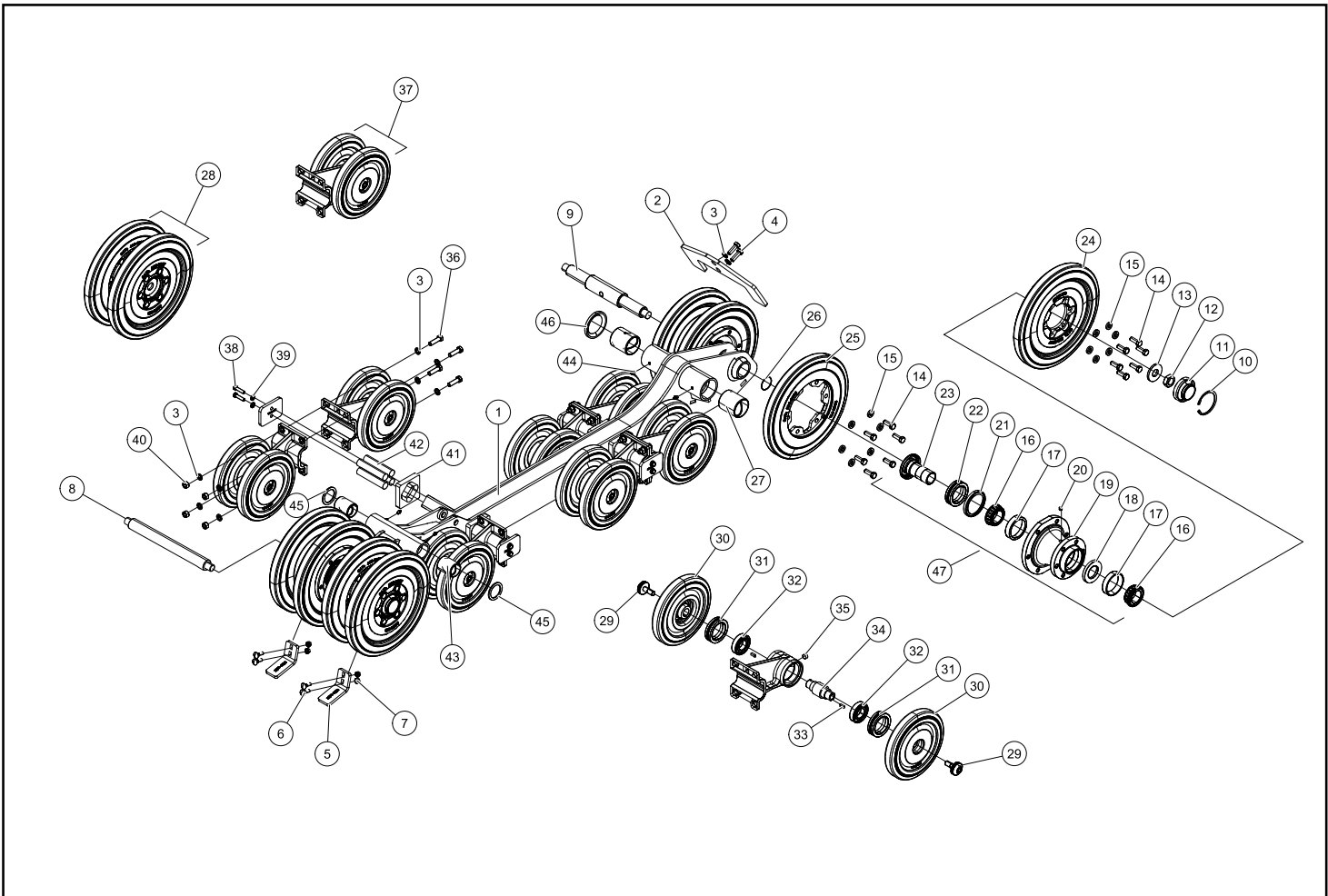
REF. NO.	PART NUMBER	QTY.	DESCRIPTION	REF. NO.	PART NUMBER	QTY.	DESCRIPTION
1	2035-804	1	WLMT RAIL DUAL LEVEL	41	2035-347	4	SPACER,UHMW,WALKING-TANDEM
2	2035-249	2	SPACER,1.874X2.500X.125	42	2035-264	16	CORD,RUBBER,DUAL_LEVEL
3	0201-147	1	SPACER, AXLE	43	2035-214	2	BUSHING,SPRING,1.75x2.00x2.50
4	2036-114	4	ASSY HUB SPOOL 15"	44	0300-946	4	FITTING,GREASE,1/8 NPT
5	2035-159	4	SCRAPER,,14"				
6	8111-224	8	BOLT,CARRIAGE,3/8-16UNCX1.25,G				
7	2035-344	8	NUT SERRATED FLANGE,3/8-16,UNC				
8	2035-733	1	AXLE C-SERIES				
9	2035-149	1	AXLE,REAR,C-SERIES				
10	2035-124	4	RING,SNAP,TUBE,WHEEL				
11	2035-138	4	CAP,HUB,RUBBER BONDED				
12	2035-093	4	NUT 1.00-8 JAM LOCK ALL STEEL				
13	2035-092	4	WASHER,1.060x2.5x.250				
14	2035-659	48	CAPSCREW HH 1/2-13 x 1.375 GR8				
15	0090-136	48	WASHER HARD 1.0 X .531 X .197				
16	2035-018	8	BEARING,CONE,25584-20395				
17	2035-017	8	BEARING,CUP,25520-20082				
18	2035-238	4	SEAL INTERNAL END				
19	2035-814	4	HUB MACHINED SPOOL 15"				
20	2035-320	12	PLUG 1/8" NPT HEX W/SEALANT				
21	2035-360	4	RETAINER SEAL INNER				
22	2035-189	4	ASSY,SEAL,EAGLE,FS-000461				
23	2035-145	4	WLMT,SLEEVE,EAGLE				
24	2035-713	4	WHEEL 15" OUTER				
25	2035-712	4	WHEEL 15" INNER				
26	2035-135	4	O-RING #31				
27	2035-215	2	BUSHING,SPRING,2.50x2.75x3.00				
28	2036-113	4	ASSY IDLER WHEEL ASSY				
29	2035-289	16	BOLT O-RING FLANGE 5/8-18 SOC HD				
30	2035-179	16	WHEEL 10" THIN				
31	2036-117	16	ASSEMBLY FACESEAL 60mm				
32	0307-923	16	BEARING,BALL,6207-OPEN				
33	2035-212	16	KEY .250 x .250 x .750"				
34	2035-211	8	SHAFT HALF CARRIAGE				
35	0301-103	8	PLUG,3/8-18 NPT,SOCKET HD				
36	8102-406	16	CAPSCREW,HH,1/2-13UNCx1.75,GD8				
37	2035-205	8	ASSY,BOGIE CARRIAGE,2ND LVL				
38	8102-225	8	CAPSCREW,HH,3/8-16 UNCx1.5,GD8,ZN				
39	0090-104	8	WASHER .402 x .728 x .098 HARD				
40	8042-602	16	NUT,HEX,1/2-13 UNC,ZN				



UNDERCARRIAGE ASSEMBLY, LT (Serial #: 00101-00735)

Section 20

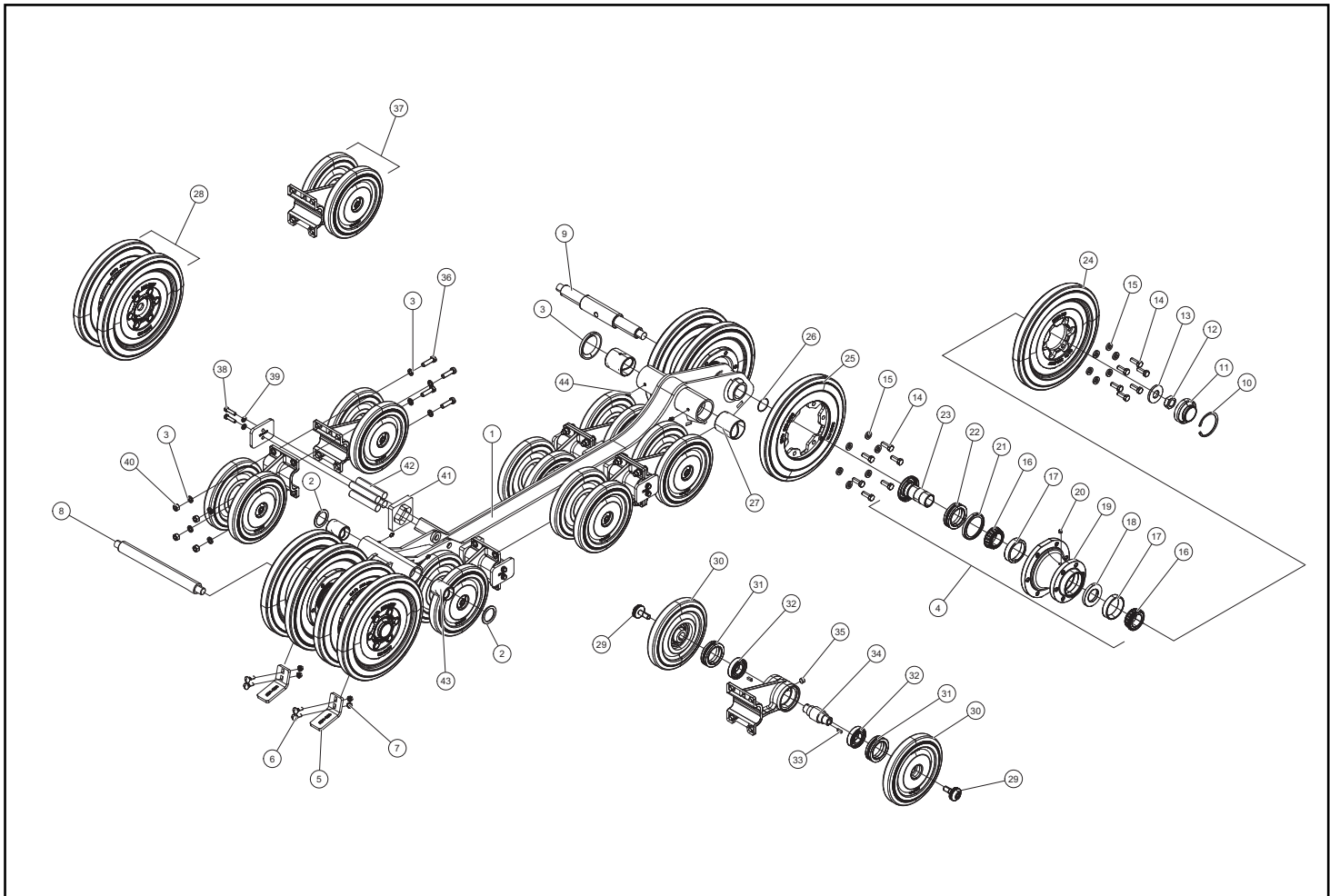
REF. NO.	PART NUMBER	QTY.	DESCRIPTION	REF. NO.	PART NUMBER	QTY.	DESCRIPTION
1	2035-804	1	WLMT RAIL DUAL LEVEL	41	2035-347	4	SPACER,UHMW,WALKING-TANDEM
2	2035-708	1	SCRAPER BETA	42	2035-264	16	CORD,RUBBER,DUAL,LEVEL
3	2035-597	32	WASHER WROUGHT .0513 x .886 x 0118 HARD	43	2035-214	2	BUSHING,SPRING,1.75x2.00x2.50
4	8102-405	2	CAPSCREW,HH,1/2-13 UNCx1.5,GD8	44	0300-946	4	FITTING,GREASE,1/8 NPT
5	2035-159	2	SCRAPER,FRONT,14"	45	2035-249	2	SPACER,1.874X2.500X.125
6	8111-224	4	BOLT,CARRIAGE,3/8-16UNCx1.25,G	46	0201-147	1	SPACER, AXLE
7	2035-344	4	NUT SERRATED FLANGE,3/8-16,UNC	47	2035-812	1	ASSY HUB SPOOL 15"
8	2035-733	1	AXLE C-SERIES				
9	2035-149	1	AXLE,REAR,C-SERIES				
10	2035-124	4	RING,SNAP,TUBE,WHEEL				
11	2035-138	4	CAP,HUB,RUBBER BONDED				
12	2035-093	4	NUT 1.00-8 JAM LOCK ALL STEEL				
13	2035-092	4	WASHER,1.060x2.5x.250				
14	2035-659	48	CAPSCREW HH 1/2-13 x 1.375 GR8				
15	0090-136	48	WASHER HARD 1.0 X .531 X .197				
16	2035-018	8	BEARING,CONE,25584-20395				
17	2035-017	8	BEARING,CUP,25520-20082				
18	2035-238	4	SEAL INTERNAL END				
19	2035-814	4	HUB MACHINED SPOOL 15"				
20	2035-320	12	PLUG 1/8" NPT HEX W/SEALANT				
21	2035-360	4	RETAINER SEAL INNER				
22	2035-189	4	ASSY,SEAL,EAGLE,FS-000461				
23	2035-145	4	WLMT,SLEEVE,EAGLE				
24	2035-713	4	WHEEL 15" OUTER				
25	2035-712	4	WHEEL 15" INNER				
26	2035-135	4	O-RING #31				
27	2035-215	2	BUSHING,SPRING,2.50x2.75x3.00				
28	2035-816	4	ASSY IDLER WHEEL ASSY				
29	2035-298	16	BOLT O-RING FLANGE 5/8-18 SOC HD				
30	2035-179	16	WHEEL 10" THIN				
31	2035-189	16	ASSY,SEAL,EAGLE,FS-000461				
32	0307-923	16	BEARING,BALL,6207-OPEN				
33	2035-212	16	KEY .250 x .250 x .750"				
34	2035-211	8	SHAFT HALF CARRIAGE				
35	0301-103	8	PLUG,3/8-18 NPT,SOCKET HD				
36	8102-406	16	CAPSCREW,HH,1/2-13UNCx1.75,GD8				
37	2035-205	8	ASSY,BOGIE CARRIAGE,2ND LVL				
38	8102-225	8	CAPSCREW,HH,3/8-16 UNCx1.5,GD8,ZN				
39	0090-104	8	WASHER .402 x .728 x .098 HARD				
40	8042-602	16	NUT,HEX,1/2-13 UNC,ZN				



UNDERCARRIAGE ASSEMBLY, LT (Serial #: 00736-Current)

Section 20

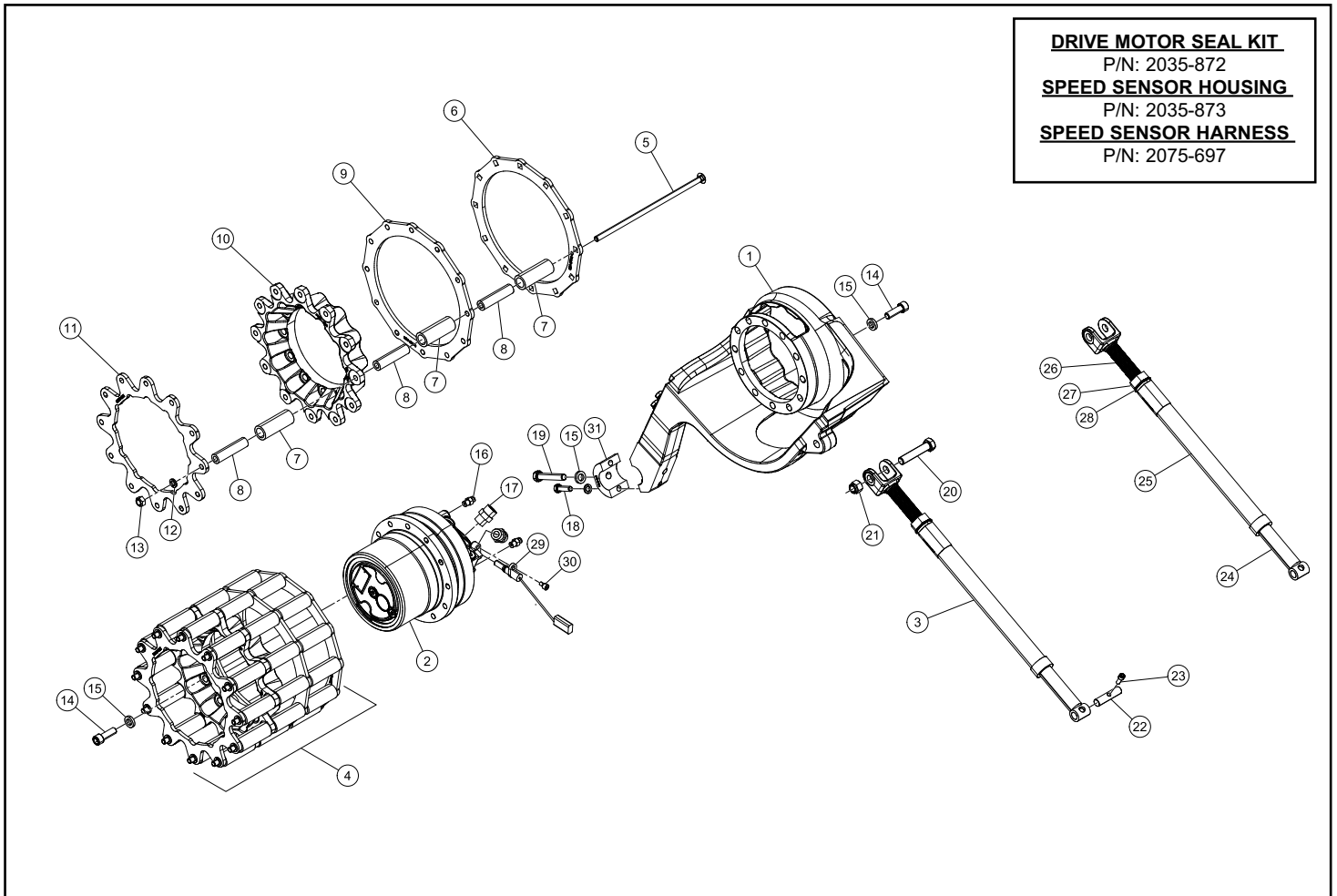
REF. NO.	PART NUMBER	QTY.	DESCRIPTION	REF. NO.	PART NUMBER	QTY.	DESCRIPTION
1	2035-804	1	WLMT RAIL DUAL LEVEL	41	2035-347	4	SPACER,UHMW,WALKING-TANDEM
2	2035-249	2	SPACER,1.874X2.500X.125	42	2035-264	16	CORD,RUBBER,DUAL,LEVEL
3	0201-147	1	SPACER, AXLE	43	2035-214	2	BUSHING,SPRING,1.75x2.00x2.50
4	2036-114	4	ASSY HUB SPOOL 15"	44	0300-946	4	FITTING,GREASE,1/8 NPT
5	2035-159	4	SCRAPER,,14"				
6	8111-224	8	BOLT,CARRIAGE,3/8-16UNCX1.25,G				
7	2035-344	8	NUT SERRATED FLANGE,3/8-16,UNC				
8	2035-733	1	AXLE C-SERIES				
9	2035-149	1	AXLE,REAR,C-SERIES				
10	2035-124	4	RING,SNAP,TUBE,WHEEL				
11	2035-138	4	CAP,HUB,RUBBER BONDED				
12	2035-093	4	NUT 1.00-8 JAM LOCK ALL STEEL				
13	2035-092	4	WASHER,1.060x2.5x.250				
14	2035-659	48	CAPSCREW HH 1/2-13 x 1.375 GR8				
15	0090-136	48	WASHER HARD 1.0 X .531 X .197				
16	2035-018	8	BEARING,CONE,25584-20395				
17	2035-017	8	BEARING,CUP,25520-20082				
18	2035-238	4	SEAL INTERNAL END				
19	2035-814	4	HUB MACHINED SPOOL 15"				
20	2035-320	12	PLUG 1/8" NPT HEX W/SEALANT				
21	2035-360	4	RETAINER SEAL INNER				
22	2035-189	4	ASSY,SEAL,EAGLE,FS-000461				
23	2035-145	4	WLMT,SLEEVE,EAGLE				
24	2035-713	4	WHEEL 15" OUTER				
25	2035-712	4	WHEEL 15" INNER				
26	2035-135	4	O-RING #31				
27	2035-215	2	BUSHING,SPRING,2.50x2.75x3.00				
28	2036-113	4	ASSY IDLER WHEEL ASSY				
29	2035-289	16	BOLT O-RING FLANGE 5/8-18 SOC HD				
30	2035-179	16	WHEEL 10" THIN				
31	2036-117	16	ASSEMBLY FACESEAL 60mm				
32	0307-923	16	BEARING,BALL,6207-OPEN				
33	2035-212	16	KEY .250 x .250 x .750"				
34	2035-211	8	SHAFT HALF CARRIAGE				
35	0301-103	8	PLUG,3/8-18 NPT,SOCKET HD				
36	8102-406	16	CAPSCREW,HH,1/2-13UNCx1.75,GD8				
37	2035-205	8	ASSY,BOGIE CARRIAGE,2ND LVL				
38	8102-225	8	CAPSCREW,HH,3/8-16 UNCx1.5,GD8,ZN				
39	0090-104	8	WASHER .402 x .728 x .098 HARD				
40	8042-602	16	NUT,HEX,1/2-13 UNC,ZN				



DRIVE TABLE ASSEMBLY, RT (Serial #: 00101-00739)

Section 21

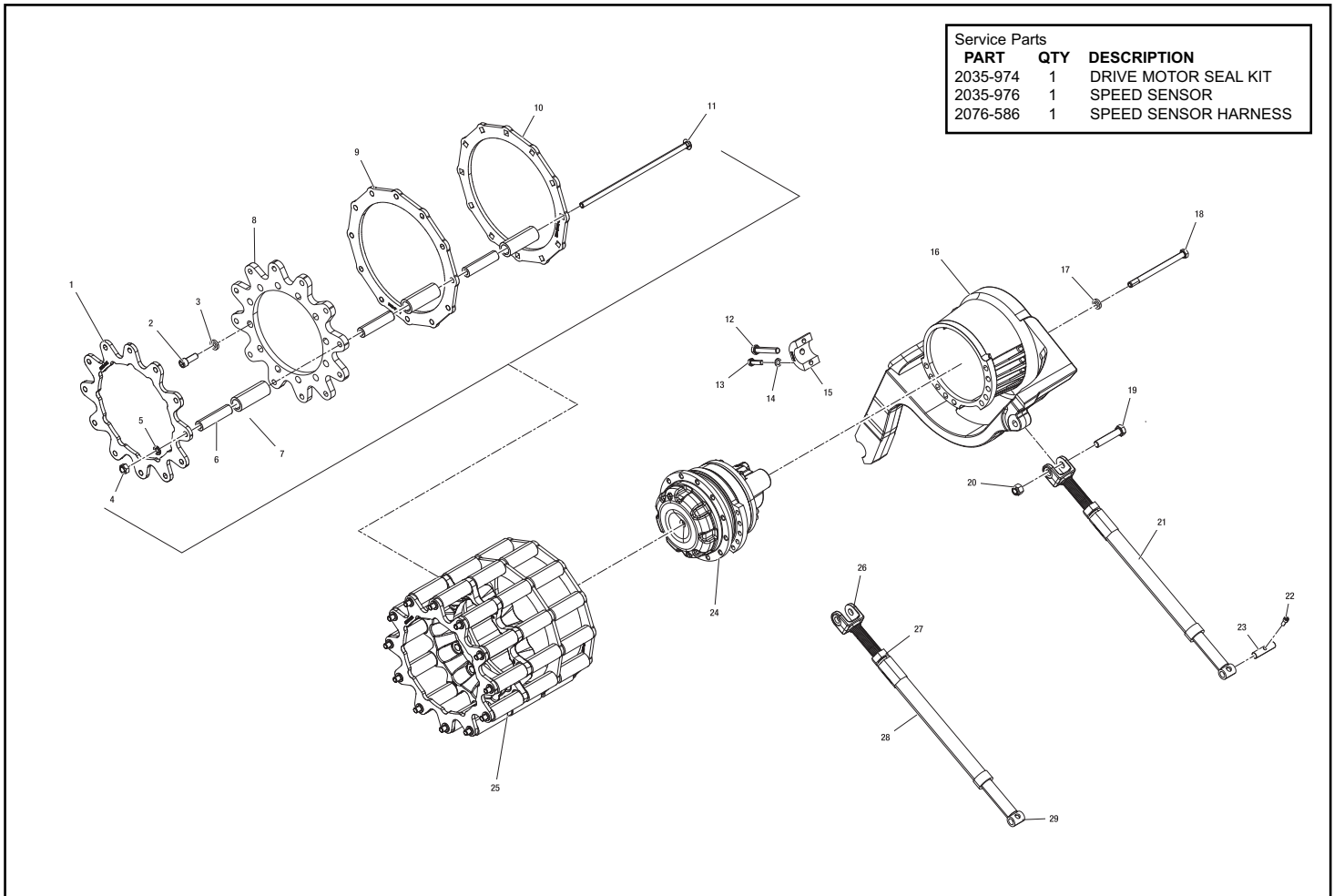
REF. NO.	PART NUMBER	QTY.	DESCRIPTION	REF. NO.	PART NUMBER	QTY.	DESCRIPTION
1	2035-683	1	TABLE MACHINE RH BON FIG				
2	258-2971	1	MOTOR HYD BONFIG 2 SPD				
3	2035-142	1	TURNBUCKLE,LIGHT				
4	2035-129	1	ASSY SPROCKET BON FIG				
5	2035-654	12	BOLT CARRIAGE 1/2-13 UNC x 14.625" GR8				
6	2035-120	1	RING,SPROCKET,BONFIG				
7	2035-268	36	TOOTH,DRIVE,SPROCKET,3.938"				
8	2035-267	36	TOOTH,DRIVE,SPROCKET,4.063"				
9	2035-296	1	RING,SPROCKET,INNER				
10	2035-195	1	SPROCKET,MACH,C-SERIES				
11	2035-128	1	RING,SPROCKET,OUTER				
12	2035-597	14	WASHER WROUGHT .0513 x .886 x 0118 HARDR				
13	0700-124	12	NUT,TOPLock,1/2-13UNC,ZN,GD8				
14	0090-160	24	CAPSCREW SOCKET HD 16 X 50 MM				
15	0700-287	25	WASHER,16mmX30mmX5mm				
16	0201-309	2	ADAPTER,FS6400-04-06-0				
17	0315-005	2	ADAPTER,12MFFOR-12MB				
18	8102-406	2	CAPSCREW,HH,1/2-13UNCx1.75,GD8				
19	0090-026	1	CAPSCREW HH 5/8-11 x 3.75				
20	0304-408	1	CAPSCREW,HH,3/4-10UNC3.75,GD8,				
21	8040-786	1	NUT,HEX,NYLOCK,3/4-10 UNC,ZN				
22	2035-308	1	PIN,TENSIONER,THREADED				
23	2035-471	1	CAPSCREW SOC HD 3/8-16 x 1				
24	2035-310	1	WLMT,TENSIONER END,W/HOLE				
25	2035-382	1	WLMT TENSIONER CENTER HEX				
26	2035-448	1	CLEVIS END TENSIONER MACHINED				
27	0304-077	1	NUT,HEX,JAM,1 1/4 - 7,RH				
28	0090-262	1	WASHER SAFETY S33-1.25"				
29	2035-472	1	SENSOR SPEED BON FIG				
30	2035-473	1	CAPSCREW SOC HD 8M-1.25 x 12				
31	2035-062	1	CAP,AXLE				



DRIVE TABLE ASSEMBLY, RT (Serial #: 00740-Current)

Section 21

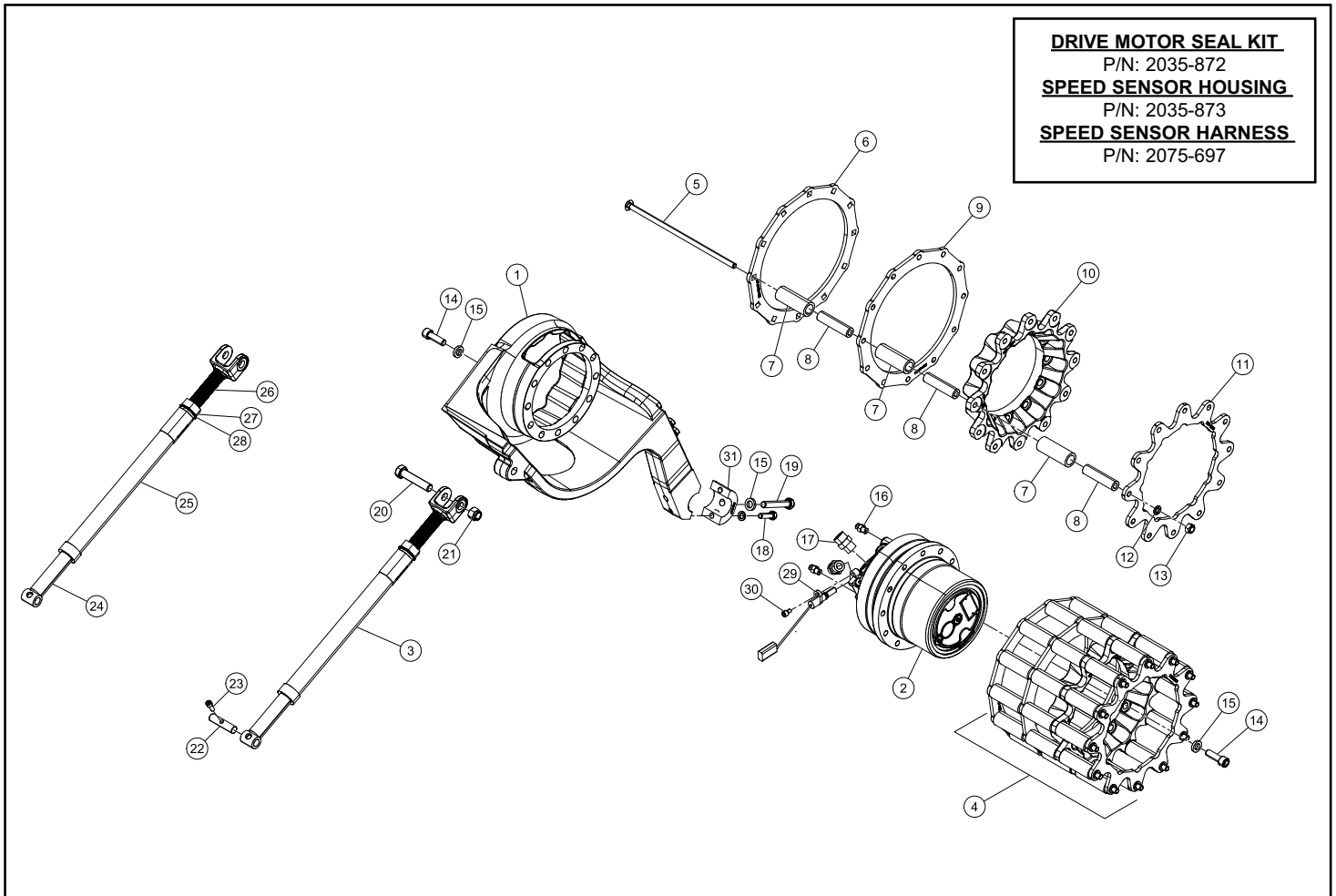
REF. NO.	PART NUMBER	QTY.	DESCRIPTION	REF. NO.	PART NUMBER	QTY.	DESCRIPTION
1	2035-120	1	SPROCKET DRIVE MCRT				
2	2035-197	12	CAPSCREW,SOC HD,M16X2.0,45MM				
3	0700-287	12	WASHER,16mmX30mmX5mm				
4	0700-124	12	NUT,TOPLock,1/2-13UNC,ZN,GD8				
5	2035-597	12	WASHER WROUGHT				
6	2035-267	36	TOOTH,DRIVE,SPROCKET,4.063"				
7	2035-268	36	TOOTH,DRIVE,SPROCKET,3.938"				
8	2035-889	1	SPROCKET,MACH,C-SERIES				
9	2035-296	1	RING,SPROCKET,INNER				
10	2035-120	1	RING,SPROCKET,BONFIG				
11	2035-654	12	BOLT CARRIAGE 1/2-13 UNC x 14.625" GR8				
12	0090-026	1	CAPSCREW HH 5/8-11 x 3.75				
13	8102-406	2	CAPSCREW,HH,1/2-13UNCx1.75,GD8				
14	2035-597	2	WASHER WROUGHT				
15	2035-062	1	CAP,AXLE				
16	2035-955	1	TABLE MACHINED MCRT LH				
17	0700-287	10	WASHER,16mmX30mmX5mm				
18	0090-568	10	CAP SCREW SOCKET HEAD ,M16-2.0 x 220mm				
19	0304-408	1	CAPSCREW,HH,3/4-10UNC3.75,GD8,				
20	8040-786	1	NUT,HEX,NYLOCK,3/4-10 UNC,ZN				
21	2035-142	1	TURNBUCKLE,LIGHT				
22	2035-471	1	CAPSCREW SOC HD 3/8-16 x 1				
23	2035-308	1	PIN,TENSIONER,THREADED				
24	2035-960	1	MOTOR HYDRAULIC MCR6T 9X6				
25	2035-890	1	ASSY SPROCKET MCRT				
26	2035-448	1	CLEVIS END TENSIONER MACHINED				
27	0304-077	1	NUT,HEX,JAM,1 1/4 - 7,RH				
28	2035-382	1	WLMT TENSIONER CENTER HEX				
29	2035-310	1	WLMT,TENSIONER END,W/HOLE				



DRIVE TABLE ASSEMBLY, LT (Serial #: 00101-00739)

Section 22

REF. NO.	PART NUMBER	QTY.	DESCRIPTION	REF. NO.	PART NUMBER	QTY.	DESCRIPTION
1	2035-682	1	TABLE MACHINE LH BON FIG				
2	258-2971	1	MOTOR HYD BONFIG 2 SPD				
3	2035-142	1	TURNBUCKLE,LIGHT				
4	2035-129	1	ASSY SPROCKET BON FIG				
5	2035-654	12	BOLT CARRIAGE 1/2-13 UNC x 14.625" GR8				
6	2035-120	1	RING,SPROCKET,BONFIG				
7	2035-268	36	TOOTH,DRIVE,SPROCKET,3.938"				
8	2035-267	36	TOOTH,DRIVE,SPROCKET,4.063"				
9	2035-296	1	RING,SPROCKET,INNER				
10	2035-195	1	SPROCKET,MACH,C-SERIES				
11	2035-128	1	RING,SPROCKET,OUTER				
12	2035-597	12	WASHER WROUGHT .0513 x .886 x 0118 HARD				
13	0700-124	12	NUT,TOPLock,1/2-13UNC,ZN,GD8				
14	0090-160	24	CAPSCREW SOCKET HD 16 X 50 MM				
15	0700-287	25	WASHER,16mmX30mmX5mm				
16	0201-309	2	ADAPTER,FS6400-04-06-0				
17	0315-005	2	ADAPTER,12MFFOR-12MB				
18	8102-406	2	CAPSCREW,HH,1/2-13UNCx1.75,GD8				
19	0090-026	1	CAPSCREW HH 5/8-11 x 3.75				
20	0304-408	1	CAPSCREW,HH,3/4-10UNC3.75,GD8,				
21	8040-786	1	NUT,HEX,NYLOCK,3/4-10 UNC,ZN				
22	2035-308	1	PIN,TENSIONER,THREADED				
23	2035-471	1	CAPSCREW SOC HD 3/8-16 x 1				
24	2035-310	1	WLMT,TENSIONER END,W/HOLE				
25	2035-382	1	WLMT TENSIONER CENTER HEX				
26	2035-448	1	CLEVIS END TENSIONER MACHINED				
27	0304-077	1	NUT,HEX,JAM,1 1/4 - 7,RH				
28	0090-262	1	WASHER SAFETY S33-1.25"				
29	2035-472	1	SENSOR SPEED BON FIG				
30	2035-473	1	CAPSCREW SOC HD 8M-1.25 x 12				
31	2035-062	1	CAP,AXLE				



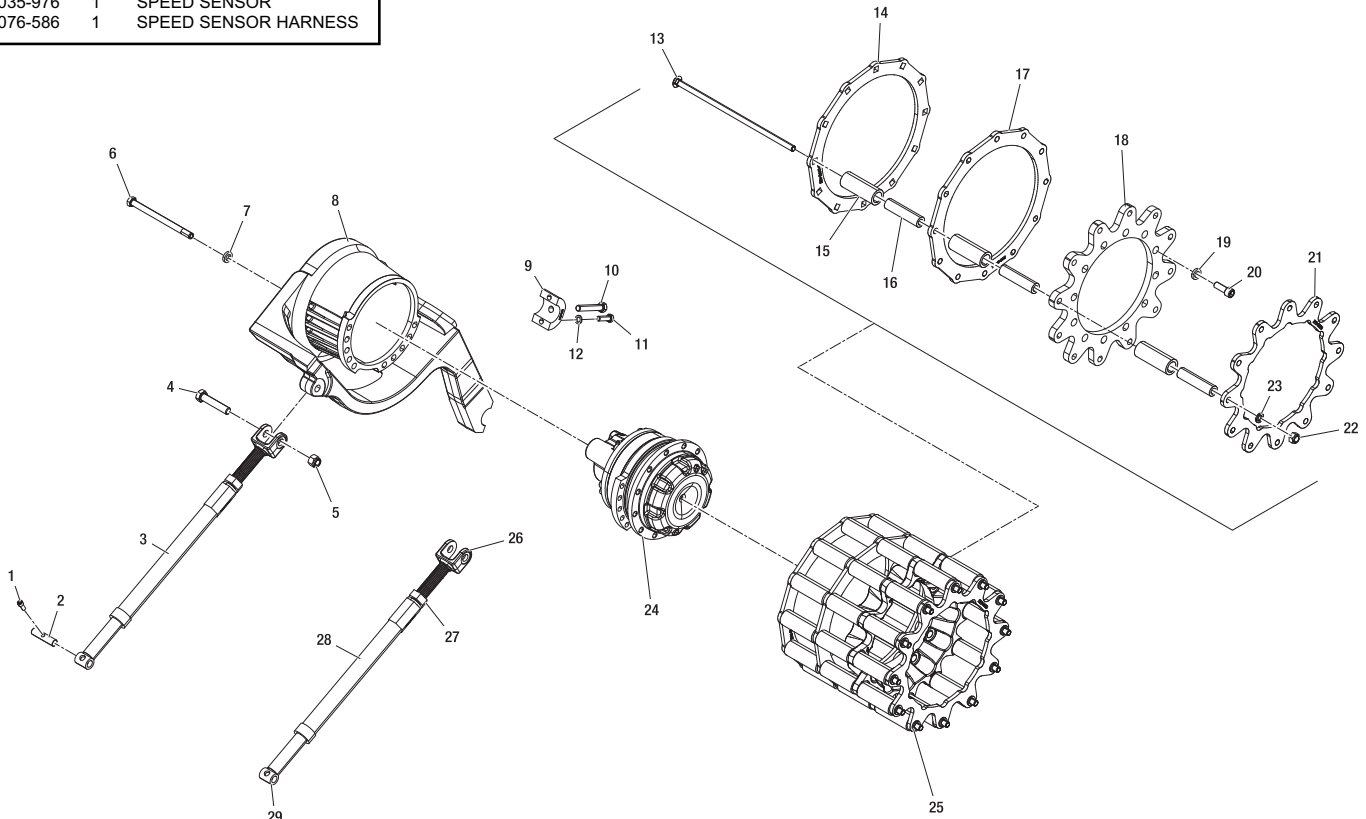
DRIVE TABLE ASSEMBLY, LT (Serial #: 00740-Current)

Section 22

REF. NO.	PART NUMBER	QTY.	DESCRIPTION	REF. NO.	PART NUMBER	QTY.	DESCRIPTION
1	2035-471	1	CAPSCREW SOC HD 3/8-16 x 1				
2	2035-308	1	PIN,TENSIONER,THREADED				
3	2035-142	1	TURNBUCKLE,LIGHT				
4	0304-408	1	CAPSCREW,HH,3/4-10UNC3.75,GD8,				
5	8040-786	1	NUT,HEX,NYLOCK,3/4-10 UNC,ZN				
6	0090-568	10	CAP SCREW SOCKET HEAD ,M16-2.0 x 220mm CL 12.9				
7	0700-287	10	WASHER,16mmX30mmX5mm				
8	2035-955	1	TABLE MACHINED MCRT LH				
9	2035-062	1	CAP,AXLE				
10	0090-026	1	CAPSCREW HH 5/8-11 x 3.75				
11	8102-406	2	CAPSCREW,HH,1/2-13UNCx1.75,GD8				
12	2035-597	2	WASHER WROUGHT				
13	2035-654	12	BOLT CARRIAGE 1/2-13 UNC x 14.625" GR8				
14	2035-120	1	RING,SPROCKET,BONFIG				
15	2035-268	36	TOOTH,DRIVE,SPROCKET,3.938"				
16	2035-267	36	TOOTH,DRIVE,SPROCKET,4.063"				
18	2035-889	1	SPROCKET,				
19	0700-287	10	WASHER,16mmX30mmX5mm				
20	2035-197	10	CAPSCREW,SOC HD,M16X2.0,45MM				
21	2035-120	1	SPROCKET DRIVE				
22	0700-124	12	NUT,TOPLock,1/2-13UNC,ZN,GD8				
23	2035-597	12	WASHER WROUGHT				
24	2035-960	1	MOTOR HYDRAULIC MCR6T 9X6				
25	2035-890	1	ASSY SPROCKET MCRT				
26	2035-448	1	CLEVIS END TENSIONER MACHINED				
27	0304-077	1	NUT,HEX,JAM,1 1/4 - 7,RH				
28	2035-382	1	WLMT TENSIONER CENTER HEX				
29	2035-310	1	WLMT,TENSIONER END,W/HOLE				

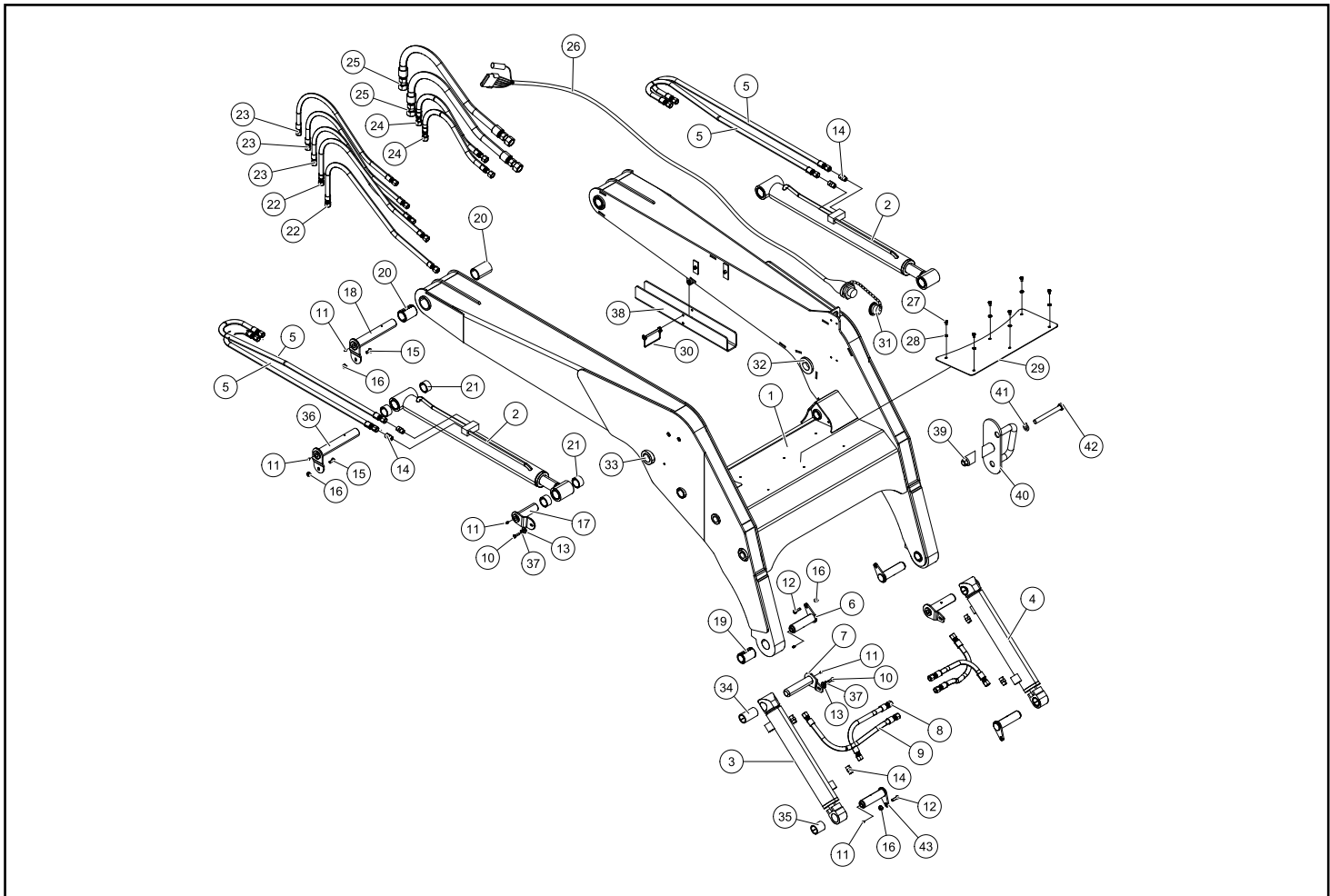
Service Parts

PART	QTY	DESCRIPTION
2035-974	1	DRIVE MOTOR SEAL KIT
2035-976	1	SPEED SENSOR
2076-586	1	SPEED SENSOR HARNESS



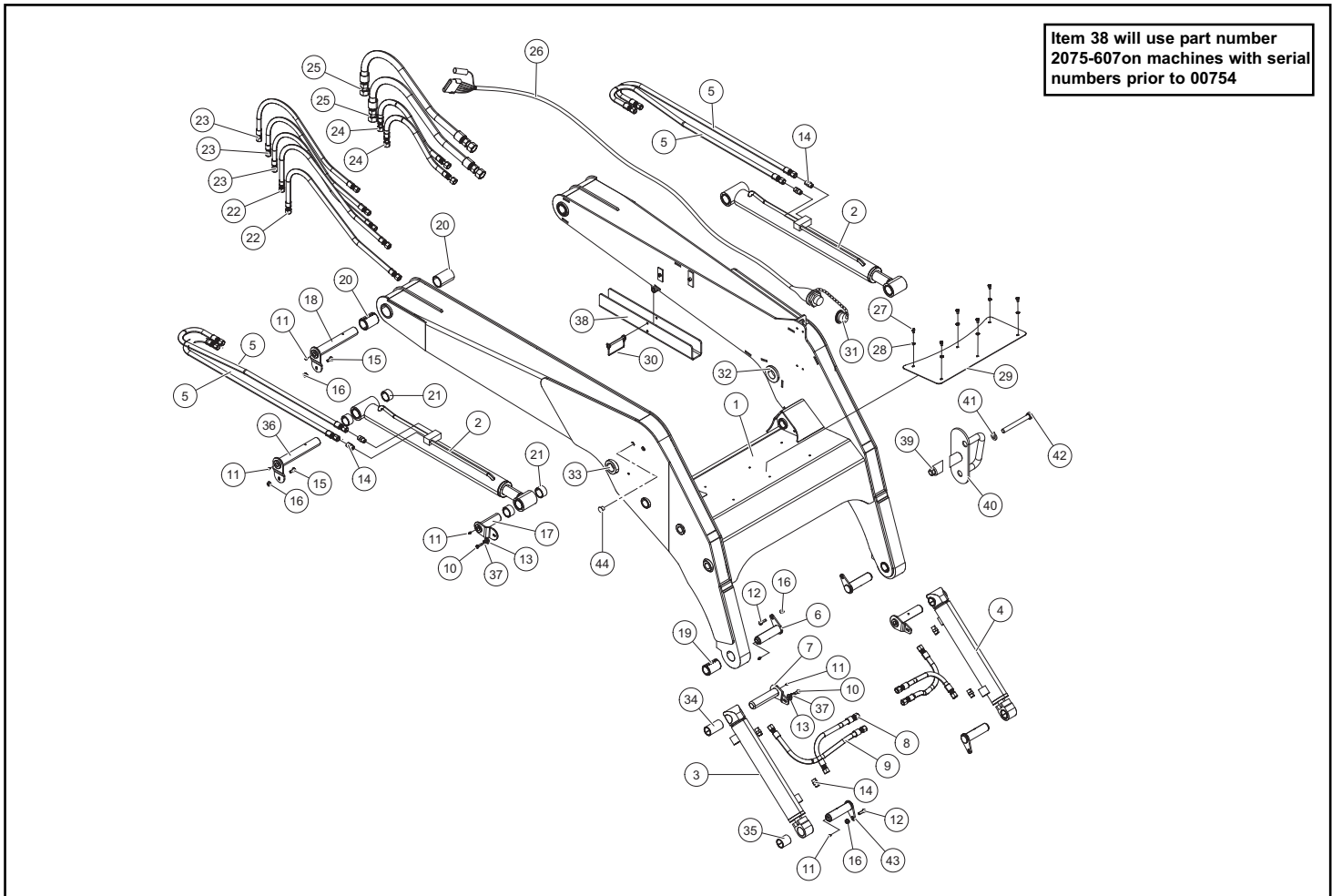
LIFT ARM ASSEMBLY (Serial #: 00101-00761)

REF. NO.	PART NUMBER	QTY.	DESCRIPTION	REF. NO.	PART NUMBER	QTY.	DESCRIPTION
1	2075-035	1	WLMT LOADER	41	8051-332	1	WASHER, SPRING LOCK, 1/2, ZN
2	2075-334	2	CYLINDER BOOM	42	8102-415	1	CAPSCREW, HH, 1/2-13 UNCx4.5, GD8
3	2075-351	1	CYLINDER BUCKET RH	43	2040-325	2	WLMT, PIN, QA TILT, 6.00
4	2075-350	1	CYLINDER BUCKET LH				
5	2045-557	4	HOSE LOADER BOOM				
6	2040-115	4	WLMT PIN 6.00"				
7	2040-112	2	WLMT PIN				
8	0201-489	2	HOSE, 8M4K-8FFORX-8FFORX-17.5"				
9	0201-488	2	HOSE, 8M4K-8FFORX-8FFORX-23.5"				
10	8102-222	4	CAPSCREW, HH, 3/8-16 UNCx1.0, GD8, ZN				
11	0300-607	12	ZERK, GREASE, 1/4-28 1103K21				
12	8102-224	4	CAPSCREW, HH, 3/8-16 UNCx1.25, GD8, ZN				
13	8050-282	4	WASHER, WROUGHT, 3/8, STD, ZN				
14	0310-345	8	ADAPTER, 8MFFOR--8MB				
15	8011-222	4	BOLT, CARRIAGE, 3/8-16 UNCx1.0, ZN YELLOW ZINC PLATED				
16	0314-269	8	NUT, FLANGE, TOPLK, 3/8-16 UNC, GDG, ZN				
17	2075-354	2	WLMT PIN LOADER 1.75				
18	2075-332	2	WLMT PIN TOWER				
19	0201-233	2	BUSHING, 1.50IDx2.00ODx3.00L				
20	2075-356	4	BUSHING SPRING 2.25 x 1.75 x 3.00				
21	0003-085	8	BUSHING CYLINDER 1.75 X 1.5 X 1.75				
22	2045-495	2	HOSE, 6M4K, 38.5"				
23	2045-497	3	HOSE 8M4K 40.5"				
24	2075-942	2	HOSE -10 32.5 4000PSI				
25	2075-941	2	HOSE -16 44.5 4000PSI				
26	2075-566	1	HARNES AUXILARY				
27	8102-127	6	CAPSCREW, HH, 5/16-18 UNCx 1/2,				
28	8051-242	6	WASHER, SPRING LOCK, 5/16, ZN				
29	2045-272	1	PAD STEP				
30	0090-039	1	PIN SNAP LOCK 5/16 x 3.5"				
31	0201-770	1	CAP, W/CHAIN				
32	2075-059	2	BUSHING LOADER				
33	2075-340	2	BUSHING ARM OUTER				
34	0003-052	2	BUSHING CYLINDER BUCKET BASE END				
35	0003-053	2	BUSHING CYLINDER BUCKET ROD END				
36	2075-368	2	WLMT PIN LOWER				
37	8051-272	4	WASHER, SPRING LOCK, 3/8, ZN				
38	2075-607	1	LOCK LOADER				
39	0402-906	1	WLMT WEDGE				
40	0402-902	1	WLMT HOOP HOSE				



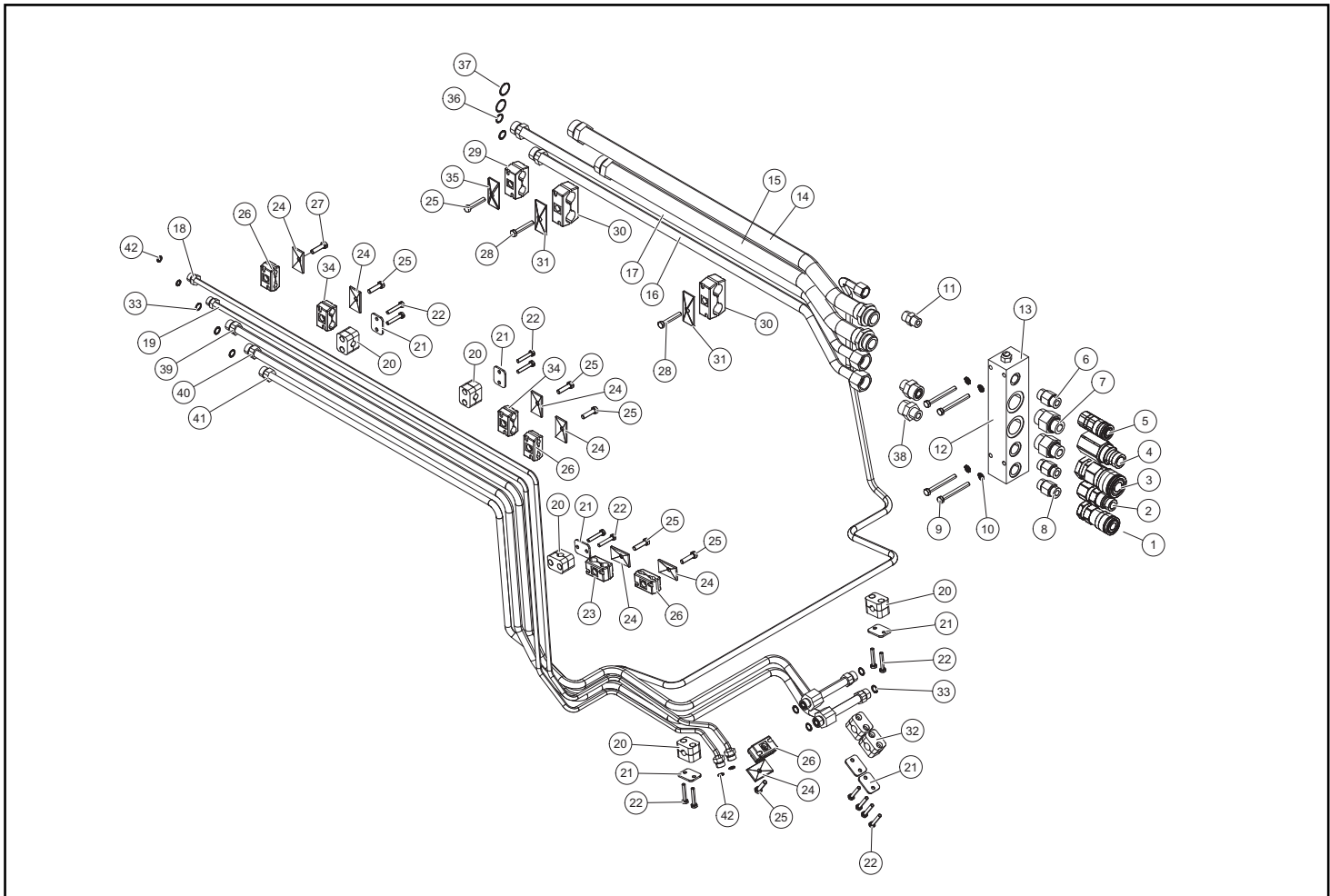
LIFT ARM ASSEMBLY (Serial #: 00762-Current)

REF. NO.	PART NUMBER	QTY.	DESCRIPTION	REF. NO.	PART NUMBER	QTY.	DESCRIPTION
1	2075-035	1	WLMT LOADER	41	8051-332	1	WASHER,SPRING LOCK,1/2,ZN
2	2076-605	2	CYLINDER BOOM	42	8102-415	1	CAPSCREW,HH,1/2-13 UNCx4.5,GD8
3	2076-603	1	CYLINDER BUCKET RH	43	2040-325	2	WLMT, PIN, QA TILT,6.00
4	2076-604	1	CYLINDER BUCKET LH	44	0090-562	4	PLUG TREE STYLE 1" HEAD X 0.42 X 1.2
5	2045-557	4	HOSE LOADER BOOM				
6	2040-115	4	WLMT PIN 6.00"				
7	2040-112	2	WLMT PIN				
8	0201-489	2	HOSE,8M4K-8FFORX-8FFORX-17.5"				
9	0201-488	2	HOSE,8M4K-8FFORX-8FFORX-23.5"				
10	8102-222	4	CAPSCREW,HH,3/8-16 UNCx1.0,GD8,ZN				
11	0300-607	12	ZERK,GREASE,1/4-28 1103K21				
12	8102-224	4	CAPSCREW,HH,3/8-16UNCx1.25,GD8,ZN				
13	8050-282	4	WASHER,WROUGHT,3/8,STD,ZN				
14	0310-345	8	ADAPTER,8MFFOR--8MB				
15	8011-222	4	BOLT,CARRIAGE,3/8-16 UNCx1.0,ZN YELLOW ZINC PLATED				
16	0314-269	8	NUT,FLANGE,TOPLK,3/8-16UNC,GDG,ZN				
17	2075-354	2	WLMT PIN LOADER 1.75				
18	2075-332	2	WLMT PIN TOWER				
19	0201-233	2	BUSHING,1.50IDx2.00ODx3.00L				
20	2075-356	4	BUSHING SPRING 2.25 x 1.75 x 3.00				
21	0003-085	8	BUSHING CYLINDER 1.75 X 1.5 X 1.75				
22	2045-495	2	HOSE,6M4K,38.5"				
23	2045-497	3	HOSE 8M4K 40.5"				
24	2075-942	2	HOSE -10 32.5 4000PSI				
25	2075-941	2	HOSE -16 44.5 4000PSI				
26	7000-117	1	HARNES AUXILARY				
27	8102-127	6	CAPSCREW, HH,5/16-18 UNCx 1/2,				
28	8051-242	6	WASHER,SPRING LOCK,5/16,ZN				
29	2045-272	1	PAD STEP				
30	0090-039	1	PIN SNAP LOCK 5/16 x 3.5"				
31	0201-770	1	CAP,W/CHAIN				
32	2075-059	2	BUSHING LOADER				
33	2075-340	2	BUSHING ARM OUTER				
34	0003-052	2	BUSHING CYLINDER BUCKET BASE END				
35	0003-053	2	BUSHING CYLINDER BUCKET ROD END				
36	2075-368	2	WLMT PIN LOWER				
37	8051-272	4	WASHER,SPRING LOCK,3/8,ZN				
38	2095-817	1	LOCK LOADER				
39	0402-906	1	WLMT WEDGE				
40	0402-902	1	WLMT HOOP HOSE				



LIFT ARM TUBES AND FITTINGS (Serial #: 00101-Current)

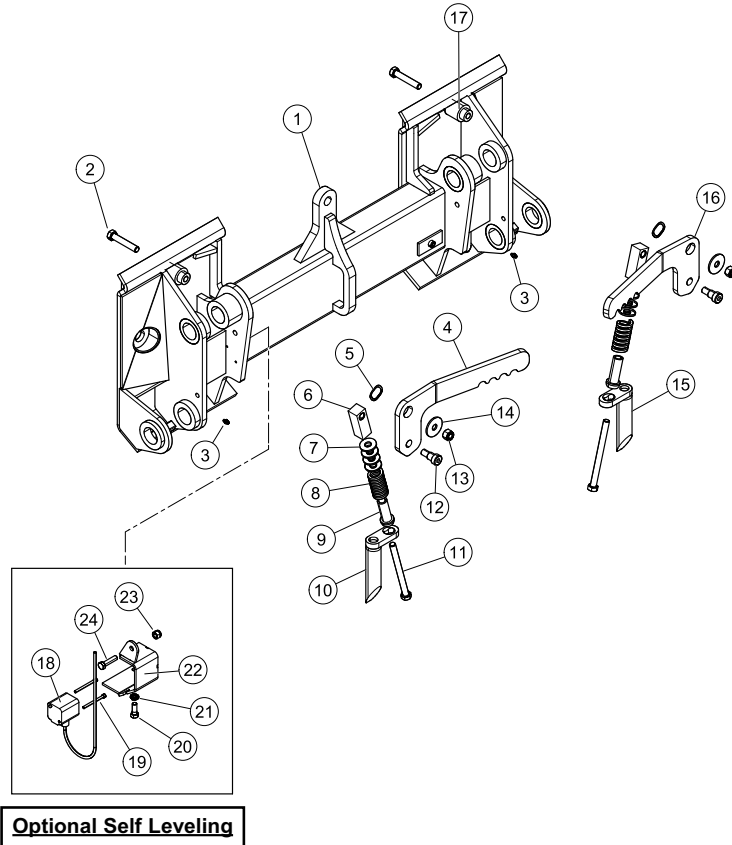
REF. NO.	PART NUMBER	QTY.	DESCRIPTION	REF. NO.	PART NUMBER	QTY.	DESCRIPTION
1	0310-076	1	COUPLER,QUICK,FF,	41	2075-073	1	TUBE TANK QUICK BLOCK
2	0310-077	1	COUPLER,QUICK,FF,MALE,	42	0310-285	4	O-RING,6 ORFF,2-012 N0552
3	0314-142	1	COUPLER,QUICK,FF,FEMALE				
4	0314-143	1	COUPLER,QUICK,FF,MALE,				
5	0310-078	1	COUPLER,QUICK,FF,MALE,3/4-16UN,				
6	0201-602	1	ADAPTER,O-RING,HEX NIPPLE,8-8				
7	0201-603	2	ADAPTER,O-RING,HEX NIPPLE,16-12				
8	0201-601	2	ADAPTER,O-RING,HEX NIPPLE,10-10				
9	8102-140	4	CAPSCREW,HH,5/16-18UNCx3.0,GD8				
10	8051-242	4	WASHER,SPRING LOCK,5/16,ZN				
11	0310-345	1	ADAPTER,8MFFOR-8MB				
12	0201-061	1	MANIFOLD,QD				
13	0201-838	1	SPOOL,VALVE,QD BLOCK				
14	2075-063	1	TUBE HIGH FLOW TOP				
15	2075-064	1	TUBE HIGH FLOW BOTTOM				
16	2075-066	1	TUBE LOW FLOW BOTTOM				
17	2075-065	1	TUBE LOW FLOW TOP				
18	2075-070	1	TUBE QA TOP				
19	2075-069	1	TUBE QA BOTTOM				
20	0201-402	5	CLAMP,SET,2050-PP				
21	0201-224	7	COVER,CLAMP,COP-2				
22	8102-045	14	CAPSCREW,HH,1/4-20x1.5"ZN GD8				
23	0310-831	3	CLAMP, SET, T2062-PP BEHRINGER				
24	0310-584	7	PLATE,COVER TCP-T2 TCP-T2				
25	8102-134	7	CAPSCREW,HH,5/16-18UNCx1.25GD8 ZN				
26	0201-225	4	CLAMP,SET,T2038-PP				
27	8102-134	7	CAPSCREW,HH,5/16-18UNCx1.25GD8 ZN				
28	8102-137	2	CAPSCREW,HH,5/16-18UNCx2.0 GD8 ZN				
29	0310-733	1	INSERT,CLAMP,TWIN.75" T3075-PP T3075-PP				
30	0201-226	2	CLAMP,SET,T4100-PP				
31	0201-227	2	CLAMP,COVER,TCP-T4				
32	0201-223	2	CLAMP,SET,2062-PP				
33	0310-286	7	O-RING,8 ORFF,2-014 N0552				
34	0310-831	3	CLAMP, SET, T2062-PP BEHRINGER				
35	0310-828	1	COVER, CLAMP, 3/4" TCP-T3 BEHRINGER				
36	0310-287	2	O-RING,10 ORFF,2-016 N0552				
37	0310-289	2	O-RING,16 ORFF,2-021 N0552				
38	0310-319	2	ADAPTER,12MFFOR-10MB				
39	2075-067	1	TUBE BUCKET TOP				
40	2075-068	1	TUBE BUCKET BOTTOM				



MANUAL QUICK ATTACH ASSEMBLY (Serial #: 00101-Current)

REF. NO.	PART NUMBER	QTY.	DESCRIPTION	REF. NO.	PART NUMBER	QTY.	DESCRIPTION
1	2075-050	1	WLMT QUICK ATTACH				
2	8102-410	2	CAPSCREW,HH 1/2-13UNCx2.75 GD8				
3	0300-607	2	ZERK, GREASE, 1/4-28 1103K21				
4	2045-762	1	HANDLE QA RH				
5	0090-320	2	WASHER FENDER 3/8 X 1-1/4 CLEAR ZINC				
6	2045-245	2	BLOCK LATCH				
7	8050-347	8	WASHER, WROUGHT, 1/2, STD, ZN				
8	0400-651	2	SPRING, COMPRESSION PLATED				
9	0400-621	2	SPOOL, PIVOT				
10	2046-406	1	WLMT PIN LH				
11	8102-418	2	CAPSCREW, HH, 1/2-13UNCx 6.0, GD8, ZN				
12	0090-002	2	BOLT, SHOULDER, 5/8"x.625" GD 8				
13	8040-606	2	NUT, HEX, NYLOCK, 1/2-13 UNC, ZN				
14	2015-018	2	WASHER, FENDER, 1.75x0.53x0.125				
15	2046-405	2	WLMT PIN RH				
16	2045-761	1	HANDLE QA LH				
17	0201-019	2	SPACER, LEVER				
18	0090-328	1	SENSOR INCLINOMETER				
19	0201-388	2	CAPSCREW, HD, SOC, 10-32x2.25				
20	8102-222	1	CAPSCREW, HH, 3/8-16 UNCx1.0, GD8, ZN				
21	8051-272	1	WASHER, SPRING LOCK, 3/8, ZN				
22	2076-225	1	WLMT COVER INCLINOMETER				
23	8040-486	1	NUT, HEX, NYLOCK, 3/8-16 UNC, ZN				
24	8102-225	2	CAPSCREW, HH, 3/8-16 UNCx1.5, GD8, ZN				

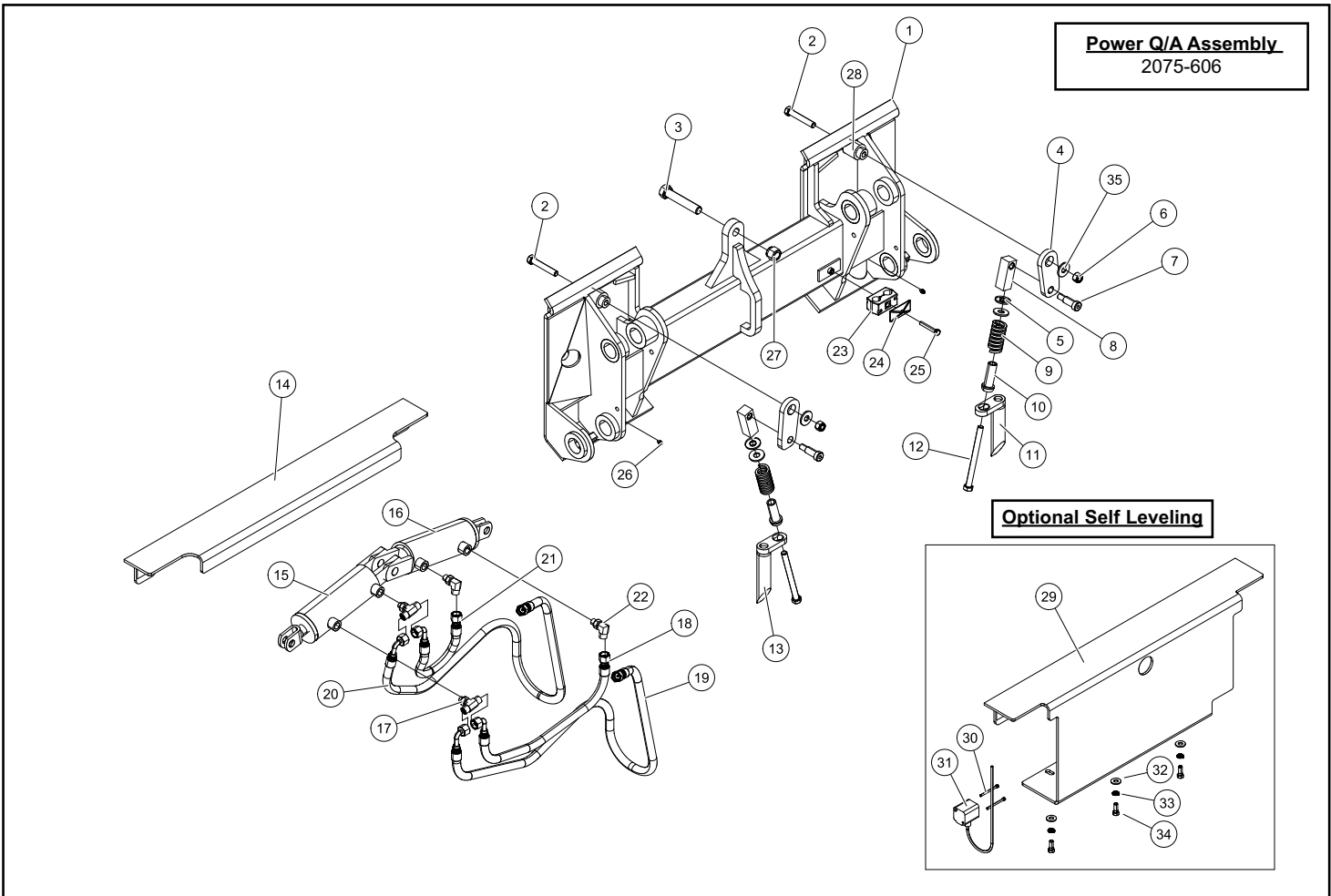
Manual Q/A Assembly
2076-148 (manual)



POWER QUICK ATTACH ASSEMBLY (Serial #: 00101-Current)

Section 26

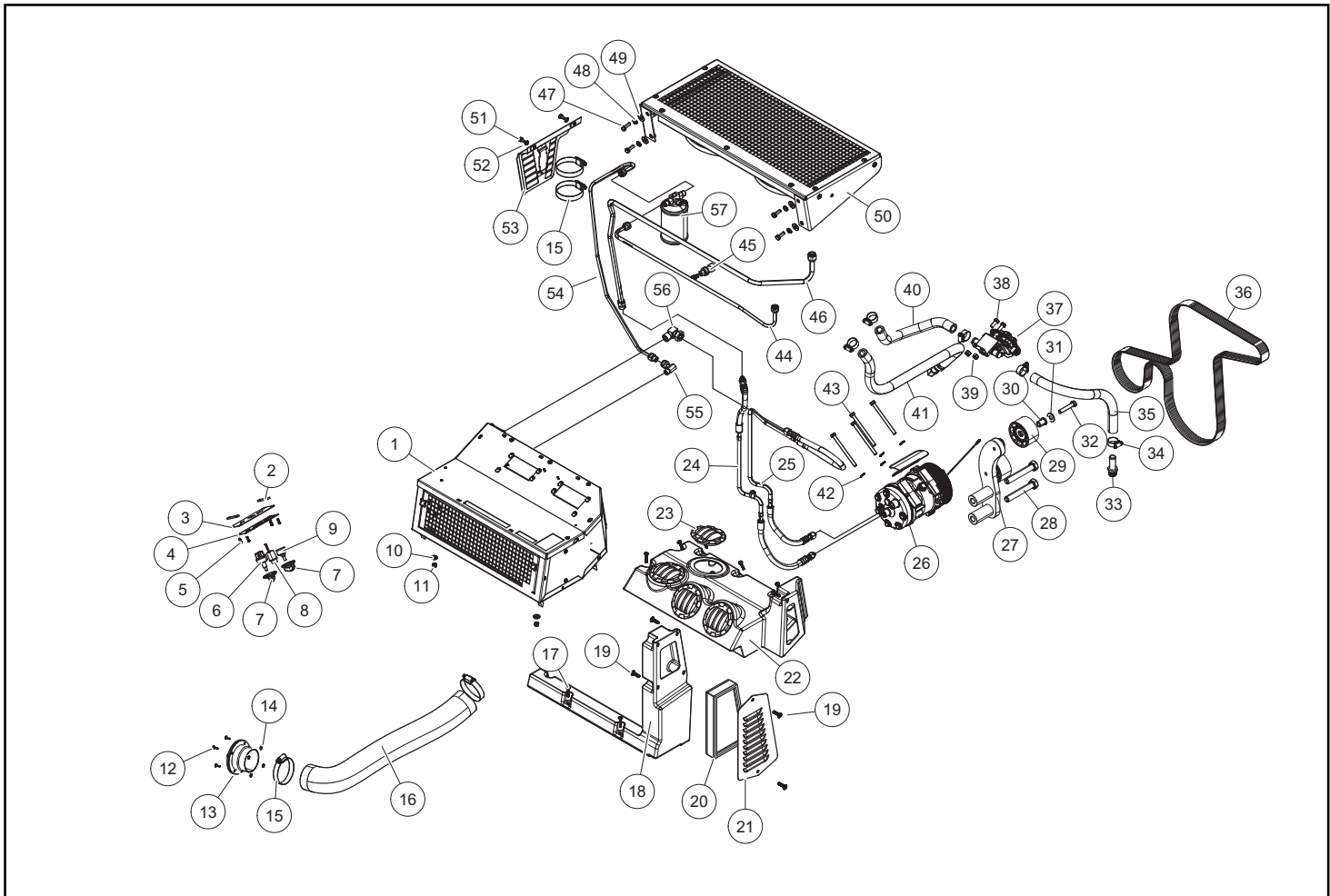
REF. NO.	PART NUMBER	QTY.	DESCRIPTION	REF. NO.	PART NUMBER	QTY.	DESCRIPTION
1	2075-050	1	WLMT QUICK ATTACH				
2	8102-411	2	CAPSCREW,HH,1/2-13 UNCx3.0,GD8				
3	8102-686	1	CAPSCREW,HH,3/4-10UNCx4.25 GD8				
4	2045-246	2	LATCH QA				
5	8050-347	4	WASHER,WROUGHT,1/2,STD,ZN				
6	8040-606	2	NUT,HEX,NYLOCK,1/2-13 UNC,ZN				
7	0090-001	2	BOLT,SHOULDER,5/8"x1.25" GD 8				
8	2045-245	2	BLOCK LATCH				
9	0400-651	2	SPRING,COMPRESSION PLATED				
10	0400-621	2	SPOOL,PIVOT				
11	2046-405	1	WLMT PIN RH				
12	8102-418	2	CAPSCREW,HH,1/2-13UNCx 6.0,GD8,ZN				
13	2046-406	1	WLMT PIN LH				
14	2075-604	1	WLMT GUARD QA				
15	2046-317	1	CYLINDER QA RH				
16	2046-316	1	CYLINDER QA LH				
17	0201-542	2	ADAPTER,TEE,6FS-6FS-6NWO				
18	0201-544	1	HOSE,6M4K-6FFORX-6FFORX90S-25.00"				
19	0201-565	1	HOSE,6M4K-6FFORX90S-6FFORX-53.375"				
20	0201-566	1	HOSE,6M4K-6FFORX90S-6FFORX-49.375"				
21	0201-545	1	HOSE,6M4K-6FFORX-6FFORX90S-14.00"				
22	0310-328	2	ADAPTER,6MFFOR-6MB-90				
23	0310-733	1	INSERT,CLAMP,TWIN.75" T3075-PP T3075-PP				
24	0310-828	1	COVER, CLAMP, 3/4" TCP-T3 BEHRINGER				
25	8102-137	1	CAPSCREW,HH,5/16-18UNCx2.0 GD8 ZN				
26	0300-607	2	ZERK,GREASE,1/4-28 1103K21				
27	8040-786	1	NUT,HEX,NYLOCK,3/4-10 UNC,ZN				
28	0201-019	2	SPACER,LEVER				
29	2040-295	1	WLMT GUARD QA				
30	0201-388	2	CAPSCREW,HD,SOC,10-32x2.25				
31	0090-328	1	SENSOR INCLINOMETER				
32	8050-282	3	WASHER,WROUGHT,3/8,STD,ZN				
33	8051-272	3	WASHER,SPRING LOCK,3/8,ZN				
34	8102-222	3	CAPSCREW,HH,3/8-16 UNCx1.0,GD8,ZN				
35	8050-348	2	WASHER,1/2,SAE,ZN 1.06 OD x .531 ID x .090				



AIR CONDITIONING / HEATING (OPTIONAL) (Serial #: 00101-00759)

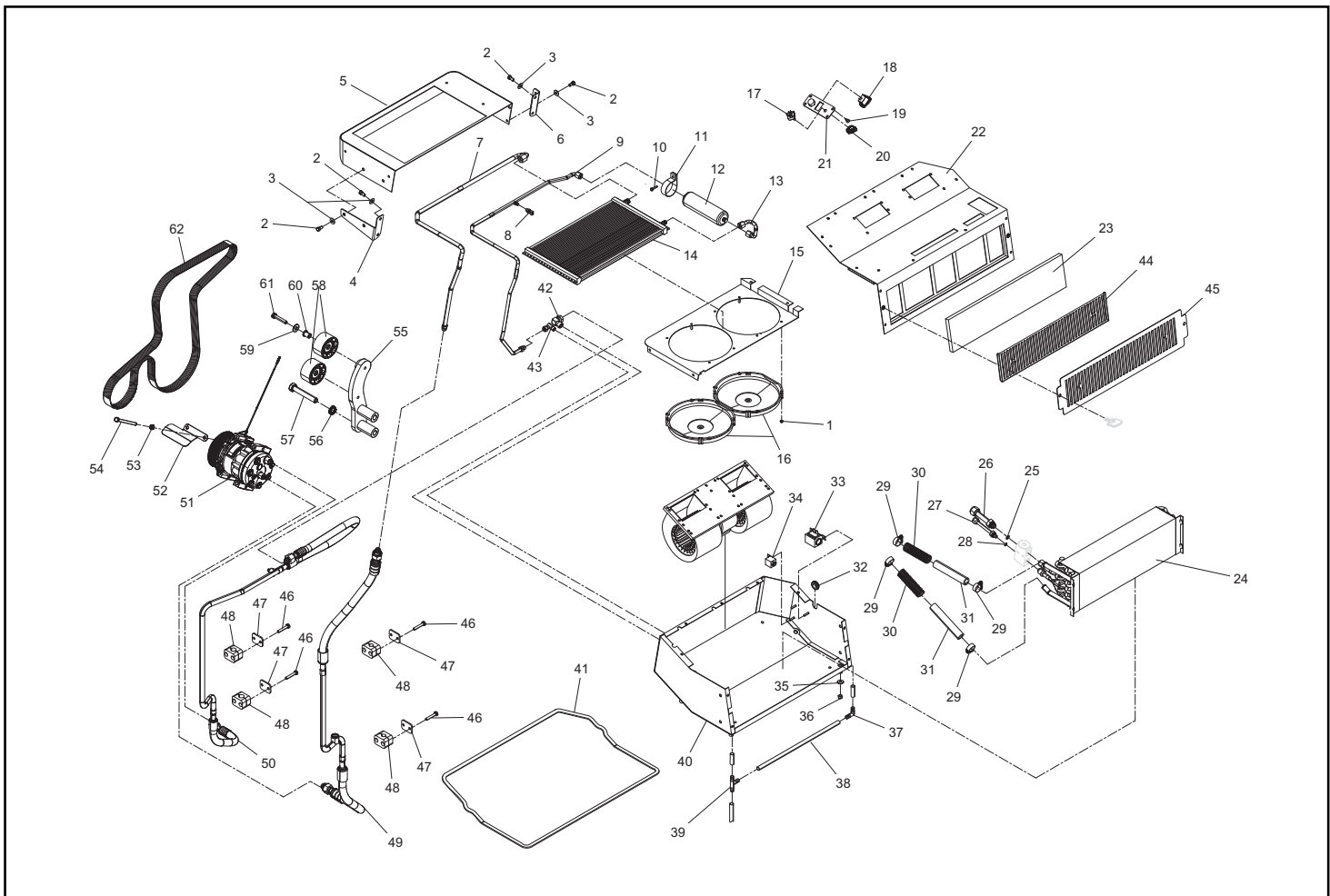
Section 27

REF. NO.	PART NUMBER	QTY.	DESCRIPTION	REF. NO.	PART NUMBER	QTY.	DESCRIPTION
1	2075-978	1	ASSEMBLY HVAC	41	2075-791	1	HOSE, HEATER, VALVE TO CORE
2	2075-821	2	PLATE MOUNTING HVAC CONTROL	42	8051-242	4	WASHER, SPRING LOCK, 5/16, ZN
3	2075-814	1	ESCHION HVAC CONTROL	43	8102-144	4	CAPSCREW HH 5/16-18 x 4"
4	2075-816	1	CONTROLLER TEMP	44	2075-983	1	ASSEMBLY TUBE OUTLET CONDENSOR
5	8008-217	4	SCREW, MACH #6-32x0.5, PH, PAN	45	2045-889	1	SWITCH PRESSURE LOW
6	2045-899	1	SWITCH 3 SPEED	46	2076-018	1	TUBE ASSY INLET COND
7	2045-896	2	KNOB CONTROL	47	8102-128	4	CAPSCREW, HH 5/16-18UNCx7/8 GR8 ZN
8	2085-218	1	SWITCH A/C	48	8051-242	4	WASHER, SPRING LOCK, 5/16, ZN
9	2075-816	1	CONTROLLER TEMP	49	8050-262	4	WASHER, WROUGHT, 5/16, STD, ZN
10	8050-222	4	WASHER, WROUGHT, 1/4, STD, ZN	50	2075-979	1	ASSEMBLY CONDENSOR
11	8040-366	4	NUT, HEX, NYLOCK, 1/4-20 UNC, ZN	51	8102-037	2	CAPSCREW, HH, 1/4-20 UNC x .50, GD8
12	8060-209	4	RIVET BLIND ALUM .125 X .50	52	8051-212	2	WASHER, SPRING LOCK, 1/4, ZN
13	2045-907	1	LOUVER	53	2075-982	1	ASSEMBLY DRIER BRACKET
14	8050-091	4	WASHER, WROUGHT, #6, SAE, ZN	54	2075-985	1	ASSEMBLY TUBE NO 6 OUTLET
15	0303-175	4	HOSE, CLAMP, 2.75, HI-TORQUE	55	2075-981	1	ADAPTOR NO.6 90°
16	0090-346	25	DUCT 3"	56	2075-980	1	ADAPTOR NO.10 90°
17	0090-165	7	SCREW MACHINE #10-24 X 1-1/4" ZN	57	2046-250	1	RECEIVER DRIER
18	2075-794	1	PLENUM INLET HVAC				
19	8102-042	7	CAPSCREW, HH 1/4-20UNC 1" GD8				
20	2075-811	1	FILTER				
21	2075-812	1	FILTER				
22	2075-793	1	PLENUM OUTLET HVAC				
23	2045-895	4	LOUVER				
24	2075-681	1	ASSY HOSE A/C FRONT				
25	2075-680	1	ASSY HOSE A/C REAR				
26	2075-679	1	COMPRESSOR A/C SANDEN				
27	2076-115	1	WLMT PULLEY BRKT				
28	2035-273	2	CAPSCREW, M16x2.0x100MM, 10.6, ZN				
29	2075-151	2	PULLEY IDLER				
30	8050-282	2	WASHER, WROUGHT, 3/8, STD, ZN				
31	8051-272	2	WASHER, SPRING LOCK, 3/8, ZN				
32	8102-227	2	CAPSCREW, HH, 3/8-16UNCx2.0 GD8				
33	0307-584	1	ADAPTER, HOSE, HEATER				
34	0301-110	6	CLAMP, HOSE, #8				
35	2075-790	1	HOSE, HEATER, MOTOR TO VALVE				
36	2076-146	1	BELT SERPENTINE 77"				
37	2075-987	1	VALVE WATER ELECTRONIC				
38	8102-130	2	CAPSCREW, HH 5/16-18x3/4, GR8				
39	8040-426	2	NUT, HEX, NYLOCK, 5/16-18 UNC, ZN				
40	1071-002	1, 14'	HOSE, HEATER, .625, 200 PSI				



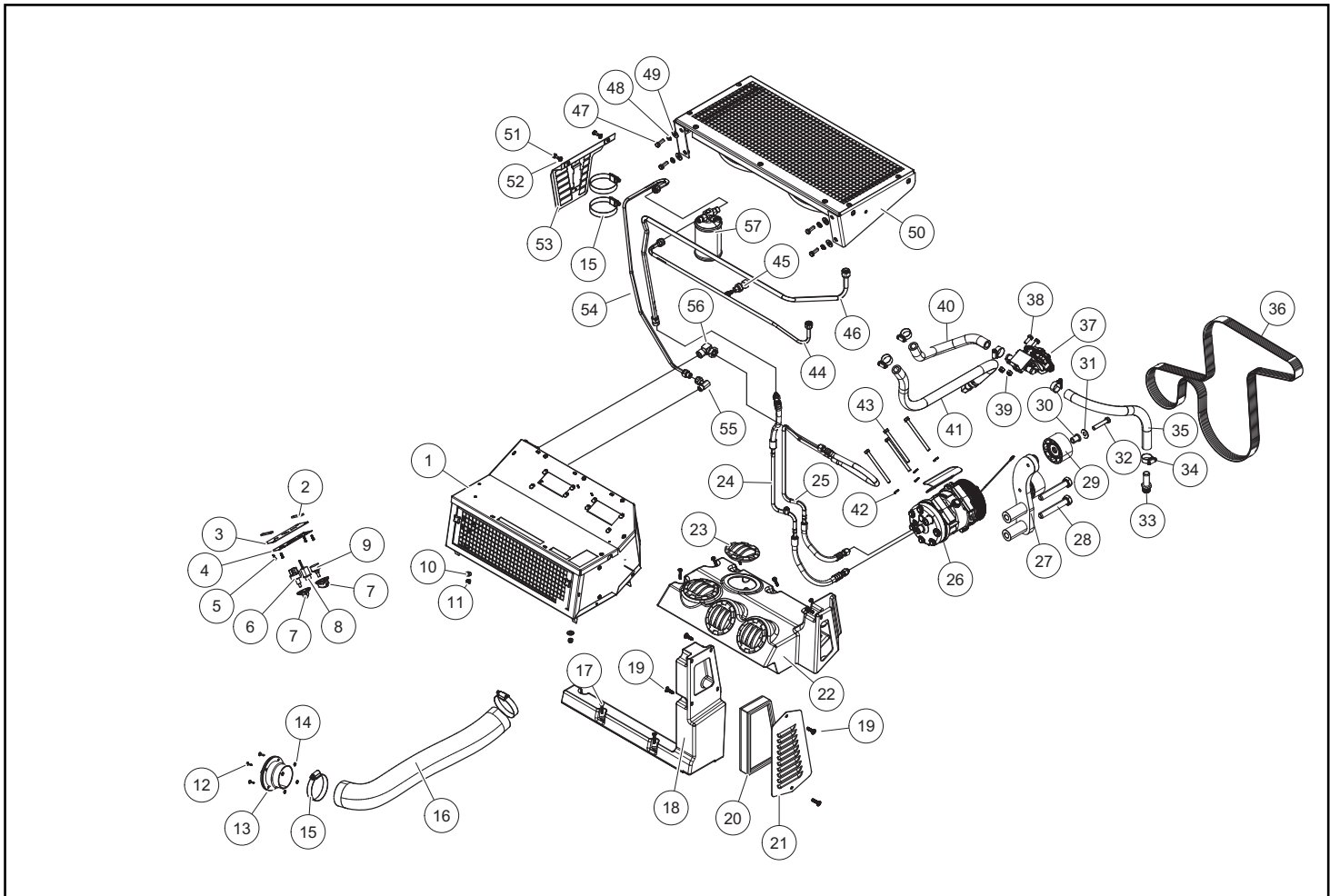
AIR CONDITIONING (OPTIONAL) (Serial #: 00760-00762)

REF. NO.	PART NUMBER	QTY.	DESCRIPTION	REF. NO.	PART NUMBER	QTY.	DESCRIPTION
1	0314-512	2	NUT,FLANGE,TOPLOCK,M10X1.50	41	0090-445	1	SEAL 1/8" x 3/8" x 5.25 FT
2	8102-220	8	CAPSCREW,HH,3/8-16x0.75",GD8	42	2075-980	1	ADAPTOR NO.10 90^
3	8050-282	8	WASHER,WROUGHT,3/8,STD,ZN	43	2075-981	1	ADAPTOR NO.6 90^
4	2076-519	1	WLMT MOUNT ROPS RH	44	2095-979	1	COVER RECIRC ADJUSTABLE
5	2095-546	1	WLMT CONDENSER HOUSING	45	2095-977	1	COVER RECIRC MOUNT
6	2076-483	1	MOUNT ROPS LH CONDENSER ASSY HVAC PHANTOM	46	8102-045	4	CAPSCREW,HH,1/4-20x1.5"ZN GD8
7	2095-553	1	ASSY, TUBE #8 OUTLET	47	0201-224	2	COVER,CLAMP,COP-2
8	2045-889	1	SWITCH PRESSURE LOW	48	0201-402	2	CLAMP,SET,2050-PP
9	2095-552	1	ASSY, TUBE #6 OUTLET	49	2075-681	1	ASSEMBLY HOSE AC FRONT
10	0090-519	1	CAPSCREW 1/4"-20 x 1"	50	2075-680	1	ASSEMBLY HOSE AC REAR
11	2095-549	1	CLAMP RECIEVER DRYER	51	2075-679	4	COMPRESSOR A/C SANDEN
12	2095-550	1	RECIEVER DRYER	52	2075-899	2	SHIELD BELT A/C
13	2095-551	1	TUBE OUTLET CONDENSER	53	8051-242	2	WASHER,SPRING LOCK,5/16,ZN
14	2095-547	1	CONDENSER	54	8102-144	1	CAPSCREW HH 5/16-18 x 4"
15	2095-548	1	CONDENSER FAN PLATE	55	2076-115	1	WLMT PULLEY BRKT
16	2076-170	2	FAN A/C CONDENSOR	56	8051-431	2	WASHER,SPRING LOCK,5/8,ZN
17	2045-899	1	SWITCH 3 SPEED	57	2035-273	2	CAPSCREW,M16x2.0x100MM,10.6,ZN
18	2076-241	1	SWITCH A/C	58	2075-151	2	PULLEY IDLER
19	0090-305	4	RETAINER PUSH TYPE .250 DIA	59	8050-262	2	WASHER,WROUGHT,5/16,STD,ZN
20	2046-257	1	KNOB CONTROL ROTARY	60	2076-437	2	BUSHING IDLER PULLEY
21	2076-284	1	PLATE ESCHION HVAC CONTROL	61	8102-227	2	CAPSCREW,HH,3/8-16UNCx2.0 GD8
22	2095-679	1	EVAPORATOR LID WA	62	2075-158	1	BELT SERPENTINE A/C
23	2095-637	1	CUT FILTER FOAM				
24	2095-636	1	ASSY EVAPORATOR COIL				
25	2076-189	1	O-RING # 10 GREEN				
26	2095-629	1	ASSEMBLY TUBE #6				
27	2095-630	1	ASSEMBLY TUBE #10				
28	2076-188	1	O-RING # 6 ACOR				
29	0301-110	4	CLAMP,HOSE,#8				
30	2095-639	2	GUARD SPRING CUT				
31	2095-638	2	HOSE HEATER CUT				
32	2095-677	1	GROMMET 7/8 x 5/8				
33	2095-615	1	COLD, CONTROL				
34	2095-676	1	RELAY 12V-50A SPDT				
35	8050-222	4	WASHER,WROUGHT,1/4,STD,ZN				
36	8040-366	4	NUT,HEX,NYLOCK,1/4-20 UNC,ZN				
37	0090-361	1	ELBOW 1/2 X 90^ NYLON				
38	0090-362	1	TUBING PVC - 5/8" OD X 1/2" ID				
39	0090-360	1	TEE 1/2 X 90^ NYLON				
40	2095-680	1	EVAPORATOR HOUSING WA				



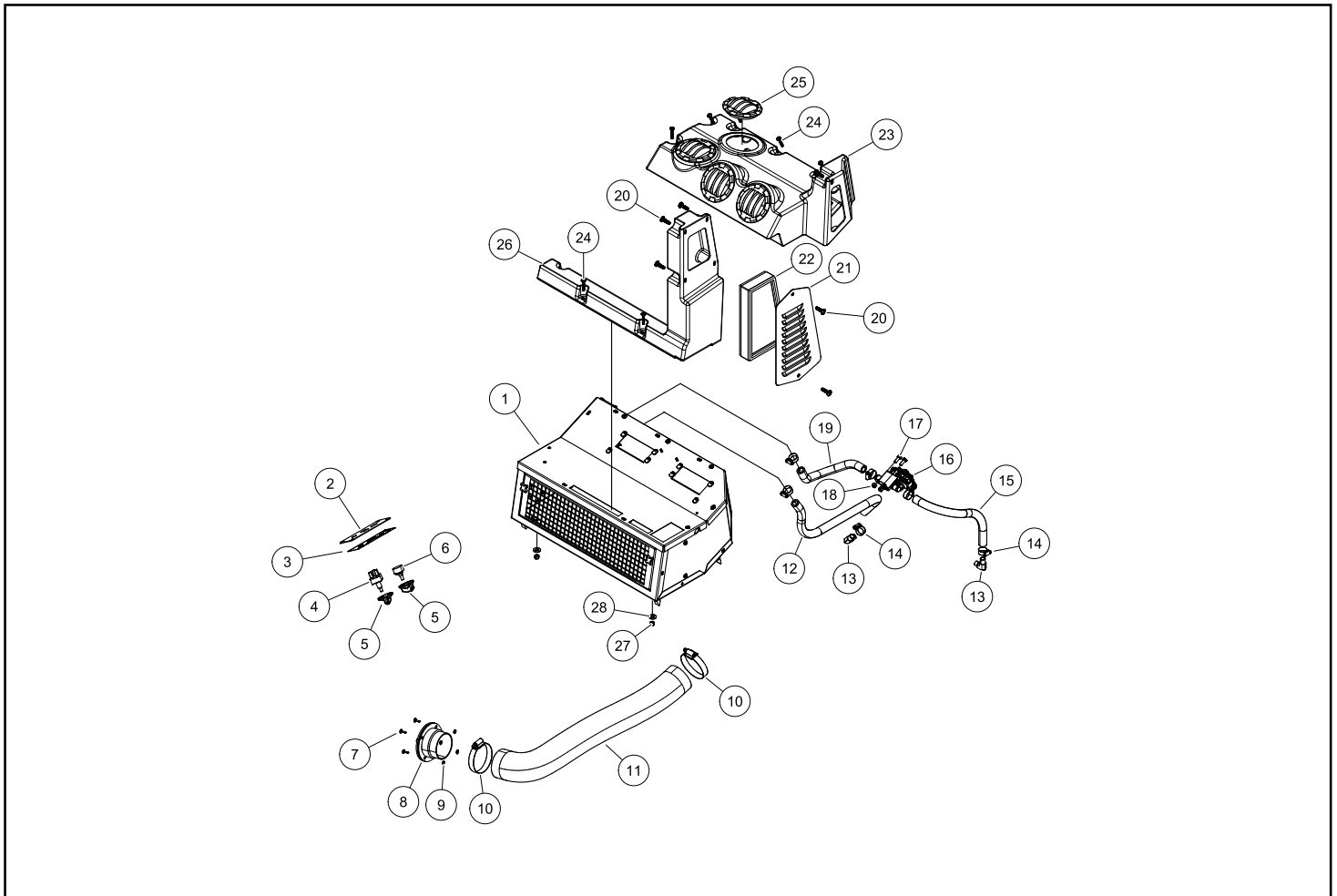
AIR CONDITIONING / HEATING (OPTIONAL) (Serial #: 00763-Current)

REF. NO.	PART NUMBER	QTY.	DESCRIPTION	REF. NO.	PART NUMBER	QTY.	DESCRIPTION
1	2075-978	1	ASSEMBLY HVAC	41	2075-791	1	HOSE, HEATER, VALVE TO CORE
2	2075-821	2	PLATE MOUNTING HVAC CONTROL	42	8051-242	4	WASHER, SPRING LOCK, 5/16, ZN
3	2075-814	1	ESCHION HVAC CONTROL	43	8102-144	4	CAPSCREW HH 5/16-18 x 4"
4	2075-816	1	CONTROLLER TEMP	44	2075-983	1	ASSEMBLY TUBE OUTLET CONDENSOR
5	8008-217	4	SCREW, MACH #6-32x0.5, PH, PAN	45	2045-889	1	SWITCH PRESSURE LOW
6	2045-899	1	SWITCH 3 SPEED	46	2076-018	1	TUBE ASSY INLET COND
7	2045-896	2	KNOB CONTROL	47	8102-128	4	CAPSCREW, HH 5/16-18UNCx7/8 GR8 ZN
8	2085-218	1	SWITCH A/C	48	8051-242	4	WASHER, SPRING LOCK, 5/16, ZN
9	2075-816	1	CONTROLLER TEMP	49	8050-262	4	WASHER, WROUGHT, 5/16, STD, ZN
10	8050-222	4	WASHER, WROUGHT, 1/4, STD, ZN	50	2075-979	1	ASSEMBLY CONDENSOR
11	8040-366	4	NUT, HEX, NYLOCK, 1/4-20 UNC, ZN	51	8102-037	2	CAPSCREW, HH, 1/4-20 UNC x .50, GD8
12	8060-209	4	RIVET BLIND ALUM .125 X .50	52	8051-212	2	WASHER, SPRING LOCK, 1/4, ZN
13	2045-907	1	LOUVER	53	2075-982	1	ASSEMBLY DRIER BRACKET
14	8050-091	4	WASHER, WROUGHT, #6, SAE, ZN	54	2075-985	1	ASSEMBLY TUBE NO 6 OUTLET
15	0303-175	4	HOSE, CLAMP, 2.75, HI-TORQUE	55	2075-981	1	ADAPTOR NO.6 90^
16	0090-346	.25	DUCT 3"	56	2075-980	1	ADAPTOR NO.10 90^
17	0090-165	7	SCREW MACHINE #10-24 X 1-1/4" ZN	57	2046-250	1	RECEIVER DRIER
18	2075-794	1	PLENUM INLET HVAC				
19	8102-042	7	CAPSCREW, HH 1/4-20UNC 1" GD8				
20	2075-811	1	FILTER				
21	2075-812	1	FILTER				
22	2075-793	1	PLENUM OUTLET HVAC				
23	2045-895	4	LOUVER				
24	2075-681	1	ASSY HOSE A/C FRONT				
25	2075-680	1	ASSY HOSE A/C REAR				
26	2075-679	1	COMPRESSOR A/C SANDEN				
27	2076-115	1	WLMT PULLEY BRKT				
28	2035-273	2	CAPSCREW, M16x2.0x100MM, 10.6, ZN				
29	2075-151	2	PULLEY IDLER				
30	8050-282	2	WASHER, WROUGHT, 3/8, STD, ZN				
31	8051-272	2	WASHER, SPRING LOCK, 3/8, ZN				
32	8102-227	2	CAPSCREW, HH, 3/8-16UNCx2.0 GD8				
33	0307-584	1	ADAPTER, HOSE, HEATER				
34	0301-110	6	CLAMP, HOSE, #8				
35	2075-790	1	HOSE, HEATER, MOTOR TO VALVE				
36	2076-146	1	BELT SERPENTINE 77"				
37	2075-987	1	VALVE WATER ELECTRONIC				
38	8102-130	2	CAPSCREW, HH 5/16-18x3/4, GR8				
39	8040-426	2	NUT, HEX, NYLOCK, 5/16-18 UNC, ZN				
40	1071-002	1,14'	HOSE, HEATER, .625, 200 PSI				



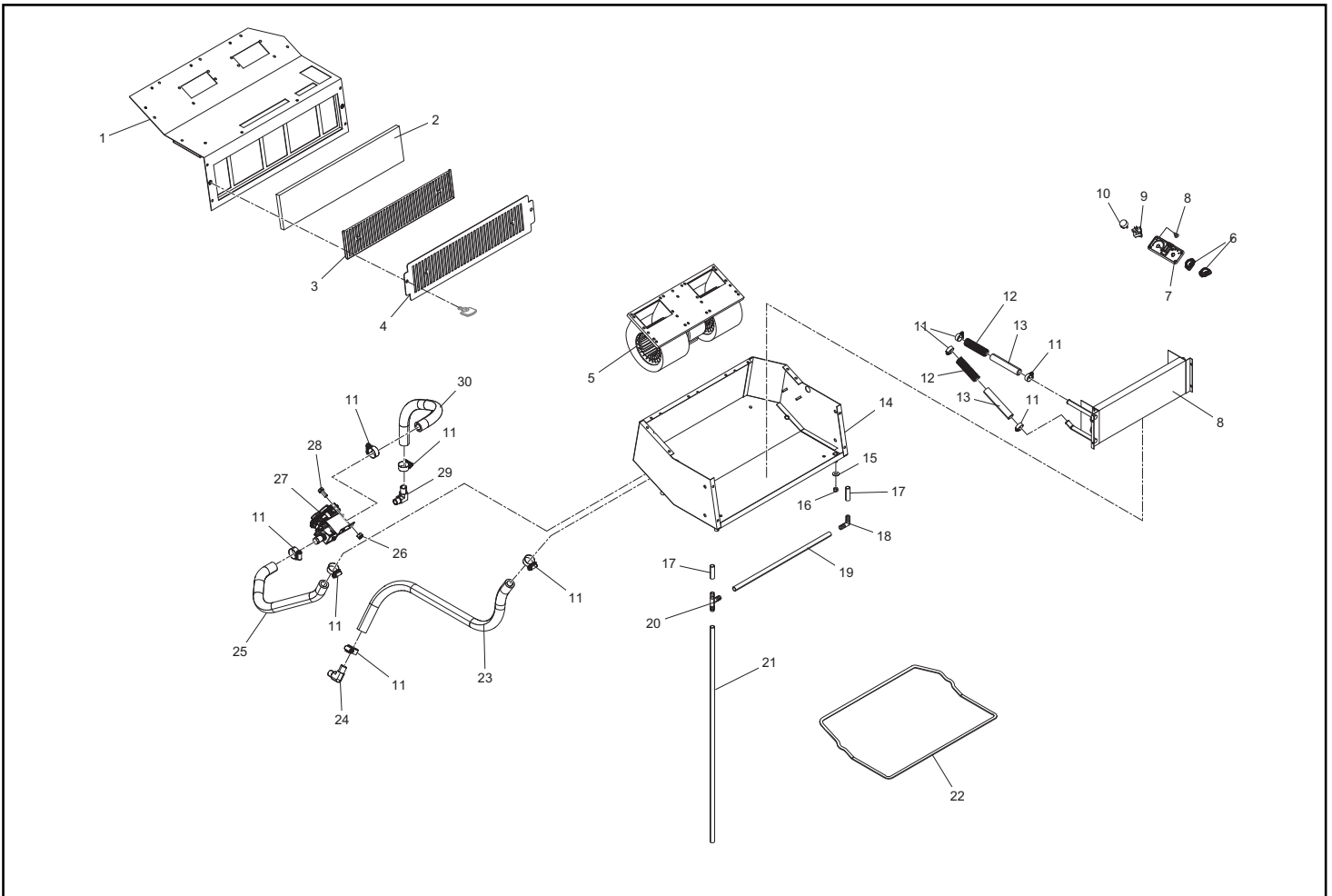
CAB HEATER (OPTIONAL) (Serial #: 00101-00759)

REF. NO.	PART NUMBER	QTY.	DESCRIPTION	REF. NO.	PART NUMBER	QTY.	DESCRIPTION
1	2075-988	1	ASSEMBLY HEATER				
2	2076-111	1	CONTROL ESCHION HEATER				
3	2076-112	1	DECAL CONTROL HEATER				
4	2045-899	1	SWITCH 3 SPEED				
5	2045-896	2	KNOB CONTROL				
6	2075-816	1	CONTROLLER TEMP				
7	8060-209	4	RIVET BLIND ALUM .125 X .50				
8	2045-907	1	LOUVER				
9	8050-091	4	WASHER,WROUGHT,#6,SAE,ZN				
10	0303-175	2	HOSE,CLAMP,2.75,HI-TORQUE				
11	0090-331	3	DUCT 2.5"				
12	1071-002	2.19'	HOSE,HEATER,.625,200 PSI				
13	0090-206	2	ADAPTER HOSE BARB 8MP-10M 5/8"				
14	0301-110	6	CLAMP,HOSE,#8				
15	1071-002	1.98'	HOSE,HEATER,.625,200 PSI				
16	2075-987	1	VALVE WATER ELECTRONIC				
17	8102-130	2	CAPSCREW,HH 5/16-18x3/4,GR8				
18	8040-426	2	NUT,HEX,NYLOCK,5/16-18 UNC,ZN				
19	1071-002	1.14'	HOSE,HEATER,.625,200 PSI				
20	8102-042	7	CAPSCREW, HH 1/4-20UNC 1" GD8				
21	2075-812	1	FILTER				
22	2075-811	1	FILTER				
23	2075-793	1	PLENUM OUTLET HVAC				
24	0090-165	7	SCREW MACHINE #10-24 X 1-1/4" ZN				
25	2045-895	4	LOUVER				
26	2075-794	1	PLENUM INLET HVAC				
27	8040-366	4	NUT,HEX,NYLOCK,1/4-20 UNC,ZN				
28	8050-222	4	WASHER,WROUGHT,1/4,STD,ZN				



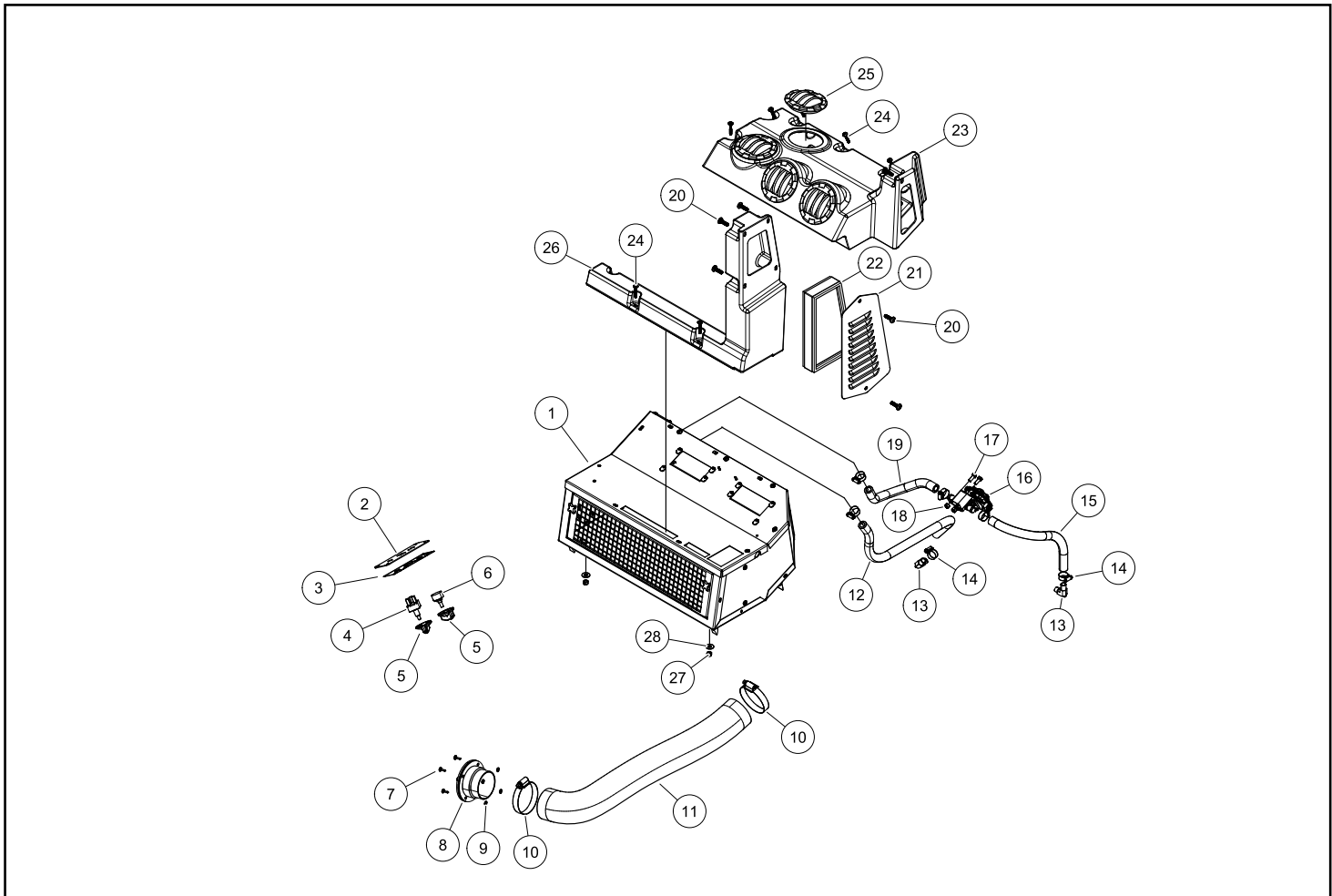
HEATER (OPTIONAL) (Serial #: 00760-00762)

REF. NO.	PART NUMBER	QTY.	DESCRIPTION	REF. NO.	PART NUMBER	QTY.	DESCRIPTION
1	2095-679	1	EVAPORATOR LID WA				
2	2095-637	1	CUT FILTER FOAM				
3	2095-979	1	COVER RECIRC ADJUSTABLE				
4	2095-977	1	COVER RECIRC MOUNT				
5	2095-615	1	BLOWER				
6	2046-257	1	KNOB CONTROL ROTARY				
7	2076-284	1	PLATE ESCHION HVAC CONTROL				
8	0090-305	4	RETAINER PUSH TYPE .250 DIA				
9	2045-899	1	SWITCH 3 SPEED				
10	2075-816	1	CONTROLLER TEMP				
11	0301-110	4	CLAMP,HOSE,#8				
12	2095-639	2	GUARD SPRING CUT				
13	2095-638	2	HOSE HEATER CUT				
14	2095-681	1	HEATER HOUSING WA				
15	8050-222	6	WASHER,WROUGHT,1/4,STD,ZN				
16	8040-366	4	NUT,HEX,NYLOCK,1/4-20 UNC,ZN				
17	2095-684	2	TUBING 2" PVC - 5/8" OD X 1/2" ID				
18	0090-361	1	ELBOW 1/2 X 90° NYLON				
19	2095-685	1	TUBING 18.5" PVC - 5/8" OD X 1/2" ID				
20	0090-360	1	TEE 1/2 X 90° NYLON				
21	2095-686	1	TUBING 36" PVC - 5/8" OD X 1/2" ID				
22	0090-445	1	SEAL 1/8" x 3/8" x 5.25 FT				
23	7001-447	1	HOSE HEATER 28"				
24	0090-206	1	ADAPTER HOSE BARB 8MP-10M 5/8"				
25	7000-790	1	HOSE HEATER 15"				
26	8040-426	2	NUT,HEX,NYLOCK,5/16-18 UNC,ZN				
27	2075-987	1	VALVE WATER ELECTRONIC				
28	8102-130	2	CAPSCREW,HH 5/16-18x3/4,GR8				
29	0090-206	1	ADAPTER HOSE BARB 8MP-10M 5/8"				
30	7002-218	1	HOSE WATER PUMP TO HEATER VALVE				
31	2095-631	1	HEATER COIL				



HEATER (OPTIONAL) (Serial #: 00763-Current)

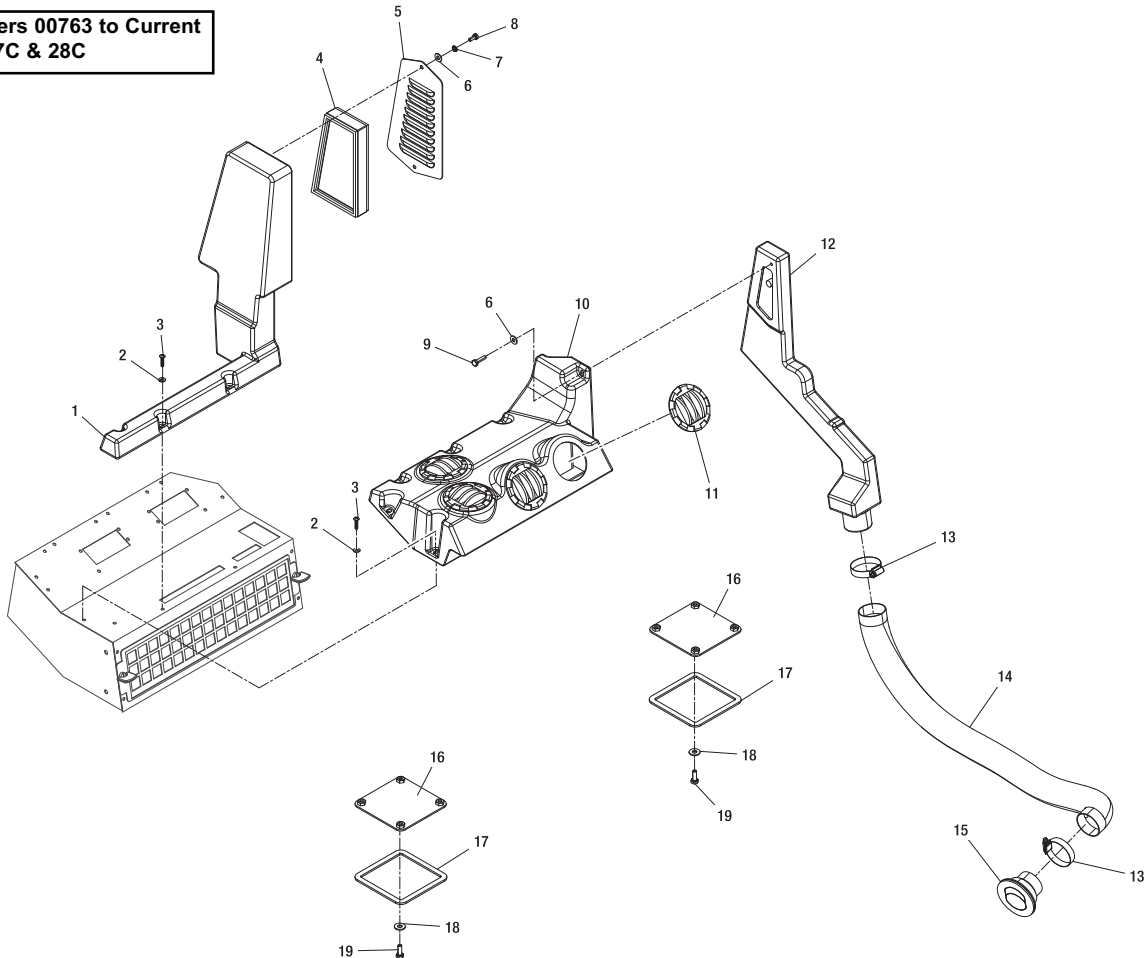
REF. NO.	PART NUMBER	QTY.	DESCRIPTION	REF. NO.	PART NUMBER	QTY.	DESCRIPTION
1	2075-988	1	ASSEMBLY HEATER				
2	2076-111	1	CONTROL ESCHION HEATER				
3	2076-112	1	DECAL CONTROL HEATER				
4	2045-899	1	SWITCH 3 SPEED				
5	2045-896	2	KNOB CONTROL				
6	2075-816	1	CONTROLLER TEMP				
7	8060-209	4	RIVET BLIND ALUM .125 X .50				
8	2045-907	1	LOUVER				
9	8050-091	4	WASHER,WROUGHT,#6,SAE,ZN				
10	0303-175	2	HOSE,CLAMP,2.75,HI-TORQUE				
11	0090-331	3	DUCT 2.5"				
12	1071-002	2.19'	HOSE,HEATER,.625,200 PSI				
13	0090-206	2	ADAPTER HOSE BARB 8MP-10M 5/8"				
14	0301-110	6	CLAMP,HOSE,#8				
15	1071-002	1.98'	HOSE,HEATER,.625,200 PSI				
16	2075-987	1	VALVE WATER ELECTRONIC				
17	8102-130	2	CAPSCREW,HH 5/16-18x3/4,GR8				
18	8040-426	2	NUT,HEX,NYLOCK,5/16-18 UNC,ZN				
19	1071-002	1.14'	HOSE,HEATER,.625,200 PSI				
20	8102-042	7	CAPSCREW, HH 1/4-20UNC 1" GD8				
21	2075-812	1	FILTER				
22	2075-811	1	FILTER				
23	2075-793	1	PLENUM OUTLET HVAC				
24	0090-165	7	SCREW MACHINE #10-24 X 1-1/4" ZN				
25	2045-895	4	LOUVER				
26	2075-794	1	PLENUM INLET HVAC				
27	8040-366	4	NUT,HEX,NYLOCK,1/4-20 UNC,ZN				
28	8050-222	4	WASHER,WROUGHT,1/4,STD,ZN				



DUCTWORK (Serial #: 00760-00762)

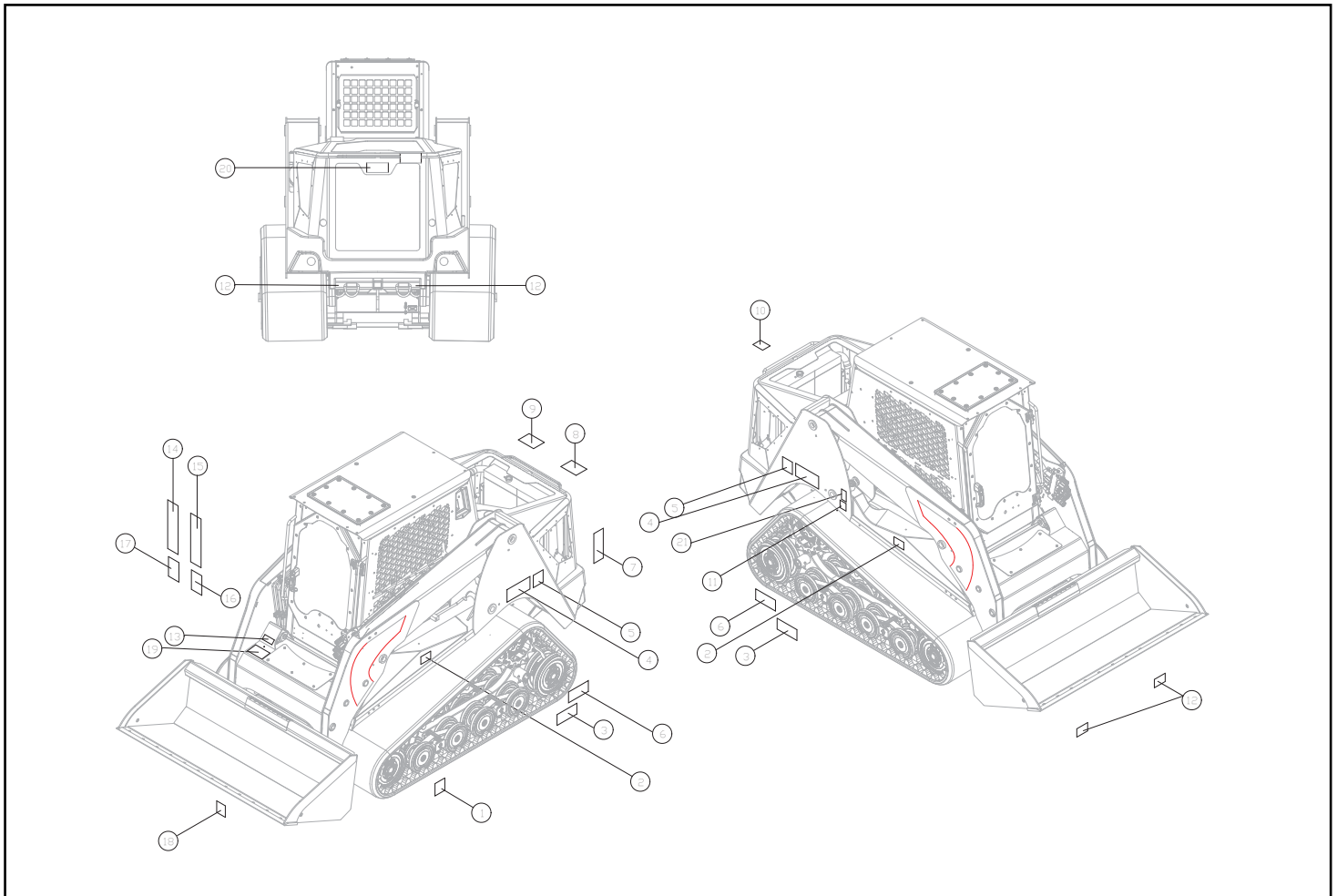
REF. NO.	PART NUMBER	QTY.	DESCRIPTION	REF. NO.	PART NUMBER	QTY.	DESCRIPTION
1	2095-722	1	PLENUM INLET HVAC				
2	8050-157	10	WASHER,WROUGHT, #10 3/16,STD,ZN				
3	0090-253	10	SCREW TH PH 10-32 x 1.0 ZN				
4	2075-811	1	FILTER FRESH AIR				
5	2075-812	1	COVER FRESH AIR FILTER				
6	0090-372	3	WASHER WROUGHT 1/4 STD BLK ZN				
7	0090-371	2	WASHER SPRING LOCK 1/4 BLK ZN				
8	0090-369	2	CAPSCREW HH 1/4-20 UNCx.625 GD5 BLK ZN				
9	8102-042	1	CAPSCREW, HH 1/4-20UNC 1" GD8				
10	2075-793	1	PLENUM OUTLET HVAC				
11	2045-895	4	LOUVER				
12	2095-723	1	DUCT				
13	0303-175	2	HOSE,CLAMP,2.75,HI-TORQUE				
14	0090-528	1	DUCT 2.5" , 4'- 0090-331				
15	2046-329	1	LOUVER 2.5" DUCT				
16	2095-883	2	WLMT PILOT LINE COVER				
17	2095-885	2	SEAL PILOT LINE COVER				
18	8050-222	8	WASHER,WROUGHT,1/4,STD,ZN				
19	8102-040	8	CAPSCREW,HH,1/4-20 UNCx.75,GD8 ZN				

**Serial Numbers 00763 to Current
see pages 27C & 28C**



SAFETY DECALS US (ANSI) (Serial #: 00101-Current)

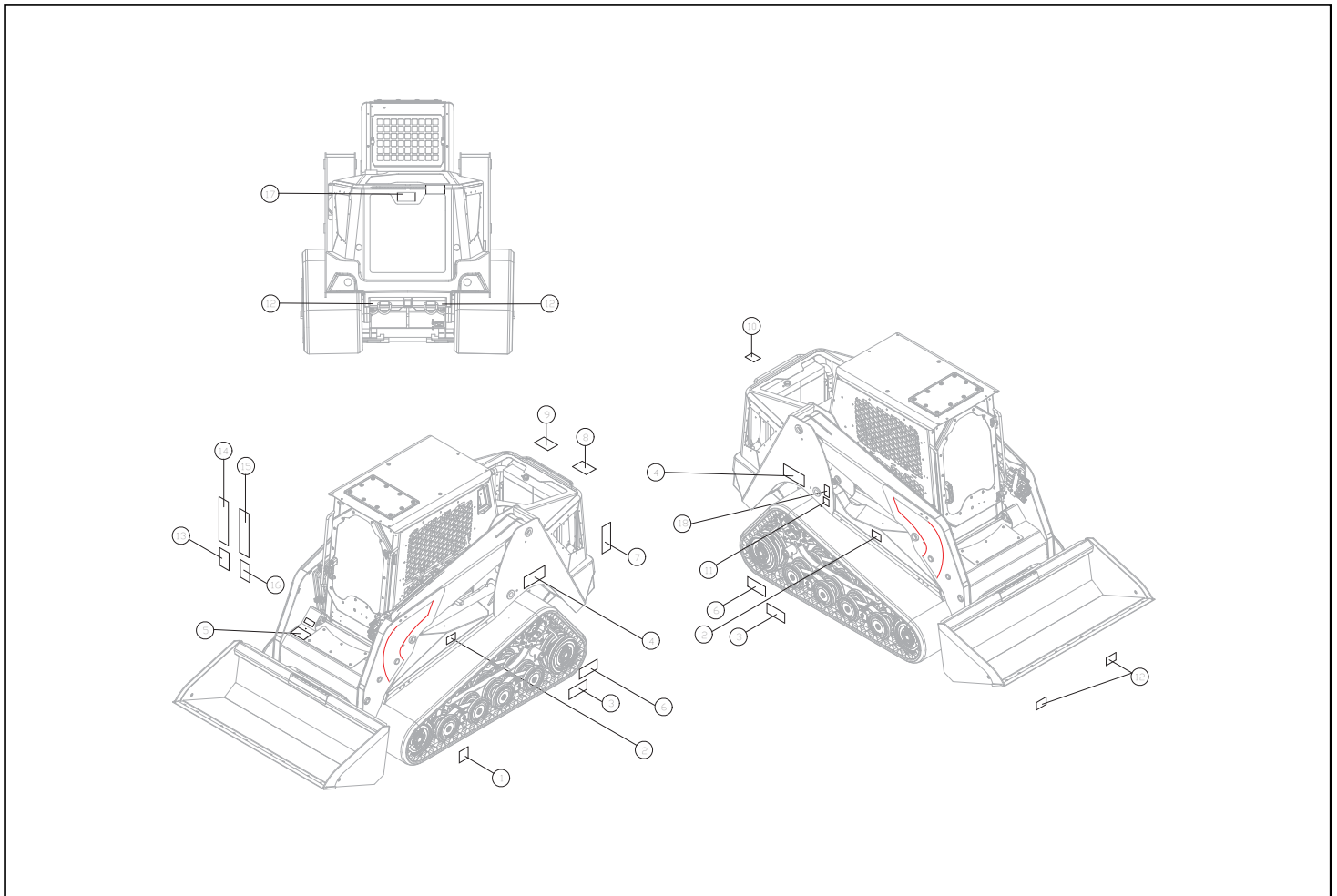
REF. NO.	PART NUMBER	QTY.	DESCRIPTION	REF. NO.	PART NUMBER	QTY.	DESCRIPTION
1	0304-320	1	DECAL, OWNER'S MANUAL				
2	2030-592	2	DECAL ANSI LOADER CRUSH HAZARD				
3	2030-602	2	DECAL ANSI SKIN INJECTION HAZARD				
4	2030-593	2	DECAL ANSI RUN OVER HAZARD				
5	2085-253	2	DECAL ANSI CLEAN UNDERCARRIAGES NOTICE				
6	2030-594	1	DECAL ANSI LIFT ARM BRACE				
7	2030-603	1	DECAL ANSI BATTERY EXPLOSION HAZARD				
8	2030-600	1	DECAL ANSI BELT FAN HAZARD				
9	2030-595	1	DECAL ANSI RADIATOR HAZARD				
10	4046-079	1	DECAL CE HYDRAULIC OIL ONLY				
11	4046-078	1	DECAL DIESEL FUEL ONLY				
12	0310-197	4	DECAL, TIE DOWN 156-5762				
13	2085-251	1	DECAL NOTICE PRE CLEANER PT-100F				
14	2046-299	1	DECAL ANSI O&M FALL FIRE HAZARD				
15	2046-300	1	DECAL ANSI ROLLOVER FALL HAZARD				
16	2076-150	1	DECAL LOADER SWITCH PANEL LEFT PT100G				
17	2076-149	1	DECAL LOADER SWITCH PANEL RIGHT PT100G				
18	2075-959	1	DECAL PRE START PT100				
19	2030-597	1	DECAL ANSI FALL HAZARD (3 POINT ENTRY)				
20	2076-440	1	DECAL PT100G CROWN				
21	7011-205	1	DECAL ANSI DANGER- FUELING				



SAFETY DECALS ROW (ISO) (Serial #: 00101-Current)

Section 31

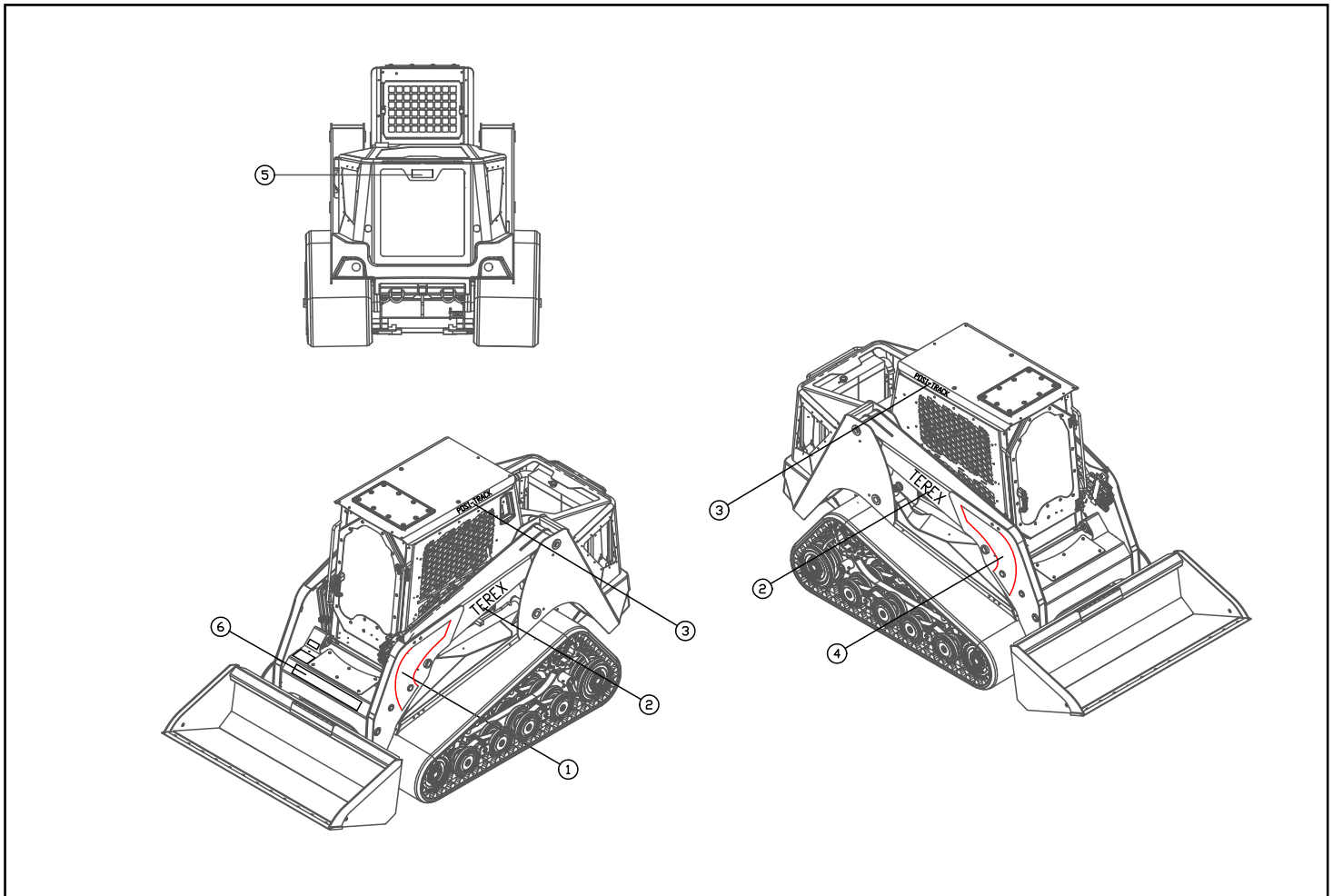
REF. NO.	PART NUMBER	QTY.	DESCRIPTION	REF. NO.	PART NUMBER	QTY.	DESCRIPTION
1	2030-422	1	DECAL MANUAL BOX (NO TEXT)				
2	2030-415	2	DECAL BOOM CRUSH PT (NO TEXT)				
3	2030-553	2	DECAL ISO SAFETY SKIN OIL INJECTION				
4	2030-416	2	DECAL MOVING PARTS (TRACK WARNING)				
5	2030-425	1	DECAL 3 POINT (NO TEXT)				
6	2030-417	1	DECAL LOADER LOCK (NO TEXT)				
7	2030-565	1	DECAL ISO SAFETY BATTERY				
8	2030-551	1	DECAL ISO SAFETY FAN AND BELT				
9	2030-418	1	DECAL ENGINE COMPARTMENT				
10	4046-079	1	DECAL CE HYDRAULIC OIL ONLY				
11	4046-078	1	DECAL DIESEL FUEL ONLY				
12	0310-197	4	DECAL, TIE DOWN 156-5762				
13	2076-149	1	DECAL LOADER SWITCH PANEL RIGHT PT100G				
14	2046-146	1	DECAL READ O&M / 2 SPEED (NO TEXT)				
15	2046-147	1	DECAL WARNING				
16	2076-150	1	DECAL LOADER SWITCH PANEL LEFT PT100G 6				
17	2076-440	1	DECAL PT100G CROWN				
18	0404-543	1	DECAL ISO ULSD FUEL HANDLING PRECAUTIONS				



MACHINE GRAPHICS (Serial #: 00101-Current)

Section 32

REF. NO.	PART NUMBER	QTY.	DESCRIPTION	REF. NO.	PART NUMBER	QTY.	DESCRIPTION
1	2075-964	1	DECAL LOADER LEFT FRONT				
2	2075-965	2	DECAL LOADER LEFT/RIGHT REAR				
3	2030-334	1	DECAL POSI TRACK				
4	2075-963	1	DECAL LOADER RIGHT FRONT				
5	2076-440	1	DECAL PT100G BACK CROWN				
6	2075-966	1	DECAL LIFT ARM CROSSMEMBER FRONT				





ASV Holdings Inc.

840 Lily Lane

Grand Rapids, MN 55744

1-800-205-9913

www.asvi.com